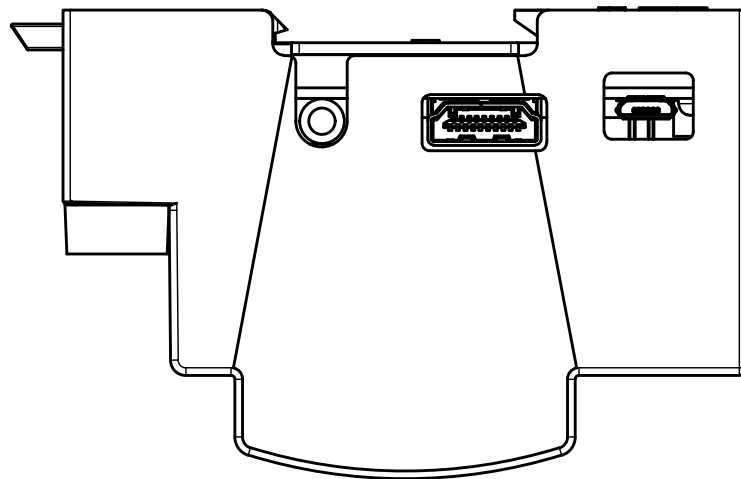
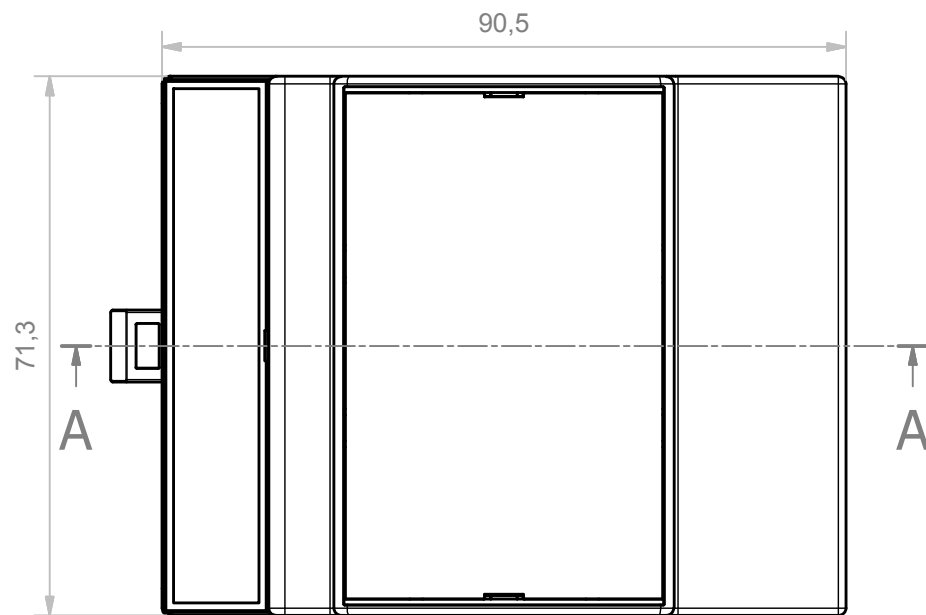
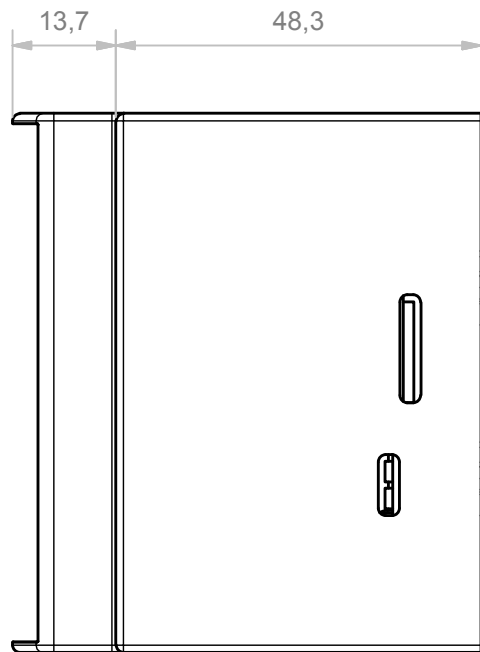
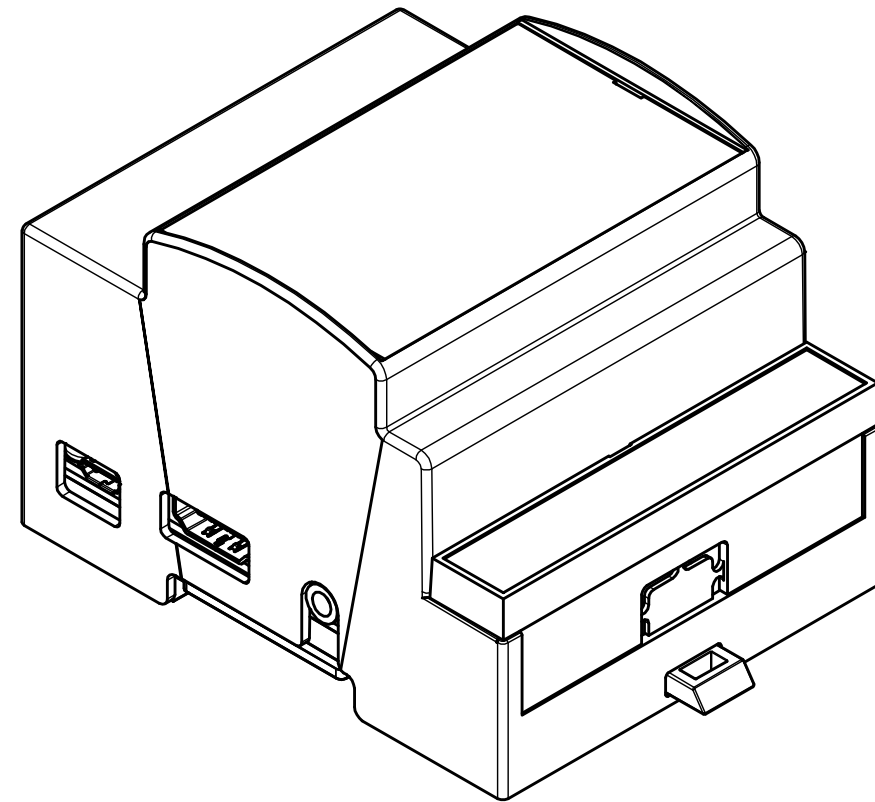
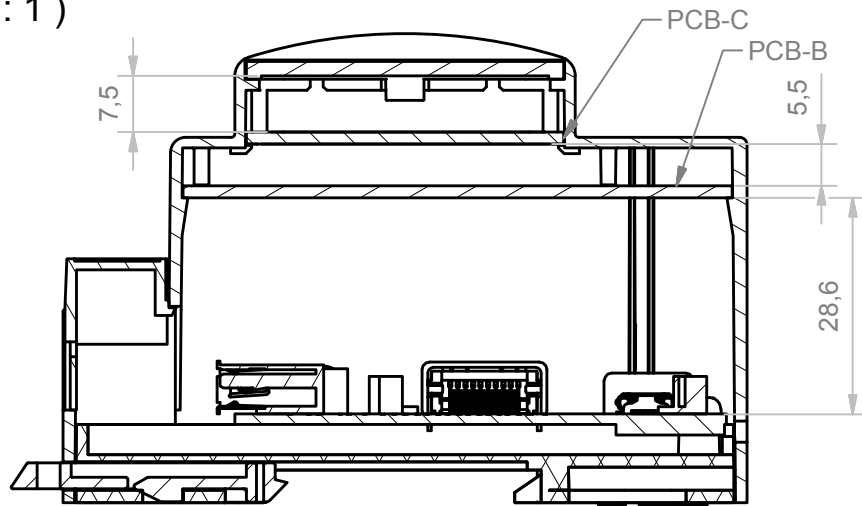


PCB TYPE	PCB DIMENS	TOLERANCE
B	67.6X72.6	±0,1 mm
C	67.4X42.0	±0,1 mm

A-A (1:1)



COMPONENTS LIST						
RIF.	Q.TY	DESCRIPTION	CODE			
1	1	AGGANCI MODULBOX LUNGO- HOOK MODULBOX LONG	P05990002A			
2	1	Base 4M XT Raspberry B+/A+/Odroid	M-05556			
3	1	Corpo 4MH53-B XTS Raspberry A+ - Body 4MH53-B XTS Raspberry A+	M-05838			
4	1	PANNELLO 4M SENZA CORNICE - PANEL 4M WITHOUT FRAME	M-00346			
5	1	coprimorsetto 4MPN per Raspberry A+ - Terminalcover 4MPN for Raspberry A+	M-05837			
6	2	VITE d 2.9X6.5 TRONCA - SCREW 2.9X6.5 d TRUNC	PM10012021			
		Da 0,5 a 3	Oltre 3 fino a 6	Oltre 6 fino a 30	Oltre 30 fino a 120	Oltre 120
		± 0,1	± 0,1	± 0,2	± 0,3	± 0,5

RESERVED PROPERTY The present drawing cannot be reproduced or communicated to 3d parties, even partially, without the authorization of ITALTRONIC Srl. Italtronic reserves to protect its own rights according to the law.	Dimension in mm	SHEET NR.	DRAWING BY	GENERAL TOLERANCE
		1 / 1	GAD Manual modification are not allowed	UNI EN 22768/1 Media (m)
Date:	09/02/2015	Replace nr.		
Drawed:	Rigato N.	Checked:	Dalla Montà D.	Scale:

5	4	3	2	1
Revision description				

Denomination: **Kit 4M XTS Raspberry A+**

UN PARTNER PER IL FUTURO

**ITALTRONIC S.R.L.**  
VIA AUSTRIA 25/D 35127  
PADOVA - ITALY  
www.italtronic.com

Drawing nr. **M-05854-00**