

ACT20P
ACT20P-CI-VO-P

Weidmüller Interface GmbH & Co. KG
Klingenbergstraße 16
D-32758 Detmold
Germany
Fon: +49 5231 14-0
Fax: +49 5231 14-292083
www.weidmueller.com

Similar to illustration**ACT20P: The flexible solution**

- Precise and highly functional signal converters
- Simple configuration via display (Pro DCDC II), FDT/DTM software or DIP switch
- Release levers simplify handling
- More space in the control cabinet, from 12.5 mm wide for two channels

General ordering data

Type	ACT20P-CI-VO-P
Order No.	2489740000
Version	Signal converter/isolator, Input : 0(4)-20 mA, Output : 0-10 V
GTIN (EAN)	4050118535181
Qty.	1 pc(s).

ACT20P
ACT20P-CI-VO-P

Weidmüller Interface GmbH & Co. KG
 Klingenbergstraße 16
 D-32758 Detmold
 Germany
 Fon: +49 5231 14-0
 Fax: +49 5231 14-292083
 www.weidmueller.com

Technical data**Dimensions and weights**

Width	12.5 mm	Width (inches)	0.492 inch
Height	117.2 mm	Height (inches)	4.614 inch
Depth	113.7 mm	Depth (inches)	4.476 inch
Weight	110 g	Net weight	120 g

Temperatures

Humidity	5...95 %, no condensation	Operating temperature, max.	60 °C
Operating temperature, min.	-20 °C	Storage temperature, max.	85 °C
Storage temperature, min.	-40 °C	Operating temperature	-20 °C...60 °C
Storage temperature	-40 °C...85 °C		

Environmental Product Compliance

REACH SVHC	Lead 7439-92-1
------------	----------------

Input

Number of inputs	1	Sensor supply	> 17 V DC at 20 mA
Input signal	2-/3-wire transmitter, Current source	Input current	0...20 mA, 4...20mA
Voltage drop	≤ 1 V		

Output

Number of outputs	1	Output voltage, note	0...10 V, 2...10 V
load impedance voltage	≥ 600 kΩ		

General data

Accuracy	±0,1 % FSR max., 0,05 % FSR typ.	Configuration	none
Current consumption	≤60 mA (24V power supply, 20mA output)	Galvanic isolation	3-way isolator, between input/output/supply
Rail	TS 35	Step response time	≤ 0,5 ms
Temperature coefficient	80 ppm/K	Voltage supply	20...30 V DC

Insulation coordination

EMC standards	EN 61326-1	Galvanic isolation	3-way isolator, between input/output/supply
Impulse withstand voltage	4 kV (1.2/50 μs)	Insulation voltage	2 kV inputs / outputs / power supply
Pollution severity	2	Surge voltage category	III
Test voltage	300 V		

Connection data

Type of connection	PUSH IN	Tightening torque, min.	0.4 Nm
Tightening torque, max.	0.6 Nm	Clamping range, rated connection	0.6 mm ²
Clamping range, min.	0.5 mm ²	Clamping range, max.	2.5 mm ²
Wire connection cross section AWG, min.	AWG 30	Wire connection cross section AWG, max.	AWG 14

Data sheet

**ACT20P
ACT20P-CI-VO-P**

Weidmüller Interface GmbH & Co. KG
 Klingenbergstraße 16
 D-32758 Detmold
 Germany
 Fon: +49 5231 14-0
 Fax: +49 5231 14-292083
 www.weidmueller.com

Technical data

Classifications

ETIM 6.0	EC002653	eClass 6.2	27-21-01-07
eClass 9.0	27-21-01-20	eClass 9.1	27-21-01-90

Product information

Product information

The fixed DC repeater ACT20P-CI-VO isolates analogue standard current signals from a power source or from a 2- or 3-wire sensor. An analogue input current signal is converted linear and galvanic isolated into an analogue output voltage signal. The power supply is galvanically isolated from input and output (3-way isolation).

Features

- The active or passive mA current signal inputs are completely electrically isolated.
- Front LED indicates operation status.
- 3-way galvanic isolation between input, output and power supply

Approvals

Approvals



Approvals

CULUS;

Downloads

Approval/Certificate/Document of Conformity	Declaration of Conformity
User Documentation	Instruction sheet

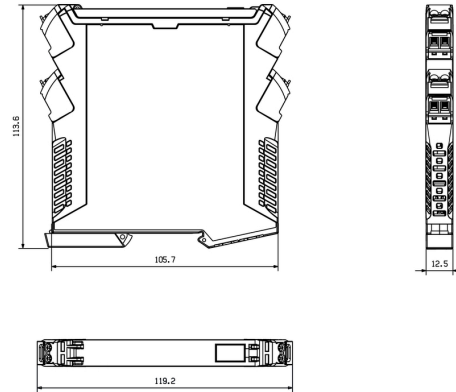
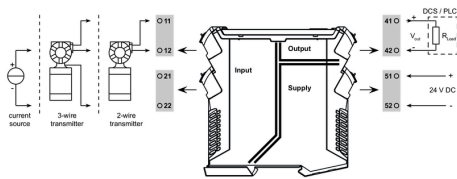
Data sheet

**ACT20P
ACT20P-CI-VO-P**

Weidmüller Interface GmbH & Co. KG
 Klingenbergstraße 16
 D-32758 Detmold
 Germany
 Fon: +49 5231 14-0
 Fax: +49 5231 14-292083
 www.weidmueller.com

Drawings

Dimensioned drawing, Similar to illustration



Similar to illustration



**PUSH IN
technology**

