

## Modular PCB terminal block; 2 solder pins/pole; 1-pole; pin spacing 5/5.08 mm / 0.2 in

Item No.: 236-747



Modular PCB terminal block; 2 solder pins/pole; 1-pole; pin spacing 5/5.08 mm / 0.2 in

### Marking

RoHS ✓  
Compliant

### Business data

Supplier	WAGO
Item no.	236-747
GTIN / EAN	4044918774536
Content	1
Order amount	100
Customer item number	

### Notes

Modular terminal blocks with CAGE CLAMP® connection, screwdriver actuation parallel or perpendicular to conductor entry Also available with Ex e approval For custom terminal strip assemblies Operating tools for factory wiring 45° connection angle permits a wide range of uses and wiring options Set to metric or inch pin spacing by compressing terminal strips together or pulling them apart

### Technical data

#### Miscellaneous

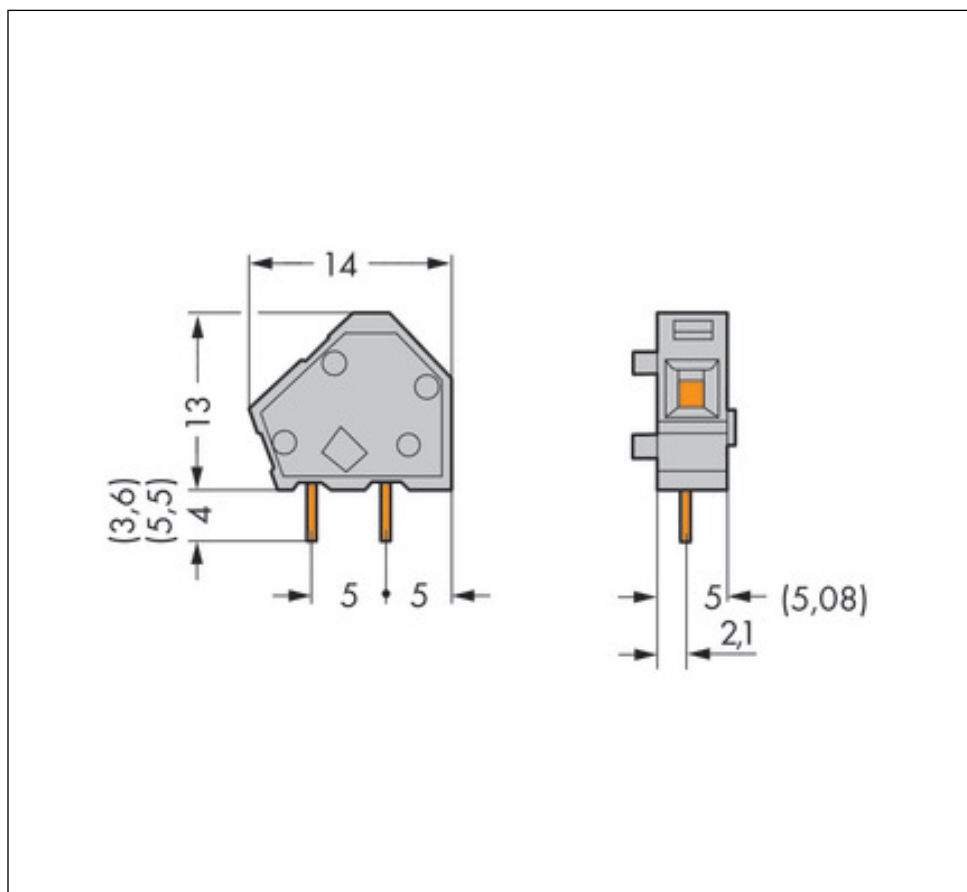
No. of poles	1
Pin spacing	5/5.08 mm / 0.2 in
Total number of connection points	1
Total number of potentials	1
Color	light green
Ratings according to 1	IEC/EN 60664-1

<b>Technical data</b>	
Overvoltage category EN 1	III
Pollution degree (1)	2
Rated voltage EN (1) [V]	320 [V]
Rated surge voltage (1) [kV]	4 [kV]
Nominal current [A]	24 [A]
Overvoltage category EN 2	II
Degree of pollution (2)	2
Rated voltage EN (2) [V]	630 [V]
Rated surge voltage (2) [kV]	4 [kV]
Nominal current (2) [A]	24 [A]
Overvoltage category EN 3	III
Degree of pollution (3)	3
Rated voltage EN (3) [V]	250 [V]
Rated surge voltage (3) [kV]	4 [kV]
Nominal current (3) [A]	24 [A]
Number of individual connection objects at the product	1
Connection technology (1)	CAGE CLAMP®
Solid sizes 1	0.08 ... 2.5 mm <sup>2</sup> / 28 ... 12 AWG
Fine-stranded wires 1	0.08 ... 2.5 mm <sup>2</sup> / 28 ... 12 AWG
Fine-stranded wires with insulated ferrule 1	0.25 ... 1.5 mm <sup>2</sup> / ...
Fine-stranded wires with uninsulated ferrule 1	0.25 ... 1.5 mm <sup>2</sup> / ...
Strip length 1	5 ... 6 mm / 0.2 ... 0.24 in
Conductor entry angle to the PCB 1 [°]	45 [°]
Type of wiring	Front-/Side-entry wiring
Solder pin arrangement	in line
Solder pin length [mm]	4 [mm]
Solder pin width A [mm]	0.7 [mm]
Solder pin width B [mm]	0.7 [mm]
Drilled hole diameter (tolerance) [mm]	1.1(+ 0.1) [mm]
Material group	I
Insulating material	Polyamide 66 (PA 66)
Flammability rating per UL 94	V0
Limit temperature range	-60 C ... 105 C
Clamping spring material	Chrome-nickel spring steel (CrNi)

<b>Technical data</b>	
<i>Contact material</i>	<i>Electrolytic copper (Ecu)</i>
<i>Contact plating</i>	<i>tin-plated</i>
<i>Fire load [MJ]</i>	<i>0.012 [MJ]</i>
<i>Weight [g]</i>	<i>0.874 [g]</i>
<i>Width</i>	<i>7.2 mm / 0.283 in</i>
<i>Height</i>	<i>17 mm / 0.669 in</i>
<i>Height from the surface</i>	<i>13 mm / 0.512 in</i>
<i>Length</i>	<i>14 mm / 0.551 in</i>

Images & drawings





#### Address

WAGO Kontakttechnik GmbH & Co. KG

Hansastr. 27

32423 Minden

Telefon: 0571/887-0

Fax: 0571/887-169

<http://www.wago.com>

© WAGO Kontakttechnik GmbH & Co. KG

Technische Änderungen und Irrtümer vorbehalten.