

THIS DRAWING IS UNPUBLISHED.

RELEASED FOR PUBLICATION

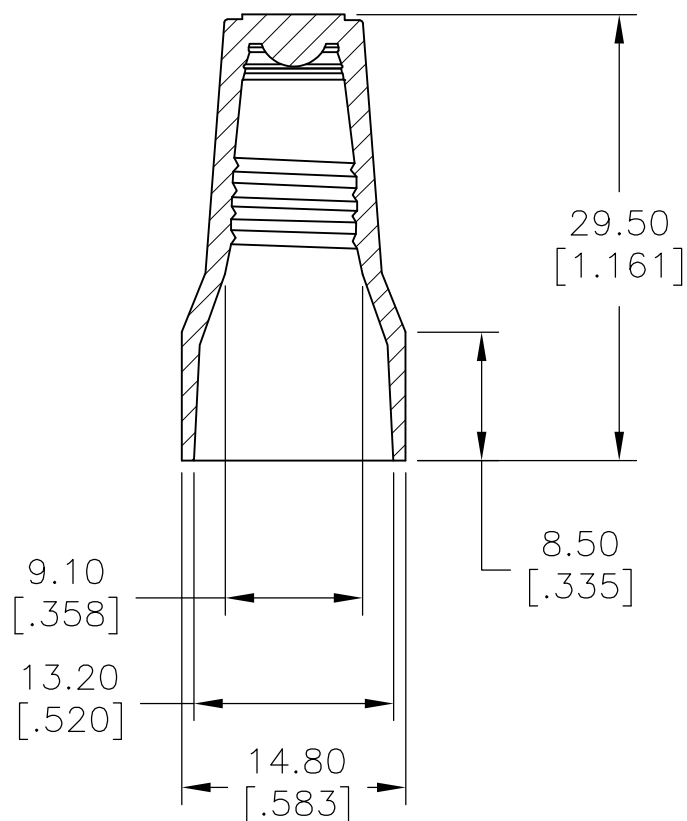
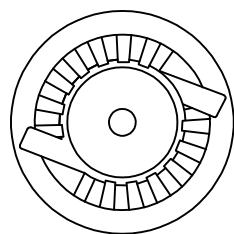
--,--

ALL RIGHTS RESERVED.

© COPYRIGHT - By -

REVISIONS

P	LTR	DESCRIPTION	DATE	DWN	APVD
	A	NEW DRAWING	13JAN2016	NK	RH



- 1 WORKING TEMPERATURE: 105° C
- 2 VOLTAGE: 600V MAX.
- 3 COLOR: RED
- 4 WIRE RANGE: #22-#6AWG MAX.1#8  
W/3#12 STR MIN.3#20
- 5 SPRING INSERT: STEEL

2299512-1 AS SHOWN

THIS DRAWING IS A CONTROLLED DOCUMENT.		DWN NAGALAKSHMI K 13JAN2016	TE Connectivity				
DIMENSIONS: mm [INCHES]		CHK HILL RYAN 13JAN2016					
TOLERANCES UNLESS OTHERWISE SPECIFIED:		APVD HILL RYAN 13JAN2016	NAME				
<ul style="list-style-type: none"> <li>0 PLC ± -</li> <li>1 PLC ± 0.2[.007]</li> <li>2 PLC ± 0.4[.015]</li> <li>3 PLC ± -</li> <li>4 PLC ± -</li> <li>ANGLES ± -</li> </ul>		PRODUCT SPEC	CPGI-WC-CG-RD-BULK				
MATERIAL UL 94V-2 FLAME-RETARDANT THERMOPLASTIC SHELL		FINISH -	APPLICATION SPEC	SIZE	CAGE CODE	DRAWING NO	RESTRICTED TO
		WEIGHT -		A3	00779	C-2299512	-
CUSTOMER DRAWING			SCALE	SHEET	REV		
			2:1	1 OF 1	A		