

THIS DRAWING IS UNPUBLISHED.

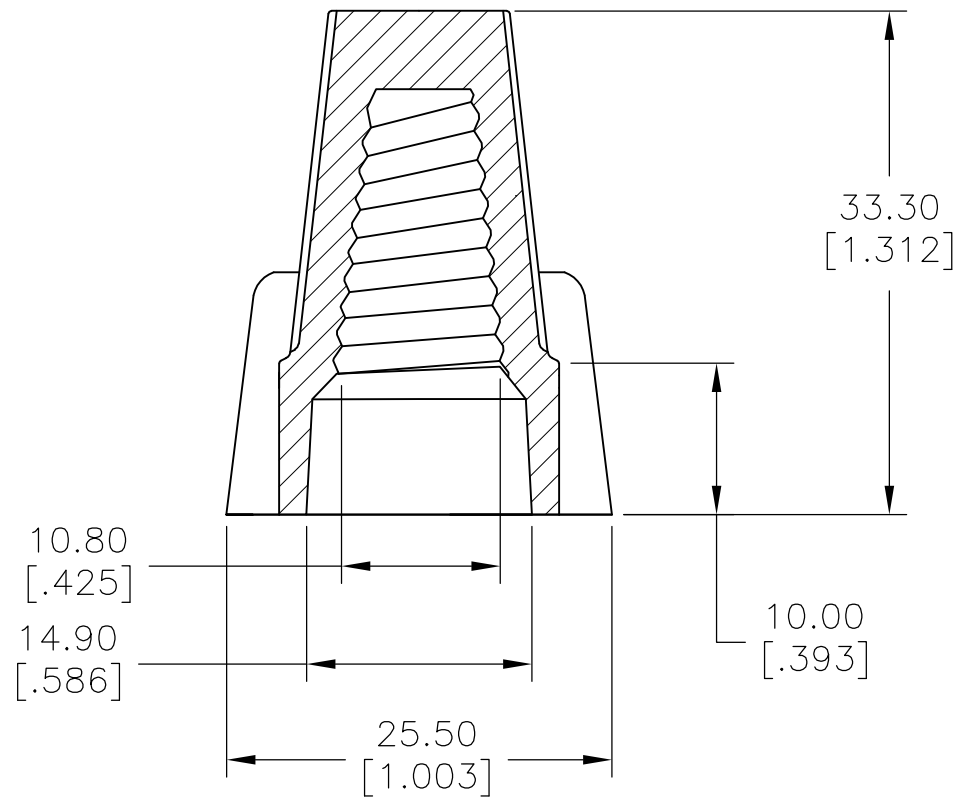
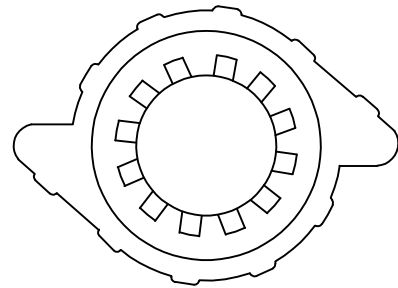
RELEASED FOR PUBLICATION

ALL RIGHTS RESERVED.

© COPYRIGHT - By -

REVISIONS

P	LTR	DESCRIPTION	DATE	DWN	APVD
	A	NEW DRAWING	14JAN2016	NK	RH



- 1 WORKING TEMPERATURE: 105° C
- 2 VOLTAGE: 600V MAX.
- 3 COLOR: GREY
- 4 WIRE RANGE: #18-#8 AWG MAX.3#10 MIN.3#14 W/1 #18
- 5 SPRING INSERT: STEEL

2299509-1 AS SHOWN

THIS DRAWING IS A CONTROLLED DOCUMENT.		DWN NAGALAKSHMI K 14JAN2016	TE Connectivity		
DIMENSIONS: mm [INCHES]		CHK HILL RYAN 14JAN2016			
		APVD HILL RYAN 14JAN2016	CPGI-WC-TG-GR-BULK		
TOLERANCES UNLESS OTHERWISE SPECIFIED:		PRODUCT SPEC	RESTRICTED TO		
0 PLC ± -		APPLICATION SPEC	SIZE	CAGE CODE	DRAWING NO
1 PLC ± 0.2[.007]		WEIGHT	A3	00779	C-2299509
2 PLC ± 0.4[.015]		CUSTOMER DRAWING			
3 PLC ± -		SCALE	SHEET		REV
4 PLC ± -		2:1	1 OF 1		A
ANGLES ± -					
MATERIAL TOUGH THERMOPLASTIC UL 94V-2 FLAME-RETARDANT					