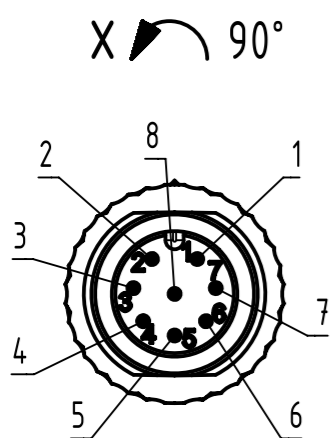


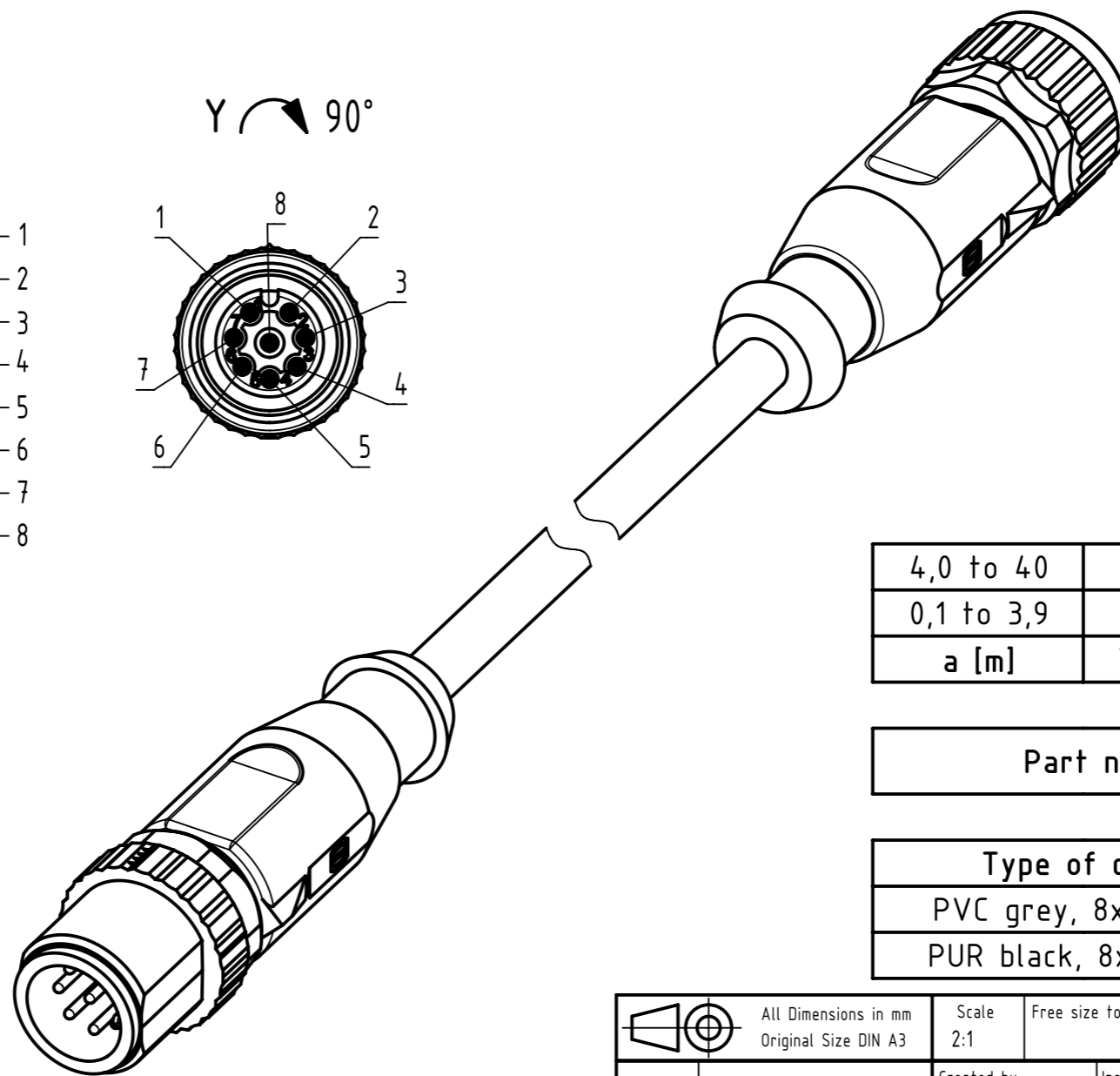
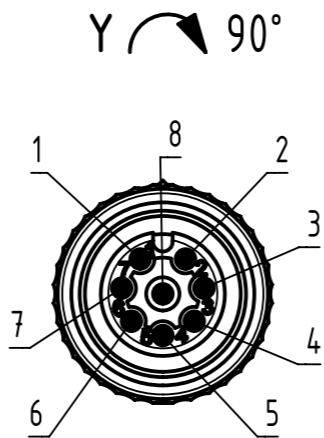
M12 A-coded 8-pole, male straight connector

M12 A-coded 8-pole, female straight connector



Loading-Plan:

- | | | |
|---|--------|---|
| 1 | white | 1 |
| 2 | brown | 2 |
| 3 | green | 3 |
| 4 | yellow | 4 |
| 5 | grey | 5 |
| 6 | pink | 6 |
| 7 | blue | 7 |
| 8 | red | 8 |



length in "1m" step	40	XXX=400
	39	XXX=390
	.	.
	12	XXX=120
length in "0,1m" step	11	XXX=110
	10	XXX=100
	9,9	XXX=099
	9,8	XXX=098
	.	.
Step	0,4	XXX=004
	0,3	XXX=003
	0,2	XXX=002
	0,1	XXX=001
	a [m]	XXX,

4,0 to 40	+1%
0,1 to 3,9	+0,04
a [m]	Tolerance

Part no.	213484858XXXXX
----------	----------------

Type of cable	XX
PVC grey, 8x0.25mm ²	XX=82
PUR black, 8x0.25mm ²	XX=70

- Protection level: IP67
 - Temperature range: -25°C ... +80°C

All rights reserved Department EC PD - RO		All Dimensions in mm Original Size DIN A3	Scale 2:1	Free size tol.	Ref. Sub.
HARTING Electronics GmbH D-32339 Espelkamp	Created by POPESCU	Inspected by AVRAM	Standardisation HOFFMANN	Date 2015-12-02	State Final Release
Title M12 A-coded Cable Assembly				Doc-Key / ECM-Nr. 100578827/UGD/009/D 50000097918	
Type TB		Number 213484858XXXXX		Rev. D	Page 1/1