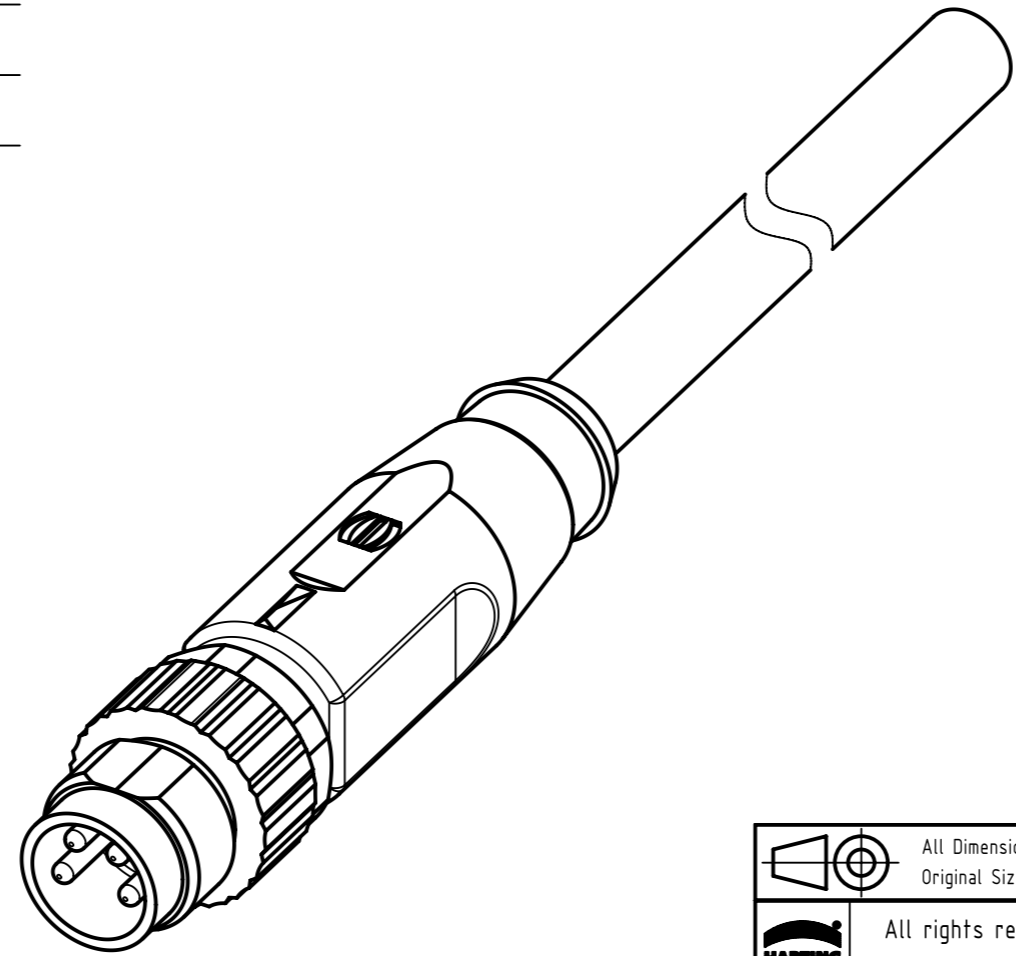


Loading-Plan:

- 1 brown
- 2 white
- 3 blue
- 4 black

- Protection level: IP67
 - Temperature range: -25°C ... +80°C



length in "1m" step	40	XXX=400
	39	XXX=390
	.	.
	12	XXX=120
	11	XXX=110
length in "0.1m" step	10	XXX=100
	9.9	XXX=099
	9.8	XXX=098
	.	.
	0.4	XXX=004
	0.3	XXX=003
	0.2	XXX=002
	0.1	XXX=001
Step	a [m]	XXX

4.0 to 40	+1%
0.1 to 3.9	+0.04
a [m]	Tolerance

Part no.	213480004XXXXX
----------	----------------

Type of cable	XX
PVC grey, 4x0.25mm ²	XX=81

All rights reserved Department EC PD - RO HARTING Electronics GmbH D-32339 Espelkamp	All Dimensions in mm Original Size DIN A3	Scale 2:1	Free size tol.	Ref. Sub.
	Created by TAMAS	Inspected by AVRAM	Standardisation HOFFMANN	Date 2014-07-01
Title M8 Cable Assembly				Doc-Key / ECM-Nr. 100577961/UGD/009/A 500000076586
Type TB		Number 213480004XXXXX		Rev. A
				Page 1/1