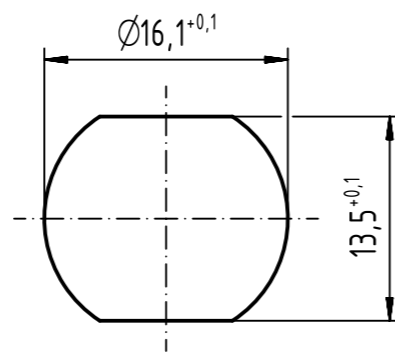
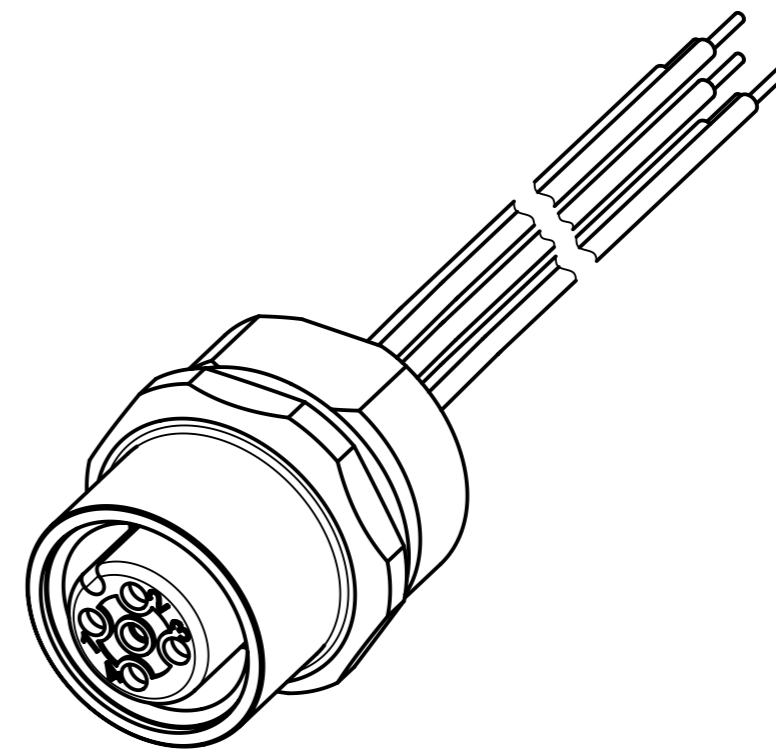


- Loading-Plan:
- 1 brown
 - 2 white
 - 3 blue
 - 4 black
 - 5 green-yellow

Recommended panel cut-out



Minimum wall thickness 1.5mm



- Protection level: IP67
- Temperature range: -30°C ... +80°C

				All rights reserved Department EC PD - RO HARTING Electronics GmbH D-32339 Espelkamp		All Dimensions in mm Original Size DIN A3		Scale 2:1	Free size tol.	Ref. Sub.	
2	21033176510	AWG 24, PVC		1		Created by	Inspected by	Standardisation	Date	State	
1	21033176505					TAMAS	AVRAM	HOFFMANN	2015-12-11	Final Release	
Cont. No.	Part - no.	Type of cable		Dim. a[m]		Title		Number		Doc-Key / ECM-Nr. 100581416/UGD/009/C 50000098335 Rev. C Page 1/1	
				0.5		Type	210331765XX				