

# Technical data sheet

## Cable gland, PG thread, set with locknut, light grey

Art.-Nr. 2024673



The quickest and most convenient way of providing strain relief and tightness with cable glands on junction boxes and housings is with the tried-and-trusted V-TEC VM cable glands from OBO. With the integrated sealing lip and the special OBO slat technology, protection class IP68 is achieved. Strain relief and tightness have been tested to DIN EN 62444.

The connecting threads of the cable glands are metric or PG and are therefore suitable for universal use. Once screwed in place, the installation is there forever, as the optimum thread adjustment with the right pitch ensures permanent resistance to shaking.

Applications: From private housing with junction boxes up to industrial applications in the distributor cabinet.

Temperature range: -20 °C to +65 °C.



**PA** Polyamide

Product additional text 1

Table column D1: sealing range to VDE 0619, in which no strain relief is required.

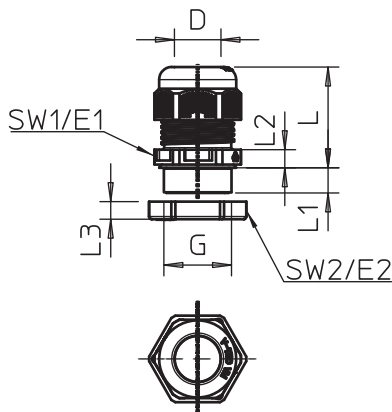
Product additional text 2

Table column D2: sealing range including strain relief and twist protection to VDE 0619

### Master data

Item No.	2024673
Type	V-TEC PG48+ LGR
Description 1	Cable gland
Description 2	with locknut
Dimension	PG48
Colour	Light grey
RAL number	7.035,00
Material	Polyamide
Material symbol	PA
Smallest sales unit	5,00 pcs
Weight	11,29 kg/100 pcs.

### Technical specifications



Dimension E1	74,00 mm
Dimension E2	78,00 mm
Dimension L min.	42,00 mm
Dimension L max.	58,00 mm
Dimension L1	14,00 mm
Dimension L2	9,00 mm
Dimension L3	8,00 mm
SW 1	65,00 mm
SW 2	70,00 mm
Version	Straight
Type of seal	Sealing ring
Bend protection	<input checked="" type="checkbox"/>
Sealing range D	30,00 - 44,00 mm
Sealing range D	1,42 - 1,73 in
explosion-proof	<input checked="" type="checkbox"/>
Flat cable threaded connection	<input checked="" type="checkbox"/>
For Ex zone	Without
For Ex zone gas	Without
For Ex zone dust	Without
Thread	Pg 48

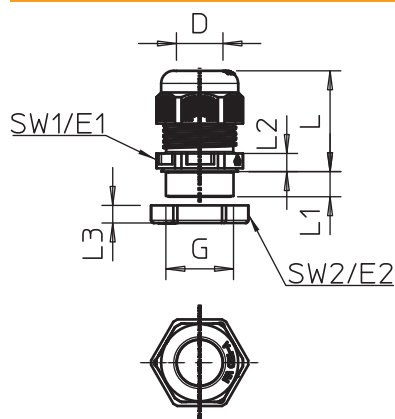
# Technical data sheet

Cable gland, PG thread, set with locknut, light grey

Art.-Nr. 2024673



## Technical specifications



Thread type	PG
Thread length	14,00 mm
Thread increase	1,50 mm
Nominal thread size	48,00
Glass-fibre reinforced	<input checked="" type="checkbox"/>
Halogen-free	<input checked="" type="checkbox"/>
Multiple sealing insert	<input checked="" type="checkbox"/>
With locknut	<input checked="" type="checkbox"/>
Impact resistant	<input checked="" type="checkbox"/>
Hexagonal corner dimension	74,00 mm
Protection rating	IP68
Splittable gland	<input checked="" type="checkbox"/>
Strain relief and wringing protection D2	30,00 - 44,00 mm
Strain relief option	<input checked="" type="checkbox"/>