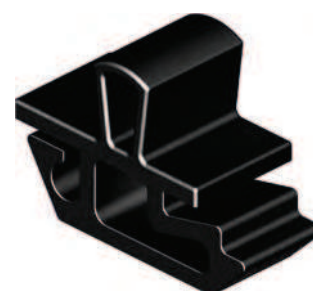
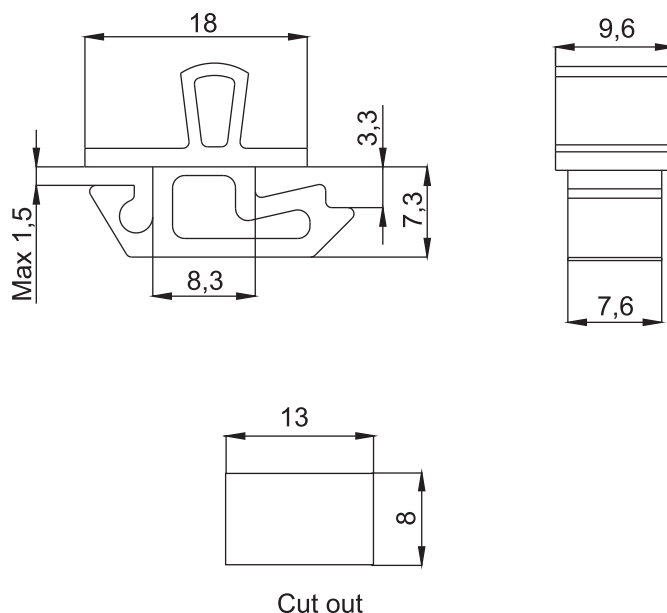


LOCKS
2

Closing snap :

- 5.509.001A dedicated to sheet thickness 1,2 mm-1,6 mm
- 5.509.001B dedicated to sheet thickness 1,75 mm-2,2 mm

CATALOGUE NUMBER	DIMENSION [H]	COMPONENTS	MATERIAL
2.509.001A	1,8	Housing	Polyamide
2.509.001B	2,5	Housing	Polyamide



Closing snap:

- 5.509.002 dedicated to sheet thickness 1 mm - 1,5 mm

CATALOGUE NUMBER	FINISH	COMPONENTS	MATERIAL
2.509.002	-	Housing	Polyamide