

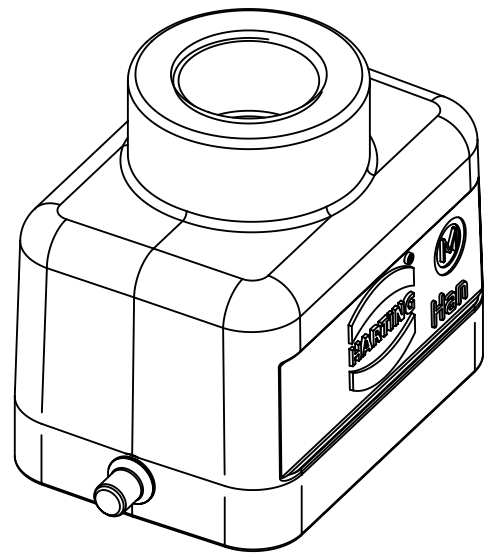
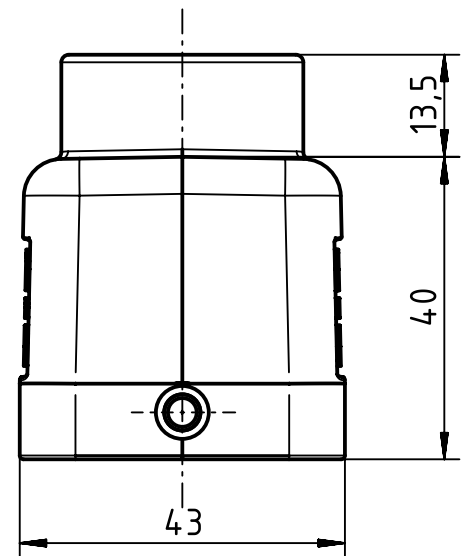
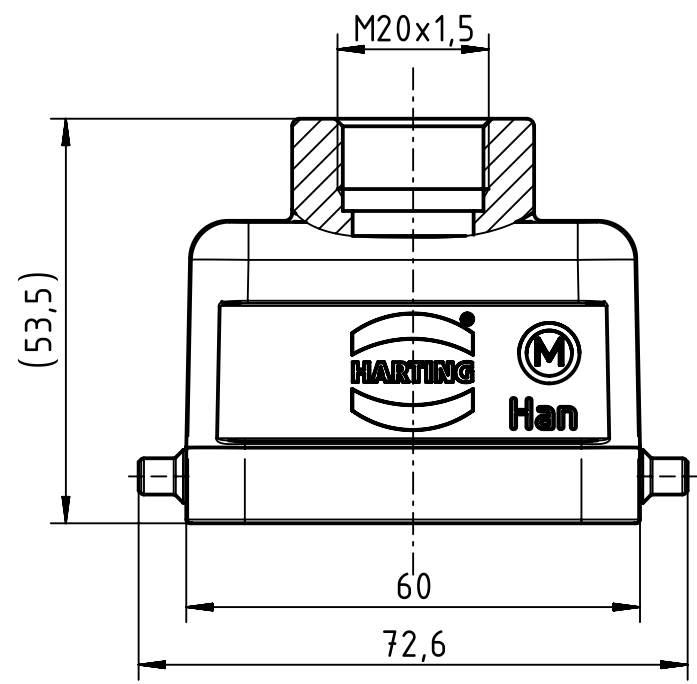
1 2 3 4 5 6


A

B

C

D



	All rights reserved Department EL PD - DE	All Dimensions in mm Original Size DIN A4			Scale 1:1	Free size tol.	Ref. Sub.
		HARTING Electric GmbH & Co. KG D-32339 Espelkamp	Created by FINKEV	Inspected by BERGHORN	Standardisation SCHMIDTM	Date 2015-08-18	State Final Release
		Title Han 6EMC/B-HTE-M20 (HT)				Rev. D	
		Type TB	Number 19 62 806 1440			Page 1/1	