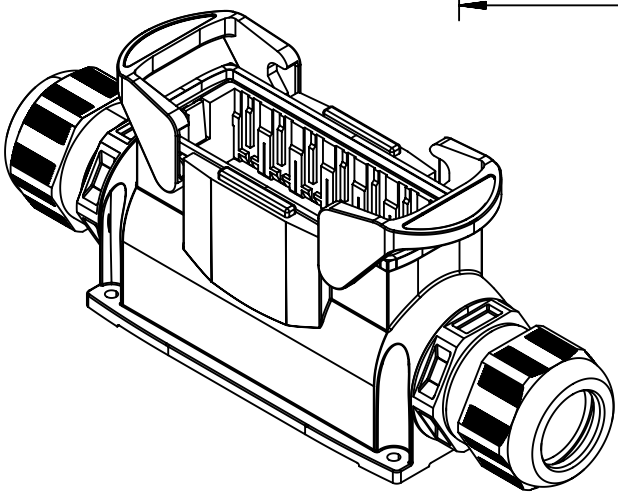
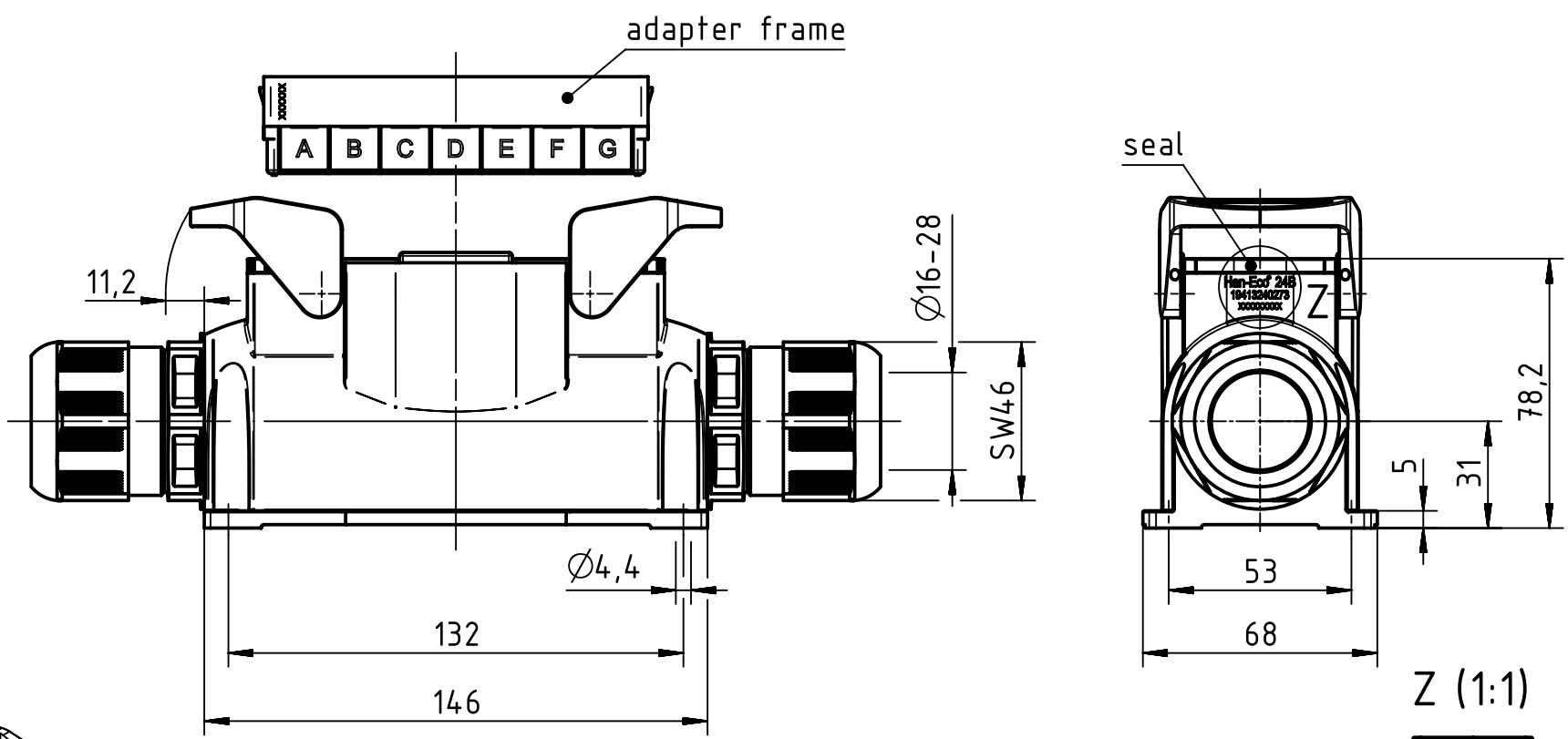


1 2 3 4 5 6

A
B
C
D



Z (1:1)
Han-Eco® 24B
19413240273
 xxxxxxxx

adapter frame and cable glands are enclosed

	All Dimensions in mm Original Size DIN A4		Scale 1:2	Free size tol.		Ref.
						Sub.
	All rights reserved		Created by DICK	Inspected by HERBRECHTSME	Standardisation TIEMANNA	Date 2016-02-29
	Department EL PD - DE					State Final Release
HARTING Electric GmbH & Co. KG D-32339 Espelkamp			Title Han-Eco 24B asg2 M40 outdoor w. gland			Doc-Key / ECM-Nr. 100222557/UGD/006/E 500000096768
			Type TB	Number 19 41 324 0273		Rev. E Page 1/1