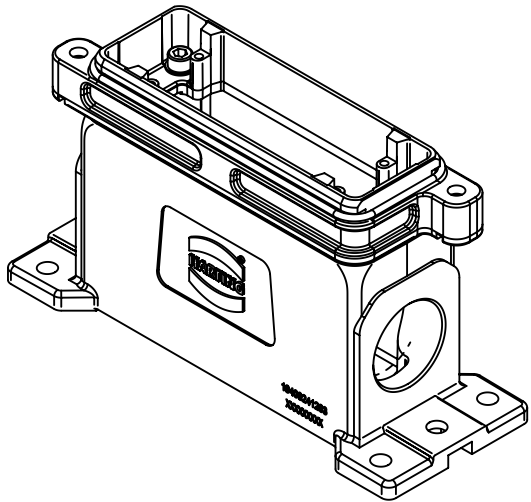
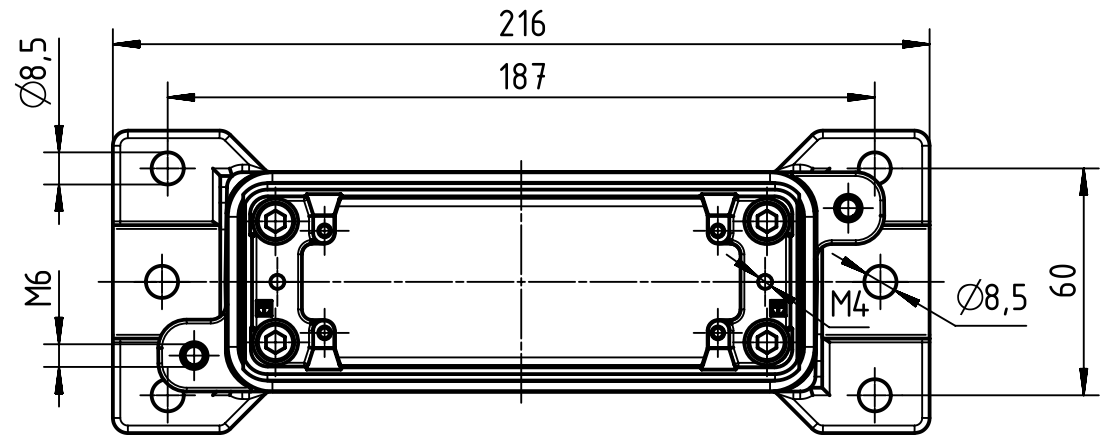
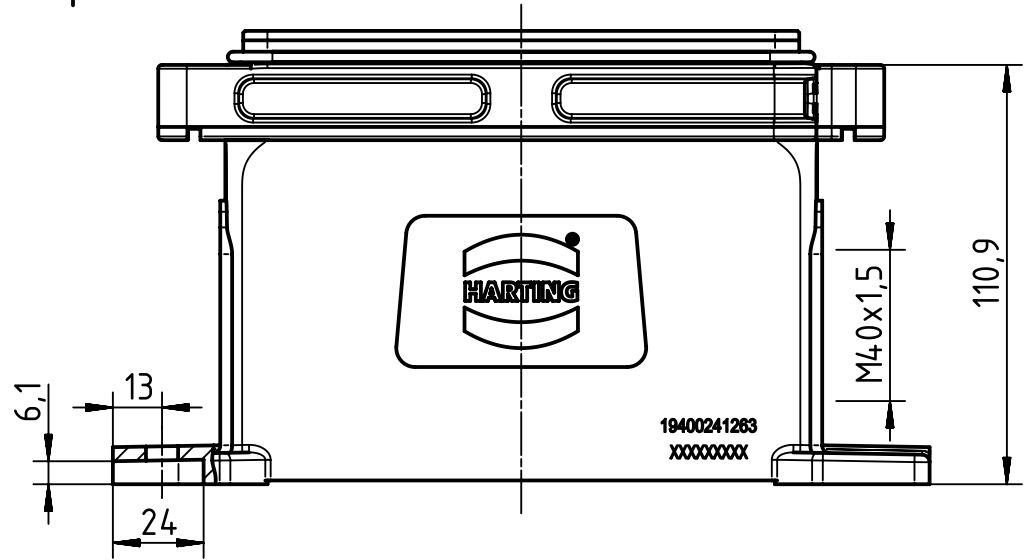
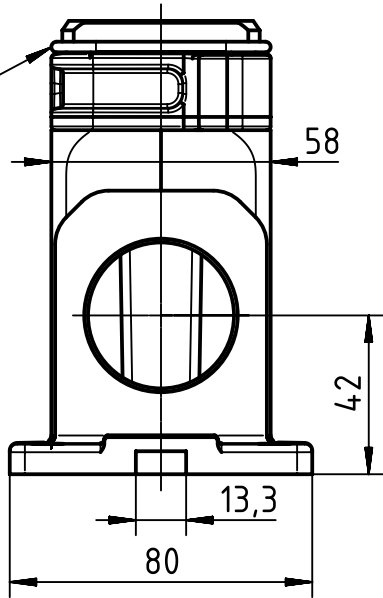



seal



	All Dimensions in mm Original Size DIN A4		Scale 1:2	Free size tol.		Ref. Sub. TB 19 40 024 1263 v. 16.08.11	
	All rights reserved Department EL PD - DE		Created by RULLKOETTER	Inspected by BERGHORN	Standardisation TIEMANNA	Date 2014-07-17	State Final Release
HARTING Electric GmbH & Co. KG D-32339 Espelkamp			Title Han 24HPR-HSM-1xM40-Screw Lock			Doc-Key / ECM-Nr. 100212745/UGD/004/B 500000077550	
			Type TB	Number 19 40 024 1263		Rev. B	Page 1/1