

key cap  
(to be ordered separately)

keymodule 6425.1101  
(to be ordered separately)

recommended dimensions of LED  
(to be ordered separately)

ø2.9 - 3.4

ø2.8 - 3.2

~4.8

~1

~4.8

~1

~4.8

~1

~4.8

~1

~4.8

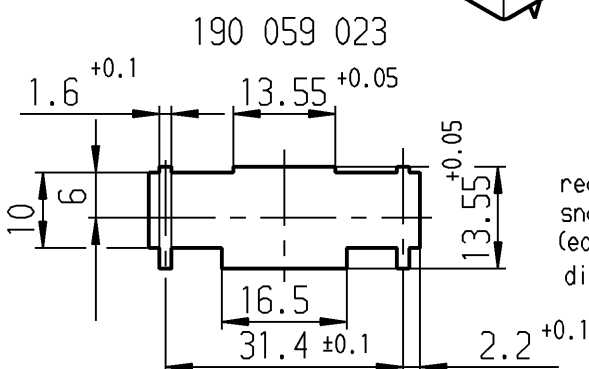
~1

~4.8

~1

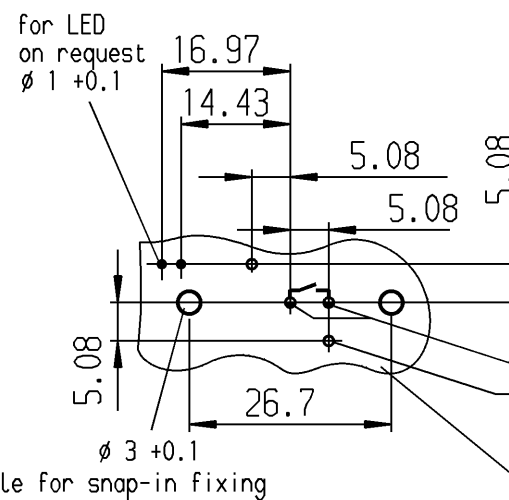
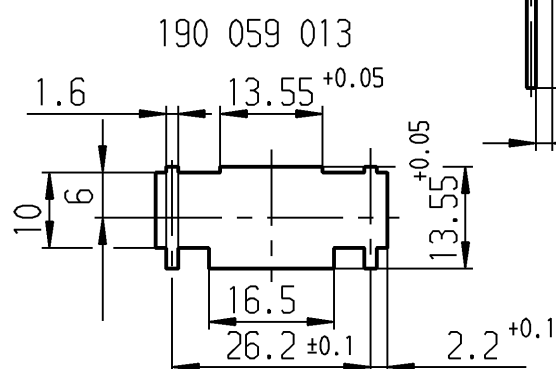
LED if spacing 16 mm

LED if spacing 19 mm



1 : 1

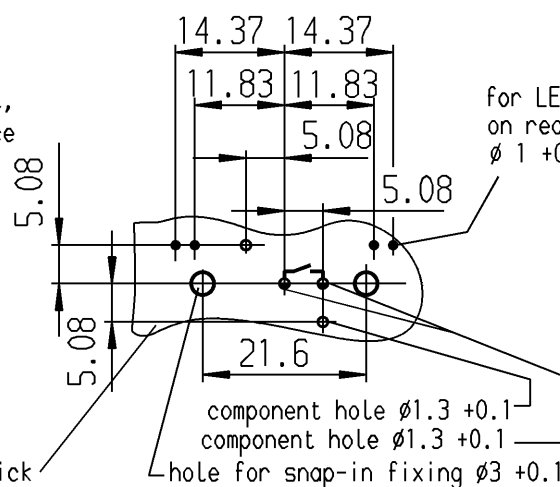
recommended cut-out for snap-in fixing  
(edge opposite to snap-in direction)



recommended terminal layout,  
side of component; tolerance  
as per DIN IEC 326 item 3  
very fine

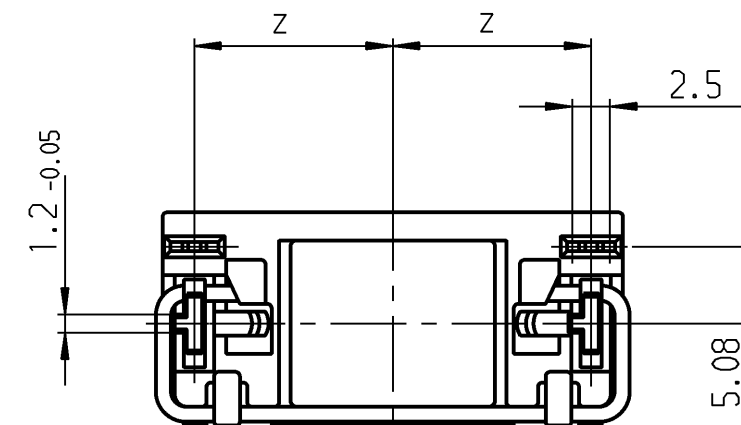
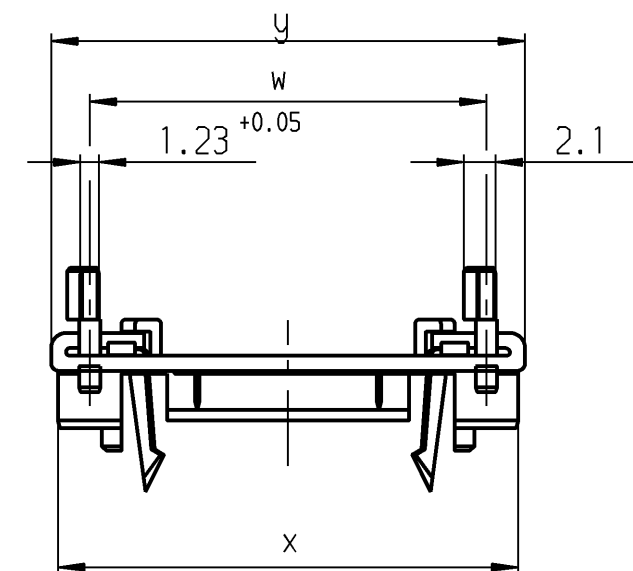
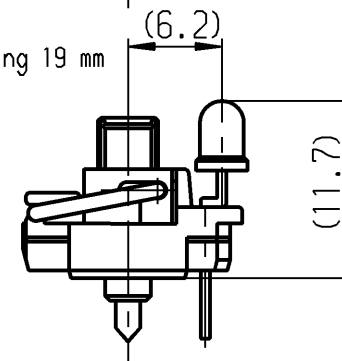
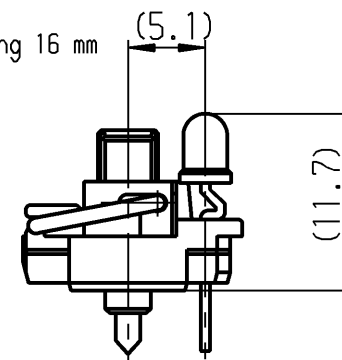
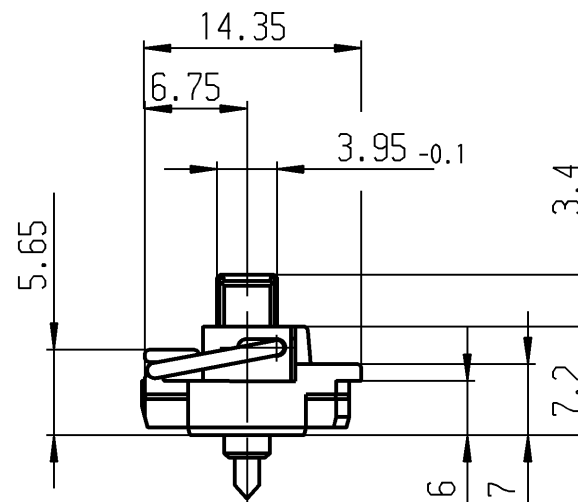
component hole ø1.3 +0.1  
fixing hole ø1.3 +0.1

printed circuit plate 1.5 thick



for LED on request  
ø 1 +0.1

component hole ø1.3 +0.1  
component hole ø1.3 +0.1  
hole for snap-in fixing ø3 +0.1



3 fold spacing 19 mm without LED	3 fold spacing 16 mm without LED	2 fold spacing 19 mm with and without LED	31.3	35.5	37	15.7	190.059.023
		2 fold spacing 16mm with and without LED	26.2	30.6	31.3	13.1	190.059.013
Key cap			w	x	y	z	Produkt-Nr.

Schutzvermerk  
nach DIN 34 beachten  
COPYRIGHT RESERVED

Allgemeintoleranzen/UNTOLERANCED DIMENSIONS			PROJECTION		Pause COPY		Blatt SHEET		Zeichn./DRAWING NO.	
Für Längen und Radien FOR LENGTHS AND RADII.			Abmaße in mm für Nennmaßbereich in mm ALL DIMENSIONS ARE IN MILLIMETRES		Original SCALE		Maßstab SCALE		SE 190.059.013	
±			bis/UP TO über/OVER über/OVER		A3		2:1		Leveling devices	
0			6 6 bis/UP TO 30 30		0 10 20 30 mm		gez./DRAWN BY 11.06.90 ws			
16.01.95 ws			0.2 0.3 0.4				gepr./CHECKED BY Sa			
Ausg. ISSUE			Änderung REVISION		Ersatz für/REPLACEMENT OF		MARQUARDT			
16.01.95 ws			0.2 0.3 0.4				Marquardt GmbH, D-78604 Rietheim-Weilheim			