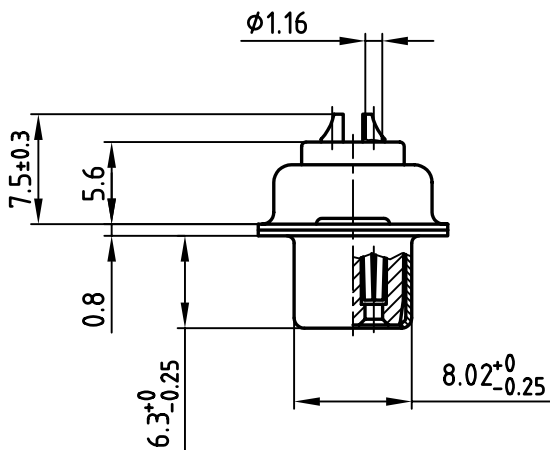
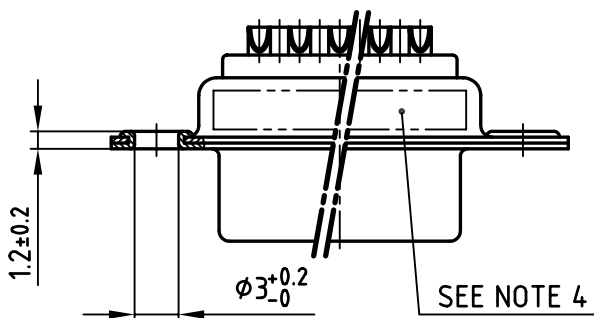
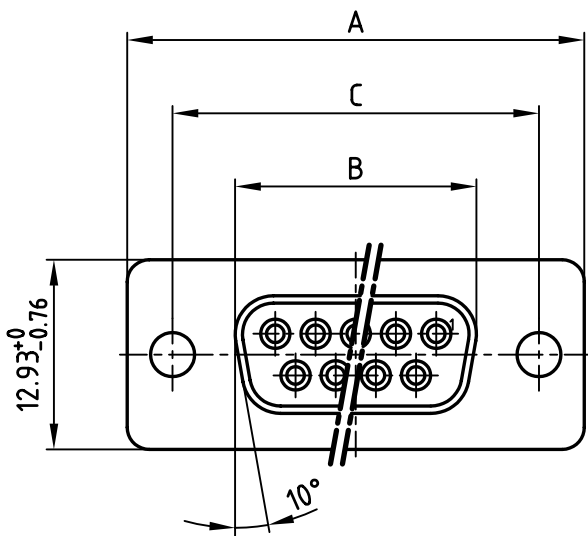


used for: D-SUB

POS.	A $-0.76$	B $-0.25$	C	Part NO.
9	31.19	16.46	25.00 $+0.12$ $-0.13$	164A10019X
15	39.52	24.79	33.30 $+0.15$ $-0.1$	164A10029X
25	53.42	38.50	47.04 $\pm 0.13$	164A10039X
37	69.70	54.96	63.50 $\pm 0.13$	164A10049X



Directive 2002/95/EC  
"RoHS"  
Compliant

**(b) NOTES:**

- METALSHELLS: STEEL; min. 315µm TIN over 40-80µm NICKEL
- INSULATORS: PBT GF UL 94 V-0, BLACK
- CONTACTS: COPPER ALLOY  
PLATING: 8µm HARD GOLD OVER min. 50µm NICKEL  
SOLDER CUP ACCEPTS CABLE AWG 20
- CONNECTOR IS PART MARKED: PART-NO. CONEC ABC

APPROVAL # FREIGABE # DEBLOCAGE # AUTORIZACION # APPROVAL	
CUSTOMER APPROVAL DATE:	
NAME:	TITLE:
COMPANY NAME:	
APPROVAL # FREIGABE # DEBLOCAGE # AUTORIZACION # APPROVAL	

THIS DRAWING MAY NOT BE COPIED OR REPRODUCED IN ANY WAY, AND MAY NOT BE PASSED ON TO A THIRD PARTY WITHOUT WRITTEN PERMISSION. OWNERSHIP AND COPYRIGHT OF CONEC GmbH DO NOT ALTER CAD DRAWING BY HAND

tolerance		dim. in mm	
1998	date	name	
drawn	25.08.	Barcinski	
appd.	25.08.	Mickenbecker	
norm	DIN 41652		
d-old			
1 x b	Ä 2535	18.07.2006	Lehmen
a	Origin		
rev.	description	date	name



scale:	2:1	
material:	SEE NOTES	
title:	D-SUB FEMALE 9-37pos. SOLDER CUP	
dwg no:	AutoCAD 2006	DIN-A
	16K11FWA	4
part no:	SEE TABLE	
		sh: 1/1