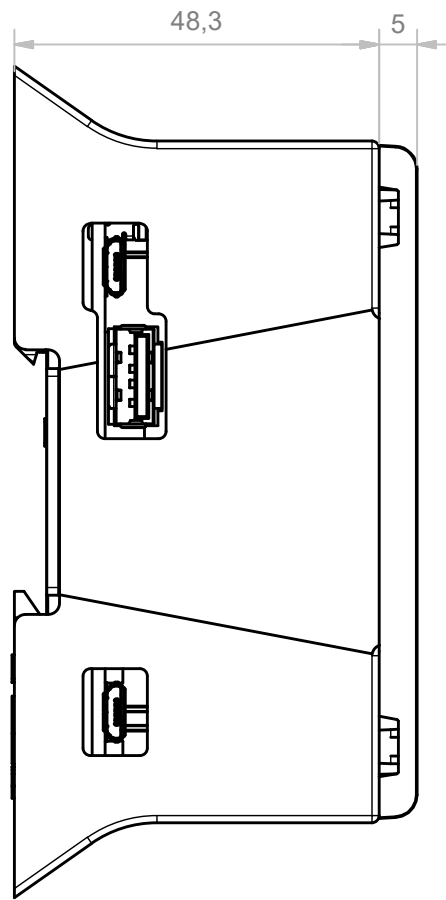
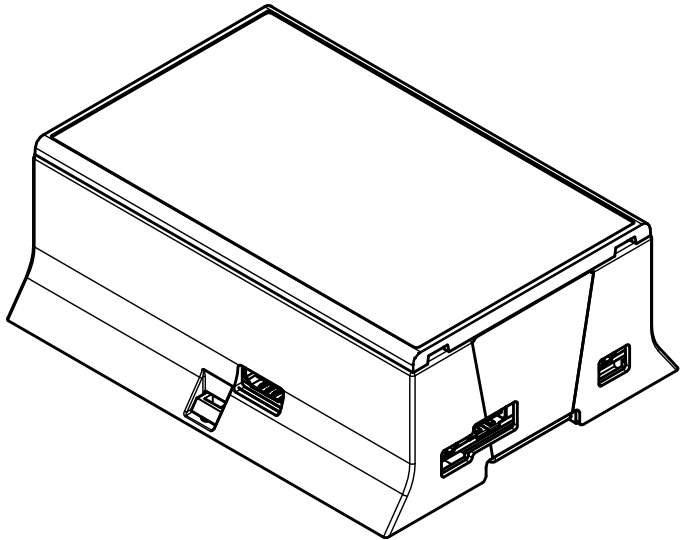


A-A (1:1)

PCB TYPE	PCB DIMENSION	TOLERANCE
C	138,3 x 42,0	+/- 0.1 mm

PCB-C



RIF.	Q.TY	DESCRIPTION	CODE
1	1	BASE 8M XT RASPBERRY COMPUTE MODULE	M-05562
2	1	BODY 8M PLC RASPBERRY COMPUTE MODULE	M-05757
3	1	PANEL 8M PLC	M-03550
4	2	SCREW TS M3X16 PLASTIC	PM10012027
5	2	SPACER ROUND 5 X 3.2 X 8.7 PLASTIC	PM10012030
6	2	NUT M3X0.5 PLASTIC	PM10012026
7	1	HOOK MODULBOX LONG	M-01900

RESERVED PROPERTY: The present drawing cannot be reproduced or communicated to 3d parties, even partially, without the authorization of ITALTRONIC Srl. Italtronic reserves to protect its own rights according to the law.

5 4 3 2 1

GENERAL TOLERANCE		UNI EN 22768/1 Media (m)		Drawn:		Checked:		Revision description	
SHEET NR.		Dimension in mm		DRAWING BY		Date:		Scale:	
1 / 1				 Manual modification are not allowed		Rigato N.		Fanin F.	
						16/12/2016		Part number:	

 UN PARTNER PER IL FUTURO	Denomination:	
	KIT 8M XT PLC RASPBERRY PI COMPUTE MODULE	
 www.italtronic.com	ITALTRONIC S.R.L. VIA AUSTRIA 25/D 35127 PADOVA - ITALY	Drawing nr.
		M-06848-00