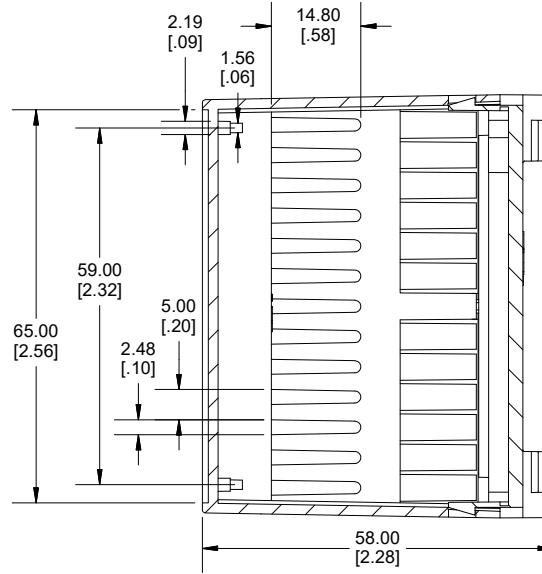
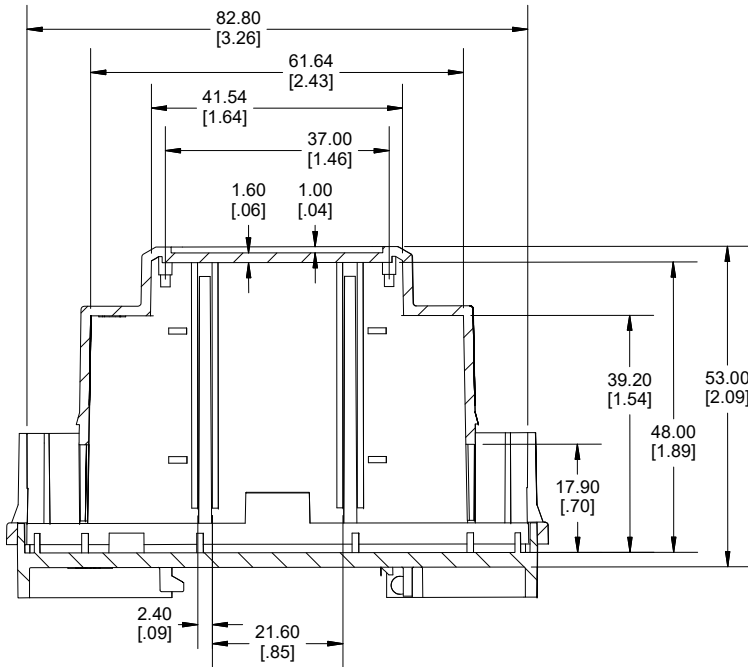
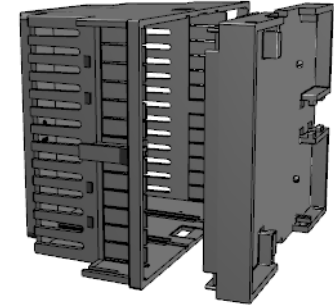


TOP VIEW



SECTION A-A



SECTION B-B

Enclosures can be Factory Modified (Milling, Drilling, Printing etc.)  
 Contact Factory (modshop@hammfg.com) for quotes  
 Solid models of this enclosure available in .stp or .x\_t  
 (Part number and text placement/orientation on our products are subject to change,  
 we do not recommend using them as a locating reference for modification purposes)

**NOTE**

Purchased enclosure includes base and cover.  
 Cover is made from polycarbonate, Base is made from PPE+PS.

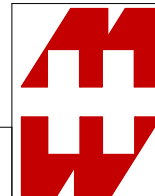
**PART NUMBERS**

1597DIN

4 Module enclosure grey	1597DIN4GY
-------------------------	------------

**ACCESSORIES**

Cover panel closed (Pkg 1)	1597DINCOV1GY
Cover panel oval (Pkg 1)	1597DINCOV2GY
Cover panel vented (Pkg 1)	1597DINCOV3GY
Cover panel knockout (Pkg 1)	1597DINCOV4GY



**HAMMOND  
 MANUFACTURING®**

**1597DIN4**

www.hammondmfg.com

Dimensions:  
 mm  
 [inches]