



GREEN MODE

RoHS

Country of Origin : China  
 Operating Temperature : 0~40 [°C]  
 Dimension : 65 x 45 x 30 [mm]  
 Certified AC Plugs: EU, UK, USA/Japan, Aus, China  
 Efficiency level (ErP) : VI



Approvals / Marks :



**Specifications**

| Model              | Voltage DC [V] | Loading [A] | Max. Power [W] | Ripple / Noise [mV] p-p | Connector [mm] |
|--------------------|----------------|-------------|----------------|-------------------------|----------------|
| SYS1561-1105-Wxx*  | 5              | 0~2.1       | 10.5           | 200                     | 2.1x5.5x11     |
| SYS1561-1105-Wxx*  | 5              | 0~2.1       | 10.5           | 200                     | micro USB      |
| SYS1561-1105-Wxx*  | 5              | 0~2.1       | 10.5           | 200                     | 5C USB C       |
| SYS1561-1105-Wxx*  | 5              | 0~2.1       | 10.5           | 200                     | USB inlet      |
| SYS1561-11054-Wxx* | 5.35           | 0~2.0       | 10.7           | 200                     | 2.1x5.5x11     |
| SYS1561-1006-Wxx*  | 6              | 0~1.66      | 10             | 200                     | 2.1x5.5x11     |
| SYS1561-1212-Wxx*  | 12             | 0~1.0       | 12             | 200                     | 2.1x5.5x11     |

**Features:**

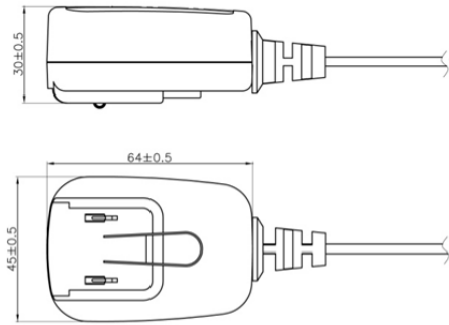
Certified plugs Wxx = W2E - Europe | W3U - England | W2 - USA, Canada, Japan, Taiwan | W2A - Australia | W2C - China  
 Output connector: standard: 2.1 x 5.5 x 11mm or customer requirement | Regulated Output With Low Ripple Noise | Safety Agency Requirements and EMI/EMS Certified  
 Private Label Marking Available | Modified and Custom Design Available | 2 Years Warranty

| OUTPUT                            |   |
|-----------------------------------|---|
| Turn delay                        | 5000 ms max @ AC low line input@output full load  |
| Hold up time                      | 5ms min@AC nominal input@output full load (>half cycle)   |
| Efficiency (Normal)               | Meet CEC,DOE,ERP,MEPS Level VI @115v/60HZ,230V/50HZ   |
| Transient response (dv,tmax)      | 0.3v dv max At AC nominal input loading from 50% load to max load or peak load<br>8ms tmax   Dynamic rise time 10uS max , duty 40mS max , Dynamic load step is slow rate of 0.5A/uS         |
| Power out.Limit                   | Peak 13W for SYS1561-1212   |
| Burn in limit                     | Full load 2 Hours   |
| Power consumption                 | Less than 0.075W ms max. At AC nominal input@output min load  |
| INPUT                             |   |
| Voltage                           | (90~264)VAC   |
| Frequency                         | (47~63)hz   |
| Current                           | 0.5A rms @ AC low line input and DC output full load  |
| Inrush Surge Current (cold start) | 40/60A max@power supply cold start,ambient temperature 25°C @115Vac/230Vac nominal AC input   |
| leakage current                   | 0.25mA Max  |
| PROTECTION                        |   |
| Over current/ Short protection    | The power supply will self-protect any output to ground & auto recovery when abnormal circuit faults remove. An output short circuit is defined as any output impedance less than 0.1 ohms. |
| Over Voltage                      | The power supply will be auto recovered when faults remove  |
| Input protection                  | F1:1A 250V Fuse The power supply shall be protected against power line surges and any abnormal condition  |
| No Load protection                | The power supply is provided with no load operation to prevent the power supply and system from damage.   |
| Protection class                  | II, (ITU-T K.21 Surge 6KV on request)   |

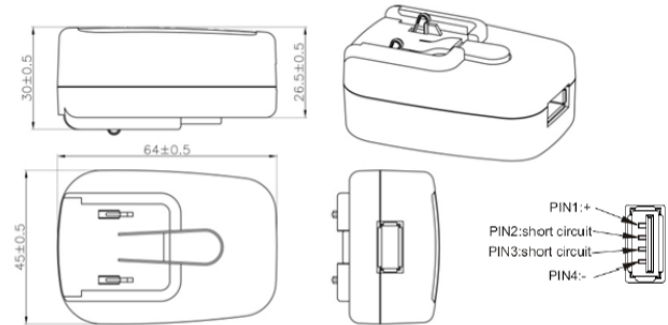
| EMC  |  |
|--|--|
| Meet EN550022 class B, FCCpart 15 Sub part B class B   |  |
| EN 60950-1:2006+All   LVD2006/95/EC   IEC 60950-1:2005 |  |
| SAFETY   |  |
| UL   GS   CB   CE   FCC  BSMI   PSE   SAA   RCM   EAC  |  |
| OTHERS   |  |
| Dielectric Strength (Hi-pot)                           | Primary to Secondary:3000VAC 10mA/60S                    |
| M.T.B.F  | 500,000 Calculated Hours at 25°C, by Telcordia SR-332    |
| Cable Length   | 1370mm (4.5 feet) standard cable or as required          |
| PLD (power line disturbance)                           | Line power surge   Line voltage SAG-more info on request |
| Cooling method   | Natural Convection Cooling                               |
| Housing material                                       | PC   |
| Temperature coefficient:                               | <±0.5%/°C  |
| ENVIRONMENT  |  |
| Temperature  | Operating: (0 ~ 40)°C / Storage: (-20 ~ 85)°C            |
| Humidity   | Operating: 8%~90%RH / Storage: 5%~95% RH non condensing  |
| WEIGHT   |  |
| NW: 72g/pc   |  |
| GW: 8.8kg/box<br>GW: 13.5kg/box (for USB inlet)        |  |
| PACKING  |  |
| PE plastic bag   | 80 pcs / 1 box<br>180 pcs / 1box (for USB inlet)         |

**Mechanical case specification:**

1) Cable type

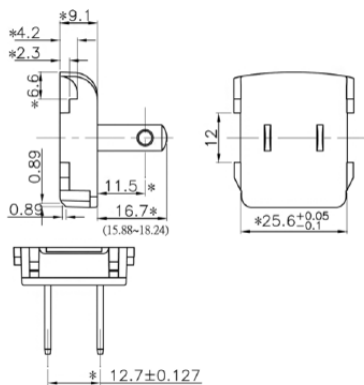


2) USB inlet type

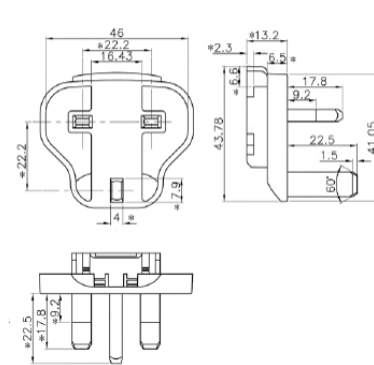


**Mechanical specification (country housing):**

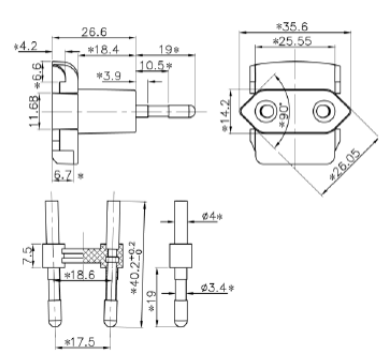
US / Japan type (W2)



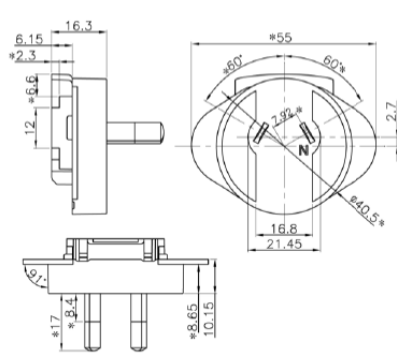
UK type (W3U)



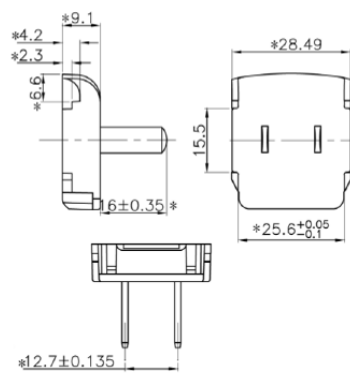
Europe type (W2E)



Australia type (W2A)



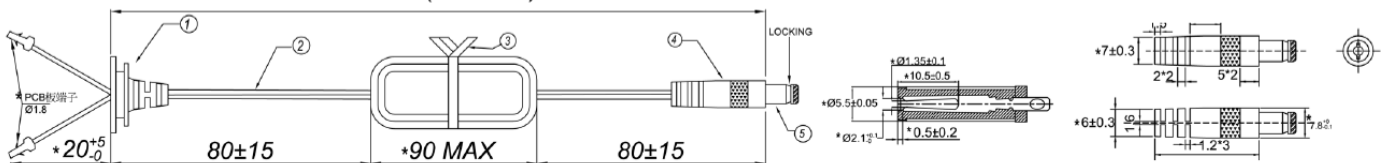
China type (W2C)



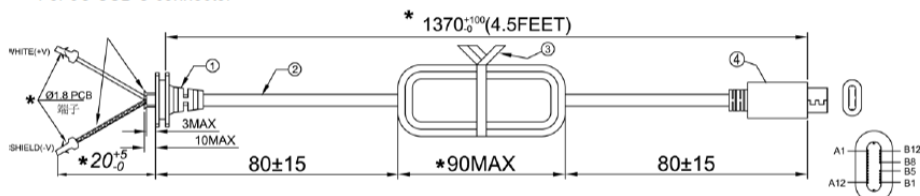
**Cable specification:**

2468#20\*2C - SYS1561-1105-Wxx | 2468#24\*2C - SYS1561-1212-Wxx For 2.1x5.5 connector

\*1370<sup>+100</sup> (4.5FEET)



For 5C USB C connector



For micro USB connector

