

NOTES:

1. MATERIAL AND FINISHES:

- HEX NUT - BRASS, GOLD PLATING
- LOCK WASHER - BRASS, GOLD PLATING
- GASKET - SILICONE RUBBER, RED
- INNER FERRULE - BRASS, GOLD PLATING
- SLEEVE - BRASS, GOLD PLATING
- BODY - BRASS, GOLD PLATING
- CONTACT - BeCu, GOLD PLATING
- INSULATOR - PTFE, NATURAL

2. ELECTRICAL:

- A. IMPEDANCE: 50 OHM
- B. FREQUENCY RANGE: DC-12.4 GHz
- C. VSWR (RETURN LOSS): 1.3 (-17.700 dB) MAX. @ DC-3 GHz
- D. D.W.V: 1000 VRMS. MIN.

3. MECHANICAL:

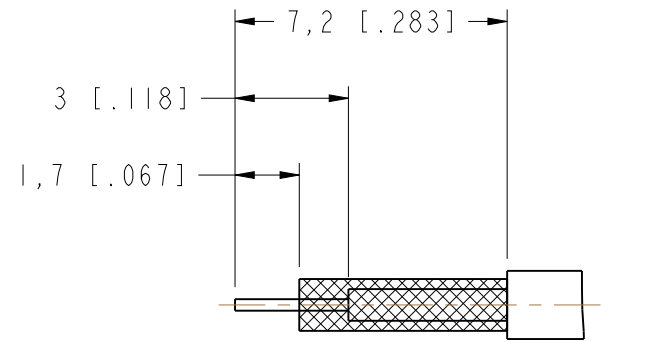
- A. DURABILITY: 500 CYCLES MIN.
- B. TEMPERATURE RANGE: -65°C TO +165°C

4. CRIMPED FERRULE HEX CRIMP SIZE .128"

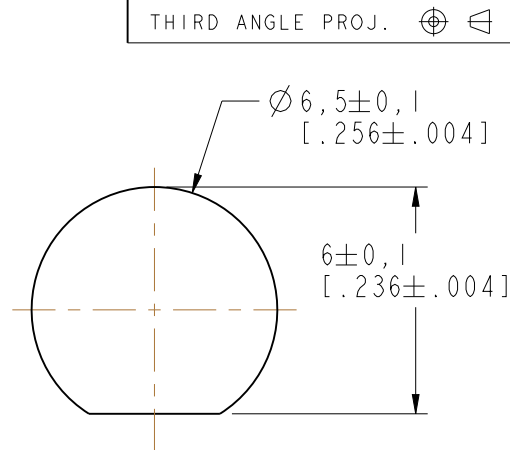
5. SOLDER CONTACT PIN TO CABLE CENTER CONDUCTOR.

6. MAX. PANEL THICKNESS= 3.2 mm

7. CONNECTOR MEETS CORROSION REQUIREMENTS PER MIL-STD-202, METHOD 101, TEST CONDITION B

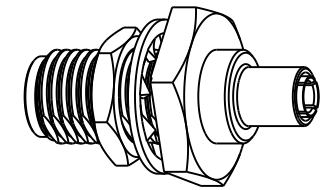


RECOMMENDED CABLE STRIPPING DIM'S

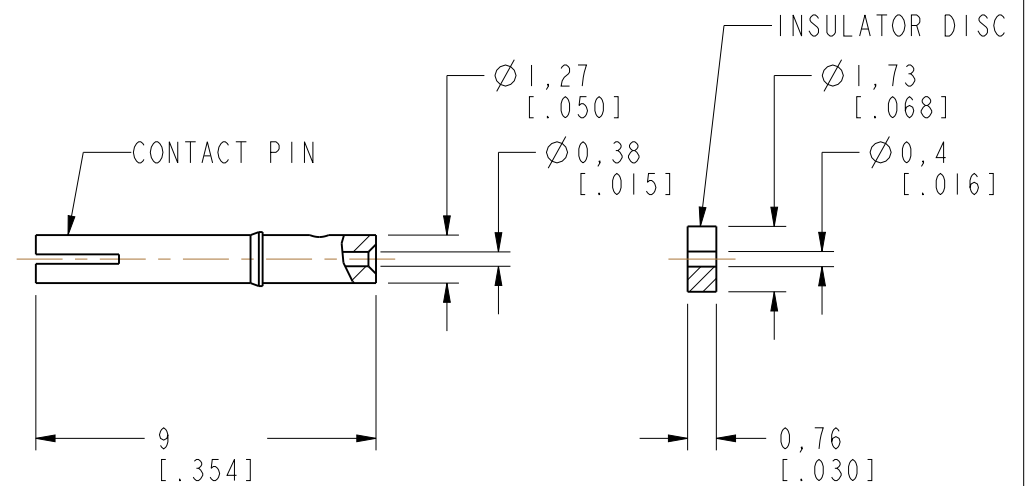
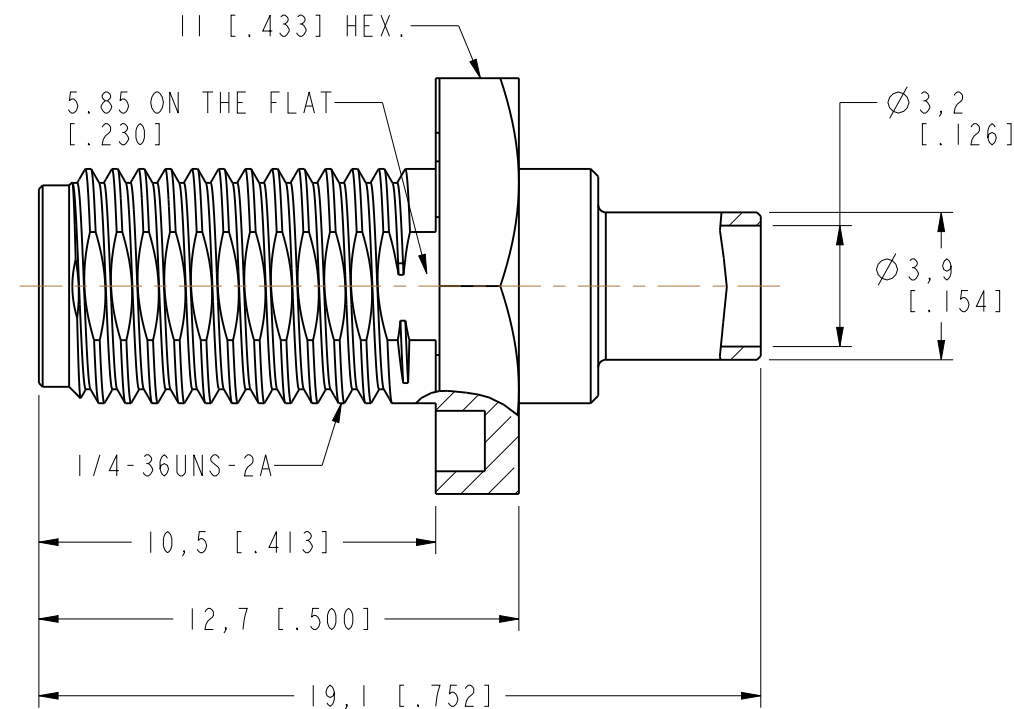
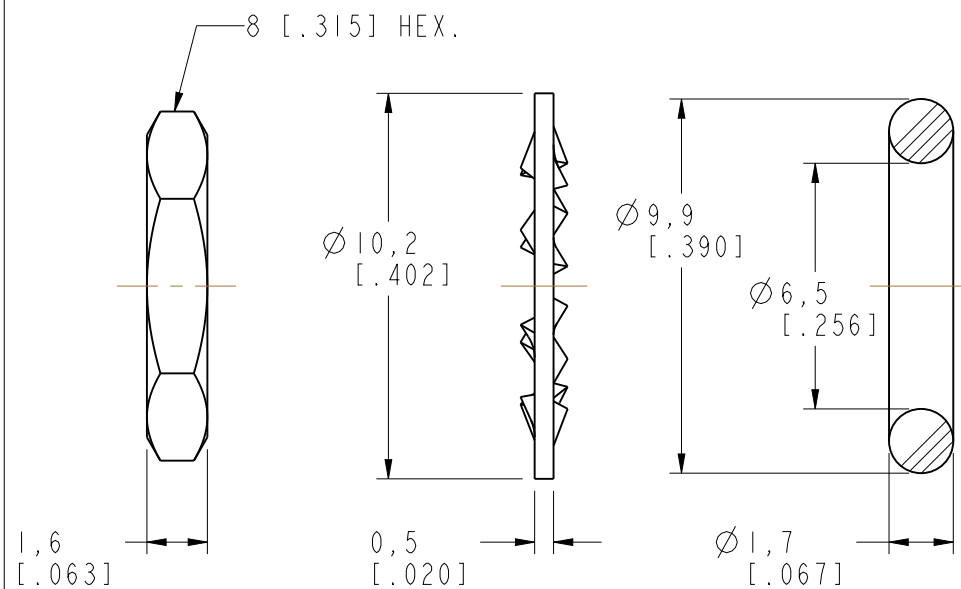
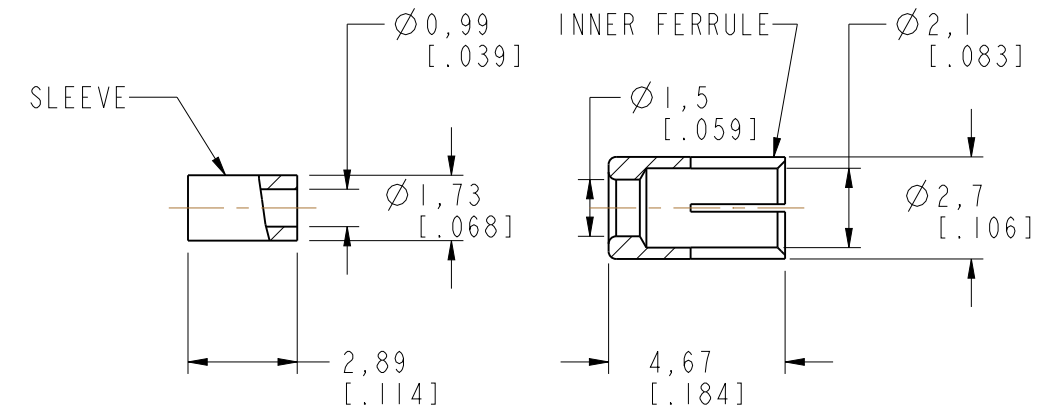


RECOMMENDED MOUNTING HOLE

REVISIONS				
REV	DESCRIPTION	DATE	ECO	APPR
A	UPDATE STRIPPING AND FERRULE DIMS	04-Apr-01	----	GRS
B	UPDATE DRAWING FORMAT	30-Aug-05	----	GRS
C	ADD THE METAL SLEEVE, UPDATE DRAWING FORMAT	19-Nov-14	2830	MZ



SCALE 2.000



CUSTOMER OUTLINE DRAWING

ALL OTHER SHEETS ARE FOR INTERNAL USE ONLY

<p>UNLESS OTHERWISE SPECIFIED, DIMENSIONS ARE IN METRIC AND TOLERANCES ARE:</p> <table border="1"> <tr> <td><0.5mm</td> <td>0.5 - 6mm</td> <td>6 - 30mm</td> <td>30 - 120mm</td> <td>ANGLES</td> </tr> <tr> <td>± 0.05mm</td> <td>± 0.1mm</td> <td>± 0.2mm</td> <td>± 0.3mm</td> <td>± 1°</td> </tr> </table>	<0.5mm	0.5 - 6mm	6 - 30mm	30 - 120mm	ANGLES	± 0.05mm	± 0.1mm	± 0.2mm	± 0.3mm	± 1°	<p>MATERIAL</p>	<p>DRAWN</p> <p>M. ZHANG</p>	<p>DATE</p> <p>19-Nov-14</p>	<p>TITLE</p> <p>SMA BULKHEAD CRIMP JACK (FOR RG-178B/U, 196A/U CABLE)</p>	<p>Amphenol Connex</p>
	<0.5mm	0.5 - 6mm	6 - 30mm	30 - 120mm	ANGLES										
± 0.05mm	± 0.1mm	± 0.2mm	± 0.3mm	± 1°											
<p>NOTICE - These drawings, specifications, or other data (1) are, and remain the property of Amphenol corp. (2) must be returned upon request; and (3) are confidential and not to be disclosed to any person other than those to whom they are given by Amphenol Corp. the furnishing of these drawings, specifications, or other data by Amphenol Corp., or to any other person to anyone for any purpose is not to be regarded by implication or otherwise in any manner licensing, granting rights to permitting such holder or any other person to manufacture, use or sell any product, process or design, patented or otherwise, that may in any way be related to or disclosed by said drawings, specifications, or other data.</p>	<p>REFERENCE</p> <p>EAR# 6529</p> <p>SMA641B4-3GT5GP-196AU-50</p> <p>CONFIGURATION LEVEL: In Work</p>	<p>ENGINEER</p> <p>S. DUAN</p>	<p>DATE</p> <p>19-Nov-14</p>	<p>DRAWING NO.</p>											
		<p>APPROVED</p> <p>S. HSIEH</p>	<p>DATE</p> <p>19-Nov-14</p>	<p>SCALE: 5.0:1.0</p>	<p>SHEET 3 OF 3</p>	<p>ITEM NO.</p>									
		<p>FINISH</p>	<p>CAD FILE</p>	<p>DWG SIZE</p> <p>B</p>	<p>REV</p> <p>C</p>	<p>PART NO. 132286</p>									