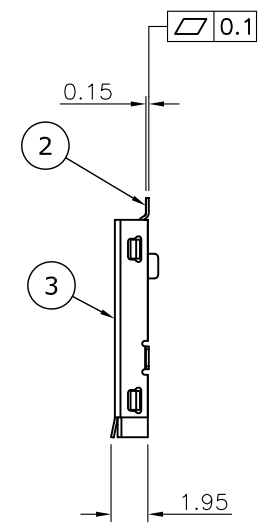
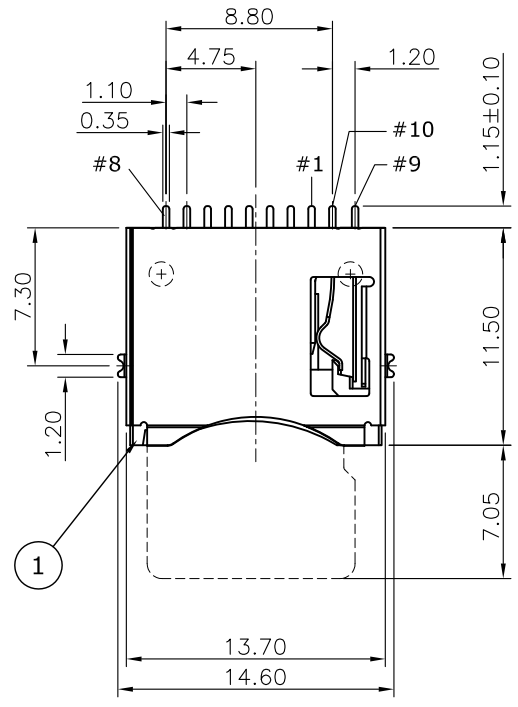


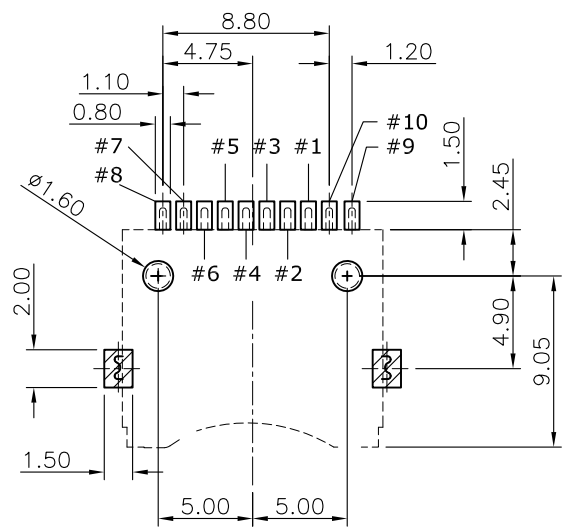
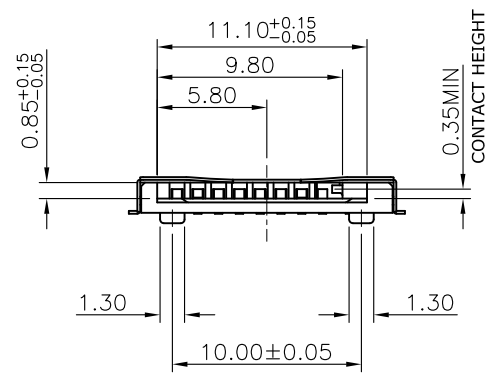
REV.	DESCRIPTION	DRAWN	DATE
1	INITIAL RELEASE	FROS	2020/07/28



PIN#	NAME
1	DAT2
2	CD/DAT3
3	CMD
4	VDD
5	CLK
6	VSS
7	DAT0
8	DAT1
9	CD
10	SW
Shell	Ground

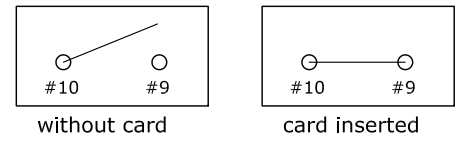
**SPECIFICATION:**

- ELECTRICAL**
  - Current Rating: 0.5A
  - Voltage Rating: 10V
  - Contact Resistance: 40mΩ
  - Insulation Resistance: 100MΩ
  - Dielectric Withstanding Voltage: 500VAC
- MECHANICAL**
  - Durability: 10000 Cycle
- ENVIRONMENTAL**
  - Operating temperature range: -40°C~+85°C
  - Storage temperature range: -40°C~+85°C
- SOLDER ABILITY**
  - Recommended IR Reflow(Wave Soldering) Temperature: 260°C



Recommended layout (top view)  
General tolerance: ±0.05mm

Circuit diagram of card detect



3	SHELL	Copper alloy, Nickel plating			
2	CONTACT	Copper alloy, G/F on contact area, tin plating on on solder tails, under plating nickel			
1	HOUSING	LCP, UL94V-0, natural			
NO. PART NAME		DESCRIPTION			
UNLESS OTHERWISE SPECIFIED TOLERANCE					
UNIT:	DECIMAL	LINEAR	ANGLES		
	mm	X, X	±0.50 ±3°		
		X, XX	±0.25 ±1°		
		X, XX	±0.12 ±1°		
DRAWN		Fros	2020/07/28	DRAWN NAME:	
CHECKED		Tim	2020/07/28	Micro SD socket, Push-Pull Type w/card switch, w/Peg, Reel	
APPROVED		Ken	2020/07/28	PRODUCT NO.	112I-TA01
SCALE	SHEET	SIZE	FILE NAME		
1/1	1/1	A4	112I-TA01_B_1		



www.attend.com.tw