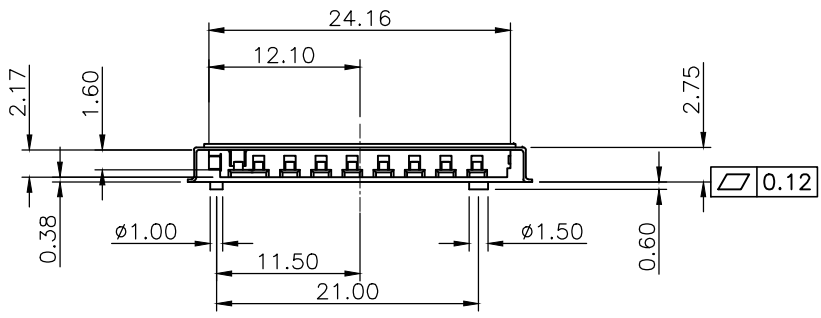
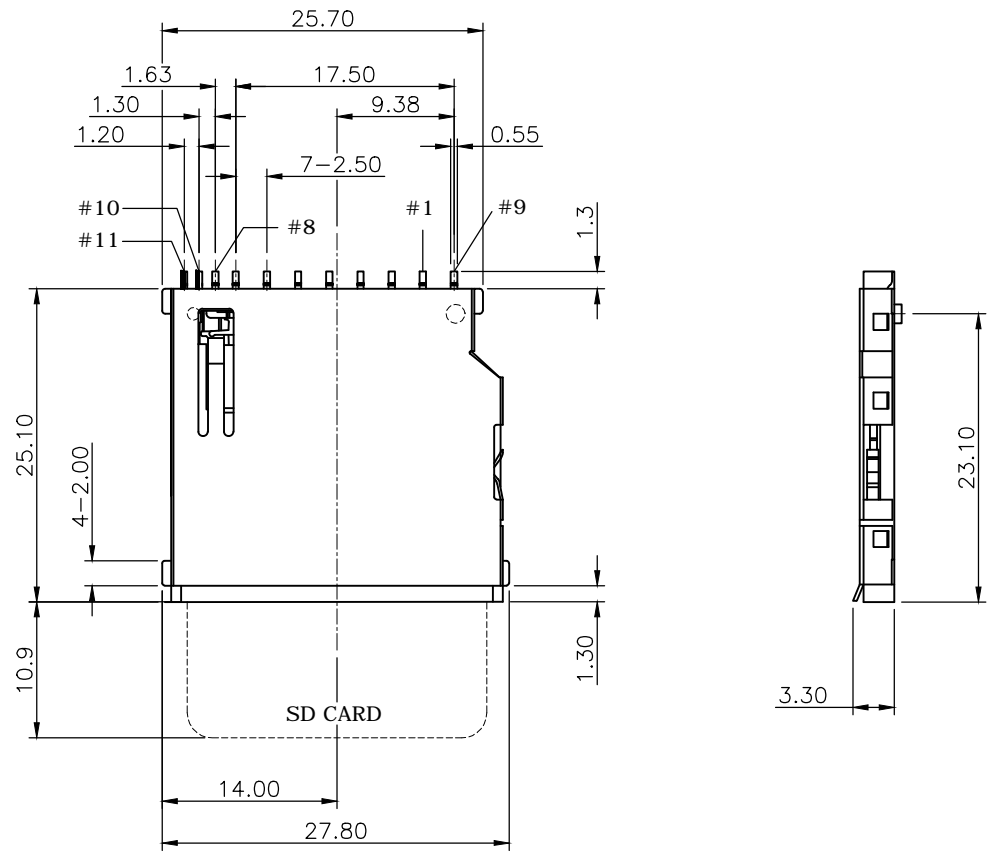


REV.	DESCRIPTION	DRAWN	DATE
1	INITIAL RELEASE	FROS	2020/07/27



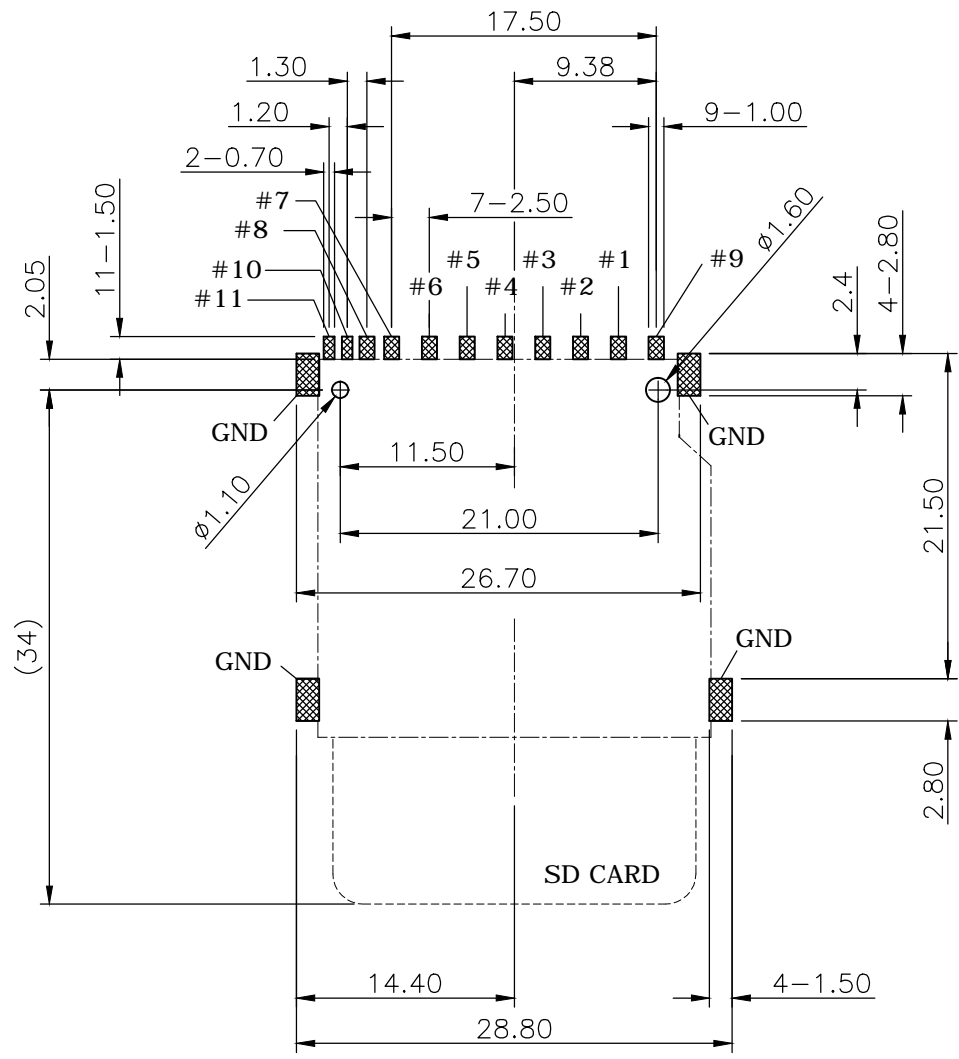
SPECIFICATION:

1. ELECTRICAL
 - 1.1 Current Rating: 0.5A
 - 1.2 Voltage Rating: 10V
 - 1.3 Contact Resistance: 40mΩ
 - 1.4 Insulation Resistance: 100MΩ
 - 1.5 Dielectric Withstanding Voltage: 500VAC
2. MECHANICAL
 - 2.1 Durability: 10000 Cycle
 - 2.2 Insertion Force: 40N Max.
 - 2.3 Extraction Force: 2N Min.
3. ENVIRONMENTAL
 - 3.1 Operating temperature range: -40°C~+85°C
 - 3.2 Storage temperature range: -40°C~+85°C
4. SOLDER ABILITY
 - 4.1 Recommended IR Reflow(Wave Soldering) Temperature: 260°C

3	SHELL	Copper alloy, Nickel plating					
2	CONTACT	Copper alloy, G/F on contact area, tin plating on on solder tails, under plating nickel					
1	HOUSING	LCP, UL94V-0, natural					
NO. PART NAME		DESCRIPTION					
UNLESS OTHERWISE SPECIFIED TOLERANCE							
UNIT:	DECIMAL	LINEAR	ANGLES				
mm	X.	±0.50	±5°				
	X.X	±0.25	±3°				
	X.XX	±0.12	±1°				
www.attend.com.tw							
DRAWN	Fros	2020/07/27	DRAWN NAME:				
CHECKED	Tim	2020/07/27	SD Socket, Push-Pull Type, G/F, w/switch				
APPROVED	Ken	2020/07/27	PRODUCT NO. 104C-TAA1				
SCALE	1.65	SHEET	1/2	SIZE	A4	FILE NAME	104C-TAA1_B_1

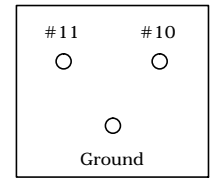


REV.	DESCRIPTION	DRAWN	DATE
	see sheet one		

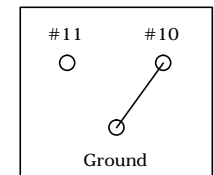


RECOMMENDED LAYOUT (TOP VIEW)
GENERAL TOLERANCE: ±0.05MM

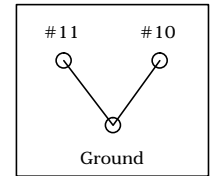
Circuit diagram



without card



card inserted
write protect: Lock



card inserted
write protect: unlock

PIN#	NAME
1	CD/DAT3
2	CMD
3	VSS1
4	VDD
5	CLK
6	VSS2
7	DAT0
8	DAT1
9	DAT2
10	Card detect switch
11	Write protect switch
Shell	Ground

UNLESS OTHERWISE SPECIFIED TOLERANCE			
UNIT:	DECIMAL	LINEAR	ANGLES
mm	X.	±0.50	±5°
	X.X	±0.25	±3°
	X.XX	±0.12	±1°
DRAWN	Fros	2020/07/27	DRAWN NAME: SD Socket, Push-Pull Type, G/F, w/switch
CHECKED	Tim	2020/07/27	
APPROVED	Ken	2020/07/27	
SCALE	SHEET	SIZE	FILE NAME
2/1	2/2	A4	104C-TAA1_B_1



www.attend.com.tw

SD Socket,
Push-Pull Type, G/F, w/switch

PRODUCT NO. 104C-TAA1

FILE NAME 104C-TAA1_B_1