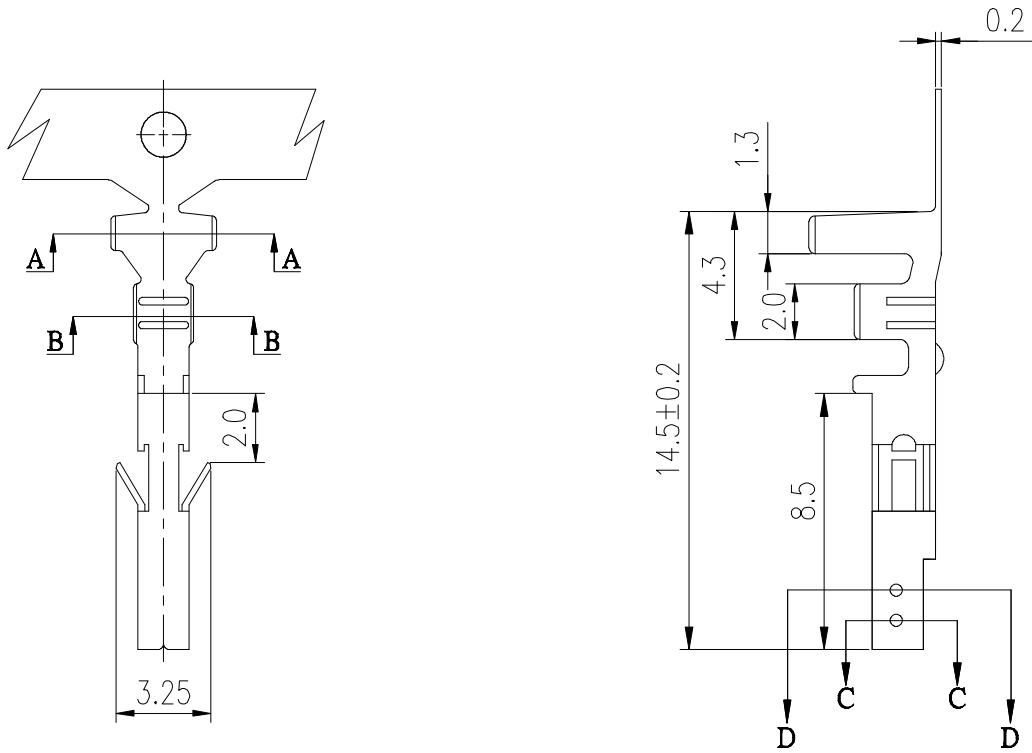


PRODUCT NUMBER
SEE PART NO. TABLE



NOTES:

- MATERIAL: OPTIONAL.
- THIS TERMINAL IS USED WITH FCI RECEPTACLE HSG 10127815.
- PRODUCT SPECIFICATION: GS-12-1181.
- PACKAGE SPECIFICATION: GS-14-2362.
- PART NUMBER SCHEME:
10127817- X X X X LF

PLATING TYPE:
P: PRE-PLATED
BLANK: POST-PLATED

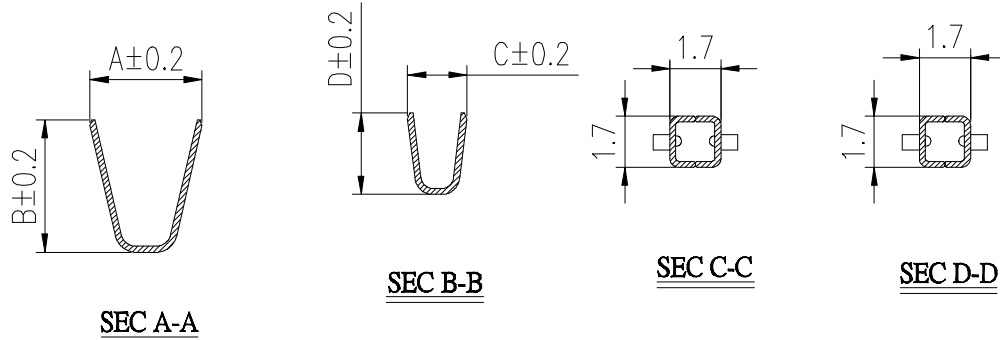
APPLICABLE AWG:
1: AWG #16~#22
2: AWG #24~#28

PLATING CODE:
1: GOLD FLASH
2: TIN

MATERIAL CODE:
1: PHOSPHORUS BRONZE
2: BRASS

6. DIMENSIONAL & PART NO. TABLE:

PART NO.	A	B	C	D	APPLICABLE WIRES
10127817-XX2XLF	3.2	3.4	1.8	2.2	#24~#28
10127817-XX1XLF	3.7	4.5	1.8	2.7	#16~#22



mat'l. code		surface		tolerance		projection		product family	
ltr		ecn no		dr		date		tolerances unless otherwise specified	
A		TAI		2013-11-11		angles		X.X ±0.4	
B		ELX-T-17193		TAI		2014-03-12		X.XX ±0.3	
C		ELX-T-18006		TAI		2014-06-19		X*±1*	
				dr		KENNY TAI		2013-11-11	
				enr		KENNY TAI		2013-11-11	
				chr		KENNY TAI		2013-11-11	
				appd		PM ZHENG		2013-11-22	
sheet index		revision sheet		C		1		scale	
								product family	
								title	
								RECEPTACLE TERMINAL FOR MINITEK PWR4.2 WIRE CONNECTOR	
								dwg no	
								sheet 1 of 1	
								size	
								A4	
								type	
								CUSTOMER Drawing	