

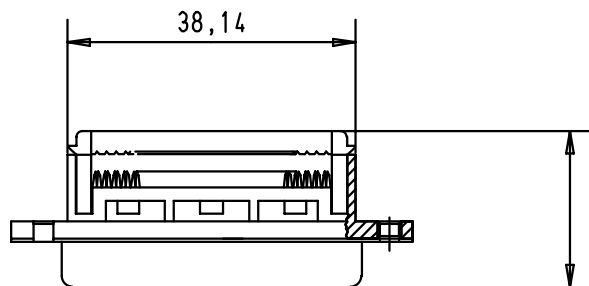
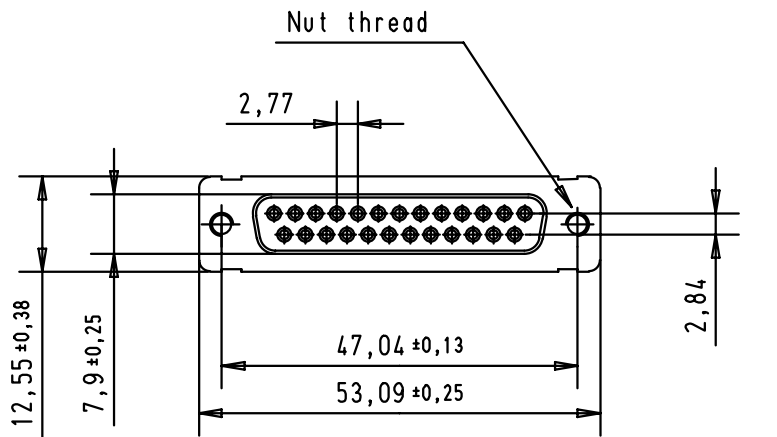
5 4 3 2 1

D

C

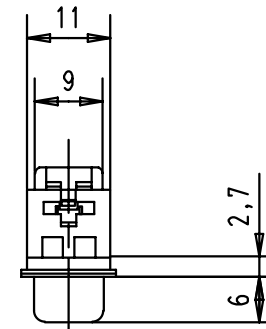
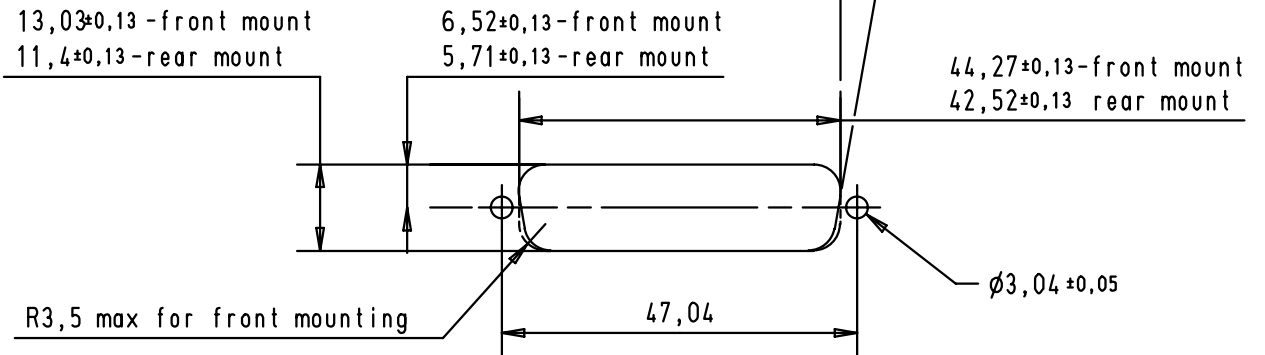
B

A




20,65 pre crimping position
18,20 after crimping position

RECOMMENDED PANEL CUTOUT DIMENSIONS



1.27 mm pitch flat cable stranded, wire sizes : AWG 26 to 28

09 66 318 7502	25	3	4-40 UNC								 D-Sub female connector Insulation displacement termination, nut fixing	Maßstab/ Scale 1 : 1
09 66 318 6502	25	2	4-40 UNC			Detail.	19-MAR-02	CV				
09 66 318 7501	25	3	M3			Insp.						
09 66 318 6501	25	2	M3			Stand.						
											All Dim. in mm Orig. Size DIN A 4	TB 0966 318 x50x Sub.
part number	No of contact	performance level	Nut thread	29756 Mod.	19-MAR-02 Dat.	CV Name	HARTING ELEKTRONIK F-95972 Paris			