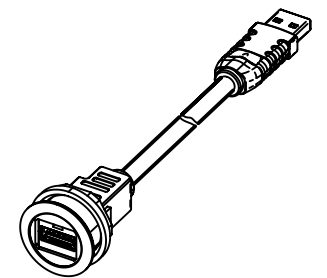
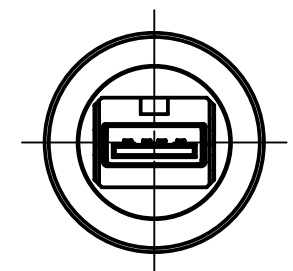
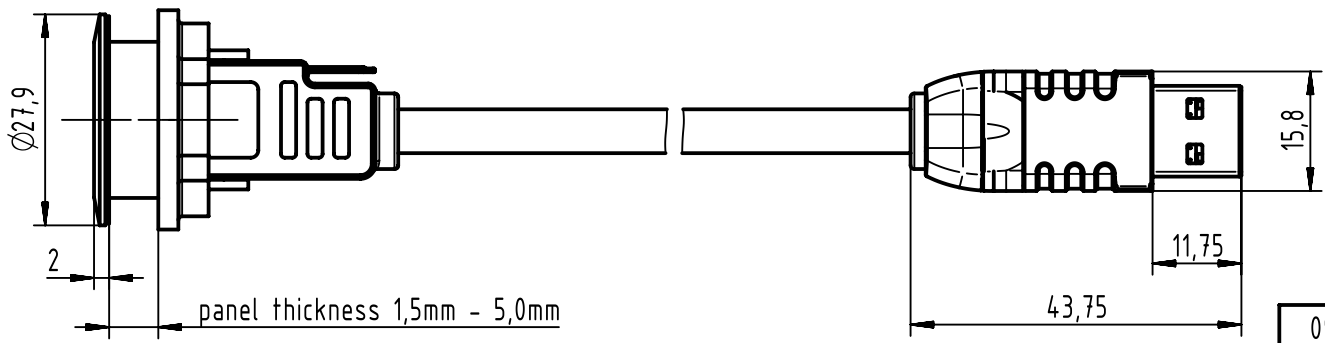
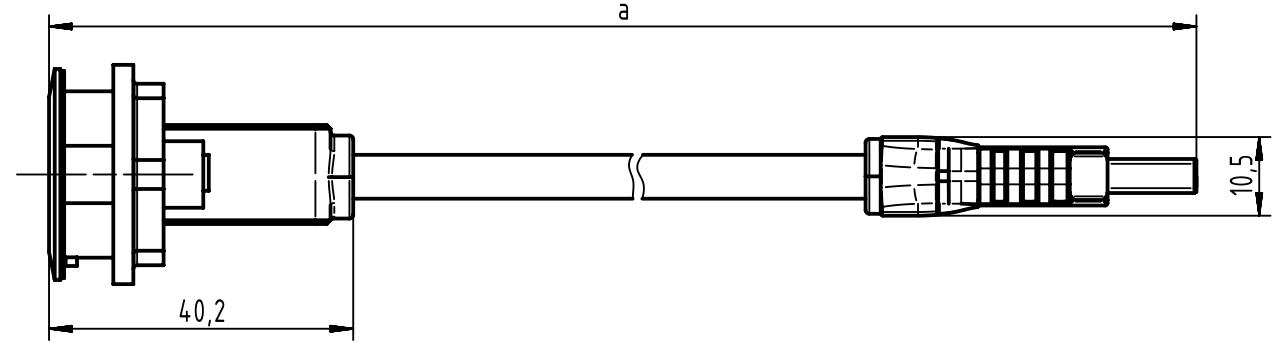
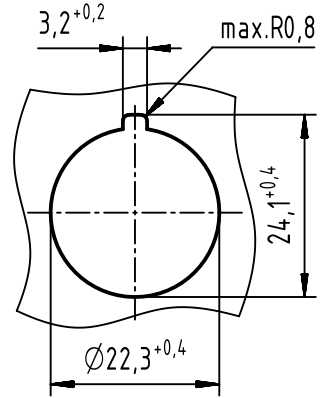
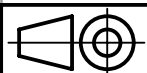
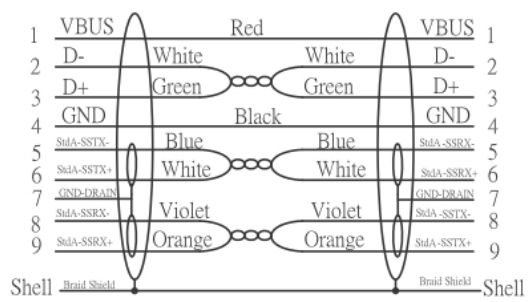


panel cut-out



09 45 452 1974	3,0
09 45 452 1973	2,0
09 45 452 1972	1,5
09 45 452 1971	1,0
09 45 452 1970	0,5
part number	a [m]

WIRING DIAGRAM



All Dimensions in mm
Original Size DIN A4

Scale
1:1

Free size tol.
ISO 2768 mH

Ref.
Sub. TB 0945452197X / 500000091377 / 2015-07-10



All rights reserved
Department EC PD - DE

Created by
STORCK

Inspected by
DAHMS

Standardisation
KOHLER

Date
2015-08-06

State
Final Release

Title
har-port USB 3.0 A-A PFT black cable

Doc-Key / ECM-Nr.
100629372/UGD/001/B
500000092900

HARTING Electronics GmbH
D-32339 Espelkamp

Type
TB

Number
0945452197X

Rev. **B** Page
1/1