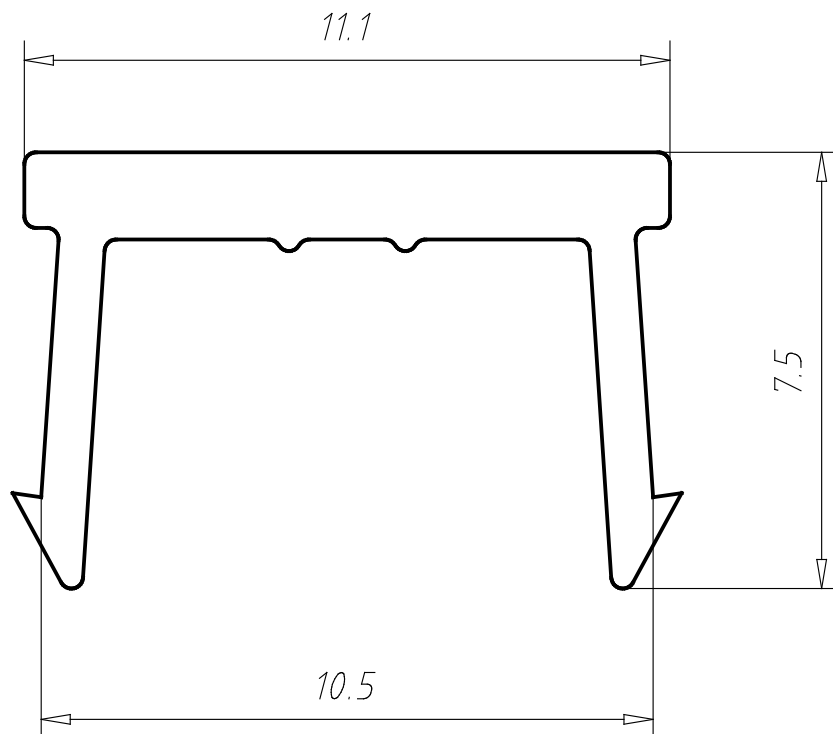


Cover Profile Slot 10 - 6.0

092041S06



PARTNR (Part #)	PROFILE (Profile)	SLOT (Slot)	COPR (Cover Profile)	WEIGHT (Weight / g/m)	CTN (Customs Tariff Number)	ID (ID #)
092041S06	B	10	Blue ≈ RAL 5005	28.1	39169050	100288