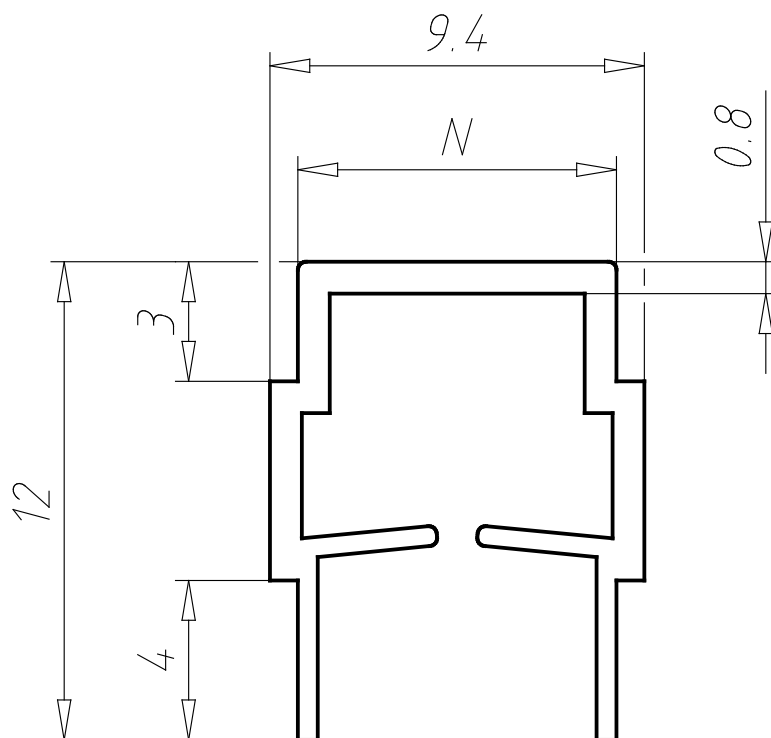


Cover and Reduction Profile I Slot 8

092036



PARTNR (Part #)	CRP (Cover and Reduction Profile)	N (Slot / mm)	PROFILE (Profile)	WEIGHT (Weight / g)	CTN (Customs Tariff Number)	ID (ID #)
092036	Red ≈ RAL 3020	8	I	26	39169050	100276