

1 2 3 4 5 6

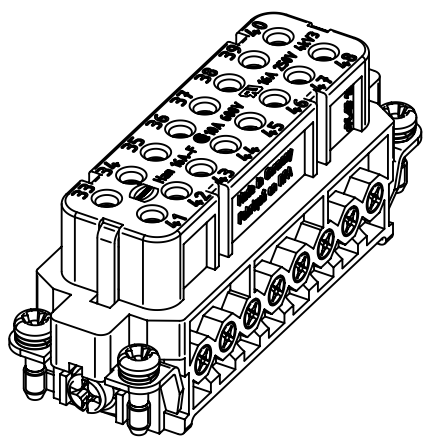
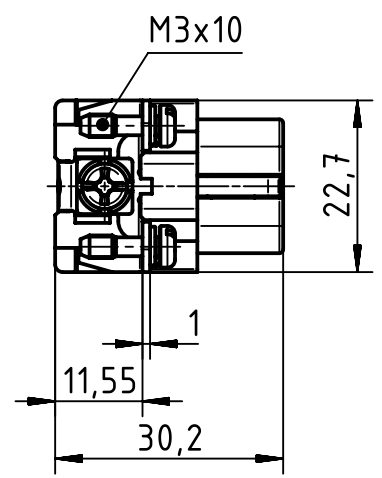
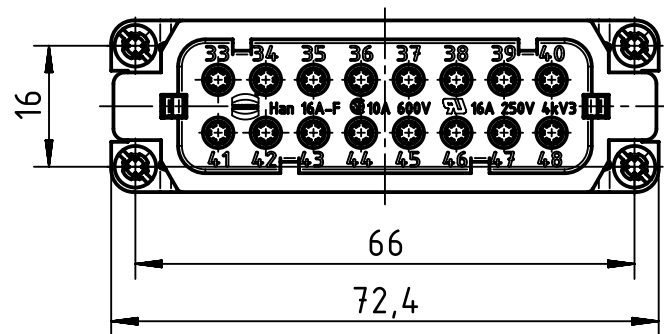
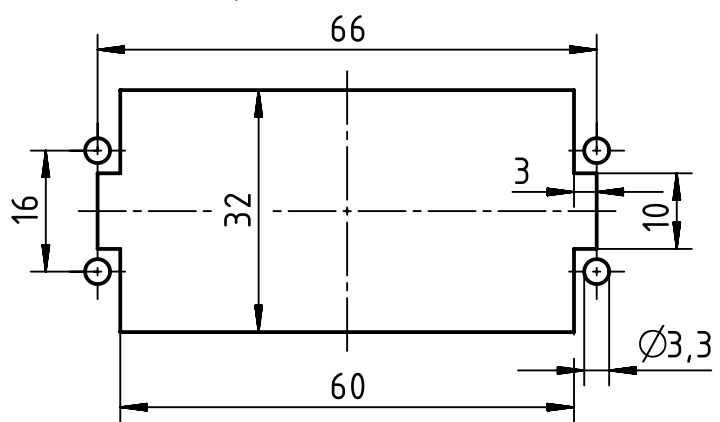
A

B

C

D

panel cut out



|   |  |  |  |                          |  |                             |  |                    |  |  |  |
|---|--|--|--|--------------------------|--|-----------------------------|--|--------------------|--|--|--|
|   | All rights reserved<br>Department EL PD - DE | Created by<br>FINKEV                         |  | Inspected by<br>RIEPE    |  | Standardisation<br>TIEMANNA |  | Date<br>2016-02-17 |  | State<br>Final Release                                   |  |
|   |  | Title<br>Han 16A-F-s (33-48) wire protection |  |                          |  |                             |  |                    |  | Doc-Key / ECM-Nr.<br>100660531/UGD/003/A<br>500000100534 |  |
| HARTING Electric GmbH & Co. KG<br>D-32339 Espelkamp |  | Type<br>TB                                   |  | Number<br>09 20 016 2816 |  |                             |  | Rev.<br>A          |  | Page<br>1/1  |  |