


## Product information 0906 UTP 101

Industrial Connecting Solutions:Cables and Adapters:T-connectors / adaptors:M8, M12, valve plug - T-connectors/adaptors:M12-M12:T-connector, M12 female with M12 male and M12 female connector

- CANopen / DeviceNet:0906 UTP 101

<http://e-catalog.hirschmann.com/link/57078-24228-256254-57229-218892-219241-219410-219479/en/conf/uistate>

<b>Name</b>	<b>0906 UTP 101</b>
	
	T-connector, M12 female with M12 male and M12 female connector, 5 poles, especially suitable for DeviceNet and CANopen modules with M12 bus connection
<b>Delivery informations</b>	
<b>Availability</b>	available
<b>Product description</b>	
<b>Type</b>	0906 UTP 101
<b>Order No.</b>	7843
<b>Description</b>	T-connector, M12 female with M12 male and M12 female connector, 5 poles, especially suitable for DeviceNet and CANopen modules with M12 bus connection
<b>Number of contacts</b>	5
<b>Color of housing</b>	black
<b>Product characteristics</b>	Vibration resistance, Oil resistance
<b>Classification</b>	
<b>Belden brand</b>	Lumberg-Automation
<b>Environmental conditions</b>	
<b>Environmental temperature</b>	-25 °C ... 90 °C
<b>Degree of protection (IP), mounted</b>	IP67
<b>Pollution degree</b>	3
<b>Materials</b>	
<b>Housing material / Molded body</b>	TPU
<b>Contact bearer material</b>	TPU
<b>Contact material</b>	CuZn
<b>Contact material - Surface refinement</b>	pre-nickeled and gold-plated
<b>Knurled screw / nut material</b>	CuZn
<b>Sealing material</b>	FKM
<b>Electrical data</b>	
<b>Contact resistance</b>	≤ 5 mΩ
<b>Rated current In</b>	4 A per outlet / 4 A max. at 40 °C
<b>Nominal voltage</b>	60 V
<b>Test voltage</b>	1.5 kV eff./60 s
<b>Insulation resistance</b>	> 1 GΩ

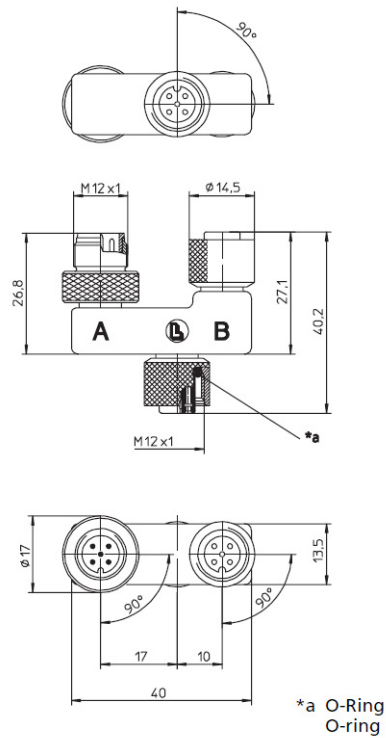
Industrial Connecting Solutions:Cables and Adapters:T-connectors / adaptors:M8, M12, valve plug - T-connectors/adaptors:M12-M12:T-connector, M12 female with M12 male and M12 female connector

- CANopen / DeviceNet:0906 UTP 101

<http://e-catalog.hirschmann.com/link/57078-24228-256254-57229-218892-219241-219410-219479/en/conf/ui/state>

Picture

Drawing



**Belden Deutschland GmbH**

Im Gewerbepark 2  
 58579 Schalksmühle  
 Germany  
 Phone: +49 7127/14-1806  
 E-Mail: [icos-sales@belden.com](mailto:icos-sales@belden.com)

The information published in the websites has been compiled as carefully as possible. It is subject to alteration without notice in technical as well as in price-related/commercial respect. The complete information and data were available on user documentation. Mandatory information can only be obtained by a concrete query.