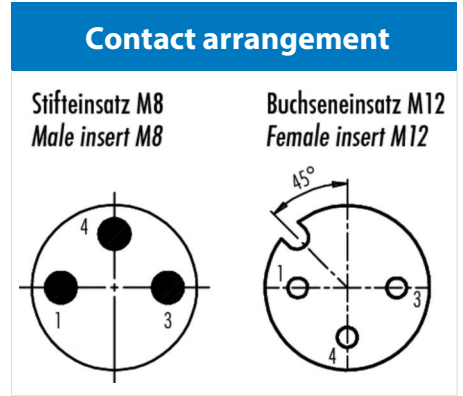
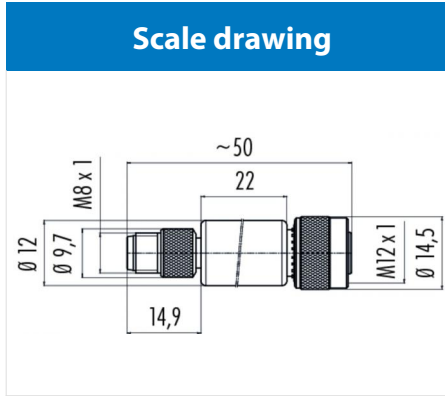


Product description **Contacts: 3, Adaptor, male connector M8 - female connector M12**

Area **Connecting cords Series 765**
 Order number **09 5283 00 03**



Technical data

General values

Connector design	Adapter
Connector locking system	schraub
Termination	steckbar
Upper limit temperature	85 °C
Lower limit temperature	-25 °C

Electrical values

Rated current (40 °C)	4 A
Rated voltage	30 V
Rated impulse voltage	1500 V
Pollution degree	3
Overvoltage category	II
Insulating material group	II
Volume resistivity	≤ 3 mΩ
EMC compliance	nicht geschirmt
Degree of protection	IP67
Mechanical operation	> 100 Steckzyklen

Material

Contact material	Pin: CuZn (brass), Socket: CuSn (bronze)
Contact plating	Au (Gold)
Contact body material	PA/PUR
Housing material	Macromelt

Product description **Contacts: 3, Adaptor, male connector M8 - female connector M12**

Area **Connecting cords Series 765**
Order number **09 5283 00 03**

Security notices

The connectors are designed for use in plant, control system and electrical equipment. The end user is responsible for checking whether the connectors are suitable for use in other applications.

Connectors with degree of protection IP 67 and IP 68 are not suitable for use under water. When used outdoors, the connectors must be separately protected against corrosion. For further information about IP degrees of protection refer to 'Technical support' in the Download Centre.

To lock the cable connector to the equipment connector, the threaded ring is tightened until it is 'finger-tight' (approx. 50 cNm).