

**PLEASE CHECK WWW.MOLEX.COM FOR LATEST PART INFORMATION**

**Part Number:** [0622018949](#)  
**Status:** **Active**  
**Overview:** [Application Tooling](#)  
**Description:** IMPEL Backplane Press-In Tool

**Documents:**

[RoHS Certificate of Compliance \(PDF\)](#)

**General**

Product Family	Application Tooling
Series	<a href="#">207123</a>
Comments	See Tooling Specification (PDF) Above
Function	Insertion
Geographic Area	Global
Level of Automation	Manual
More Detailed Tech Information	<a href="mailto:applicationtooling@molex.com">applicationtooling@molex.com</a>
Overview	<a href="#">Application Tooling</a>
Product Name	Impel
Tool Type	Press-Fit Insertion Tool
UPC	887191313887
Warranty Disclaimer	CAUTION: Molex tooling crimp specifications are valid only when used with Molex terminals and tooling manufactured by Molex and sold by Molex or authorized distributors ("Molex Tooling"). When using tooling other than Molex Tooling with Molex specific connector systems listed in our ATS documents, the Molex tooling qualification does not apply and the responsibility for full qualification of the connector system is that of the customer. Molex accepts no liability for connector performance or tooling support where tooling other than Molex Tooling is used or where Molex Tooling is modified.

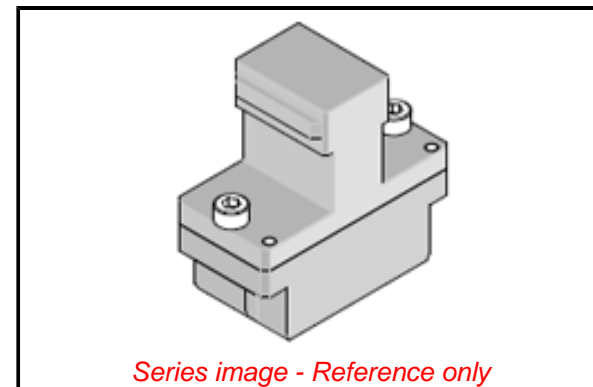
**Physical**

Net Weight 80.500/g

**Material Info**

**Reference - Drawing Numbers**

Application Tooling Documents [ATS-622018949](#)



**EU ELV**

**Not Relevant**

**EU RoHS**

**Compliant**

**REACH SVHC**

Not Contained Per  
-ED/79/2015 (17  
December 2015)

**Halogen-Free**

**Status**

**Not Relevant**

For more information, please visit [Contact US](#)

China ROHS

ELV

RoHS Phthalates

**China RoHS**

Not Relevant

Not Relevant

Not Contained

**Search Parts in this Series**

[207123 Series](#)

**Use With**

IMPEL Backplane Assembly, 6-Pair by 8  
Column Assemblies [171395](#)

**Application Tooling** | [FAQ](#)

**Description**

**Product #**

Impel 6Px8C BP

[1713955827](#)

Assy GDR B Key

4.90 0.36