

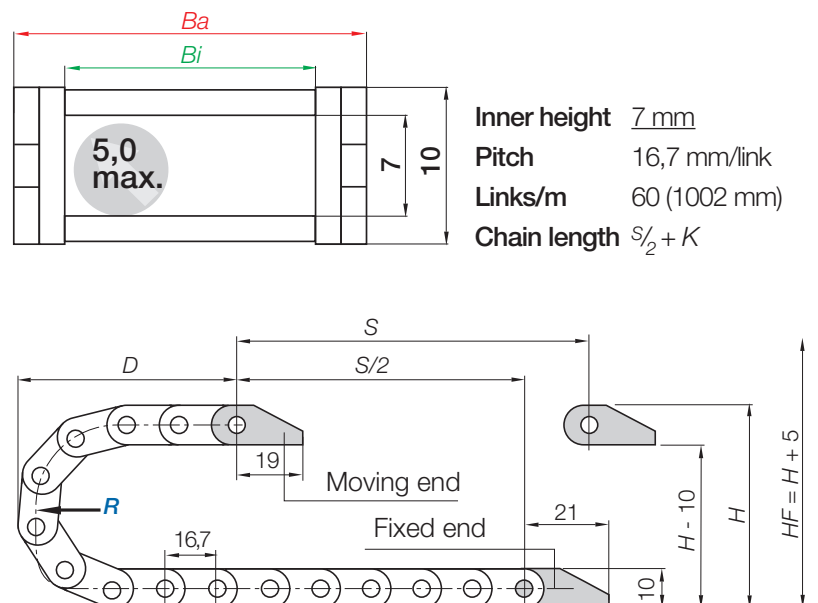
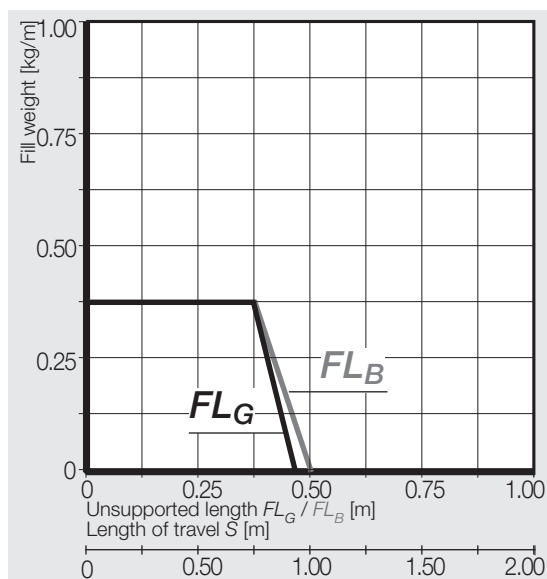


Series 04 | One-piece, non snap-open e-chain®

| e-chain® non snap-open | <i>Bi</i> [mm] | <i>Ba</i> [mm] | <i>R</i> Bending radii [mm] | Weight [kg/m] |
|---------------------------|-------------------|-------------------|--------------------------------|------------------|
| 04. 07 .R.0 | 7 | 12 | 015 018 028 038 048 | ≈ 0,07 |
| 04. 10 .R.0 | 10 | 15 | 015 018 028 038 048 | ≈ 0,08 |
| 04. 16 .R.0 | 16 | 21 | 015 018 028 038 048 | ≈ 0,09 |
| 04. 20 .R.0 | 20 | 25 | 015 018 028 038 048 | ≈ 0,10 |
| 04. 30 .R.0 | 30 | 35 | 015 018 028 038 048 | ≈ 0,11 |

Supplement Part No. with required radius (*R*). Example: 04.10.028.0

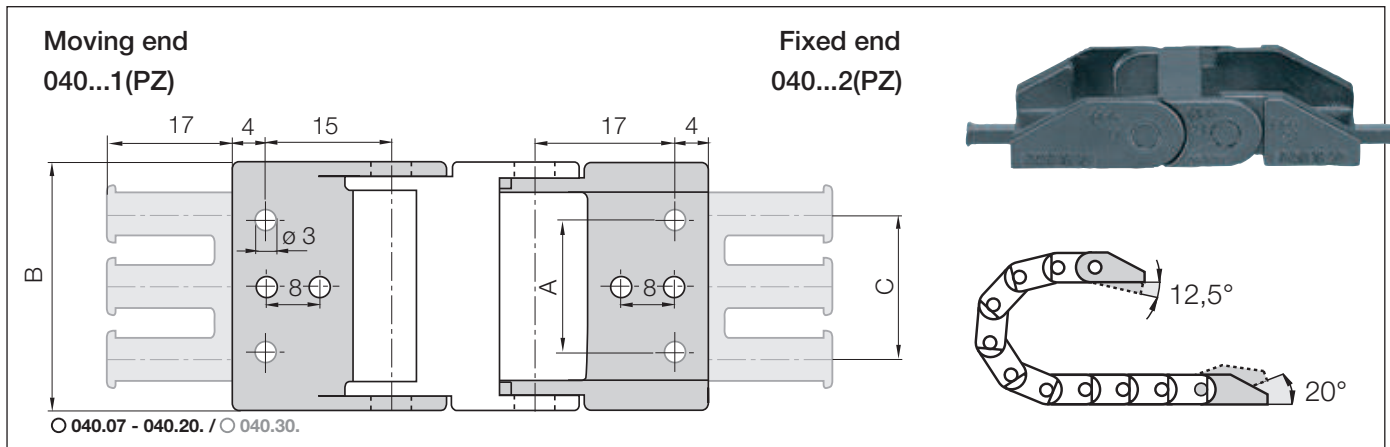
Dimensions



| <i>R</i> | 015 | 018 | 028 | 038 | 048 |
|----------|-----|-----|-----|-----|-----|
| <i>H</i> | 40 | 46 | 66 | 86 | 106 |
| <i>D</i> | 45 | 48 | 58 | 68 | 78 |
| <i>K</i> | 85 | 90 | 125 | 155 | 185 |

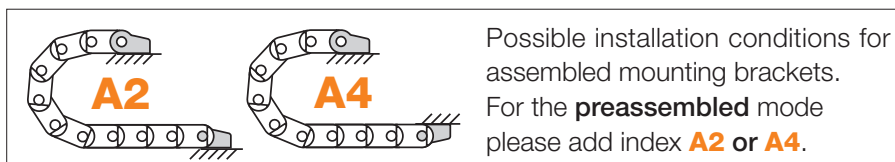
The required clearance height: $H_F = H + 5$ mm (with 0,1 kg/m fill weight)

Mounting brackets, polymer one-piece | pivoting | More features ► www.igus.eu/04



| Width Index | Standard | Part No. full set with tie-wrap plates | Part No. full set without tie-wrap plates | Dim. A [mm] | Dim. B [mm] | Dim. C [mm] | Number of teeth |
|-------------|----------|--|---|-------------|-------------|-------------|-----------------|
| .07. | ► | 040.07.12PZ | 040.07.12 | – | 12 | – | 1 |
| .10. | ► | 040.10.12PZ | 040.10.12 | – | 15 | – | 1 |
| .16. | ► | 040.16.12PZ | 040.16.12 | – | 21 | 10 | 2 |
| .20. | ► | 040.20.12PZ | 040.20.12 | – | 25 | 10 | 2 |
| .30. | ► | 040.30.12PZ | 040.30.12 | 22 | 35 | 20 | 3 |

○ Drilling pattern for width index: 040.07 - 040.20. center bores only / ○ 040.30. outer bores only (see figure above)



Part No. structure

