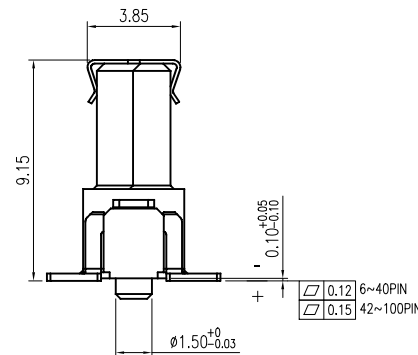
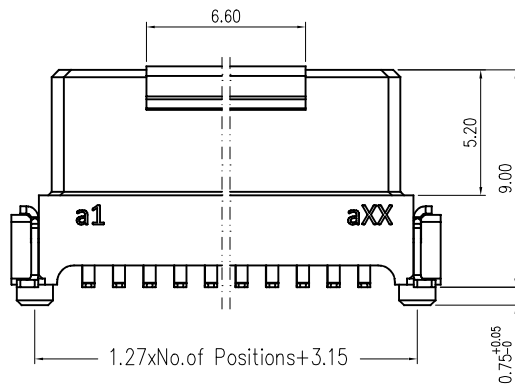
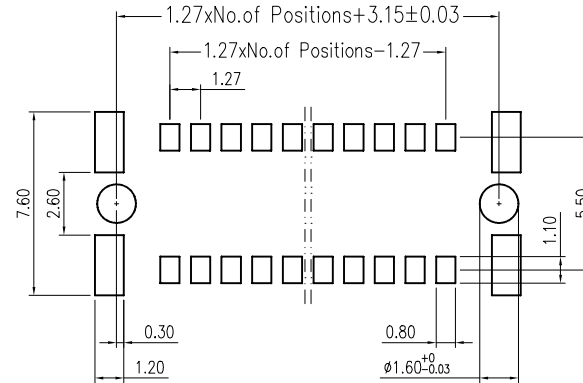
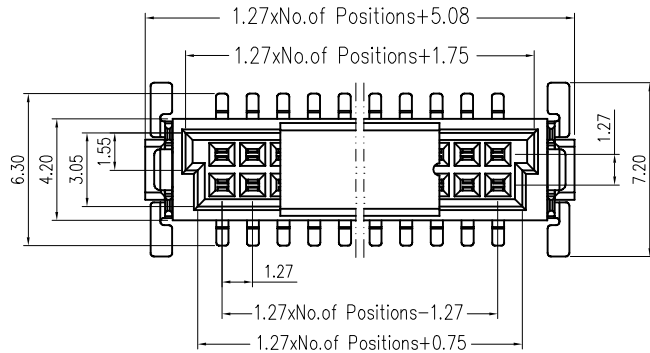


LAT-CON 127, Female, Height 9 mm, Pitch 1.27 mm

Recommended P.C.B Layout (Top Side)
(PCB BOARD TOLERANCE ± 0.05)



NOTES:

Rated Current: 0.5 AMP.
Contact Resistance: 25m Ω Max.
Withstand Voltage: 500V
Insulation Resistance: 10000M Ω Min.
Operation Temperature: -55°C to +125°C

Contact Material: Phosphor Bronze
Contact Plating: Sn and Au over Ni
Tail Material: Phosphor Bronze
Tail Plating: Sn over Ni
Main Body Material: LCP

Pancon P/N	Pin
033M012-467U	12
033M016-467U	16
033M020-467U	20
033M026-467U	26
033M032-467U	32
033M040-467U	40
033M050-467U	50
033M068-467U	68
033M080-467U	80

Nr.	DATE	NOTE	NAME
22.01.2018		issued	VAV