

## PIEZO BUZZER

Customer	
Customer P/O	
BeStar Model Name	BPT-17B
Product No.	030400
Issue No.	BS/TEP01.026B
Issue Date	02/01/31

### Approval:

1. Characteristic
2. Dimension
3. Frequency Response
4. Reliability Test

Prepared	Chec.	Appr.	Revision		
			No.	Date	Contents
			0	02/01/31	
			1	04/07/15	Temperature & Reliability test
			2		
			3		



BESTAR ELECTRONICS INDUSTRY CO.,LTD  
TianAn Industry Park4/F, Site B ChangZhou New District  
Tel:86-519-5103228  
Fax:86-519-5131010  
Http:www.be-star.com  
E-Mail:bestarco@pub.cz.jsinfo.net

## BPT-17B

**Appearance:** The speaker should not exist any obstacle to normal operation: damage, crack, rust and distortion etc.

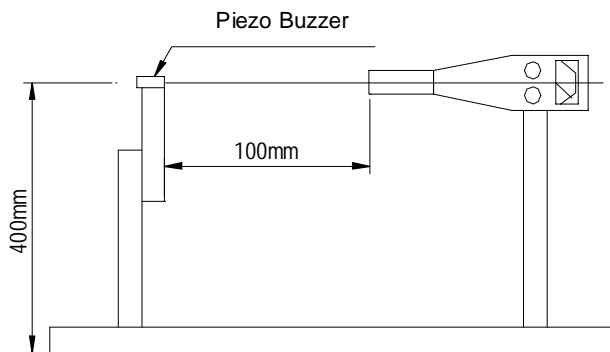


### 1. Characteristic

#### Electrical and Mechanical Characteristics

No.	Item	Specifications
1.	Rated Voltage(Square Wave)	5Vp-p
2.	Max. Voltage	30Vp-p
3.	a)Rated Current	max1mA
4.	Capacitance at 120Hz	14000 ± 30%pF
5.	a)Sound Output at 4KHz,10cm	min78dB
6.	Resonant Frequency	4000 ± 500 Hz
7.	Operating Temperature	-20...+70 ° C
8.	Storage Temperature	-30...+80 ° C
9.	Weight	1 g
a)Value applying at rated voltage.		

#### ★ Standard Output Measurement Setup



This print and information there in are proprietary to Bestar Electronics Industry Co., Ltd. and shall not be used in whole or in part without its written content 030400

DIS.		DATE		Page:1 of 3
CHEC.		DATE		3rd angle projection
APPR.		DATE		



**BESTAR ELECTRONICS INDUSTRY CO.,LTD**  
 TianAn Industry Park 4/F,Site B ChangZhou New District  
 E-Mail:bestarco@ pub.cz.jsinfo.net Http:www.be-star.com

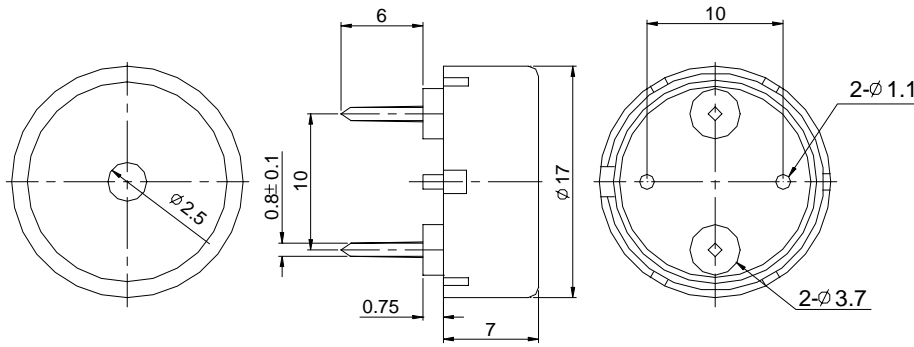
BPT-17B
Piezo Buzzer
DRG NO BS/TEP01.026A

## BPT-17B

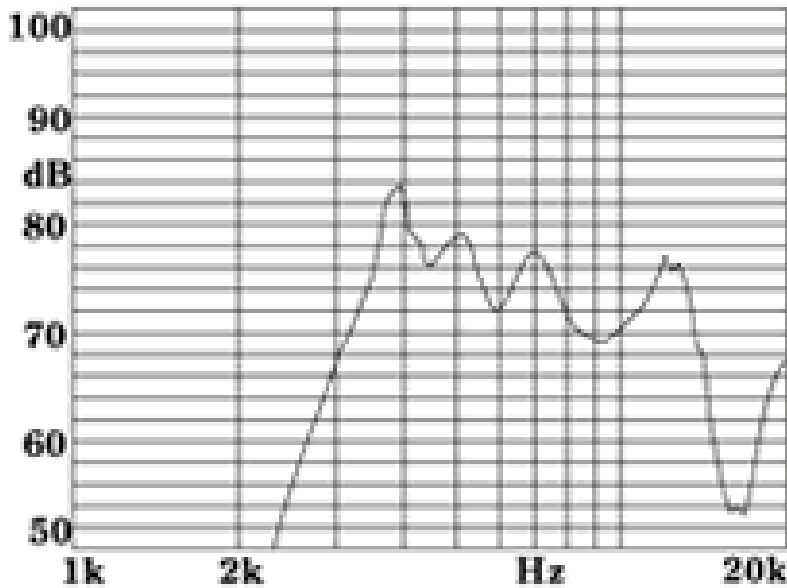
### 2. Dimension

Tolerance:  $\pm 0.3$


Unit:mm



### 3. Frequency Response



This print and information there in are proprietary to Bestar Electronics Industry Co., Ltd. and shall not be used in whole or in part without its written content 030400

DIS.		DATE		Page:2 of 3 3rd angle projection	BPT-17B
CHEC.		DATE			Piezo Buzzer
APPR.		DATE			DRG NO BS/TEP01.026B
 <b>BESTAR ELECTRONICS INDUSTRY CO.,LTD</b> TianAn Industry Park 4/F,Site B ChangZhou New District E-Mail:bestarco@ pub.cz.jsinfo.net Http:www.be-star.com					

## BPT-17B

### 4. Reliability test

#### 4.1 high temperature test

Temperature	+80° C
Relative Humidity	95%
Apply voltage	6Vp-p square wave
Frequency	4kHz
Duration	500hrs

#### 4.2 low temperature test

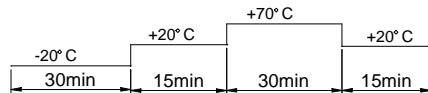
Temperature	-20° C
Duration	96hrs

#### 4.3 Humidity Test

Temperature	+60° C
Relative Humidity	95%
apply voltage	5Vp-p square wave
Frequency	4kHz
Duration	500hrs

#### 4.4 temperature cycle test

Cycles 5



all these tests above should be measured after leaving normal temperature for 2hrs.

#### 4.6 Drop test

Height	70cm
(to 10mm thickness woodenboard)	
Direction	3

#### 4.7 Solderability

Temperature	250± 5° C
Duration	3± 0.5sec

Notice: All specification must be satisfied in this condition.and except S.P.L,  
S.P.L shall be initial value ± 10dB .

This print and information there in are proprietary to Bestar Electronics Industry Co., Ltd. and shall not be used in whole or in part without its written content 030400

DIS.		DATE		Page:3 of 3	BPT-17B
CHEC.		DATE		3rd angle projection	
APPR.		DATE			Piezo Buzzer
 <b>BESTAR ELECTRONICS INDUSTRY CO.,LTD</b> TianAn Industry Park 4/F,Site B ChangZhou New District E-Mail:bestarco@ pub.cz.jsinfo.net Http:www.be-star.com					DRG NO BS/TEP01.026B