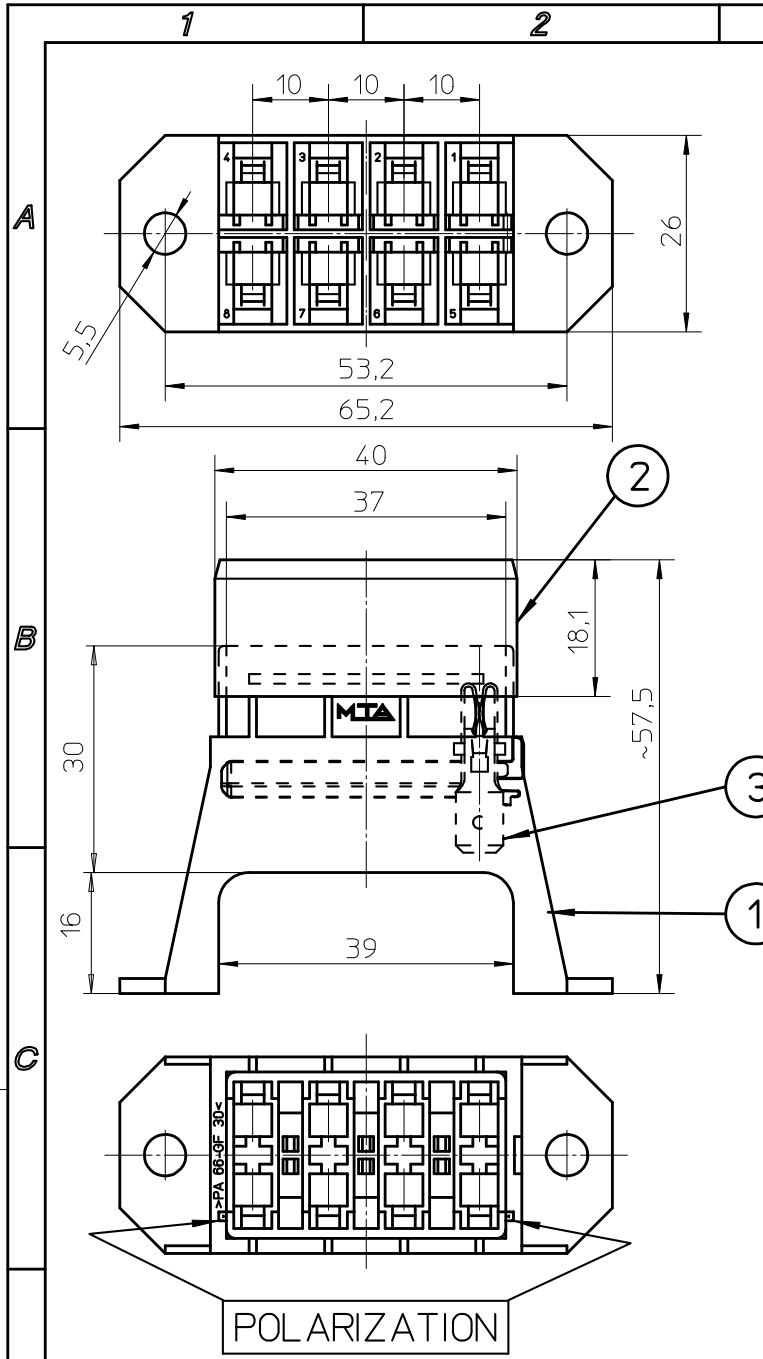
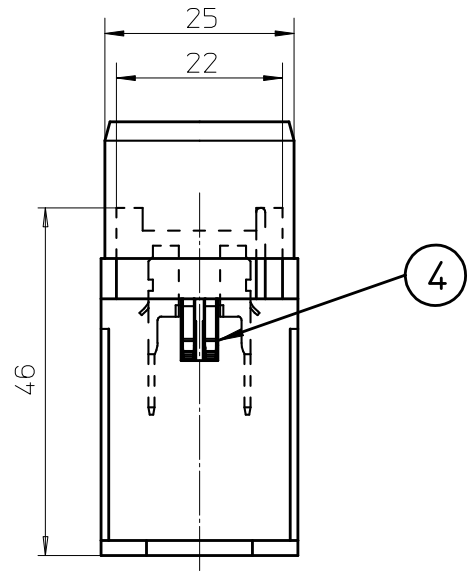


All proprietary rights reserved by MTA Sp.A. - This drawing shall not be reproduced, or in any way utilized, for the manufacture of the component or unit herein illustrated and must not be released to other parties, without written consent. Any infringement will be legally pursued.



OPERATING FEATURES		
FEATURE	UNIT	VALUE
$V_{max}$	V	32
$T_{min} - T_{max}$	°C	-30 / +85
* I Global Continuous	A	80
IP	IEC 529	22



\*APPLICATION WITH GLOBAL CURRENT HIGHER THAN THE INDICATED ONE, HAVE TO BE VERIFIED AND AUDITED ONE BY ONE

**ONLY FOR REFERENCE**

Pos.	Q.ty	DENOMINATION	MATERIAL
4	2	SECONDARY LOCK	PA 66 V2 - YELLOW COLOR
3	8	MALE TERMINAL	CuSn Tin Plated
2	1	COVER	PC V2 - TRANSPARENT
1	1	BODY	PA 66-GF30 HB - BLACK COLOR

<b>MTA</b>		MTA P/N	0100540/20			Denom. FUSE BOX UNIVALE AXIAL 4WAY	
		Draw No.	B0-002.012A			Used for	
Rel. Level	APPROVED		Draw for	CLIENT		Relevant Standard	
Draft	Date	Name	Scale	Weight(g)	Lin.Tol.±	Ang.Tol.±	Material SEE TABLE
Chk	28/12/1995	L. BASSI	1:1		0.3		Coating SEE TABLE
PQApp	30/07/2008	R.GONZALEZ	A4	Dimensions in (mm)	Sheet	1/1	Color SEE TABLE
App.	30/07/2008	M.CORBANI					

7	LATERAL HOLES REMOVED	
No.	Reason for Revision	Date 30/07/2008 Name S.BEDUSCHI