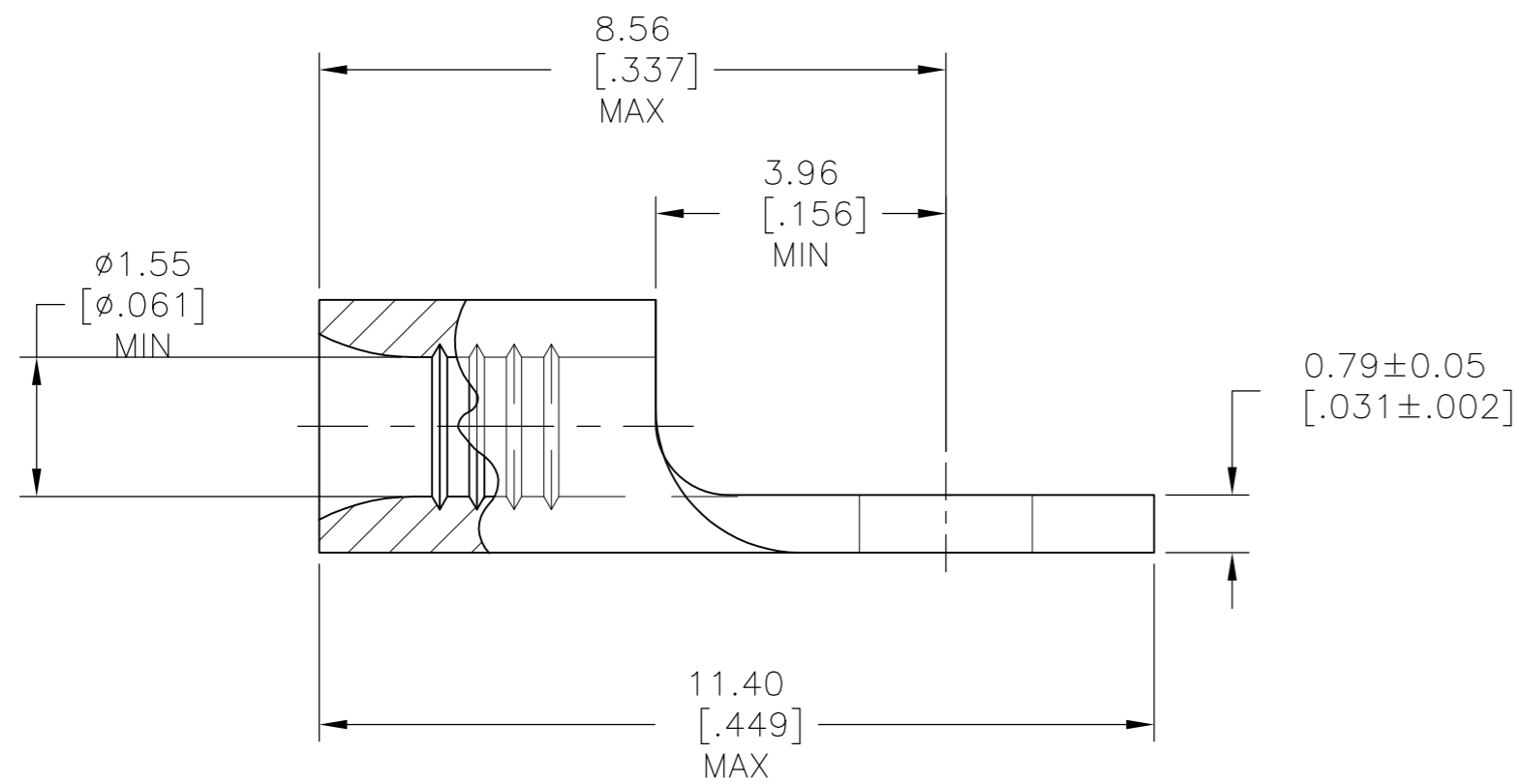
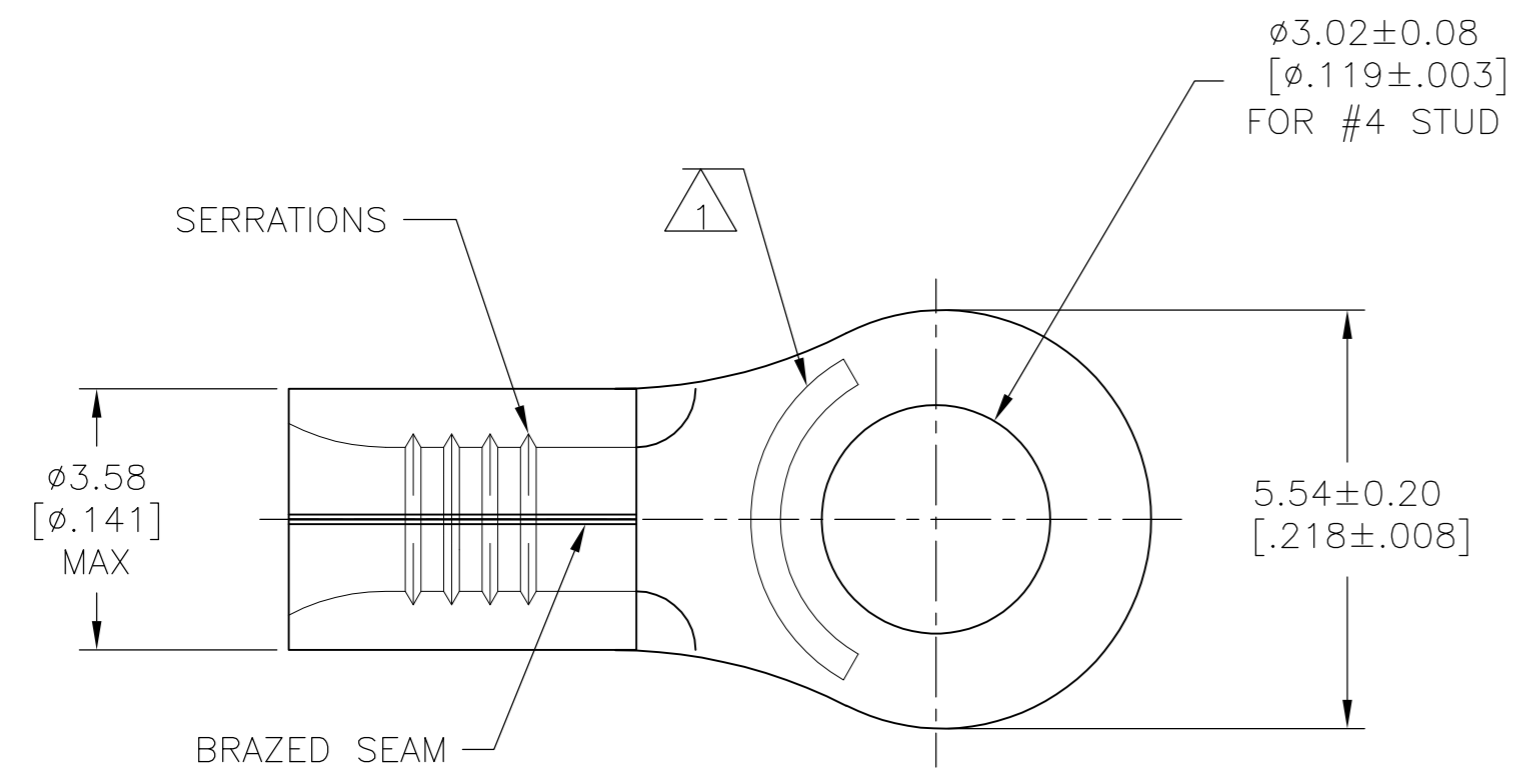


THIS DRAWING IS UNPUBLISHED. RELEASED FOR PUBLICATION
 © COPYRIGHT - By - ALL RIGHTS RESERVED.

LOC	DIST	REVISIONS					
		P	LTR	DESCRIPTION	DATE	DWN	APVD
G	14	N1		REVISED PER ECO-13-018569	28NOV2013	KH	DR

AMP
WIRE RANGE

22-16 AWG
SOLID OR STRANDED



- 1 STAMP AMP 22-18* APPROX AS SHOWN
22-16 TERMINALS ARE STAMPED 22-18 IN ACCORDANCE WITH MILITARY SPECIFICATION SAE AS7928; COMMERCIAL WIRE RANGE IS 22-16
- 2 TIN PLATE 0.00254 [0.000100] MIN EXT THK PER ASTM-B-545.
- 3 TIN LEAD PLATE 0.01016-0.02032[0.000400-.000800] MIN EXT THK PER MIL-P-81728
- 4 GOLD PLATE, 0.00254[0.000100] MIN EXT THK PER ASTM B488 TYPE 1, CODE C OVER NICKEL PLATE 0.00127[0.000050] MIN EXT THK PER SAE AMS QQ-N-290. OVER Cu FLASH PER SAE AMS 2418.
- 5 CLEANED, UNPLATED
- 6 .000300 MIN EXT THK NICKEL PER SAE AMS QQ-N-290
- 7 COPPER PER ASTM B-152, ANNEALED
- 8 UL LISTED E13288, 22-16 AWG SOLID OR STRANDED.
- 9 CSA CERTIFIED LR7189, 22-16 AWG SOLID OR STRANDED
- 10 MILITARY P/N AND CLASS: M7928/7-2 CLASS 2
- 11 PRELIMINARY - NOT FOR PRODUCTION
- 12 NOTE DELETED

MAX TEMP	FINISH	QTY	PACKAGE TYPE	PART NO.
170°C	2	100	LOOSE PIECE, BOX	8-34104-1
170°C	2	5000	34104 ON TAPE	2-34104-6
343°C	6	1000	LOOSE PIECE	34104-6
170°C	5	1000	LOOSE PIECE	34104-5
260°C	4	1000	LOOSE PIECE	34104-4
170°C	3	5000	34104-2 ON TAPE	34104-3
170°C	3	1000	LOOSE PIECE	34104-2
170°C	2	1000	LOOSE PIECE	34104

AMP INCORPORATED CUSTOMER SERVICE SYSTEMS		MAX RECOMMENDED OPERATING TEMPERATURE: SEE TABLE
FOR ADDITIONAL PRODUCT INFORMATION OR COPIES OF DRAWINGS AND TECHNICAL DOCUMENTS	PRODUCT INFORMATION CENTER 1-800-522-6752	VOLTAGE RATING: N/A
FOR APPLICATION TOOLING INFORMATION	TOOLING ASSISTANCE CENTER 1-800-722-1111	CIRCULAR MIL AREA: 0.26-1.65mm² [509-3260] SOLID OR STRANDED
FOR ORDER ENTRY	1-800-526-5142	THIS DRAWING IS A CONTROLLED DOCUMENT FOR AMP INCORPORATED. IT IS SUBJECT TO CHANGE AND THE CONTROLLING ENGINEERING ORGANIZATION SHOULD BE CONTACTED FOR THE LATEST REVISION.

THIS DRAWING IS A CONTROLLED DOCUMENT.		DWN TA BRINKMAN 3-10-93	TE TE Connectivity	
DIMENSIONS: mm [INCHES]		CHK DA PATTERSON 3-10-93		
TOLERANCES UNLESS OTHERWISE SPECIFIED:		APVD JL MECKLEY 3-10-93	NAME TERMINAL, RING TONGUE, SOLISTRAND, WIRE SIZE: 22-16 AWG	
0 PLC ± - 1 PLC ± - 2 PLC ± - 3 PLC ± - 4 PLC ± - ANGLES ± -		PRODUCT SPEC -	SIZE A2	CAGE CODE 00779
MATERIAL 7	FINISH SEE TABLE	APPLICATION SPEC -	DRAWING NO C=34104	RESTRICTED TO -
CUSTOMER DRAWING			SCALE 10:1	SHEET 1 of 1
			REV N1	