

Filter Code: **FPF20KGR230B-110**

Description: Fan Filter 230 Va.c.


## MECHANICAL SPECIFICATIONS

Dimensions: **325x325x151 mm**  
 Weight: **3,7 Kg**  
 Type of material: **ABS/PC UL94V-0**  
 Colour: **RAL 7032**  
 Protection degree: **IP54 (EN60529)**  
 Fastener: **by elastic hooks**  
 Plate thickness: **from 1,5 to 2,2 mm**  
 Storage temp.: **-30°C to +75°C**  
 Electric connection: **by terminals block 2,5mm<sup>2</sup>**  
 Earth connection: **by terminal block 2,5mm<sup>2</sup>**

## OPERATING FEATURES

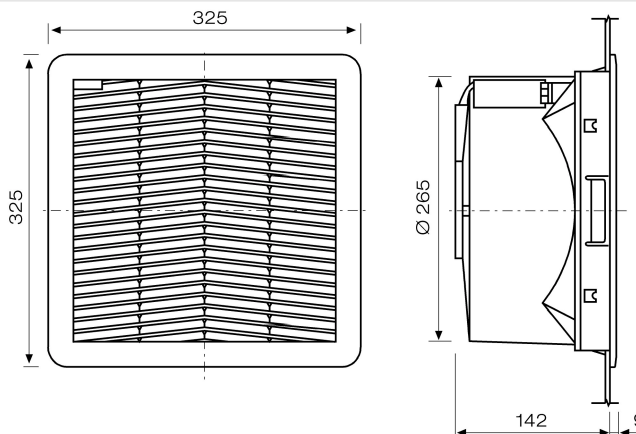
Rated voltage: **230 [V]**  
 Rated frequency: **50/60 [Hz]**  
 Rated power: **140/185 [W]**  
 Rated current: **470/650 [mA]**  
 Fan speed: **2525 [rpm]**  
 Noise: **71.0 [dB(A)]**  
 Operating temp.: **- 10°C to +55°C**  
 Relative humidity: **90% max**  
 Life (L10) at 40°C: **53.000 hours**

## PERFORMANCES and APPROVALS

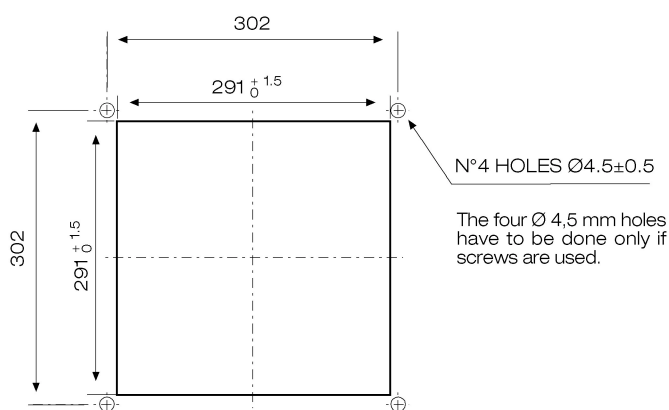
Max air flow: **650/730 [m<sup>3</sup>/h]**  
 Max static pressure: **186/213 [Pa]**  
 Type of media: **P15/350S**  
 Flammability: **F1 (DIN 53438)**  
 Filtering class: **EU3 (DIN 24185)**  
 Degree of separation: **85% (DIN 24185)**  
 Degree of efficacy: **< 20% (DIN 24185)**  
 Dust storage capacity: **600 g/m<sup>2</sup>**  
 Approvals: 

Note: the media is washable

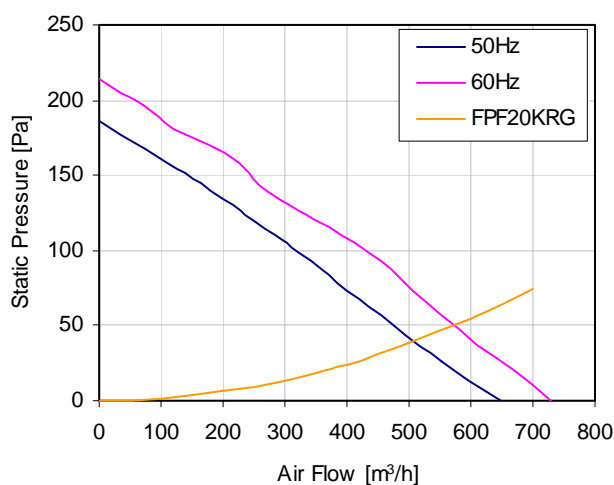
## FAN FILTER DIMENSIONS [mm]



## DIMENSIONS CUT-OUT [mm]



## PERFORMANCE CURVES



All specifications, data and drawings are subject to change without notice and are approximate.

CSF-G10/4

Please refer to our terms of sales including our warranty and limited liabilities clauses.