

Soft Start Up Valve

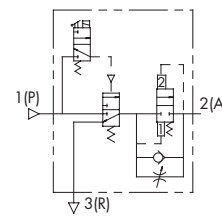
Series **EAV2/3/4/5000**

Features

- ➔ Soft start up valve.
- ➔ Integrated pressure release function.
- ➔ Adjustable fill bleed orifice.
- ➔ Pressure gauge can be fitted.
- ➔ Low power consumption.
- ➔ Connectable with modular type FRL combination unit.
- ➔ Large Cv factor.
- ➔ High relief capacity.



JIS Symbol



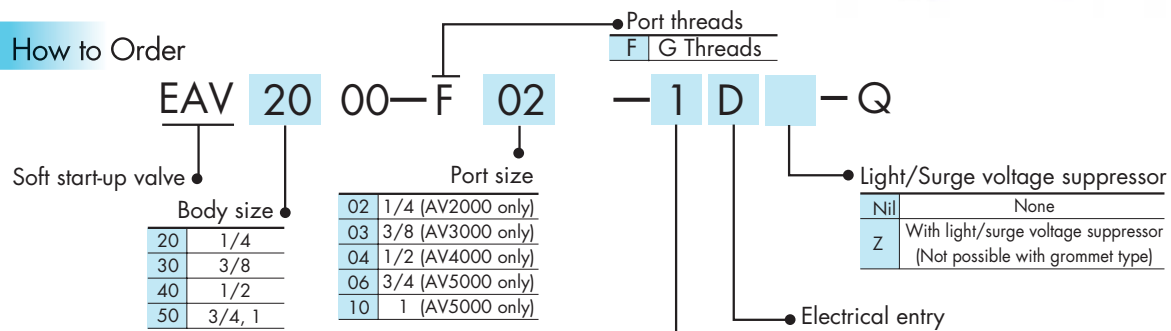
Specifications

Model		EAV2000	EAV3000	EAV4000	EAV5000		
Port size		1/4	3/8	1/2	3/4	1	
Proof pressure		1.5 MPa					
Operating pressure range		0.2 to 1 MPa					
Pressure gauge port size		1/8					
Ambient and fluid temperature		0 to 60°C (1)					
Effective area (mm ²)	1(P) → 2(A)	20	37	61	113	122	
	2(A) → 3(R)	24	49	76	132	141	
Weight (kg)		0.27	0.48	0.74	1.60	1.54	
Electrical specifications	Rated coil voltage	100, 200, 110 to 120, 220 VAC (50/60 Hz), 12, 24 VDC					
	Allowable voltage fluctuation	-15 to +10% of rated voltage					
	Coil insulation type	Equivalent to B type (130°C)					
	Apparent power, AC (Current consumption)	Inrush	5.6 VA (50 Hz), 5.0 VA (60 Hz)				
		Energized	3.4 VA (2.1 W)/50 Hz, 2.3 VA (1.5 W)/60 Hz				
Power DC		1.8 W					
Electrical entry		Type D DIN terminal, Type Y DIN terminal					



Air Preparation

How to Order



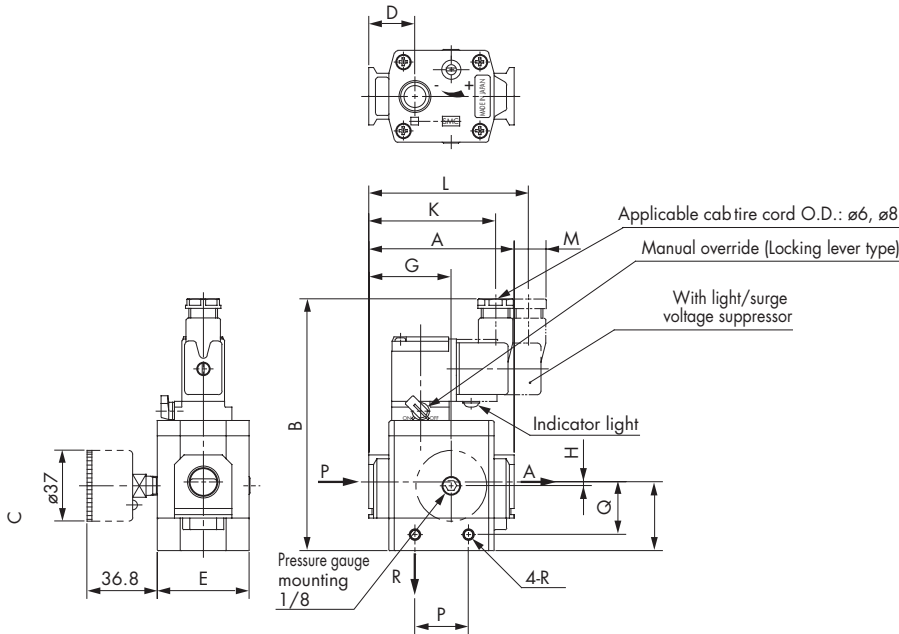
Accessory/Pressure Gauge

Description	Pressure gauge
Part no.	G36-10-01
Pressure range	1 MPa

D: Type D DIN terminal	Y: Type Y DIN terminal
Industry standard pin spacing.	DIN43650 Form B Pin spacing

Dimensions

DIN terminal for European use: EAV□00-□-□Y, D



Model	Port size	A	B	C	D	E	G	H	I	K	L	M	N	P	Q	R
EAV2000-F02-□D	1/4	66	125	31	22	40	38	0	—	65.5	—	6	—	29	23.5	M4 Depth 4.5
EAV2000-F02-□DZ										—	82.5	23				
EAV2000-F02-□Y	1/4	66	125	31	22	40	38	0	—	67.5	—	10.5	—	29	23.5	M4 Depth 4.5
EAV2000-F02-□YZ										—	84.5	27.5				
EAV3000-F03-□D	3/8	76	132	36	24	48	43	2	—	68.5	—	—	—	28	27.5	M5 Depth 5
EAV3000-F03-□DZ										—	85.5	16				
EAV3000-F03-□Y	3/8	76	132	36	24	48	43	2	—	70.5	—	3.5	—	28	27.5	M5 Depth 5
EAV3000-F03-□YZ										—	87.5	20.5				
EAV4000-F04-□D	1/2	98	147	47	32	52	57	3	—	80.5	—	—	—	42	37	M6 Depth 6
EAV4000-F04-□DZ										—	97.5	6				
EAV4000-F04-□Y	1/2	98	147	47	32	52	57	3	—	82.5	—	—	—	42	37	M6 Depth 6
EAV4000-F04-□YZ										—	99.5	10.5				
EAV5000-F□-□D	3/4, 1	128	175	59	39	74	77	0	—	90	—	—	—	50	46	M6 Depth 7.5
EAV5000-F□-□DZ										—	107	—				
EAV5000-F□-□Y	3/4, 1	128	175	59	39	74	77	0	—	94	—	—	—	50	46	M6 Depth 7.5
EAV5000-F□-□YZ										—	111	—				

