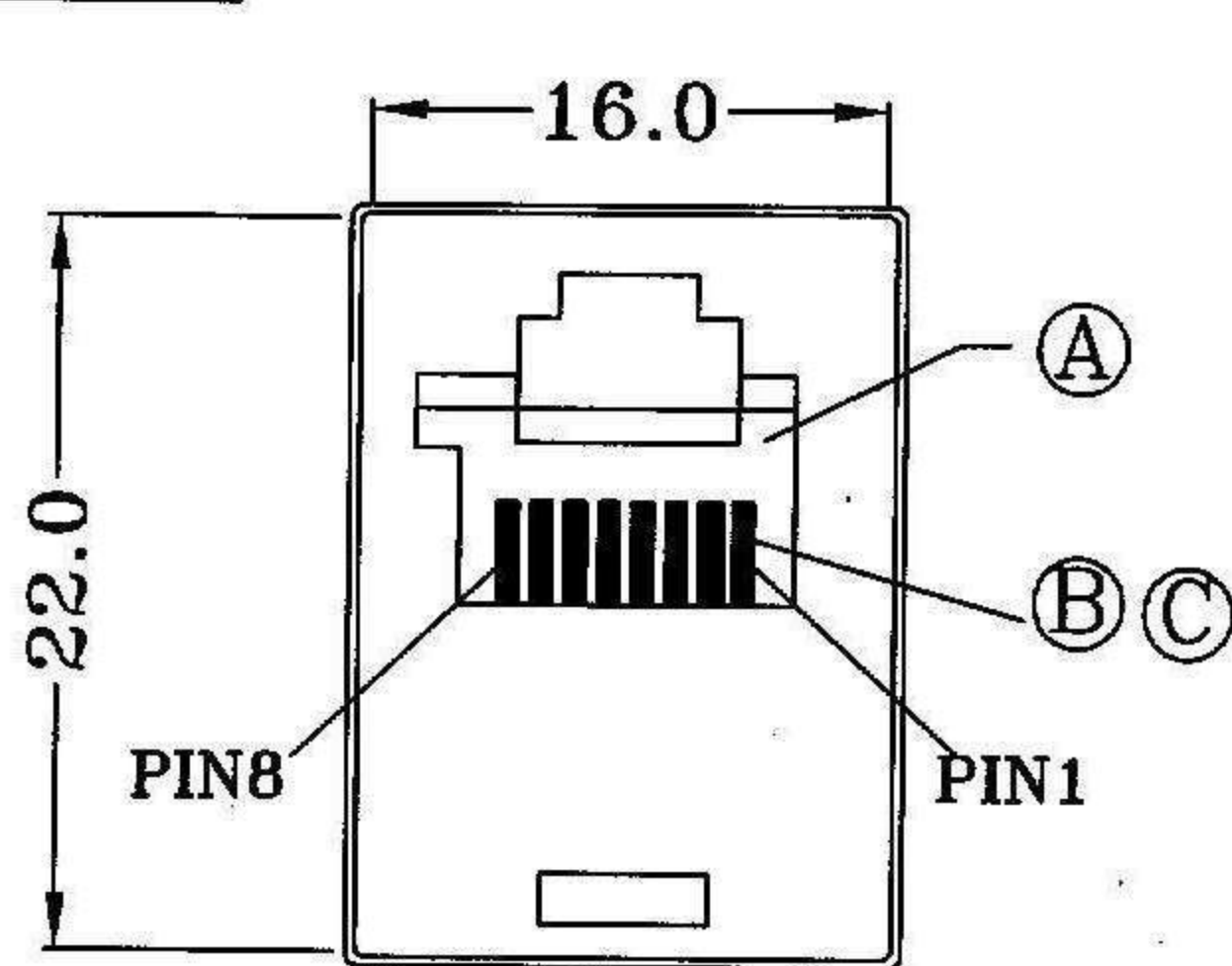
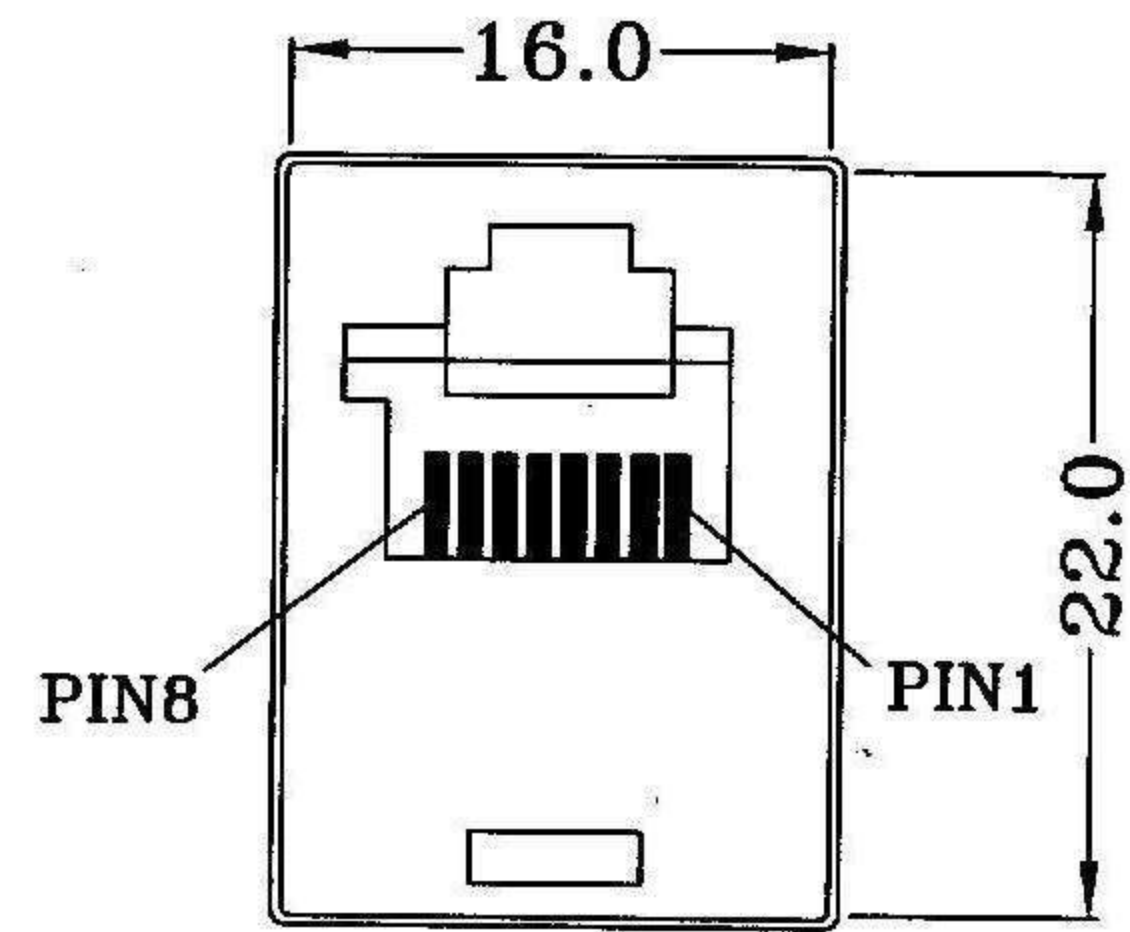
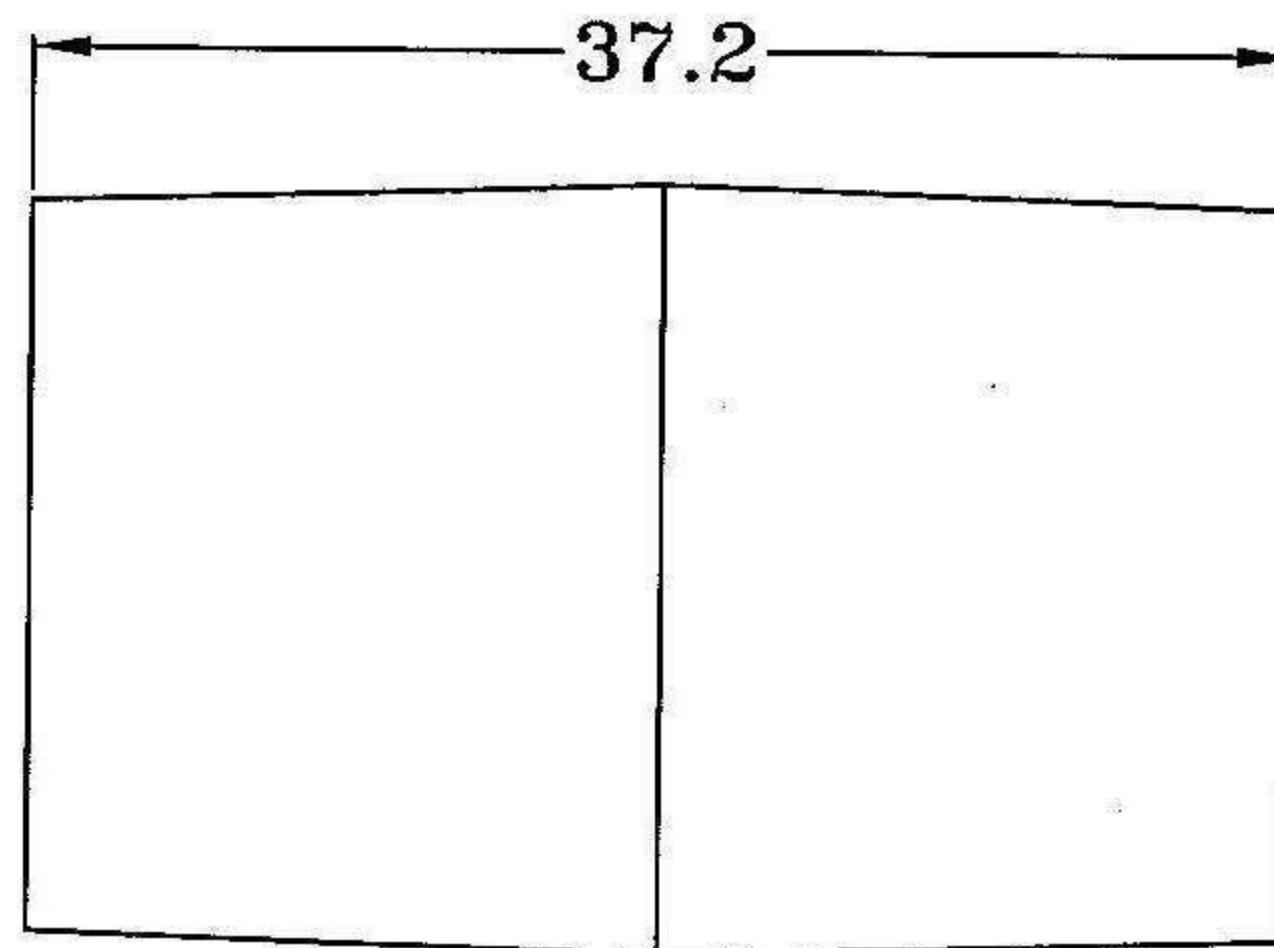


LW-R-06 A/2



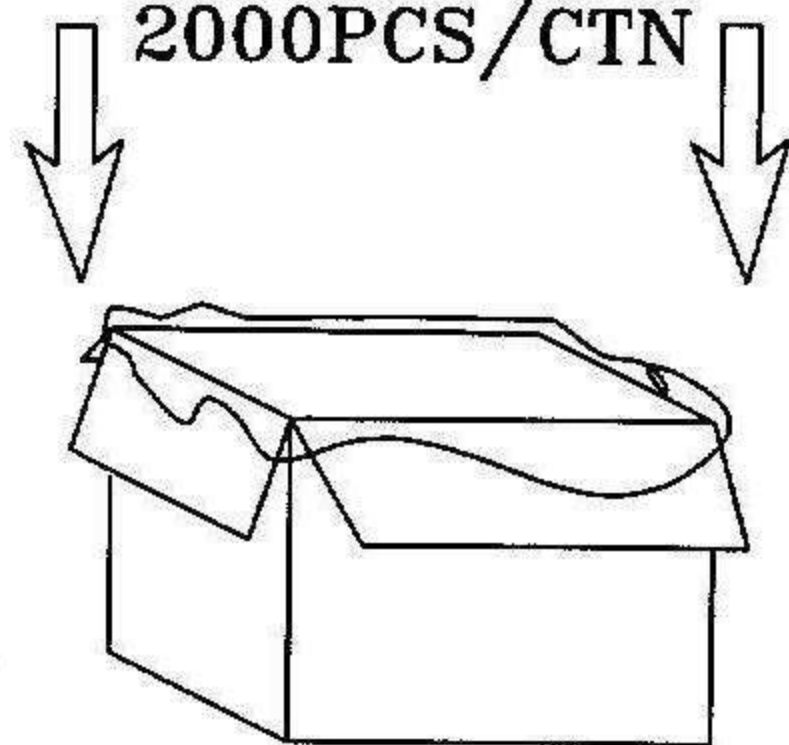
P1



P2

100PCS/BAG/LABEL

2000PCS/CTN



P1	P2
1	1 BLUE
2	2 ORANGE
3	3 BLACK
4	4 RED
5	5 GREEN
6	6 YELLOW
7	7 BROWN
8	8 WHITE

TOLERANCE GENERALES

PLASTIC DIMENSION	X	X.X	X.XX	CABLE LENGTH	X
tolerance(±)	1	0.5	0.20	tolerance(±)	2%

ITEM NO	ITEM	DESCRIPTION	UNIT	QTY
C	GOLD WIRE	12MM,14MM GOLD FLUSH (GREEN PART)	PCS	16
B	WIRE	UL#1061 26AWG 50MM. (GREEN PART)	PCS	8
A	JACK	MODULAR JACK 8P8C ABS 94V-2 IVORY (GREEN PART)	PCS	1

DRAW		UNIT	MM
INSPECTED		CUS.PART NO.	202028
APPROVED		CUSTOMER	
TITLE	US030VX881NXF/100PLA		
DRAWING NO.	E1354	REV	A

ECN.NO.	-
NO.	US030
DATE	05-12-28

**LW** LI-WEI CO., ISO-9001