

SMALL COMPACT THERMOSTAT

STO 011 / STS 011

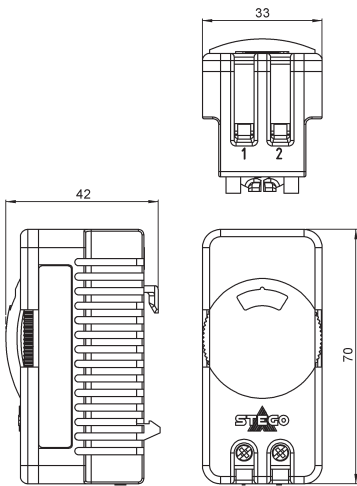


- > Thumbwheel setting dial
- > Small hysteresis
- > High switching capacity
- > Anti frost assurance
- > Optimized housing for better air flow

The mechanical thermostat is a two state regulator with small hysteresis. The setting wheel has an anti frost assurance. The housing ensures an optimized air circulation around the bimetal.

STO 011: Thermostat (NC); contact breaker for regulating heaters. The contact opens when temperature is rising.

STS 011: Thermostat (NO); contact maker for regulating of filter fans and heat exchangers or for switching signal devices when temperature limit has been exceeded. The contact closes when temperature is rising.



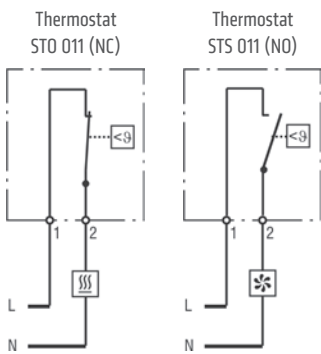
TECHNICAL DATA

Switch temperature difference	4 K (±3 K tolerance)
Sensor element	thermostatic bimetal
Contact type	snap-action contact
Service life	> 100,000 cycles
Max. switching capacity	AC 250 V, 10 (2) A / AC 120 V, 15 (2) A DC 30 W at DC 24 V to DC 72 V
Max. inrush current	AC 16 A for 10 sec.
Connection	2-pole terminal, clamping torque 1 Nm max.: rigid/stranded ¹ wire 2.5 mm ² (AWG 14)
Mounting	clip for 35 mm DIN rail, EN 60715
Casing	plastic according to UL94V-0, light grey
Dimensions	70 x 33 x 42 mm
Weight	approx. 50 g
Fitting position	variable
Operating/Storage temperature	-45 to +80 °C (-49 to +176 °F)
Operating/Storage humidity	max. 90 % RH (non-condensing)
Protection type	IP20
Approvals	VDE, UL File No. E164102, EAC



The anti frost assurance is a symbol on the setting scale of the NC thermostat (STO 011) at +11 °C. This setting assures closing of the switching contact before 0 °C.

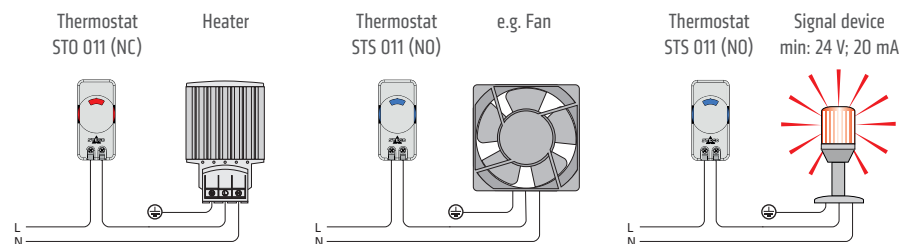
Connection diagrams



- Heater
- Filter fan, Cooling equipment, Signal device

¹ When connecting with stranded wires, wire end ferrules must be used.

Important note: The contact system of the regulator is subjected to environmental influences, thus the contact resistance may change. This can lead to a voltage drop and/or self-heating of the contacts.



Examples of connection

Setting range	Art. No. Contact breaker (NC)	Art. No. Contact maker (NO)
0 to +60 °C	01115.0-00	01116.0-00
+32 to +140 °F	01115.9-00	01116.9-00