

M

SR13C-A1

MAGNETIC CHARACTERISTICS 2

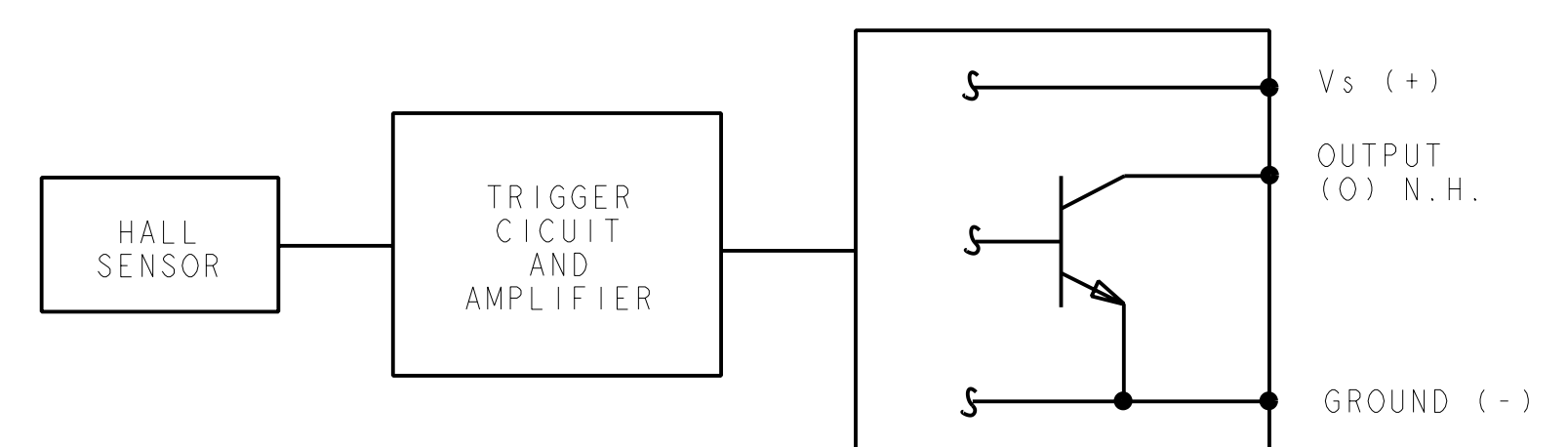
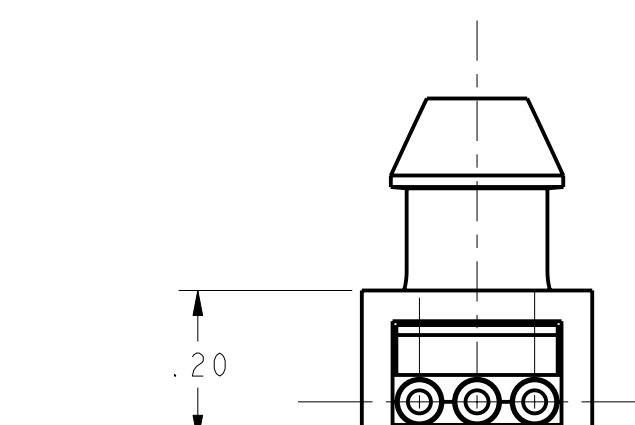
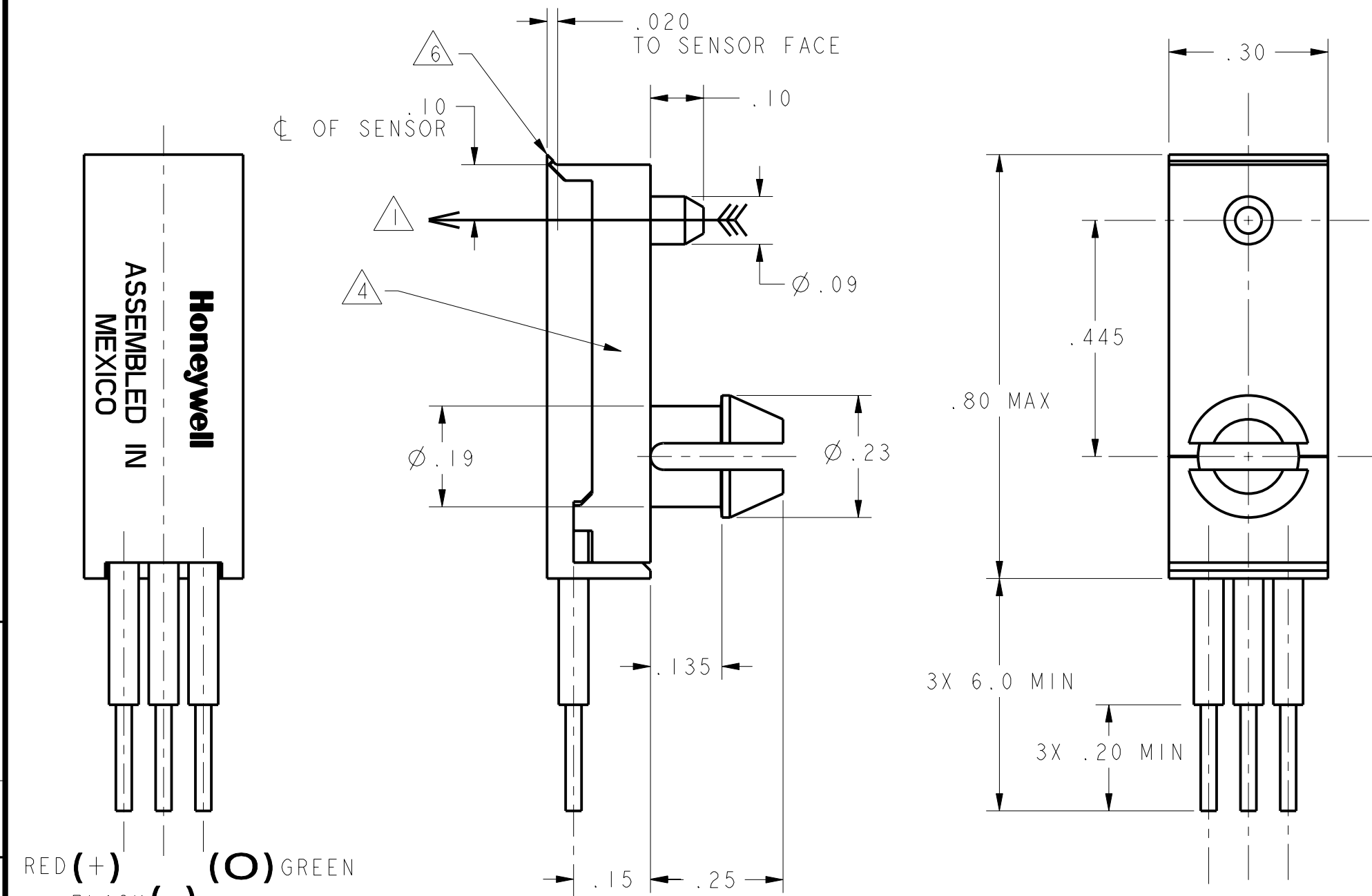
| | | |
|------------------------|------|---------------|
| TEMPERATURE RANGE | 25°C | -20°C TO 85°C |
| OPERATING GAUSS MAX | 180 | 215 |
| RELEASE GAUSS MIN | 75 | 60 |
| DIFFERENTIAL GAUSS MIN | 25 | 10 |

ELECTRICAL CHARACTERISTICS -40 TO 125°C 4.5 TO 24 VDC

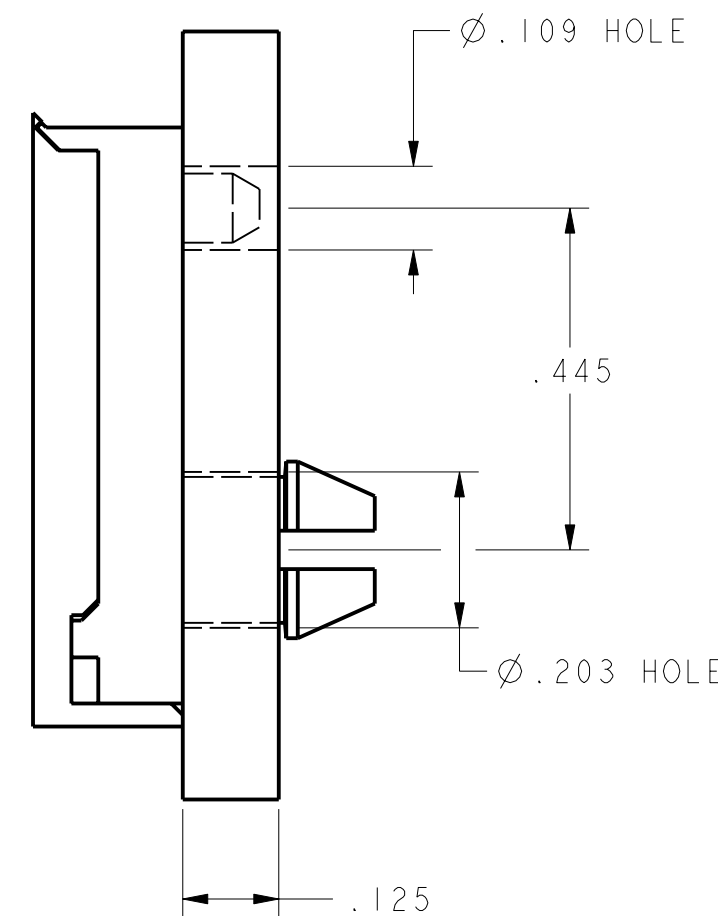
| | MINIMUM | MAXIMUM |
|-------------------------------------|---------|-----------|
| SUPPLY CURRENT | | 13 mA |
| OUTPUT VOLTAGE (ON) (SINKING 10 mA) | | 0.4 VOLTS |
| VOLTAGE APPLIED TO OUTPUT (OFF) | | 24 VOLTS |
| OUTPUT CURRENT MAX | | 20 mA |
| OUTPUT LEAKAGE CURRENT (OFF) | | 5 µA |
| OUTPUT SWITCHING TIME | | |
| RISE TIME (10% TO 90%) | | 1.5 µS |
| FALL TIME (90% TO 10%) | | 1.5 µS |

ABSOLUTE MAXIMUM RATINGS 3

| | |
|--------------------------------------|---|
| TEMPERATURE | -40°C TO +150°C |
| SUPPLY VOLTAGE | -1 VDC TO 25 VDC |
| VOLTAGE EXTERNALLY APPLIED TO OUTPUT | 25 VDC WITH SWITCH IN OFF COND. ONLY -0.5 VDC WITH SWITCH IN ON OR OFF COND. |
| OUTPUT CURRENT | 50 mA |
| MAGNETIC FLUX | NO LIMIT |



BLOCK DIAGRAM CURRENT SINKING OUTPUT



NOTES

- 1 THE MAGNETIC FLUX USED TO OPERATE THE SWITCH MUST BE IN THE DIRECTION AND LOCATION SHOWN (THIS ASSUMES THE CONVENTION THAT THE DIRECTION OF THE EXTERNAL FLUX OF A MAGNET IS FROM THE NORTH TO THE SOUTH POLE OF THE MAGNET)
- 2 THE MAGNETIC FIELD STRENGTH (GAUSS) REQUIRED TO CAUSE THE SWITCH TO CHANGE STATE (OPERATE AND RELEASE) WILL BE AS SPECIFIED IN THE MAGNETIC CHARACTERISTICS. TO TEST THE SWITCH AGAINST THE SPECIFIED MAGNETIC CHARACTERISTICS THE SWITCH MUST BE PLACED IN A UNIFORM MAGNETIC FIELD
- 3 ABSOLUTE MAXIMUM RATINGS ARE NOT GUARANTEED AS THE MAXIMUM LIMITS (ABOVE RECOMMENDED OPERATING CONDITIONS) ARE APPROACHED NOR WILL THE DEVICE NECESSARILY OPERATE AT MAXIMUM RATING
- 4 DATE CODE (YYWW) AND PART NUMBER LOCATED IN THIS AREA
- 5 - LEADWIRES ARE 24 GAUGE STRANDED
- 6 AFTER CLOSURE, HINGE BULGING IS ACCEPTABLE, BUT ANY JAGGED TEARING CAUSING LARGE SEPARATIONS GREATER THAN .010 IS UNACCEPTABLE



THIS DRAWING COVERS A PROPRIETARY ITEM AND IS THE PROPERTY OF MICRO SWITCH, A DIVISION OF HONEYWELL. THIS DRAWING IS NOT TO BE COPIED OR USED WITHOUT THE APPROVAL OF MICRO SWITCH.

MICRO SWITCH a Honeywell Division

MAGNETICALLY OPERATED HALL SENSOR

CATALOG LISTING SR13C-A1

FED. MFG. CODE 91929

THIRD ANGLE PROJECTION

SCALE 4 : 1

DO NOT SCALE PRINT

UNLESS OTHERWISE SPECIFIED TOLERANCES ARE

| | |
|---------------------|-------|
| ONE PLACE (.0) | ±.030 |
| TWO PLACES (.00) | ±.015 |
| THREE PLACES (.000) | ±.005 |
| ANGLES | ± |

WEIGHT

SR13C-A1
DRAWING NUMBER
ISSUE 4
P.T.C./CAD 30
DRAWN LJK
CHECKED JAF
DATE 2 MAY 99
RELEASE NO. DR-5244
REPLACES XI11671-SR

REVISIONS

| | | |
|---|----------|--|
| A | PR-24132 | |
| B | CO-95556 | |
| C | 201747 | |

ANSI Y14.5M-1982 APPLIES