



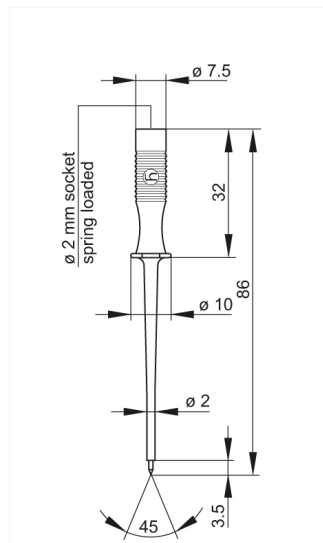
MPS 1 rot/red

Industrial Connectors:Measuring and Testing Equipment:Test probes:2 mm system

Product description

Description	Miniature test probe for sampling very small measuring points. The stainless steel tip easily penetrates insulation and oxide layers. Socket connection through a 2 mm diameter gold-plated socket with contact spring.
Type	MPS 1 rot/red
Order No.	973 531-101
System	2 mm system
Housing Color	red
Other standard types	black color, order no. 973 531-100

Drawing



Technical data

Pin dimensions	2 mm
Type of contact	socket (spring-loaded)
Type of termination	2 mm diameter socket
Rated voltage	DC 60 V
Contact resistance	100 mOhm

Material

Contact material	stainless steel
Contact surface material	nickel-plated
Housing material	PE

Environmental conditions

Temperature range	-25°C to +60°C
-------------------	----------------