

U.I. Lapp GmbH	PRODUCT INFORMATION	
	SKINTOP® INOX / SKINTOP® INOX-R	07.11.2014

Corrosion-resistant
Sea water-resistant
Smooth surfaces - no edges
Compact design
Wide, variable clamping ranges



Suitable for outdoor use



Good chemical resistance



Food & Beverage



Wide clamping range



Mechanical resistance



Temperature-resistant



Info

Stainless steel version with compact design
For use in the splash zone in the food production

Application range

Onshore and offshore applications
Bottling plants and breweries
Food industry (product-free zone, splash zone)

Product Make-up

Metric connection thread acc. to EN 50262

Norm references / Approvals

ECOLAB®
Industry standard for innovation and efficiency in the field of professional cleaning and disinfection
DIN EN 1672-2
Guideline for the design of machinery
DIN EN ISO 14 159
Security of machinery – Hygienic requirements
for the design of machinery

Note

EMC version is available upon request

Product Management	Document: LAPP_PRO214997EN.pdf	1 / 4
--------------------	--------------------------------	-------

U.I. Lapp GmbH	PRODUCT INFORMATION	
	SKINTOP® INOX / SKINTOP® INOX-R	07.11.2014

Remark

Photographs are not to scale and do not represent detailed images of the respective products.

Technical Data


Classification:	ETIM 5.0 Class-ID: EC000441 ETIM 5.0 Class-Description: cable screw gland
Material:	Body: Stainless steel - V4A (1.4404 / 316L) Insert: Polyamide Sealing ring: Silicone O-Ring: Silicone
Protection rating:	IP 68 - 10 bar (M12 - M20) IP 68 - 5 bar (M25 - M32) IP 69 K
Temperature range:	-40°C to +100°C

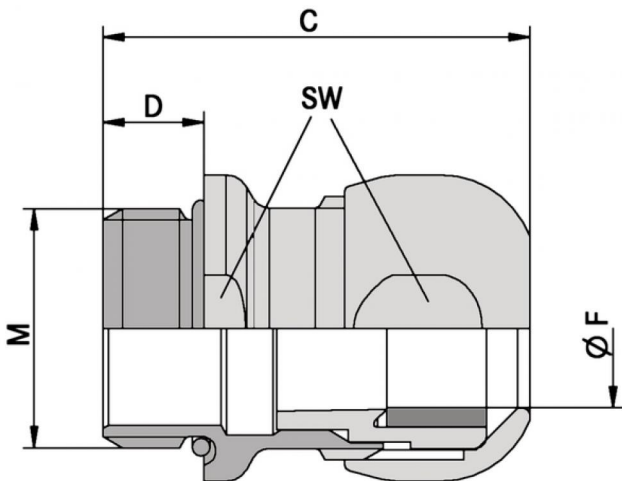
Product Management	Document: LAPP_PRO214997EN.pdf	2 / 4
--------------------	--------------------------------	-------

**SKINTOP® INOX / SKINTOP® INOX-R**

07.11.2014

Part number	Article designation / size	Clamping range ØF (mm)	Thread length/ D (mm)	SW (mm)	Overall length/ C (mm)	Pieces / PU
SKINTOP® INOX						
53806739	12x1,5	4-7	6.5	16	29,3	5
53806740	16x1,5	6-10	7.0	20	32,4	5
53806741	20x1,5	7-13	8.0	24	35,8	5
53806742	25x1,5	9-17	8.0	29	37,8	5
53806743	32x1,5	11-21	9.0	36	43,3	5
SKINTOP® INOX-R						
53806749	12x1,5	3-5	6.5	16	29,3	5
53806750	16x1,5	5-7	7.0	20	32,4	5
53806751	20x1,5	5-10	8.0	24	35,8	5
53806752	25x1,5	7-13	8.0	29	37,8	5
53806753	32x1,5	7-15	9.0	36	43,3	5

U.I. Lapp GmbH	PRODUCT INFORMATION	
	SKINTOP® INOX / SKINTOP® INOX-R	07.11.2014



Product Management	Document: LAPP_PRO214997EN.pdf	4 / 4
--------------------	--------------------------------	-------