

Quick Mounting Flashing Alarms 15 / 5 / 2,5 joules

New!



FP 150 / FP 050 / FP 025

- flashing light available in three different power ratings: 2,5, 5 and 15 joules. Designed for various applications within the industrial or public sector
- time saving installation; without tedious disassembling of the unit prior to installation as a result of the modular distribution and screw less "snap-on" technique for assembling the base plate and the cover
- excellent price-performance-ratio leading to cost efficiency combined with a reliable alarm
- variable mounting options: horizontal, wall mounted, on stand (accessory) - a multipurpose flashing light

IP 54	+50 °C -30 °C	+70 °C -40 °C	90%
Protective system	Operational temperature	Storage temperature	Relative humidity

Optical data:

	FP 150	FP 050	FP 025
Flashing energy	15 joules	5 joules	2,5 joules
Light intensity (DIN 5037):			
clear	214 candela	44 cd	7,8 cd
white	156 cd	31 cd	6,1 cd
yellow	149 cd	33 cd	5,5 cd
amber	122 cd	26 cd	4,0 cd
red	28 cd	9 cd	1,6 cd
green	60 cd	28 cd	5,7 cd
blue	28 cd	8 cd	1,5 cd

Flashing sequence:	1 Hz = 60 flashes/min
Service life:	after 8.000.000 flashes still 70% light emission
Duty cycle:	100%

Electrical data: **AC** 50 Hz / 60 Hz

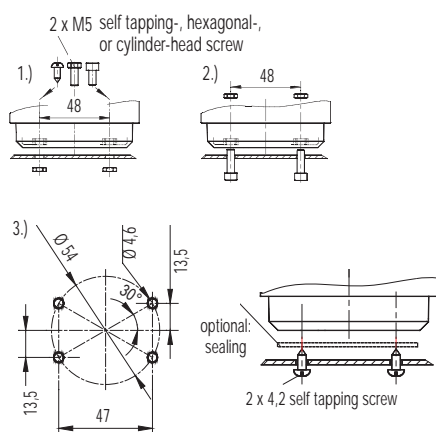
Nominal voltage	Electrical data	FP 150	FP 050	FP 025
230V	Voltage range: Rated current:	185 V ... 255 V 190 mA	185 V ... 255 V 55 mA	185 V ... 255 V 18 mA

DC

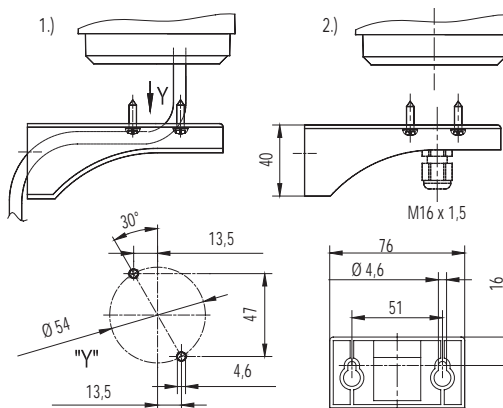
Nominal voltage	Electrical data	FP 150	FP 050	FP 025
24V	Voltage range: Rated current:	18V ... 30V 700 mA	18V ... 35V 230 mA	18V ... 35V 150 mA

Mounting methods:

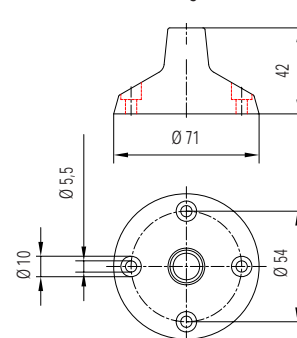
direct mounting



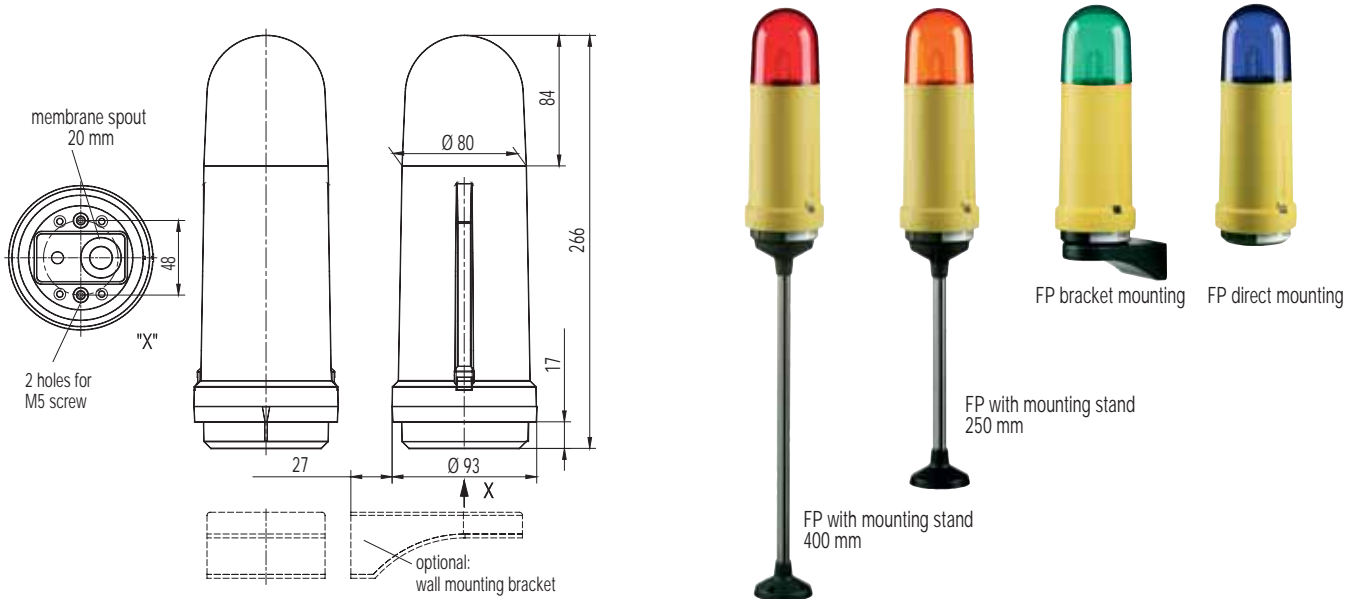
bracket mounting



mounting stand



Mechanical data and dimensions:



Mechanical data:	FP 150		FP 050		FP 025	
	AC	DC	AC	DC	AC	DC
Cable gland	membrane spout					
Weight	400 g	550 g	400 g	550 g	400 g	550 g
Material globe	Polycarbonate (PC)					
Material housing	Polyamide PA 6.6 GF 15					
Material base	Polyamide PA 6.6 GF 15					
Dimensions	approx. 266 mm					
Height	approx. 93 mm					
Diameter (max.)						
Standard:						
Operational temperature	-30 °C... +50 °C					
Storage temperature	-40 °C... +70 °C					
Relative humidity	90%					
Protective system	IP 54 (EN 60529 by vertical installation)					

Accessories :



with wire protection



available in 250 or 400mm length with sealing

Sample order:

Model: FP 050 Voltage: 230VAC Globe colour: YELLOW Accessory: wall-mounting bracket

Conformity to standard:

The optical properties of flashing lights comply with the European standard DIN EN 842, which is published under the title:

"Machine safety - visual alarm signals".

Requirements of the standard DIN EN 981, published under the title:

"Machine safety - system of acoustic / visual alarm signals and information signals" can be met.

The colour "red" as emergency signal and "yellow" as a warning signal comply with the requirements of IEC 73/DIN EN 60073/VDE 0199, published under the title:

"Coding for display devices and control components using colours and supplementary means".

References to visual alarm devices can be found in the following standards:

- EN 60825-1 Radiation safety of laser devices defined by IEC 825 and DIN-VDE 0837
- DIN EN 54 Fire alarm systems, design of
- DIN 54113-2 Regulations for radiation protection applicable to technical operation of X-ray equipment up to 500kV