

SINAMICS G120C

Parameter Manual · 01/2011

SINAMICS

SIEMENS

SIEMENS

SINAMICS

SINAMICS G120C

Parameter Manual

Parameters	1
Function diagrams	2
Faults and Alarms	3
Appendix	A
List of Abbreviations	B
Index	C

Valid for **Firmware version**
SINAMICS G120C **4.4**

A5E03052632B AA

01/2011

Safety Guidelines

This manual contains notices you have to observe in order to ensure your personal safety, as well as to prevent damage to property. The notices referring to your personal safety are highlighted in the manual by a safety alert symbol, notices referring only to property damage have no safety alert symbol. These notices shown below are graded according to the degree of danger.



Danger

indicates that death or severe personal injury **will** result if proper precautions are not taken.



Warning

indicates that death or severe personal injury **may** result if proper precautions are not taken.



Caution

with a safety alert symbol, indicates that minor personal injury **can** result if proper precautions are not taken.

Caution

without a safety alert symbol, indicates that property damage can result if proper precautions are not taken.

Notice

indicates that an unintended result or situation can occur if the corresponding information is not taken into account.

If more than one degree of danger is present, the warning notice representing the highest degree of danger will be used. A notice warning of injury to persons with a safety alert symbol may also include a warning relating to property damage.

Qualified Personnel

The device/system may only be set up and used in conjunction with this documentation. Commissioning and operation of a device/system may only be performed by **qualified personnel**. Within the context of the safety notes in this documentation qualified persons are defined as persons who are authorized to commission, ground and label devices, systems and circuits in accordance with established safety practices and standards.

Prescribed Usage of Siemens Products

Note the following:



Warning

This device may only be used for the applications described in the catalog or the technical description and only in connection with devices or components from other manufacturers which have been approved or recommended by Siemens.

Correct, reliable operation of the product requires proper transport, storage, positioning and assembly as well as careful operation and maintenance.

Trademarks

All names identified by ® are registered trademarks of the Siemens AG. The remaining trademarks in this publication may be trademarks whose use by third parties for their own purposes could violate the rights of the owner.

Copyright Siemens AG 2011 All Rights Reserved

The distribution and duplication of this document or the utilization and transmission of its contents are not permitted without express written permission. Offenders will be liable for damages. All rights, including rights created by patent grant or registration of a utility model or design, are reserved.

Siemens AG
Industry Sector
Postfach 4848
90327 NUREMBERG
GERMANY

Disclaimer of Liability

We have reviewed the contents of this publication to ensure consistency with the hardware and software described. Since variance cannot be precluded entirely, we cannot guarantee full consistency. However, the information in this publication is reviewed regularly and any necessary corrections are included in subsequent editions.

© Siemens AG 2011
Technical data subject to change.

Contents

1	Parameters	1-7
1.1	Introduction to Parameters	1-8
1.1.1	Explanation of list of parameters	1-8
1.1.2	Numerical ranges of parameters	1-15
1.2	List of Parameters	1-16
1.3	Command and Drive Data Sets – Overview	1-264
1.3.1	Command Data Sets (CDS)	1-264
1.3.2	Drive Data Sets (DDS)	1-265
1.3.3	Motor Data Sets (MDS)	1-268
1.3.4	Power unit Data Set (PDS)	1-269
1.4	Connector/Binector (BICO)-Parameters	1-270
1.4.1	Binector Input Parameters	1-270
1.4.2	Connector Input Parameters	1-271
1.4.3	Binector Output Parameters	1-271
1.4.4	Connector Output Parameters	1-272
1.4.5	Connector/Binector Output Parameters	1-274
1.5	Quick commissioning (p0010 = 1)	1-276
2	Function diagrams	2-279
2.1	Contents: function diagrams	2-280
2.2	Explanations for the function diagrams	2-284
2.3	Overview	2-289
2.4	Input/Output Terminals	2-297
2.5	Communication	2-303
2.5.1	Fieldbus Interface (USS, Modbus) (G120C USS/MB)	2-304
2.5.2	PROFIdrive / PROFIBUS (G120C DP)	2-310
2.5.3	CANopen (G120C CAN)	2-323
2.6	Internal control/status words	2-330
2.7	Braking Control	2-347
2.8	Safety Integrated	2-349
2.9	Setpoint channel	2-355
2.10	V/f control	2-363
2.11	Vector control	2-367
2.12	Technology functions	2-383
2.13	Technology controller	2-385
2.14	Signals and monitoring functions	2-390
2.15	Faults and warnings	2-399

2.16	Data sets	2-404
3	Faults and Alarms.	3-407
3.1	Faults and Alarms – Overview	3-408
3.1.1	General information.	3-408
3.1.2	Fault reactions.	3-410
3.1.3	Acknowledgement of faults	3-411
3.2	List of Faults and Alarms.	3-412
A	Appendix	A-471
A.1	ASCII Table (excerpt)	A-472
B	List of Abbreviations	B-473
C	Index	C-477

Parameters

1

Contents

1.1	Introduction to Parameters	1-8
1.2	List of Parameters	1-16
1.3	Command and Drive Data Sets – Overview	1-264
1.4	Connector/Binector (BICO)-Parameters	1-270
1.5	Quick commissioning (p0010 = 1)	1-276

1.1 Introduction to Parameters

1.1.1 Explanation of list of parameters

The layout of the parameter description is as follows (example only).

↖ Index ↖ BICO (if available)			
r0068[0...1]	CO: Absolute current actual value / I_act abs val		
	Access level: 3	Calculated: -	Data type: FloatingPoint32
	Can be changed: -	Scaling: p2002	Data set: -
	Unit group: 6_2	Unit selection: p0505	
	Min	Max	Factory setting
	- [Arms]	- [Arms]	- [Arms]

Fig. 1-1 Read-only parameter

↖ Index ↖ BICO (if available)			
p0700[0...n]	Command source selection / Cmd src sel		
G120C DP	Access level: 1	Calculated: -	Data type: Integer16
	Can be changed: T	Scaling: -	Data set: CDS, p0170
	Unit group: -	Unit selection: -	
	Min	Max	Factory setting
	0	200	0
↑ G120C variants			

Fig. 1-2 Write parameter

Parameter number

Indicates the relevant parameter number. The numbers used are 4 to 5-digit numbers. Numbers prefixed with an “r” indicate that the parameter is a “read-only” parameter, which displays a particular value but cannot be changed directly by specifying a different value via this parameter number.

All other parameters are prefixed with a “p”. The values of these parameters can be changed directly in the range indicated by the “Min” and “Max” settings in the header. If these values have a physical unit, it is shown in brackets.

[index] indicates that the parameter is an indexed parameter and specifies the range of indices available.

.0...15 indicates that the parameter has several bits, which can be evaluated or connected individually.

G120C variants

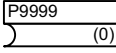
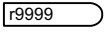
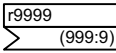
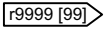
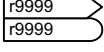
Indicates for which G120C variant the parameter is valid. If no G120C variant is listed the parameter is valid for all variants.

Parameter text (Long name/Short name)

Indicates the name of the relevant parameter.

Certain parameter names include the following abbreviated prefixes: BI, BO, CI, CO and CO/BO followed by a colon.

These abbreviations have the following meanings:

BI	=		Binector Input, i.e. parameter selects the source of a binary signal
BO	=		Binector Output, i.e. parameter connects as a binary signal
CI	=		Connector Input, i.e. parameter selects the source of an analog signal
CO	=		Connector Output, i.e. parameter connects as an analog signal
CO/BO	=		Connector/Binector Output, i.e. parameter connects as an analog signal and/or as a binary signal

CoBo.pdf

To make use of BICO you will need access to the full parameter list. At this level many new parameter settings are possible, including BICO functionality. BICO functionality is a different, more flexible way of setting and combining input and output functions.

The BICO system allows complex functions to be programmed. Boolean and mathematical relationships can be set up between inputs (digital, analog, serial etc.) and outputs (inverter current, frequency, analog output, relays, etc.).

At BI and CI parameters the parameter number is specified under Factory setting with which this parameter is connected. In this case the Min and Max values have dashes.

Access level

Indicates the level of user access. For the parameters there is only one freely accessible access level effective. The parameters with the declaration "Access level 1" to "Access level 3" belong to them. Parameters with "Access level 4" are service parameters and password protected.

Data type

The data types available are shown in the table below.

Table 1-1 Available data types

Notation	Meaning
Unsigned8 (U8)	8-bit unsigned
Unsigned16 (U16)	16-bit unsigned
Unsigned32 (U32)	32-bit unsigned
Integer16 (I16)	16-bit integer
Integer32 (I32)	32-bit integer
FloatingPoint32 (Float)	32-bit floating point number

The information of the data types for binector and connector inputs can be composed of two specifications (discreated by a slash):

- First specification: data type of the parameter
- Second specification: data type of the signal source preferably to be connected (binector or connector output)

Depending on the data type of the BICO input parameter (signal sink) and BICO output parameter (signal source) the following combinations are possible when creating BICO interconnections:

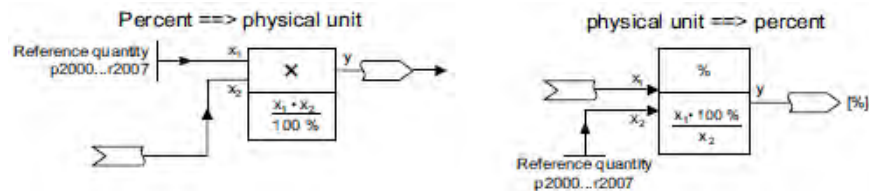
Table 1-2 Possible combinations of BICO interconnections

BICO output parameter	BICO input parameter			
	CI parameter			BI parameter
	Unsigned32 / Integer16	Unsigned32 / Integer32	Unsigned32 / FloatingPoint32	Unsigned32 / Binary
CO: Unsigned8	x	x	–	–
CO: Unsigned16	x	x	–	–
CO: Unsigned32	x	x	–	–
CO: Integer16	x	x	r2050	–
CO: Integer32	x	x	–	–
CO: FloatingPoint32	x	x	x	–
BO: Unsigned8	–	–	–	x
BO: Unsigned16	–	–	–	x
BO: Unsigned32	–	–	–	x
BO: Integer16	–	–	–	x
BO: Integer32	–	–	–	x
BO: FloatingPoint32	–	–	–	–
Legend:	x: BICO interconnection permitted –: BICO interconnection not permitted			

Scaling

Specification of the reference value with which a signal value is automatically converted for a BICO interconnection.

Reference quantities, corresponding to 100 %, are required for the statement of physical units as percentages. These reference quantities are entered in parameters p2000 ... p2006.



In addition to p2000 ... p2006 the following scalings are used:

- PERCENT 1.0 = 100 %
- 4000H 4000 hex = 100 %

Calculated

Specifies whether the parameter is influenced by automatic calculations.

p0340 defines the following calculations:

- p0340 = 1 contains the calculations of p0340 = 2, 3, 4, 5.
- p0340 = 2 calculates the motor parameters (p0350 ... p0360, p0625).
- p0340 = 3 contains the calculations of p0340 = 4, 5.
- p0340 = 4 only calculates the controller parameters.
- p0340 = 5 only calculates the controller limits.

Note:

For p3900 > 0, also p0340 = 1 is automatically called.

After p1900 = 1, 2, p0340 = 3 is automatically called.

Parameters referring to p0340 in the specification "Calculated" are dependent on the applied Power Module and motor. In this case, the values of "Factory setting" do not correspond to the actual values because these values are calculated during the commissioning. This also applies to the motor parameters.

Can be changed

Inverter state in which the parameter is changeable. Three states are possible:

- Commissioning C(x)
- Run U
- Ready to run T

In these states the parameter can be changed. One, two or all three states may be specified. If all three states are specified, it is possible to change the parameter setting in all three inverter states. (x) shows, that the parameter is only changeable when $p0010 = x$.

Data Set

Parameters which are dependent on a data set are identified as follows:

- **CDS (Command Data Set)**

They are always indexed with [0 ... n] (with $n = 0 \dots 1$ depending on setting in p0170).

[0] = Command Data Set 0

[1] = Command Data Set 1

- **DDS (Drive Data Set)**

They are always indexed with [0 ... n] (with $n = 0$).

[0] = Drive Data Set 0

- **MDS (Motor Data Set) and PDS (Power unit Data Set)**

They are always indexed with [0 ... n] (with $n = 0$). The Motor Data Sets and Power unit Data Sets are allocated to the Drive Data Sets, i.e. they are automatically addressed with the selection of a Drive Data Set (e.g. Drive Data Set 0 includes Motor Data Set 0 and Power unit Data Set 0).

Data sets can only be applied and cleared when $p0010 = 15$ is set.

"Unit group" and "Unit selection"

For parameters where the unit can be switched, the specifications for "Unit group" and "Unit selection" determine the group to which this parameter belongs and with which parameter the unit can be switched over.

The standard unit of a parameter is specified in square parentheses after the values for "Min", "Max", and "Factory setting".

Min

Indicates the minimum value to which the parameter can be set.

Max

Indicates the maximum value to which the parameter can be set.

Factory setting

Indicates the default value, i.e. the value which applies if the user does not specify a particular value for the parameter (see also "Calculated").

Example:

Unit group: 7_1, unit selection: p0505

The parameter belongs to unit group 7_1 and the unit can be switched over using p0505.

All the potential unit groups and possible unit selections are listed below.

Table 1-3 Unit group (p0100)

Unit group	Unit selection for p0100 =			Reference value at %
	0	1	2	
7_4	Nm	lbf ft	Nm	-
14_6	kW	HP	kW	-
25_1	kgm ²	lb ft ²	kgm ²	-
27_1	kg	lb	kg	-
28_1	Nm/A	lbf ft/A	Nm/A	-

Table 1-4 Unit group (p0505)

Unit group	Unit selection for p0505 =				Reference value at %
	1	2	3	4	
2_1	Hz	%	Hz	%	p2000
3_1	rpm	%	rpm	%	p2000
5_1	Vrms	%	Vrms	%	p2001
5_2	V	%	V	%	p2001
5_3	V	%	V	%	p2001
6_2	Arms	%	Arms	%	p2002
6_5	A	%	A	%	p2002
7_1	Nm	%	lbf ft	%	p2003
7_2	Nm	Nm	lbf ft	lbf ft	-
14_5	kW	%	HP	%	r2004
14_10	kW	kW	HP	HP	-
21_1	°C	°C	°F	°F	-
39_1	1/s ²	%	1/s ²	%	p2007

Table 1-5 Unit group (p0595)

Unit group	Unit selection for p0595 =		Reference value at %
	Value	Unit	
9_1	The values that can be set and the technological units are shown in p0595 (see Chapter 1.2).		

Description

Explanation of the parameter function.

Values

List of possible parameter values.

Recommendation

Information about recommended settings.

Index

The name and meaning of each individual index is specified for indexed parameters, except indexed parameters which belong to a data set (see "Data Set").

Bit array

For parameters with bit arrays, for each bit the following information is provided:

- Bit number and signal name
- Meaning at signal states 0 and 1
- Function diagram (FP) (optional). The signal is shown on this function diagram.

Dependency

Conditions which need to be fulfilled with regard to this parameter. Also includes special effects which can occur between this parameter and others.

1.1.2 Numerical ranges of parameters

Note:

The following numerical ranges of the parameters describe a general overview of SINAMICS parameters. The specific parameters are listed in Chapter 1.2.

Table 1-6 Numerical ranges of parameters

Range		Description
from	to	
0000	0099	Operation and visualization
0100	0199	Commissioning
0200	0299	Power Module
0300	0399	Motor
0500	0599	Technology and units
0600	0699	Thermal motor protection and motor model, maximum current
0700	0799	Command sources and terminals on Control Unit
0800	0839	CDS, DDS data sets (e.g. switch over, copy)
0840	0879	Sequence control (e.g. source for ON/OFF1)
0880	0899	Control and status words
0900	0999	PROFIBUS/PROFIdrive
1000	1199	Setpoint channel
1200	1299	Functions (e.g. motor holding brake)
1300	1399	V/f control
1400	1799	Closed-loop control
1800	1899	Gating unit
1900	1999	Power Module and motor identification
2000	2099	Communication (PROFIBUS)
2100	2199	Faults and alarms, monitoring functions
2200	2399	Technology controller
3100	3299	Messages
3800	3860	Compound braking
3900	3999	Management parameters
7800	7899	EEPROM read/write parameters
8500	8599	Data and macro management
8600	8799	CANopen
8800	8899	PROFIdrive
8900	8999	PROFINET, USB
9400	9499	Parameter consistency and storage
9600	9899	Safety Integrated
9900	9949	Topology
9950	9999	Diagnostics (internal)

1.2 List of Parameters

Product: SINAMICS G120C, Version: 4402100, Language: eng
Objects: G120C CAN, G120C DP, G120C USS/MB

r0002	Drive operating display / Drv op_display		
	Access level: 2	Calculated: -	Data type: Integer16
	Can be changed: -	Scaling: -	Data set: -
	Units group: -	Unit selection: -	
	Min	Max	Factory setting
	0	200	-
Description:	Operating display for the drive.		
Value:	0: Operation - everything enabled 10: Operation - set "enable setpoint" = "1" 12: Operation - RFG frozen, set "RFG start" = "1" 13: Operation - set "enable RFG" = "1" 14: Operation - MotID, excit. running 16: Operation - withdraw braking with OFF1 using "ON/OFF1" = "1" 17: Operation - braking with OFF3 can only be interrupted with OFF2 18: Operation - brake on fault, remove fault, acknowledge 19: Operation - DC braking active (p1230, p1231) 21: Ready for operation - set "Operation enable" = "1" (p0852) 22: Ready for operation - de-magnetizing running (p0347) 31: Ready for switching on - set "ON/OFF1" = "0/1" (p0840) 35: Switching on inhibited - carry out first commissioning (p0010) 41: Switching on inhibited - set "ON/OFF1" = "0" (p0840) 42: Switching on inhibited - set "OC/OFF2" = "1" (p0844, p0845) 43: Switching on inhibited - set "OC/OFF3" = "1" (p0848, p0849) 45: Switching on inhibited - rectify fault, acknowledge fault, STO 46: Switching on inhibited - exit comm mode (p0010) 70: Initialization 200: Wait for booting/partial booting		
Dependency:	Refer to: r0046		
Notice:	For several missing enable signals, the corresponding value with the highest number is displayed.		
Note:	OC: Operating condition RFG: Ramp-function generator COMM: Commissioning MotID: Motor data identification		
p0003	Access level / Acc_level		
	Access level: 1	Calculated: -	Data type: Integer16
	Can be changed: C, U, T	Scaling: -	Data set: -
	Units group: -	Unit selection: -	
	Min	Max	Factory setting
	3	4	3
Description:	Sets the access level to read and write parameters.		
Value:	3: Expert 4: Service		
Note:	Access level 3 (experts): Expert know-how is required for these parameters (e.g. BICO parameterization). Access level 4 (service): For these parameters, it is necessary that authorized service personnel enter the appropriate password (p3950).		

p0010 Drive commissioning parameter filter / Drv comm. par_filt			
	Access level: 1	Calculated: -	Data type: Integer16
	Can be changed: C(1), T	Scaling: -	Data set: -
	Units group: -	Unit selection: -	
	Min 0	Max 95	Factory setting 1
Description:	Sets the parameter filter to commission a drive. Setting this parameter filters out the parameters that can be written into in the various commissioning steps.		
Value:	0: Ready 1: Quick commissioning 2: Power unit commissioning 3: Motor commissioning 5: Technological application/units 15: Data sets 29: Only Siemens internal 30: Parameter reset 39: Only Siemens internal 49: Only Siemens internal 95: Safety Integrated commissioning		
Dependency:	Refer to: r3996		
Notice:	When the parameter is reset to a value of 0, short-term communication interruptions may occur.		
Note:	The drive can only be powered up outside the drive commissioning (inverter enable). To realize this, this parameter must be set to 0. By setting p3900 to a value other than 0, the quick commissioning is completed, and this parameter is automatically reset to 0. Procedure for "Reset parameter": Set p0010 to 30 and p0970 to 1. Once the Control Unit has been booted up for the first time, the motor parameters suitable for the power unit have been defined, and the control parameters have been calculated accordingly, p0010 is automatically reset to 0. p0010 = 3 is used for the subsequent commissioning of additional drive data sets (creating data sets: see p0010 = 15). p0010 = 29, 39, 49: Only for internal Siemens use!		
p0015 Macro drive unit / Macro drv unit			
G120C CAN	Access level: 1	Calculated: -	Data type: Unsigned32
G120C USS/MB	Can be changed: C, C(1)	Scaling: -	Data set: -
	Units group: -	Unit selection: -	
	Min 0	Max 999999	Factory setting 12
Description:	Runs the corresponding macro files. The selected macro file must be available on the memory card/device memory. Example: p0015 = 6 --> the macro file PM000006.ACX is run.		
Dependency:	Refer to: p0700, p1000, r8570		
Caution:	When executing a specific macro, the corresponding programmed settings are made and become active.		
Notice:	After the value has been modified, no further parameter modifications can be made and the status is shown in r3996. Modifications can be made again when r3996 = 0.		
Note:	The macros in the specified directory are displayed in r8570. r8570 is not in the expert list of the commissioning software. Macros available as standard are described in the technical documentation of the particular product. The parameter is not influenced by setting the factory setting.		

p0015	Macro drive unit / Macro drv unit		
G120C DP	Access level: 1	Calculated: -	Data type: Unsigned32
	Can be changed: C, C(1)	Scaling: -	Data set: -
	Units group: -	Unit selection: -	
	Min 0	Max 999999	Factory setting 7
Description:	Runs the corresponding macro files. The selected macro file must be available on the memory card/device memory. Example: p0015 = 6 --> the macro file PM000006.ACX is run.		
Dependency:	Refer to: p0700, p1000, r8570		
Caution:	When executing a specific macro, the corresponding programmed settings are made and become active.		
Notice:	After the value has been modified, no further parameter modifications can be made and the status is shown in r3996. Modifications can be made again when r3996 = 0.		
Note:	The macros in the specified directory are displayed in r8570. r8570 is not in the expert list of the commissioning software. Macros available as standard are described in the technical documentation of the particular product. The parameter is not influenced by setting the factory setting.		
r0018	Control Unit Firmware-Version / CU FW version		
	Access level: 3	Calculated: -	Data type: Unsigned32
	Can be changed: -	Scaling: -	Data set: -
	Units group: -	Unit selection: -	
	Min 0	Max 4294967295	Factory setting -
Description:	Displays the firmware version of the Control Unit.		
Dependency:	Refer to: r0197, r0198		
Note:	Example: The value 1010100 should be interpreted as V01.01.01.00.		
r0020	Speed setpoint smoothed / n_set smth		
	Access level: 2	Calculated: -	Data type: FloatingPoint32
	Can be changed: -	Scaling: p2000	Data set: -
	Units group: 3_1	Unit selection: p0505	
	Min - [rpm]	Max - [rpm]	Factory setting - [rpm]
Description:	Displays the currently smoothed speed setpoint at the input of the speed controller or U/f characteristic (after the interpolator).		
Dependency:	Refer to: r0060		
Note:	Smoothing time constant = 100 ms The signal is not suitable as a process quantity and may only be used as a display quantity. The speed setpoint is available smoothed (r0020) and unsmoothed (r0060).		

r0021	CO: Actual speed smoothed / n_act smooth		
	Access level: 2	Calculated: -	Data type: FloatingPoint32
	Can be changed: -	Scaling: p2000	Data set: -
	Units group: 3_1	Unit selection: p0505	
	Min - [rpm]	Max - [rpm]	Factory setting - [rpm]
Description:	Displays the smoothed actual value of the motor speed.		
Dependency:	Refer to: r0022, r0063		
Note:	Smoothing time constant = 100 ms The signal is not suitable as a process quantity and may only be used as a display quantity. The speed actual value is available smoothed (r0021, r0022) and unsmoothed (r0063).		
r0022	Speed actual value rpm smoothed / n_act rpm smooth		
	Access level: 3	Calculated: -	Data type: FloatingPoint32
	Can be changed: -	Scaling: p2000	Data set: -
	Units group: -	Unit selection: -	
	Min - [rpm]	Max - [rpm]	Factory setting - [rpm]
Description:	Displays the smoothed actual value of the motor speed. r0022 is identical to r0021, however, it always has units of rpm and contrary to r0021 cannot be changed over.		
Dependency:	Refer to: r0021, r0063		
Note:	Smoothing time constant = 100 ms The signal is not suitable as a process quantity and may only be used as a display quantity. The speed actual value is available smoothed (r0021, r0022) and unsmoothed (r0063).		
r0024	Output frequency smoothed / f_outp smooth		
	Access level: 3	Calculated: -	Data type: FloatingPoint32
	Can be changed: -	Scaling: p2000	Data set: -
	Units group: -	Unit selection: -	
	Min - [Hz]	Max - [Hz]	Factory setting - [Hz]
Description:	Displays the smoothed converter frequency.		
Dependency:	Refer to: r0066		
Note:	Smoothing time constant = 100 ms The signal is not suitable as a process quantity and may only be used as a display quantity. The output frequency is available smoothed (r0024) and unsmoothed (r0066).		
r0025	CO: Output voltage smoothed / U_outp smooth		
	Access level: 2	Calculated: -	Data type: FloatingPoint32
	Can be changed: -	Scaling: p2001	Data set: -
	Units group: -	Unit selection: -	
	Min - [Vrms]	Max - [Vrms]	Factory setting - [Vrms]
Description:	Displays the smoothed output voltage of the power unit.		
Dependency:	Refer to: r0072		
Note:	Smoothing time constant = 100 ms The signal is not suitable as a process quantity and may only be used as a display quantity. The output voltage is available smoothed (r0025) and unsmoothed (r0072).		

r0026	CO: DC link voltage smoothed / Vdc smooth		
	Access level: 2	Calculated: -	Data type: FloatingPoint32
	Can be changed: -	Scaling: p2001	Data set: -
	Units group: -	Unit selection: -	
	Min - [V]	Max - [V]	Factory setting - [V]
Description:	Displays the smoothed actual value of the DC link voltage.		
Dependency:	Refer to: r0070		
Notice:	When measuring a DC link voltage < 200 V, for the Power Module a valid measured value is not supplied. In this case, when an external 24 V power supply is connected, a value of approx. 24 V is displayed in the display parameter.		
Note:	Smoothing time constant = 100 ms The signal is not suitable as a process quantity and may only be used as a display quantity. The DC link voltage is available smoothed (r0026) and unsmoothed (r0070). r0026 sets itself to the lower value of the pulsating DC link voltage.		
r0027	CO: Absolute actual current smoothed / I_act abs val smth		
	Access level: 2	Calculated: -	Data type: FloatingPoint32
	Can be changed: -	Scaling: p2002	Data set: -
	Units group: -	Unit selection: -	
	Min - [Arms]	Max - [Arms]	Factory setting - [Arms]
Description:	Displays the smoothed absolute actual current value.		
Dependency:	Refer to: r0068		
Notice:	This smoothed signal is not suitable for diagnostics or evaluation of dynamic operations. In this case, the unsmoothed value should be used.		
Note:	Smoothing time constant = 300 ms The signal is not suitable as a process quantity and may only be used as a display quantity. The absolute current actual value is available smoothed (r0027) and unsmoothed (r0068).		
r0028	Modulation depth smoothed / Mod_depth smth		
	Access level: 4	Calculated: -	Data type: FloatingPoint32
	Can be changed: -	Scaling: p2002	Data set: -
	Units group: -	Unit selection: -	
	Min - [%]	Max - [%]	Factory setting - [%]
Description:	Displays the smoothed actual value of the modulation depth.		
Dependency:	Refer to: r0074		
Note:	Smoothing time constant = 100 ms The signal is not suitable as a process quantity and may only be used as a display quantity. The modulation depth is available smoothed (r0028) and unsmoothed (r0074).		

r0029	Current actual value field-generating smoothed / Id_act smooth		
	Access level: 4	Calculated: -	Data type: FloatingPoint32
	Can be changed: -	Scaling: p2002	Data set: -
	Units group: -	Unit selection: -	
	Min - [Arms]	Max - [Arms]	Factory setting - [Arms]
Description:	Displays the smoothed field-generating actual current.		
Dependency:	Refer to: r0076		
Note:	Smoothing time constant = 300 ms The signal is not suitable as a process quantity and may only be used as a display quantity. The field-generating current actual value is available smoothed (r0029) and unsmoothed (r0076).		

r0030	Current actual value torque-generating smoothed / Iq_act smooth		
	Access level: 4	Calculated: -	Data type: FloatingPoint32
	Can be changed: -	Scaling: p2002	Data set: -
	Units group: -	Unit selection: -	
	Min - [Arms]	Max - [Arms]	Factory setting - [Arms]
Description:	Displays the smoothed torque-generating actual current.		
Dependency:	Refer to: r0078		
Note:	Smoothing time constant = 300 ms The signal is not suitable as a process quantity and may only be used as a display quantity. The torque-generating current actual value is available smoothed (r0030) and unsmoothed (r0078).		

r0031	Actual torque smoothed / M_act smooth		
	Access level: 2	Calculated: -	Data type: FloatingPoint32
	Can be changed: -	Scaling: p2003	Data set: -
	Units group: 7_1	Unit selection: p0505	
	Min - [Nm]	Max - [Nm]	Factory setting - [Nm]
Description:	Displays the smoothed torque actual value.		
Dependency:	Refer to: r0080		
Note:	Smoothing time constant = 100 ms The signal is not suitable as a process quantity and may only be used as a display quantity. The active current actual value is available smoothed (r0031) and unsmoothed (r0080).		

r0032	CO: Active power actual value smoothed / P_actv_act smth		
	Access level: 2	Calculated: -	Data type: FloatingPoint32
	Can be changed: -	Scaling: r2004	Data set: -
	Units group: 14_10	Unit selection: p0505	
	Min - [kW]	Max - [kW]	Factory setting - [kW]
Description:	Displays the smoothed actual value of the active power.		
Dependency:	Refer to: r0082		
Notice:	This smoothed signal is not suitable for diagnostics or evaluation of dynamic operations. In this case, the unsmoothed value should be used.		
Note:	Power delivered at the motor shaft. The active power is available smoothed (r0032 with 100 ms) and unsmoothed (r0082).		

r0033	Torque utilization smoothed / M_util smooth		
	Access level: 4	Calculated: -	Data type: FloatingPoint32
	Can be changed: -	Scaling: PERCENT	Data set: -
	Units group: -	Unit selection: -	
	Min - [%]	Max - [%]	Factory setting - [%]
Description:	Displays the smoothed torque utilization as a percentage.		
Dependency:	This parameter is only available for vector control. For U/f control r0033 = 0 %.		
Note:	Smoothing time constant = 100 ms The signal is not suitable as a process quantity and may only be used as a display quantity. The torque utilization is available smoothed (r0033) and unsmoothed (r0081). For M_set total (r0079) > 0, the following applies: - Required torque = M_set total - Actual torque limit = M_max upper effective (r1538) For M_set total (r0079) <= 0, the following applies: - Required torque = - M_set total - Actual torque limit = - M_max lower effective (r1539) For the actual torque limit = 0, the following applies: r0033 = 100 % For the actual torque limit < 0, the following applies: r0033 = 0 %		
r0034	CO: Motor utilization / Motor utilization		
	Access level: 2	Calculated: -	Data type: FloatingPoint32
	Can be changed: -	Scaling: PERCENT	Data set: -
	Units group: -	Unit selection: -	
	Min - [%]	Max - [%]	Factory setting - [%]
Description:	Displays the motor utilization from the thermal I2t motor model.		
Dependency:	The motor utilization is only determined for permanent-magnet synchronous motors and if the I2t motor model is activated. The motor utilization is formed from the ratio between the I2t motor model temperature (minus 40 Kelvin) and the reference value p0605 (motor overtemperature, fault threshold) - 40 Kelvin. If p0605 is reduced, r0034 increases and the motor temperature remains the same. Refer to: p0611, p0615		
Note:	Smoothing time constant = 100 ms The signal is not suitable as a process quantity and may only be used as a display quantity. A value of r0034 = -200.0 % indicates an invalid display, for example, because the thermal I2t motor model was not activated or was incorrectly parameterized.		
r0035	CO: Motor temperature / Mot temp		
	Access level: 2	Calculated: -	Data type: FloatingPoint32
	Can be changed: -	Scaling: p2006	Data set: -
	Units group: 21_1	Unit selection: p0505	
	Min - [°C]	Max - [°C]	Factory setting - [°C]
Description:	Displays the actual temperature in the motor.		
Note:	For r0035 not equal to -200.0 °C, the following applies: - this temperature display is valid. - a KTY sensor is connected. - for induction motors, the thermal motor model is activated (p0601 = 0). For r0035 equal to -200.0 °C, the following applies: - this temperature display is not valid (temperature sensor error). - A PTC sensor or bimetallic NC contact is connected. - for synchronous motors, the thermal motor model is activated (p0601 = 0).		

r0036	CO: Power unit overload I2t / PU overload I2t		
	Access level: 3	Calculated: -	Data type: FloatingPoint32
	Can be changed: -	Scaling: PERCENT	Data set: -
	Units group: -	Unit selection: -	
	Min - [%]	Max - [%]	Factory setting - [%]
Description:	<p>Displays the power unit overload determined using the I2t calculation.</p> <p>A current reference value is defined for the I2t monitoring of the power unit. It represents the current that can be conducted by the power unit without any influence of the switching losses (e.g. the continuously permissible current of the capacitors, inductances, busbars, etc.).</p> <p>If the I2t reference current of the power unit is not exceeded, then an overload (0 %) is not displayed.</p> <p>In the other case, the degree of thermal overload is calculated, whereby 100% results in a trip.</p>		
Dependency:	<p>Refer to: p0290</p> <p>Refer to: F30005</p>		
r0037[0...19]	CO: Power unit temperatures / PU temperatures		
	Access level: 4	Calculated: -	Data type: FloatingPoint32
	Can be changed: -	Scaling: p2006	Data set: -
	Units group: 21_1	Unit selection: p0505	
	Min - [°C]	Max - [°C]	Factory setting - [°C]
Description:	<p>Displays the temperatures in the power unit.</p>		
Index:	<p>[0] = Inverter [1] = Depletion layer [2] = Reserved [3] = Reserved [4] = Interior of power unit [5] = Inverter 1 [6] = Reserved [7] = Reserved [8] = Reserved [9] = Reserved [10] = Reserved [11] = Reserved [12] = Reserved [13] = Depletion layer 1 [14] = Reserved [15] = Reserved [16] = Reserved [17] = Reserved [18] = Reserved [19] = Reserved</p>		
Note:	<p>The value of -200 indicates that there is no measuring signal.</p>		
r0038	Power factor smoothed / Cos phi smooth		
	Access level: 4	Calculated: -	Data type: FloatingPoint32
	Can be changed: -	Scaling: -	Data set: -
	Units group: -	Unit selection: -	
	Min -	Max -	Factory setting -
Description:	<p>Displays the smoothed actual power factor.</p>		
Note:	<p>Smoothing time constant = 300 ms</p> <p>The signal is not suitable as a process quantity and may only be used as a display quantity.</p> <p>Significance for the motor: Motor power factor</p> <p>Significance for the infeed: Power factor at the connection point (p3470, p3471)</p>		

r0039	Energy consumption / Energy consumption		
	Access level: 2	Calculated: -	Data type: FloatingPoint32
	Can be changed: -	Scaling: -	Data set: -
	Units group: -	Unit selection: -	
	Min - [kWh]	Max - [kWh]	Factory setting - [kWh]
Description:	Displays the electrical energy used since the last reset.		
Dependency:	Refer to: p0040		
p0040	Reset energy consumption display / Energy usage reset		
	Access level: 3	Calculated: -	Data type: Unsigned8
	Can be changed: U, T	Scaling: -	Data set: -
	Units group: -	Unit selection: -	
	Min 0	Max 1	Factory setting 0
Description:	Setting to reset the energy consumption display (r0039). Procedure: Set p0040 = 0 --> 1 The display is reset and the parameter is automatically set to zero.		
Dependency:	Refer to: r0039		
r0041	Energy usage saved / Energy usage saved		
	Access level: 2	Calculated: -	Data type: FloatingPoint32
	Can be changed: -	Scaling: -	Data set: -
	Units group: -	Unit selection: -	
	Min - [kWh]	Max - [kWh]	Factory setting - [kWh]
Description:	Displays the saved energy referred to 100 operating hours.		
Dependency:	Refer to: p0040		
p0045	Smoothing time constant, display values / T_smth display		
	Access level: 3	Calculated: -	Data type: FloatingPoint32
	Can be changed: U, T	Scaling: -	Data set: -
	Units group: -	Unit selection: -	
	Min 0.00 [ms]	Max 1000.00 [ms]	Factory setting 4.00 [ms]
Description:	Sets the smoothing time constant for the following display values: r0063[1], r0068[1], r0080[1], r0082[1].		

r0046.0...31		CO/BO: Missing enable sig / Missing enable sig			
	Access level: 1	Calculated: -	Data type: Unsigned32		
	Can be changed: -	Scaling: -	Data set: -		
	Units group: -	Unit selection: -			
	Min	Max	Factory setting		
	-	-	-		
Description:	Displays missing enable signals that are preventing the closed-loop drive control from being commissioned.				
Bit field:	Bit	Signal name	1 signal	0 signal	FP
	00	OFF1 enable missing	Yes	No	-
	01	OFF2 enable missing	Yes	No	-
	02	OFF3 enable missing	Yes	No	-
	03	Operation enable missing	Yes	No	-
	04	DC braking enable missing	Yes	No	-
	10	Ramp-function generator enable missing	Yes	No	-
	11	Ramp-function generator start missing	Yes	No	-
	12	Setpoint enable missing	Yes	No	-
	16	OFF1 enable internal missing	Yes	No	-
	17	OFF2 enable internal missing	Yes	No	-
	18	OFF3 enable internal missing	Yes	No	-
	19	Pulse enable internal missing	Yes	No	-
	20	DC braking internal enable missing	Yes	No	-
	21	PU enab. missing	Yes	No	-
	26	Drive inactive or not operational	Yes	No	-
	27	De-magnetizing not completed	Yes	No	-
	28	Brake open missing	Yes	No	-
	30	Speed controller inhibited	Yes	No	-
	31	Jog setpoint active	Yes	No	-
Dependency:	Refer to: r0002				

- Note:** The value r0046 = 0 indicates that all enable signals for this drive are present.
- Bit 00 = 1 (enable signal missing), if:
- the signal source in p0840 is a 0 signal.
 - there is a "switching on inhibited".
- Bit 01 = 1 (enable signal missing), if:
- the signal source in p0844 or p0845 is a 0 signal.
- Bit 02 = 1 (enable signal missing), if:
- the signal source in p0848 or p0849 is a 0 signal.
- Bit 03 = 1 (enable signal missing), if:
- the signal source in p0852 is a 0 signal.
- Bit 04 = 1 (DC brake active) when:
- the signal source in p1230 has a 1 signal
- Bit 10 = 1 (enable signal missing), if:
- the signal source in p1140 is a 0 signal.
- Bit 11 = 1 (enable signal missing) if the speed setpoint is frozen, because:
- the signal source in p1141 is a 0 signal.
 - the speed setpoint is entered from jogging and the two signal sources for jogging, bit 0 (p1055) and bit 1 (p1056) have a 1 signal.
- Bit 12 = 1 (enable signal missing), if:
- the signal source in p1142 is a 0 signal.
- Bit 16 = 1 (enable signal missing), if:
- there is an OFF1 fault response. The system is only enabled if the fault is removed and was acknowledged and the "switching on inhibited" withdrawn with OFF1 = 0.
- Bit 17 = 1 (enable signal missing), if:
- commissioning mode is selected (p0010 > 0).
 - there is an OFF2 fault response.
 - the drive is not operational.
- Bit 18 = 1 (enable signal missing), if:
- OFF3 has still not been completed or an OFF3 fault response is present.
- Bit 19 = 1 (internal pulse enable missing), if:
- sequence control does not have a finished message.
- Bit 20 = 1 (internal DC brake active), if:
- the drive is not in the state "Operation" or in "OFF1/3".
 - the internal pulse enable is missing (r0046.19 = 0).
- Bit 21 = 1 (enable signal missing), if:
- the power unit does not issue an enable signal (e.g. because DC link voltage is too low).
 - the holding brake opening time (p1216) has still not expired.
 - hibernation is active.
- Bit 26 = 1 (enable signal missing), if:
- the drive is not operational.
- Bit 27 = 1 (enable signal missing), if:
- de-magnetization not completed.
- Bit 28 = 1 (enable signal missing), if:
- the holding brake is closed or has still not been opened.
- Bit 30 = 1 (speed controller inhibited), if one of the following reasons is present:
- the pole position identification is active.
 - motor data identification is active (only certain steps).
- Bit 31 = 1 (enable signal missing), if:
- the speed setpoint from jog 1 or 2 is entered.

r0047		Motor data ident. routine and speed controller optimization / MotID and n_opt			
	Access level: 1	Calculated: -	Data type: Integer16		
	Can be changed: -	Scaling: -	Data set: -		
	Units group: -	Unit selection: -			
	Min	Max	Factory setting		
	0	300	-		
Description:	Displays the actual status for the motor data identification (stationary measurement) and the speed/velocity controller optimization (rotating measurement).				
Value:	0: No measurement 115: Measurement q leakage inductance (part 2) 120: Speed controller optimization (vibration test) 140: Calculate speed controller setting 150: Measurement, moment of inertia 170: Measurement, magnetizing current and saturation characteristic 195: Measurement q leakage inductance (part 1) 200: Rotating measurement selected 220: identification, leakage inductance 230: Identification, rotor time constant 240: Identification, stator inductance 250: Identification, stator inductance LQLD 270: Identification, stator resistance 290: Identification, valve lockout time 300: Stationary measurement selected				
r0050.0...1		CO/BO: Command Data Set CDS effective / CDS effective			
	Access level: 3	Calculated: -	Data type: Unsigned8		
	Can be changed: -	Scaling: -	Data set: -		
	Units group: -	Unit selection: -			
	Min	Max	Factory setting		
	-	-	-		
Description:	Displays the effective Command Data Set (CDS).				
Bit field:	Bit	Signal name	1 signal	0 signal	FP
	00	CDS eff., bit 0	ON	OFF	-
	01	CDS eff., bit 1	ON	OFF	-
Dependency:	Refer to: p0810, r0836				
Note:	The Command Data Set selected using a binector input (e.g. p0810) is displayed using r0836.				

r0052.0...15		CO/BO: Status word 1 / ZSW 1			
	Access level: 2	Calculated: -	Data type: Unsigned16		
	Can be changed: -	Scaling: -	Data set: -		
	Units group: -	Unit selection: -			
	Min	Max	Factory setting		
	-	-	-		
Description:	Displays status word 1.				
Bit field:	Bit	Signal name	1 signal	0 signal	FP
	00	Rdy for switch on	Yes	No	-
	01	Ready	Yes	No	-
	02	Operation enabled	Yes	No	-
	03	Fault present	Yes	No	-
	04	Coast down active (OFF2)	No	Yes	-
	05	Quick Stop active (OFF3)	No	Yes	-
	06	Switching on inhibited active	Yes	No	-
	07	Alarm present	Yes	No	-
	08	Deviation, setpoint/actual speed	No	Yes	-
	09	Control request	Yes	No	-
	10	Maximum speed reached	Yes	No	-
	11	I, M, P limit reached	No	Yes	-
	12	Motor holding brake open	Yes	No	-
	13	Alarm motor overtemperature	No	Yes	-
	14	Motor rotates forwards	Yes	No	-
	15	Alarm drive converter overload	No	Yes	-
Note:	The following status bits are displayed in r0052.				
	Bit 00: r0899 Bit 0				
	Bit 01: r0899 Bit 1				
	Bit 02: r0899 Bit 2				
	Bit 03: r2139 Bit 3				
	Bit 04: r0899 Bit 4				
	Bit 05: r0899 Bit 5				
	Bit 06: r0899 Bit 6				
	Bit 07: r2139 Bit 7				
	Bit 08: r2197 Bit 7				
	Bit 09: r0899 Bit 7				
	Bit 10: r2197 Bit 6				
	Bit 11: r0056 Bit 13 (negated)				
	Bit 12: r0899 Bit 12				
	Bit 13: r2135 Bit 12 (negated)				
	Bit 14: r2197 Bit 3				
	Bit 15: r2135 Bit 15 (negated)				

r0053.0...11		CO/BO: Status word 2 / ZSW 2			
	Access level: 2	Calculated: -	Data type: Unsigned16		
	Can be changed: -	Scaling: -	Data set: -		
	Units group: -	Unit selection: -			
	Min	Max	Factory setting		
	-	-	-		
Description:	Displays status word 2.				
Bit field:	Bit	Signal name	1 signal	0 signal	FP
	00	DC braking active	Yes	No	-
	01	Reserved	Yes	No	-
	02	n_act > p1080 (n_min)	Yes	No	-
	03	Reserved	Yes	No	-
	04	Reserved	Yes	No	-
	05	Reserved	Yes	No	-
	06	n_act >= r1119 (n_set)	Yes	No	-
	07	Reserved	Yes	No	-
	08	Reserved	Yes	No	-
	09	Ramp-up/ramp-down completed	Yes	No	-
	10	Technology controller output at the lower limit	Yes	No	-
	11	Technology controller output at the upper limit	Yes	No	-
Caution:	p2081 is used to define the signal sources of the PROFIdrive status word interconnection.				
Note:	The following status bits are displayed in r0053:				
	Bit 00: r1239 Bit 8				
	Bit 02: r2197 Bit 0 (negated)				
	Bit 06: r2197 Bit 4				
	Bit 10: r2349 Bit 10				
	Bit 11: r2349 Bit 11				

r0054.0...15		CO/BO: Control word 1 / STW 1			
	Access level: 2	Calculated: -	Data type: Unsigned16		
	Can be changed: -	Scaling: -	Data set: -		
	Units group: -	Unit selection: -			
	Min	Max	Factory setting		
	-	-	-		
Description:	Displays control word 1.				
Bit field:	Bit	Signal name	1 signal	0 signal	FP
	00	ON/OFF1	Yes	No	-
	01	OC / OFF2	Yes	No	-
	02	OC / OFF3	Yes	No	-
	03	Operation enable	Yes	No	-
	04	Ramp-function generator enable	Yes	No	-
	05	Continue ramp-function generator	Yes	No	-
	06	Speed setpoint enable	Yes	No	-
	07	Acknowledge fault	Yes	No	-
	08	Jog bit 0	Yes	No	3030
	09	Jog bit 1	Yes	No	3030
	10	Master ctrl by PLC	Yes	No	-
	11	Direction reversal (setpoint)	Yes	No	-
	13	Motorized potentiometer raise	Yes	No	-
	14	Motorized potentiometer lower	Yes	No	-
	15	CDS bit 0	Yes	No	-
Note:	The following control bits are displayed in r0054:				
	Bit 00: r0898 Bit 0				
	Bit 01: r0898 Bit 1				
	Bit 02: r0898 Bit 2				
	Bit 03: r0898 Bit 3				
	Bit 04: r0898 Bit 4				
	Bit 05: r0898 Bit 5				
	Bit 06: r0898 Bit 6				
	Bit 07: r2138 Bit 7				
	Bit 08: r0898 Bit 8				
	Bit 09: r0898 Bit 9				
	Bit 10: r0898 Bit 10				
	Bit 11: r1198 Bit 11				
	Bit 13: r1198 Bit 13				
	Bit 14: r1198 Bit 14				
	Bit 15: r0836 Bit 0				
	Re bit 10:				
	If p0700 = 2 is set, bit 10 always shows "1".				

r0055.0...15	CO/BO: Supplementary control word / Suppl STW		
Access level: 3	Calculated: -	Data type: Unsigned16	
Can be changed: -	Scaling: -	Data set: -	
Units group: -	Unit selection: -		
Min	Max	Factory setting	
-	-	-	

Description: Displays supplementary control word.

Bit field:	Bit	Signal name	1 signal	0 signal	FP
	00	Fixed setp bit 0	Yes	No	-
	01	Fixed setp bit 1	Yes	No	-
	02	Fixed setp bit 2	Yes	No	-
	03	Fixed setp bit 3	Yes	No	-
	04	Reserved	Yes	No	-
	05	Reserved	Yes	No	-
	08	Technology controller enable	Yes	No	-
	09	DC braking enable	Yes	No	-
	11	Reserved	Yes	No	-
	12	Reserved	Yes	No	-
	13	External fault 1 (F07860)	No	Yes	-
	15	CDS bit 1	Yes	No	-

Note: The following control bits are displayed in r0055:

Bit 00: r1198 Bit 0
 Bit 01: r1198 Bit 1
 Bit 02: r1198 Bit 2
 Bit 03: r1198 Bit 3
 Bit 08: r2349 Bit 0 (negated)
 Bit 09: r1239 Bit 11
 Bit 13: r2138 Bit 13
 Bit 15: r0836 Bit 1

r0056.0...15	CO/BO: Status word, closed-loop control / ZSW cl-loop ctrl		
Access level: 3	Calculated: -	Data type: Unsigned16	
Can be changed: -	Scaling: -	Data set: -	
Units group: -	Unit selection: -		
Min	Max	Factory setting	
-	-	-	

Description: Displays the status word of the closed-loop control.

Bit field:	Bit	Signal name	1 signal	0 signal	FP
	00	Initialization completed	Yes	No	-
	01	De-magnetizing completed	Yes	No	-
	02	Pulse enable present	Yes	No	-
	03	Soft starting present	Yes	No	-
	04	Magnetizing completed	Yes	No	-
	05	Voltage boost when starting	Active	Inactive	6300
	06	Acceleration voltage	Active	Inactive	6300
	07	Frequency negative	Yes	No	-
	08	Field weakening active	Yes	No	-
	09	Voltage limit active	Yes	No	6714
	10	Slip limit active	Yes	No	6310
	11	Frequency limit active	Yes	No	-
	12	Current limiting controller voltage output active	Yes	No	-
	13	Current/torque limiting	Active	Inactive	6060
	14	Vdc_max controller active	Yes	No	6220, 6320
	15	Vdc_min controller active	Yes	No	6220, 6320

r0060	CO: Speed setpoint before the setpoint filter / n_set before filter.		
	Access level: 3	Calculated: -	Data type: FloatingPoint32
	Can be changed: -	Scaling: p2000	Data set: -
	Units group: 3_1	Unit selection: p0505	
	Min - [rpm]	Max - [rpm]	Factory setting - [rpm]
Description:	Displays the actual speed setpoint at the input of the speed controller or U/f characteristic (after the interpolator).		
Dependency:	Refer to: r0020		
Note:	The speed setpoint is available smoothed (r0020) and unsmoothed (r0060).		
r0062	CO: Speed setpoint after the filter / n_set after filter		
	Access level: 3	Calculated: -	Data type: FloatingPoint32
	Can be changed: -	Scaling: p2000	Data set: -
	Units group: 3_1	Unit selection: p0505	
	Min - [rpm]	Max - [rpm]	Factory setting - [rpm]
Description:	Displays the actual speed setpoint after the setpoint filters.		
r0063[0...2]	CO: Speed actual value / n_act		
	Access level: 3	Calculated: -	Data type: FloatingPoint32
	Can be changed: -	Scaling: p2000	Data set: -
	Units group: 3_1	Unit selection: p0505	
	Min - [rpm]	Max - [rpm]	Factory setting - [rpm]
Description:	Displays the actual speed of the closed-loop speed control and the U/f control.		
Index:	[0] = Unsmoothed [1] = Smoothed with p0045 [2] = Calculated from f_set - f_slip		
Dependency:	Refer to: r0021, r0022		
Note:	The speed actual value r0063[0] is additionally displayed - smoothed with p0045 - in r0063[1]. The speed (r0063[2]) calculated from the output frequency and slip can only be compared with the speed actual value (r0063[0]) in the steady-state.		
r0064	CO: Speed controller system deviation / n_ctrl system dev		
	Access level: 3	Calculated: -	Data type: FloatingPoint32
	Can be changed: -	Scaling: p2000	Data set: -
	Units group: 3_1	Unit selection: p0505	
	Min - [rpm]	Max - [rpm]	Factory setting - [rpm]
Description:	Displays the actual system deviation of the speed controller.		
r0065	Slip frequency / f_slip		
	Access level: 3	Calculated: -	Data type: FloatingPoint32
	Can be changed: -	Scaling: p2000	Data set: -
	Units group: 2_1	Unit selection: p0505	
	Min - [Hz]	Max - [Hz]	Factory setting - [Hz]
Description:	Displays the slip frequency for induction motors (ASM).		

r0066	CO: Output frequency / f_outp		
	Access level: 3	Calculated: -	Data type: FloatingPoint32
	Can be changed: -	Scaling: p2000	Data set: -
	Units group: 2_1	Unit selection: p0505	
	Min - [Hz]	Max - [Hz]	Factory setting - [Hz]
Description:	Displays the output frequency of the power unit.		
Dependency:	Refer to: r0024		
Note:	The output frequency is available smoothed (r0024) and unsmoothed (r0066).		
r0067	CO: Output current, maximum / I_outp max		
	Access level: 3	Calculated: -	Data type: FloatingPoint32
	Can be changed: -	Scaling: p2002	Data set: -
	Units group: 6_2	Unit selection: p0505	
	Min - [Arms]	Max - [Arms]	Factory setting - [Arms]
Description:	Displays the maximum output current of the power unit.		
Dependency:	The maximum output current is determined by the parameterized current limit and the motor and converter thermal protection. Refer to: p0290, p0640		
r0068[0...1]	CO: Absolute current actual value / I_act abs val		
	Access level: 3	Calculated: -	Data type: FloatingPoint32
	Can be changed: -	Scaling: p2002	Data set: -
	Units group: 6_2	Unit selection: p0505	
	Min - [Arms]	Max - [Arms]	Factory setting - [Arms]
Description:	Displays actual absolute current.		
Index:	[0] = Unsmoothed [1] = Smoothed with p0045		
Dependency:	Refer to: r0027		
Notice:	The value is updated with the current controller sampling time.		
Note:	Absolute current value = $\sqrt{I_q^2 + I_d^2}$ The absolute value of the current actual value is available smoothed (r0027 with 300 ms, r0068[1] with p0045) and unsmoothed (r0068[0]).		
r0069[0...6]	CO: Phase current actual value / I_phase act value		
	Access level: 4	Calculated: -	Data type: FloatingPoint32
	Can be changed: -	Scaling: p2002	Data set: -
	Units group: 6_5	Unit selection: p0505	
	Min - [A]	Max - [A]	Factory setting - [A]
Description:	Displays the measured actual phase currents as peak value.		
Index:	[0] = Phase U [1] = Phase V [2] = Phase W [3] = Phase U offset [4] = Phase V offset [5] = Phase W offset [6] = Total U, V, W		
Note:	In indices 3 ... 5, the offset currents of the 3 phases, which are added to correct the phase currents, are displayed. The sum of the 3 corrected phase currents is displayed in index 6.		

r0070	CO: Actual DC link voltage / Vdc act val		
	Access level: 3	Calculated: -	Data type: FloatingPoint32
	Can be changed: -	Scaling: p2001	Data set: -
	Units group: 5_2	Unit selection: p0505	
	Min - [V]	Max - [V]	Factory setting - [V]
Description:	Displays the measured actual value of the DC link voltage.		
Dependency:	Refer to: r0026		
Notice:	When measuring a DC link voltage < 200 V, for the Power Module a valid measured value is not supplied. In this case, when an external 24 V power supply is connected, a value of approx. 24 V is displayed in the display parameter.		
Note:	The DC link voltage is available smoothed (r0026) and unsmoothed (r0070).		
r0071	Maximum output voltage / U_output max		
	Access level: 3	Calculated: -	Data type: FloatingPoint32
	Can be changed: -	Scaling: p2001	Data set: -
	Units group: 5_1	Unit selection: p0505	
	Min - [Vrms]	Max - [Vrms]	Factory setting - [Vrms]
Description:	Displays the maximum output voltage.		
Dependency:	The maximum output voltage depends on the actual DC link voltage (r0070) and the maximum modulation depth (p1803).		
Note:	As the (driven) motor load increases, the maximum output voltage drops as a result of the reduction in DC link voltage.		
r0072	CO: Output voltage / U_output		
	Access level: 3	Calculated: -	Data type: FloatingPoint32
	Can be changed: -	Scaling: p2001	Data set: -
	Units group: 5_1	Unit selection: p0505	
	Min - [Vrms]	Max - [Vrms]	Factory setting - [Vrms]
Description:	Displays the actual output voltage of the power unit.		
Dependency:	Refer to: r0025		
Note:	The output voltage is available smoothed (r0025) and unsmoothed (r0072).		
r0073	Maximum modulation depth / Modulat_depth max		
	Access level: 4	Calculated: -	Data type: FloatingPoint32
	Can be changed: -	Scaling: PERCENT	Data set: -
	Units group: -	Unit selection: -	
	Min - [%]	Max - [%]	Factory setting - [%]
Description:	Displays the maximum modulation depth.		
Dependency:	Refer to: p1803		

r0074	CO: Modulat_depth / Modulat_depth		
	Access level: 4	Calculated: -	Data type: FloatingPoint32
	Can be changed: -	Scaling: PERCENT	Data set: -
	Units group: -	Unit selection: -	
	Min - [%]	Max - [%]	Factory setting - [%]
Description:	Displays the actual modulation depth.		
Dependency:	Refer to: r0028		
Note:	For space vector modulation, 100% corresponds to the maximum output voltage without overcontrol. Values above 100 % indicate an overcontrol condition - values below 100% have no overcontrol. The phase voltage (phase-to-phase, rms) is calculated as follows: $(r0074 \times r0070) / (\sqrt{2} \times 100 \%)$. The modulation depth is available smoothed (r0028) and unsmoothed (r0074).		
r0075	CO: Current setpoint field-generating / Id_set		
	Access level: 3	Calculated: -	Data type: FloatingPoint32
	Can be changed: -	Scaling: p2002	Data set: -
	Units group: 6_2	Unit selection: p0505	
	Min - [Arms]	Max - [Arms]	Factory setting - [Arms]
Description:	Displays the field-generating current setpoint (Id_set).		
Note:	This value is irrelevant for the U/f control mode.		
r0076	CO: Current actual value field-generating / Id_act		
	Access level: 3	Calculated: -	Data type: FloatingPoint32
	Can be changed: -	Scaling: p2002	Data set: -
	Units group: 6_2	Unit selection: p0505	
	Min - [Arms]	Max - [Arms]	Factory setting - [Arms]
Description:	Displays the field-generating current actual value (Id_act).		
Dependency:	Refer to: r0029		
Note:	This value is irrelevant for the U/f control mode. The field-generating current actual value is available smoothed (r0029) and unsmoothed (r0076).		
r0077	CO: Current setpoint torque-generating / Iq_set		
	Access level: 3	Calculated: -	Data type: FloatingPoint32
	Can be changed: -	Scaling: p2002	Data set: -
	Units group: 6_2	Unit selection: p0505	
	Min - [Arms]	Max - [Arms]	Factory setting - [Arms]
Description:	Displays the torque/force generating current setpoint.		
Note:	This value is irrelevant for the U/f control mode.		
r0078	CO: Current actual value torque-generating / Iq_act		
	Access level: 3	Calculated: -	Data type: FloatingPoint32
	Can be changed: -	Scaling: p2002	Data set: -
	Units group: 6_2	Unit selection: p0505	
	Min - [Arms]	Max - [Arms]	Factory setting - [Arms]
Description:	Displays the torque-generating current actual value (Iq_act).		
Dependency:	Refer to: r0030		
Note:	This value is irrelevant for the U/f control mode. The torque-generating current actual value is available smoothed (r0030 with 300 ms) and unsmoothed (r0078).		

r0079	CO: Torque setpoint / M_set total		
	Access level: 3	Calculated: -	Data type: FloatingPoint32
	Can be changed: -	Scaling: p2003	Data set: -
	Units group: 7_1	Unit selection: p0505	
	Min - [Nm]	Max - [Nm]	Factory setting - [Nm]
Description:	Displays the torque setpoint at the output of the speed controller.		
r0080[0...1]	CO: Torque actual value / M_act		
	Access level: 4	Calculated: -	Data type: FloatingPoint32
	Can be changed: -	Scaling: p2003	Data set: -
	Units group: 7_1	Unit selection: p0505	
	Min - [Nm]	Max - [Nm]	Factory setting - [Nm]
Description:	Displays the actual torque value.		
Index:	[0] = Unsmoothed [1] = Smoothed with p0045		
Dependency:	Refer to: r0031		
Note:	The torque actual value is available smoothed (r0031 with 100 ms, r0080[1] with p0045) and unsmoothed (r0080[0]).		
r0081	CO: Torque utilization / M_Utilization		
	Access level: 4	Calculated: -	Data type: FloatingPoint32
	Can be changed: -	Scaling: PERCENT	Data set: -
	Units group: -	Unit selection: -	
	Min - [%]	Max - [%]	Factory setting - [%]
Description:	Displays the torque utilization as a percentage. The torque utilization is obtained from the required smoothed torque referred to the torque limit.		
Dependency:	This parameter is only available for vector control. For U/f control r0081 = 0 %. Refer to: r0033		
Note:	The torque utilization is available smoothed (r0033) and unsmoothed (r0081). The torque utilization is obtained from the required torque referred to the torque limit as follows: - Positive torque: $r0081 = (r0079 / r1538) * 100 \%$ - Negative torque: $r0081 = (-r0079 / -r1539) * 100 \%$		
r0082[0...2]	CO: Active power actual value / P_act		
	Access level: 4	Calculated: -	Data type: FloatingPoint32
	Can be changed: -	Scaling: r2004	Data set: -
	Units group: 14_5	Unit selection: p0505	
	Min - [kW]	Max - [kW]	Factory setting - [kW]
Description:	Displays the instantaneous active power.		
Index:	[0] = Unsmoothed [1] = Smoothed with p0045 [2] = Electric power		
Dependency:	Refer to: r0032		
Note:	The mechanical active power is available smoothed (r0032 with 100 ms, r0082[1] with p0045) and unsmoothed (r0082[0]).		

r0083	CO: Flux setpoint / Flex setp		
	Access level: 4	Calculated: -	Data type: FloatingPoint32
	Can be changed: -	Scaling: PERCENT	Data set: -
	Units group: -	Unit selection: -	
	Min - [%]	Max - [%]	Factory setting - [%]
Description:	Displays the flux setpoint.		

r0084[0...1]	CO: Flux actual value / Flux act val		
	Access level: 4	Calculated: -	Data type: FloatingPoint32
	Can be changed: -	Scaling: PERCENT	Data set: -
	Units group: -	Unit selection: -	
	Min - [%]	Max - [%]	Factory setting - [%]
Description:	Displays the flux actual value.		
Index:	[0] = Unsmoothed [1] = Smoothed		

r0087	CO: Actual power factor / Cos phi act		
	Access level: 4	Calculated: -	Data type: FloatingPoint32
	Can be changed: -	Scaling: -	Data set: -
	Units group: -	Unit selection: -	
	Min -	Max -	Factory setting -
Description:	Displays the actual active power factor.		

r0089[0...2]	Actual phase voltage / U_phase act val		
	Access level: 4	Calculated: -	Data type: FloatingPoint32
	Can be changed: -	Scaling: p2001	Data set: -
	Units group: 5_3	Unit selection: p0505	
	Min - [V]	Max - [V]	Factory setting - [V]
Description:	Displays the actual phase voltage.		
Index:	[0] = Phase U [1] = Phase V [2] = Phase W		
Note:	The values are determined from the transistor power-on duration.		

p0100	IEC/NEMA mot stds / IEC/NEMA mot stds		
	Access level: 1	Calculated: -	Data type: Integer16
	Can be changed: C(1)	Scaling: -	Data set: -
	Units group: -	Unit selection: -	
	Min 0	Max 2	Factory setting 0
Description:	Defines whether the motor and drive converter power settings (e.g. rated motor power - p0307) are expressed in [kW] or [hp]. Depending on the selection, the rated motor frequency (p0310) is either set to 50 Hz or 60 Hz. For p0100 = 0, 2, the following applies: The power factor (p0308) should be parameterized. For p0100 = 1, the following applies: The efficiency (p0309) should be parameterized.		
Value:	0: IEC-Motor (50 Hz, SI units) 1: NEMA motor (60 Hz, US units) 2: NEMA motor (60 Hz, SI units)		
Dependency:	If p0100 is changed, all of the rated motor parameters are reset. Only then are possible unit changeovers made. The units of all motor parameters are changed that are involved with the selection IEC or NEMA. Refer to: r0206, p0210, p0300, p0304, p0305, p0307, p0308, p0309, p0310, p0311, p0320, p0322, p0323, p0335, p1800		
Note:	The parameter value is not reset when the factory setting is restored (p0010 = 30, p0970).		
p0170	Number of Command Data Sets (CDS) / CDS count		
	Access level: 2	Calculated: -	Data type: Unsigned8
	Can be changed: C(15)	Scaling: -	Data set: -
	Units group: -	Unit selection: -	
	Min 2	Max 2	Factory setting 2
Description:	Sets the number of Command Data Sets (CDS).		
Dependency:	Refer to: p0010, r3996		
Notice:	When the data sets are created, short-term communication interruptions may occur.		
Note:	It is possible to toggle between command parameters (BICO parameters) using this data set changeover.		
p0180	Number of Drive Data Sets (DDS) / DDS count		
	Access level: 3	Calculated: -	Data type: Unsigned8
	Can be changed: C(15)	Scaling: -	Data set: -
	Units group: -	Unit selection: -	
	Min 1	Max 1	Factory setting 1
Description:	Sets the number of Drive Data Sets (DDS).		
Dependency:	Refer to: p0010, r3996		
Notice:	When the data sets are created, short-term communication interruptions may occur.		
r0197	Bootloader vers / Bootloader vers		
	Access level: 4	Calculated: -	Data type: Unsigned32
	Can be changed: -	Scaling: -	Data set: -
	Units group: -	Unit selection: -	
	Min -	Max -	Factory setting -
Description:	Displays the bootloader version.		
Dependency:	Refer to: r0018, r0198		
Note:	Example: The value 1010100 should be interpreted as V01.01.01.00.		

r0198[0...1]	BIOS/EEPROM data version / BIOS/EEPROM vers				
	Access level: 4	Calculated: -	Data type: Unsigned32		
	Can be changed: -	Scaling: -	Data set: -		
	Units group: -	Unit selection: -			
	Min	Max	Factory setting		
	-	-	-		
Description:	Displays the BIOS and EEPROM data version. r0198[0]: BIOS version r0198[1]: EEPROM data version				
Dependency:	Refer to: r0018, r0197				
Note:	Example: The value 1010100 should be interpreted as V01.01.01.00.				
p0199[0...24]	Drive object name / DO name				
	Access level: 4	Calculated: -	Data type: Unsigned16		
	Can be changed: C	Scaling: -	Data set: -		
	Units group: -	Unit selection: -			
	Min	Max	Factory setting		
	0	65535	0		
Description:	Freely assignable name for a drive object. In the commissioning software, this name cannot be entered using the expert list, but is specified in the configuration assistant. The object name can be subsequently modified in the Project Navigator using standard Windows resources.				
Note:	The parameter is not influenced by setting the factory setting.				
p0201[0...n]	Power unit code number / PU code no				
	Access level: 3	Calculated: -	Data type: Unsigned16		
	Can be changed: C(2)	Scaling: -	Data set: PDS		
	Units group: -	Unit selection: -			
	Min	Max	Factory setting		
	0	65535	0		
Description:	Sets the actual code number from r0200 to acknowledge the power unit being used. When commissioned for the first time, the code number is automatically transferred from r0200 into p0201.				
Note:	The parameter is used to identify when the drive is being commissioned for the first time. The power unit commissioning can only be exited (p0201 = r0200), if the actual and acknowledged code numbers are identical (p0010 = 2). When the code number is changed, the connection voltage (p0210) is checked and, if necessary, adjusted.				
r0204[0...n]	Power unit hardware properties / PU HW property				
	Access level: 3	Calculated: -	Data type: Unsigned32		
	Can be changed: -	Scaling: -	Data set: PDS		
	Units group: -	Unit selection: -			
	Min	Max	Factory setting		
	-	-	-		
Description:	Displays the properties supported by the power unit hardware.				
Bit field:	Bit	Signal name	1 signal	0 signal	FP
	01	RFI filter available	Yes	No	-
	07	F3E regenerative feedback into the line supply	Yes	No	-
	08	Internal Braking Module	Yes	No	-
	12	Safe Brake Control (SBC) supported	No	Yes	-
	14	Internal LC output filter	Yes	No	-

p0205	Power unit application / PU application		
	Access level: 1	Calculated: -	Data type: Integer16
	Can be changed: C(1, 2)	Scaling: -	Data set: -
	Units group: -	Unit selection: -	
	Min 0	Max 1	Factory setting 0
Description:	The duty cycles can be overloaded provided that the drive converter is operated with its base load current before and after the overload. This is based on a load duty cycle of 300 s.		
Value:	0: Load duty cycle with high overload for vector drives 1: Load duty cycle with low overload for vector drives		
Dependency:	Refer to: r3996		
Notice:	The parameter value is not reset when the factory setting is restored (see p0010 = 30, p0970). When the power unit use is changed, short-term communication interruptions may occur.		
Note:	When the parameter is changed, all of the motor parameters, the technological application and the control mode are pre-assigned according to the selected application. The parameter has not influence when calculating the thermal overload. p0205 can only be changed to the settings that are saved in the power unit EEPROM.		
r0206[0...4]	Rated power unit power / PU P_{rated}		
	Access level: 2	Calculated: -	Data type: FloatingPoint32
	Can be changed: -	Scaling: -	Data set: -
	Units group: 14_6	Unit selection: p0100	
	Min - [kW]	Max - [kW]	Factory setting - [kW]
Description:	Displays the rated power unit power for various load duty cycles.		
Index:	[0] = Rated value [1] = Load duty cycle with low overload [2] = Load duty cycle with high overload [3] = Reserved [4] = Reserved		
Dependency:	IECdrives (p0100 = 0): Units kW NEMA drives (p0100 = 1): Units hp Refer to: p0100, p0205		
r0207[0...4]	Rated power unit current / PU PI_{rated}		
	Access level: 3	Calculated: -	Data type: FloatingPoint32
	Can be changed: -	Scaling: -	Data set: -
	Units group: -	Unit selection: -	
	Min - [Arms]	Max - [Arms]	Factory setting - [Arms]
Description:	Displays the rated power unit power for various load duty cycles.		
Index:	[0] = Rated value [1] = Load duty cycle with low overload [2] = Load duty cycle with high overload [3] = Reserved [4] = Reserved		
Dependency:	Refer to: p0205		

r0208	Rated power unit line supply voltage / PU U_{rated}		
	Access level: 2	Calculated: -	Data type: FloatingPoint32
	Can be changed: -	Scaling: -	Data set: -
	Units group: -	Unit selection: -	
	Min - [Vrms]	Max - [Vrms]	Factory setting - [Vrms]
Description:	Displays the rated line supply voltage of the power unit. r0208 = 400 : 380 - 480 V +/-10 % r0208 = 500 : 500 - 600 V +/-10 % r0208 = 690 : 660 - 690 V +/-10 %		
r0209[0...4]	Power unit, maximum current / PU I_{max}		
	Access level: 3	Calculated: -	Data type: FloatingPoint32
	Can be changed: -	Scaling: -	Data set: -
	Units group: -	Unit selection: -	
	Min - [Arms]	Max - [Arms]	Factory setting - [Arms]
Description:	Displays the maximum output current of the power unit.		
Index:	[0] = Catalog [1] = Load duty cycle with low overload [2] = Load duty cycle with high overload [3] = Reserved [4] = Reserved		
Dependency:	Refer to: p0205		
p0210	Drive unit line supply voltage / V_{connect}		
	Access level: 3	Calculated: -	Data type: Unsigned16
	Can be changed: C(2), T	Scaling: -	Data set: -
	Units group: -	Unit selection: -	
	Min 1 [V]	Max 63000 [V]	Factory setting 400 [V]
Description:	Sets the drive unit supply voltage (rms value of the phase-to-phase line supply voltage).		
Dependency:	Set p1254, p1294 (automatic detection of the V _{dc} switch-on levels) = 0. The switch-in thresholds of the V _{dc} _max controller are then directly determined using p0210.		
Caution:	If the line supply voltage is higher than the entered value, the V _{dc} controller may be automatically de-activated in some cases to prevent the motor from accelerating. In this case, an appropriate alarm is output.		
Note:	Setting ranges for p0210 as a function of the rated power unit voltage: U _{rated} = 230 V: - p0210 = 200 ... 240 V U _{rated} = 400 V: - p0210 = 380 ... 480 V U _{rated} = 500 V: - p0210 = 500 ... 600 V U _{rated} = 690 V: - p0210 = 660 ... 690 V The pre-charging switch-in threshold for the DC link voltage (V _{dc}) is calculated from p0210: V _{dc_pre} = p0210 * 0.82 * 1.35 The undervoltage thresholds for the DC link voltage (V _{dc}) are calculated from p0210 as a function of the rated power unit voltage: U _{rated} = 400 V: - U _{min} = p0210 * 0.78 > 360 V U _{rated} = 500 V: - U _{min} = p0210 * 0.76 U _{rated} = 690 V: - U _{min} = p0210 * 0.74 > 450 V		

p0230	Drive filter type, motor side / Drv filt type mot		
	Access level: 1	Calculated: -	Data type: Integer16
	Can be changed: C(1, 2)	Scaling: -	Data set: -
	Units group: -	Unit selection: -	
	Min 0	Max 4	Factory setting 0
Description:	Sets the type of the filter at the motor side.		
Value:	0: No filter 1: Motor reactor 2: dv/dt filter 3: Sine-wave filter, Siemens 4: Sine-wave filter, third-party		
Dependency:	The following parameters are influenced using p0230: p0230 = 1: --> p0233 (power unit, motor reactor) = filter inductance p0230 = 3: --> p0233 (power unit, motor reactor) = filter inductance --> p0234 (power unit sine-wave filter capacitance) = filter capacitance --> p0290 (power unit overload response) = inhibit pulse frequency reduction --> p1082 (maximum speed) = Fmax filter / pole pair number --> p1800 (pulse frequency) >= nominal pulse frequency of the filter --> p1802 (modulator modes) = space vector modulation without overcontrol p0230 = 4: --> p0290 (power unit overload response) = inhibit pulse frequency reduction --> p1802 (modulator modes) = space vector modulation without overcontrol The user must set the following parameters according to the data sheet of the sine-wave filter and also the user must check whether they are permitted. --> p0233 (power unit, motor reactor) = filter inductance --> p0234 (power unit sine-wave filter capacitance) = filter capacitance --> p1082 (maximum speed) = Fmax filter / pole pair number --> p1800 (pulse frequency) >= nominal pulse frequency of the filter Refer to: p0233, p0234, p0290, p1082, p1800, p1802		
Note:	If the power unit (e.g. PM260) is equipped with an internal sine-wave filter, the parameter cannot be changed. if a filter type cannot be selected, then this filter type is not permitted for the Motor Module. p0230 = 1: Power units with output reactor are limited to output frequencies of 150 Hz. p0230 = 3: Power units with sine-wave filter are limited to output frequencies of 200 Hz.		
p0233	Power unit motor reactor / PU mot reactor		
	Access level: 2	Calculated: -	Data type: FloatingPoint32
	Can be changed: C(2), U, T	Scaling: -	Data set: -
	Units group: -	Unit selection: -	
	Min 0.000 [mH]	Max 1000.000 [mH]	Factory setting 0.000 [mH]
Description:	Enter the inductance of a filter connected at the power unit output.		
Dependency:	This parameter is automatically pre-set when you select a filter via p0230 if a SIEMENS filter is defined for the power unit. Refer to: p0230		
Note:	When exiting the quick commissioning using p3900 = 1, the parameter value is set to the value of the defined SIEMENS filter or to zero. For this reason, the parameter value of a third-party filter only has to be entered outside the commissioning phase (p0010 = 0) and then the controller calculation (p0340 = 3) is carried out. The parameter cannot be changed if the power unit has an internal sine-wave filter.		

p0234	Power unit sine-wave filter capacitance / PU sine filter C		
	Access level: 2	Calculated: -	Data type: FloatingPoint32
	Can be changed: C(2), U, T	Scaling: -	Data set: -
	Units group: -	Unit selection: -	
	Min 0.000 [μ F]	Max 1000.000 [μ F]	Factory setting 0.000 [μ F]
Description:	Enters the capacitance of a sine-wave filter connected at the power unit output.		
Dependency:	This parameter is automatically pre-set when you select a filter via p0230 if a SIEMENS filter is defined for the power unit. Refer to: p0230		
Note:	The parameter value includes the sum of all of the capacitances of a phase connected in series (phase - ground). When exiting the quick commissioning using p3900 = 1, the parameter value is set to the value of the defined SIEMENS filter or to zero. For this reason, the parameter value of a third-party filter only has to be entered outside the commissioning phase (p0010 = 0). The parameter cannot be changed if the power unit has an internal sine-wave filter.		
r0238	Internal power unit resistance / PU R internal		
	Access level: 3	Calculated: -	Data type: FloatingPoint32
	Can be changed: -	Scaling: -	Data set: -
	Units group: -	Unit selection: -	
	Min - [ohm]	Max - [ohm]	Factory setting - [ohm]
Description:	Displays the internal resistance of the power unit (IGBT and line resistance).		
p0278	DC link voltage undervoltage threshold reduction / Vdc U_under red		
	Access level: 3	Calculated: -	Data type: FloatingPoint32
	Can be changed: T	Scaling: -	Data set: -
	Units group: -	Unit selection: -	
	Min -80 [V]	Max 0 [V]	Factory setting 0 [V]
Description:	Sets the absolute value by which the threshold to initiate the undervoltage fault (F30003) is reduced.		
Dependency:	Refer to: p0210 Refer to: F30003		
Notice:	When using a Control Supply Module (CSM) for 24 V supply from the DC link, the minimum continuous DC link voltage may not lie below 430 V. DC link voltages in the range 300 ... 430 V are permissible up to a duration of 1 min.		
p0287[0...1]	Ground fault monitoring thresholds / Gnd flt threshold		
	Access level: 3	Calculated: -	Data type: FloatingPoint32
	Can be changed: T	Scaling: -	Data set: -
	Units group: -	Unit selection: -	
	Min 0.0 [%]	Max 100.0 [%]	Factory setting [0] 6.0 [%] [1] 16.0 [%]
Description:	Sets the shutdown thresholds for the ground fault monitoring. The setting is made as a percentage of the maximum power unit current (r0209).		
Index:	[0] = Threshold at which pre-charging starts [1] = Threshold at which pre-charging stops		
Dependency:	Refer to: F30021		

r0289	CO: Maximum power unit output current / PU I_outp max		
	Access level: 3	Calculated: -	Data type: FloatingPoint32
	Can be changed: -	Scaling: p2002	Data set: -
	Units group: -	Unit selection: -	
	Min - [Arms]	Max - [Arms]	Factory setting - [Arms]
Description:	Displays the actual maximum output current of the power unit taking into account derating factors.		
p0290	Power unit overload response / PU overld response		
	Access level: 3	Calculated: -	Data type: Integer16
	Can be changed: T	Scaling: -	Data set: -
	Units group: -	Unit selection: -	
	Min 0	Max 3	Factory setting 2
Description:	Sets the response to a thermal overload condition of the power unit. The following quantities can result in a response to thermal overload: - heat sink temperature (r0037.0) - chip temperature (r0037.1) - power unit overload I2T (r0036) Possible measures to avoid thermal overload: - reduce the output current limit r0289 and r0067 or the output frequency (for V/f control) indirectly via the output current limit and the intervention of the current limiting controller). - reduce the pulse frequency. A reduction, if parameterized, is always realized after an appropriate alarm is output.		
Value:	0: Reduce output current or output frequency 1: No reduction, shutdown when overload threshold is reached 2: Reduce I_output or f_output and f_pulse (not using I2t) 3: Reduce the pulse frequency (not using I2t)		
Dependency:	If a sine-wave filter is parameterized as output filter (p0230 = 3, 4), then only responses can be selected without pulse frequency reduction (p0290 = 0, 1). If a fault or alarm is present, then r2135.13 or r2135.15 is set. Refer to: r0036, r0037, p0230, r2135 Refer to: A05000, A05001, A07805		
Caution:	If the thermal overload of the power unit is not sufficiently reduced by the actions taken, the drive is always shut down. This means that the power unit is always protected irrespective of the setting of this parameter.		
Note:	The setting p0290 = 0, 2 is only practical if the load decreases with decreasing speed (e.g. for applications with variable torque such as for pumps and fans). Under overload conditions, if the current and torque limits are reduced, and therefore the motor is braked, then forbidden speed ranges (e.g. minimum speed and suppression [skip] speeds) can also be passed through. For p0290 = 2, 3, the I2t overload detection of the power unit does not influence the responses. When the motor data identification routine is selected, p0290 cannot be changed.		

p0292[0...1]	Power unit temperature alarm threshold / PU T_alm thresh		
	Access level: 3	Calculated: -	Data type: FloatingPoint32
	Can be changed: U, T	Scaling: -	Data set: -
	Units group: -	Unit selection: -	
	Min 0 [°C]	Max 25 [°C]	Factory setting [0] 5 [°C] [1] 15 [°C]
Description:	Sets the alarm threshold for power unit overtemperatures. The value is set as a difference to the tripping (shut-down) temperature. Drive: If this threshold is exceeded, an overload alarm is generated and the system responds as parameterized in p0290. Infeed: When the threshold value is exceeded, only an overload alarm is output.		
Index:	[0] = Heat sink temperature [1] = Power semiconductor (chip) temperature		
Dependency:	Refer to: r0037, p0290 Refer to: A05000		
p0295	Fan run-on time / Fan run-on time		
	Access level: 3	Calculated: -	Data type: FloatingPoint32
	Can be changed: U, T	Scaling: -	Data set: -
	Units group: -	Unit selection: -	
	Min 0 [s]	Max 600 [s]	Factory setting 0 [s]
Description:	Sets the fan run-on time after the pulses for the power unit have been canceled.		
Note:	- Under certain circumstances, the fan can continue to run for longer than was set (e.g. as a result of the excessively high heat sink temperature). - For values less than 1 s, a 1 s run on time for the fan is active. - for a PM230 power unit, sizes D - F the parameter is ineffective.		
p0300[0...n]	Motor type selection / Mot type sel		
	Access level: 2	Calculated: -	Data type: Integer16
	Can be changed: C(1, 3)	Scaling: -	Data set: MDS
	Units group: -	Unit selection: -	
	Min 0	Max 17	Factory setting 0
Description:	Selecting the motor type. The first digit of the parameter value always defines the general motor type and corresponds to the third-party motor belonging to a motor list: 1 = Rotating induction motor 2 = Rotating synchronous motor The type information must be entered to filter motor-specific parameters and to optimize the operating characteristics and behavior. For example, for synchronous motors, power factor (p0308) is neither used nor displayed (in the BOP/IOP).		
Value:	0: No motor 1: Induction motor (rotating) 2: Synchronous motor (rotating, permanent-magnet) 17: 1LA7 standard induction motor		
Dependency:	When selecting a motor type from the 1LA7 series, parameters of the thermal motor model are pre-assigned as a function of p0307 and p0311.		
Note:	Once the Control Unit has been powered up for the first time or if the factory settings have been defined accordingly, the motor type is pre-configured to induction motor (p0300 = 1). If a motor type has not been selected (p0300 = 0), then the drive commissioning routine cannot be exited.		

p0301[0...n]	Motor code number selection / Mot code No. sel		
	Access level: 2	Calculated: -	Data type: Unsigned16
	Can be changed: C(1, 3)	Scaling: -	Data set: MDS
	Units group: -	Unit selection: -	
	Min 0	Max 65535	Factory setting 0
Description:	The parameter is used to select a motor from a motor parameter list. When changing the code number (with the exception to the value 0), all of the motor parameters are pre-assigned from the internally available parameter lists.		
Dependency:	Code numbers can only be selected for motor types that correspond to the motor type selected in p0300. Refer to: p0300		
Note:	The motor code number can only be changed if the matching catalog motor was first selected in p0300. When selecting a catalog motor (p0300 >= 100), drive commissioning can only be exited if a code number is selected.		
p0304[0...n]	Rated motor voltage / Mot U_{rated}		
	Access level: 1	Calculated: -	Data type: FloatingPoint32
	Can be changed: C(1, 3)	Scaling: -	Data set: MDS
	Units group: -	Unit selection: -	
	Min 0 [Vrms]	Max 20000 [Vrms]	Factory setting 0 [Vrms]
Description:	Sets the rated motor voltage (rating plate).		
Caution:	When selecting a catalog motor (p0301), this parameter is automatically pre-assigned and is write protected. Information in p0300 should be carefully observed when removing write protection.		
Note:	When the parameter value is entered the connection type of the motor (star-delta) must be taken into account. Once the Control Unit has booted for the first time or if the factory settings have been restored, the parameter is pre-assigned to match the power unit.		
p0305[0...n]	Rated motor current / Mot I_{rated}		
	Access level: 1	Calculated: -	Data type: FloatingPoint32
	Can be changed: C(1, 3)	Scaling: -	Data set: MDS
	Units group: -	Unit selection: -	
	Min 0.00 [Arms]	Max 10000.00 [Arms]	Factory setting 0.00 [Arms]
Description:	Sets the rated motor current (rating plate).		
Caution:	When selecting a catalog motor (p0301), this parameter is automatically pre-assigned and is write protected. Information in p0300 should be carefully observed when removing write protection.		
Notice:	If p0305 is changed during quick commissioning (p0010 = 1), then the maximum current p0640 is pre-assigned accordingly.		
Note:	When the parameter value is entered the connection type of the motor (star-delta) must be taken into account. Once the Control Unit has booted for the first time or if the factory settings have been restored, the parameter is pre-assigned to match the power unit.		

p0307[0...n]	Rated motor power / Mot P_{rated}		
	Access level: 1	Calculated: -	Data type: FloatingPoint32
	Can be changed: C(1, 3)	Scaling: -	Data set: MDS
	Units group: 14_6	Unit selection: p0100	
	Min 0.00 [kW]	Max 100000.00 [kW]	Factory setting 0.00 [kW]
Description:	Sets the rated motor power (rating plate).		
Dependency:	IECdrives (p0100 = 0): Units kW NEMA drives (p0100 = 1): Units hp NEMA drives (p0100 = 2): Unit kW Refer to: p0100		
Caution:	When selecting a catalog motor (p0301), this parameter is automatically pre-assigned and is write protected. Information in p0300 should be carefully observed when removing write protection.		
Note:	Once the Control Unit has booted for the first time or if the factory settings have been restored, the parameter is pre-assigned to match the power unit.		
p0308[0...n]	Rated motor power factor / Mot cos_{phi}_{rated}		
	Access level: 1	Calculated: -	Data type: FloatingPoint32
	Can be changed: C(1, 3)	Scaling: -	Data set: MDS
	Units group: -	Unit selection: -	
	Min 0.000	Max 1.000	Factory setting 0.000
Description:	Sets the rated motor power factor (cos phi, rating plate). For a parameter value of 0.000, the power factor is internally calculated.		
Dependency:	This parameter is only available for p0100 = 0, 2. Refer to: p0100, p0309		
Caution:	When selecting a catalog motor (p0301), this parameter is automatically pre-assigned and is write protected. Information in p0300 should be carefully observed when removing write protection.		
Note:	The parameter is not used for synchronous motors (p0300 = 2xx). Once the Control Unit has booted for the first time or if the factory settings have been restored, the parameter is pre-assigned to match the power unit.		
p0309[0...n]	Rated motor efficiency / Mot eta_{rated}		
	Access level: 1	Calculated: -	Data type: FloatingPoint32
	Can be changed: C(1, 3)	Scaling: -	Data set: MDS
	Units group: -	Unit selection: -	
	Min 0.0 [%]	Max 99.9 [%]	Factory setting 0.0 [%]
Description:	Sets the rated motor efficiency (rating plate). For a parameter value of 0.0, the power factor is internally calculated.		
Dependency:	This parameter is only available for NEMA motors (p0100 = 1). Refer to: p0100, p0308		
Note:	The parameter is not used for synchronous motors.		


p0310[0...n]	Rated motor frequency / Mot f_{rated}		
	Access level: 1	Calculated: -	Data type: FloatingPoint32
	Can be changed: C(1, 3)	Scaling: -	Data set: MDS
	Units group: -	Unit selection: -	
	Min 0.00 [Hz]	Max 650.00 [Hz]	Factory setting 0.00 [Hz]
Description:	Sets the rated motor frequency (rating plate).		
Dependency:	The number of pole pairs is automatically re-calculated when the parameter is changed (together with p0311), if p0314 = 0. The rated frequency is restricted to values between 1.00 Hz and 650.00 Hz. Refer to: p0311		
Caution:	When selecting a catalog motor (p0301), this parameter is automatically pre-assigned and is write protected. Information in p0300 should be carefully observed when removing write protection.		
Notice:	If p0310 is changed during quick commissioning (p0010 = 1), the maximum speed p1082, which is also associated with quick commissioning, is pre-assigned accordingly. This is not the case when commissioning the motor (p0010 = 3).		
Note:	Once the Control Unit has been booted up for the first time or if the factory settings have been defined accordingly, the parameter is defined in accordance with the power unit.		
p0311[0...n]	Rated motor speed / Mot n_{rated}		
	Access level: 1	Calculated: -	Data type: FloatingPoint32
	Can be changed: C(1, 3)	Scaling: -	Data set: MDS
	Units group: -	Unit selection: -	
	Min 0.0 [rpm]	Max 210000.0 [rpm]	Factory setting 0.0 [rpm]
Description:	Sets the rated motor speed (rating plate). For p0311 = 0, the rated motor slip of induction motors is internally calculated and displayed in r0330. It is especially important to correctly enter the rated motor speed for vector control and slip compensation for U/f control.		
Dependency:	If p0311 is changed and for p0314 = 0, the pole pair is re-calculated automatically. Refer to: p0310		
Caution:	When selecting a catalog motor (p0301), this parameter is automatically pre-assigned and is write protected. Information in p0300 should be carefully observed when removing write protection.		
Notice:	If p0311 is changed during quick commissioning (p0010 = 1), the maximum speed p1082, which is also associated with quick commissioning, is pre-assigned accordingly. This is not the case when commissioning the motor (p0010 = 3).		
Note:	Once the Control Unit has been booted up for the first time or if the factory settings have been defined accordingly, the parameter is defined in accordance with the power unit.		
p0316[0...n]	Motor torque constant / Mot k_T		
	Access level: 4	Calculated: -	Data type: FloatingPoint32
	Can be changed: C(1, 3), U, T	Scaling: -	Data set: MDS
	Units group: 28_1	Unit selection: p0100	
	Min 0.00 [Nm/A]	Max 400.00 [Nm/A]	Factory setting 0.00 [Nm/A]
Description:	Sets the torque constant of the synchronous motor. p0316 = 0: The torque constant is calculated from the motor data. p0316 > 0: The selected value is used as torque constant.		
Caution:	When selecting a catalog motor (p0301), this parameter is automatically pre-assigned and is write protected. Information in p0300 should be carefully observed when removing write protection.		
Note:	This parameter is not used for induction motors (p0300 = 1xx).		


p0320[0...n]	Motor rated magnetizing current/short-circuit current / Mot I_mag_rated		
	Access level: 3	Calculated: -	Data type: FloatingPoint32
	Can be changed: C(3), U, T	Scaling: -	Data set: MDS
	Units group: -	Unit selection: -	
	Min 0.000 [Arms]	Max 5000.000 [Arms]	Factory setting 0.000 [Arms]
Description:	Induction motors: Sets the rated motor magnetizing current. For p0320 = 0.000 the magnetizing current is internally calculated and displayed in r0331. Synchronous motors: Sets the rated motor short-circuit current.		
Caution:	When selecting a catalog motor (p0301), this parameter is automatically pre-assigned and is write protected. Information in p0300 should be carefully observed when removing write protection.		
Note:	The magnetizing current p0320 for induction motors is reset when quick commissioning is exited with p3900 > 0. If, for induction motors, the magnetizing current p0320 is changed outside the commissioning phase (p0010 > 0), then the magnetizing inductance p0360 is changed so that the EMF remains constant.		
p0322[0...n]	Maximum motor speed / Mot n_max		
	Access level: 1	Calculated: -	Data type: FloatingPoint32
	Can be changed: C(1, 3)	Scaling: -	Data set: MDS
	Units group: -	Unit selection: -	
	Min 0.0 [rpm]	Max 210000.0 [rpm]	Factory setting 0.0 [rpm]
Description:	Sets the maximum motor speed.		
Dependency:	Refer to: p1082		
Caution:	When selecting a catalog motor (p0301), this parameter is automatically pre-assigned and is write protected. Information in p0300 should be carefully observed when removing write protection.		
Notice:	If p0322 is changed during quick commissioning (p0010 = 1), the maximum speed p1082, which is also associated with quick commissioning, is pre-assigned accordingly.		
p0323[0...n]	Maximum motor current / Mot I_max		
	Access level: 1	Calculated: -	Data type: FloatingPoint32
	Can be changed: C(1, 3)	Scaling: -	Data set: MDS
	Units group: -	Unit selection: -	
	Min 0.00 [Arms]	Max 20000.00 [Arms]	Factory setting 0.00 [Arms]
Description:	Sets the maximum permissible motor current (e.g. de-magnetizing current for synchronous motors).		
Caution:	When selecting a catalog motor (p0301), this parameter is automatically pre-assigned and is write protected. Information in p0300 should be carefully observed when removing write protection.		
Notice:	If p0323 is changed during quick commissioning (p0010 = 1), then the maximum current p0640 is pre-assigned accordingly.		
Note:	The parameter has no effect for induction motors. The parameter has not effect for synchronous motors if a value of 0.0 is entered. The user-selectable current limit is entered into p0640.		

r0330[0...n]	Rated motor slip / Mot slip_rated		
	Access level: 3	Calculated: -	Data type: FloatingPoint32
	Can be changed: -	Scaling: -	Data set: MDS
	Units group: -	Unit selection: -	
	Min - [Hz]	Max - [Hz]	Factory setting - [Hz]
Description:	Displays the rated motor slip.		
Dependency:	The rated slip is calculated from the rated frequency, rated speed and number of pole pairs. Refer to: p0310, p0311		
Note:	The parameter is not used for synchronous motors (p0300 = 2xx).		
r0331[0...n]	Actual motor magnetizing current/short-circuit current / Mot I_mag_rtd act		
	Access level: 3	Calculated: -	Data type: FloatingPoint32
	Can be changed: -	Scaling: -	Data set: MDS
	Units group: -	Unit selection: -	
	Min - [Arms]	Max - [Arms]	Factory setting - [Arms]
Description:	Induction motor: Displays the rated magnetizing current from p0320. For p0320 = 0, the internally calculated magnetizing current is displayed. Synchronous motor: Displays the rated short-circuit current from p0320.		
Dependency:	If p0320 was not entered, then the parameter is calculated from the rating plate parameters.		
r0333[0...n]	Rated motor torque / Mot M_rated		
	Access level: 3	Calculated: -	Data type: FloatingPoint32
	Can be changed: -	Scaling: -	Data set: MDS
	Units group: 7_4	Unit selection: p0100	
	Min - [Nm]	Max - [Nm]	Factory setting - [Nm]
Description:	Displays the rated motor torque.		
Dependency:	IEC drives (p0100 = 0): unit Nm NEMA drives (p0100 = 1): unit lbf ft		
Note:	For induction motors, r0333 is calculated from p0307 and p0311. For synchronous motors, r0333 is calculated from p0305, p0316, p0327 and p0328.		
p0335[0...n]	Motor cooling type / Motor cooling type		
	Access level: 2	Calculated: -	Data type: Integer16
	Can be changed: C(1, 3), T	Scaling: -	Data set: MDS
	Units group: -	Unit selection: -	
	Min 0	Max 128	Factory setting 0
Description:	Sets the motor cooling system used.		
Value:	0: Non-ventilated 1: Forced cooling 2: Liquid cooling 128: No fan		
Dependency:	For 1LA7 motors (refer to p0300), the parameter is pre-set as a function of p0307 and p0311.		
Caution:	When selecting a catalog motor (p0301), this parameter is automatically pre-assigned and is write protected. Information in p0300 should be carefully observed when removing write protection.		
Note:	The parameter influences the thermal 3-mass motor model. 1LA7 motors, frame size 56 are operated without fan.		

p0340[0...n] Automatic calculation, motor/control parameters / Calc auto par			
	Access level: 2	Calculated: -	Data type: Integer16
	Can be changed: C(3), T	Scaling: -	Data set: DDS, p0180
	Units group: -	Unit selection: -	
	Min 0	Max 5	Factory setting 0
Description:	Setting to automatically calculate motor parameters and U/f open-loop and closed-loop control parameters from the rating plate data.		
Value:	0: No calculation 1: Complete calculation 2: Calculation of equivalent circuit diagram parameters 3: Calculation of closed-loop control parameters 4: Calculation of controller parameters 5: Calculation of technological limits and threshold values		
Notice:	After the value has been modified, no further parameter modifications can be made and the status is shown in r3996. Modifications can be made again when r3996 = 0. The following parameters are influenced using p0340: p0340 = 1: --> All of the parameters influenced for p0340 = 2, 3, 4, 5 --> p0341, p0342, p0344, p0640, p1082, p1231, p1232, p1349, p1611, p1726, p1909, p1959, p2000, p2001, p2002, p2003, p3927, p3928 p0340 = 2: --> p0350, p0354 ... p0360 --> p0625 (matching p0350) p0340 = 3: --> All of the parameters influenced for p0340 = 4, 5 --> p0346, p0347, p0622, p1320 ... p1327, p1582, p1755 p0340 = 4: --> p1290, p1292, p1338, p1340, p1341, p1345, p1346, p1470, p1472, p1764, p1767 p0340 = 5: --> p1037, p1038, p1520, p1521, p1530, p1531, p1802, p1803, p2390, p2392, p2393		
Note:	p0340 = 1 contains the calculations of p0340 = 2, 3, 4, 5. p0340 = 2 calculates the motor parameters (p0350 ... p0360). p0340 = 3 contains the calculations of p0340 = 4, 5. p0340 = 4 only calculates the controller parameters. p0340 = 5 only calculates the controller limits. When quick commissioning is exited using p3900 > 0, p0340 is automatically set to 1. At the end of the calculations, p0340 is automatically set to 0.		
p0341[0...n] Motor moment of inertia / Mot M_mom of inert			
	Access level: 3	Calculated: p0340 = 1	Data type: FloatingPoint32
	Can be changed: C(3), U, T	Scaling: -	Data set: MDS
	Units group: 25_1	Unit selection: p0100	
	Min 0.000000 [kgm ²]	Max 100000.000000 [kgm ²]	Factory setting 0.000000 [kgm ²]
Description:	Sets the motor moment of inertia (without load).		
Dependency:	IEC drives (p0100 = 0): unit kg m ² NEMA drives (p0100 = 1): unit lb ft ² The parameter value is included, together with p0342, in the rated starting time of the motor. Refer to: p0342, r0345		
Caution:	When selecting a catalog motor (p0301), this parameter is automatically pre-assigned and is write protected. Information in p0300 should be carefully observed when removing write protection.		
Note:	The product of p0341 * p0342 is used when the speed controller (p0340 = 4) is calculated automatically.		

p0342[0...n]	Ratio between the total and motor moment of inertia / Mot MomInert Ratio		
	Access level: 3	Calculated: p0340 = 1	Data type: FloatingPoint32
	Can be changed: C(3), U, T	Scaling: -	Data set: MDS
	Units group: -	Unit selection: -	
	Min 1.000	Max 10000.000	Factory setting 1.000
Description:	Sets the ratio between the total moment of inertia/mass (load + motor) and the intrinsic motor moment of inertia/mass (no load).		
Dependency:	This means that together with p0341, the rated starting (accelerating time) of the motor is calculated for a vector drive. Refer to: p0341, r0345		
Note:	The product of p0341 * p0342 is used when the speed controller (p0340 = 4) is calculated automatically.		
p0344[0...n]	Motor weight (for the thermal motor model) / Mot weight th mod		
	Access level: 4	Calculated: p0340 = 1	Data type: FloatingPoint32
	Can be changed: C(3), T	Scaling: -	Data set: MDS
	Units group: 27_1	Unit selection: p0100	
	Min 0.0 [kg]	Max 50000.0 [kg]	Factory setting 0.0 [kg]
Description:	Sets the motor weight.		
Dependency:	IEC drives (p0100 = 0): unit kg NEMA drives (p0100 = 1): unit lb		
Caution:	When selecting a catalog motor (p0301), this parameter is automatically pre-assigned and is write protected. Information in p0300 should be carefully observed when removing write protection.		
Note:	The parameter influences the thermal 3 mass model of the induction motor. The parameter is not used for synchronous motors (p0300 = 2xx).		
r0345[0...n]	Nominal motor starting time / Mot t_start Rated		
	Access level: 3	Calculated: -	Data type: FloatingPoint32
	Can be changed: -	Scaling: -	Data set: MDS
	Units group: -	Unit selection: -	
	Min - [s]	Max - [s]	Factory setting - [s]
Description:	Displays the rated motor starting time. This time corresponds to the time from standstill up to reaching the motor rated speed and the acceleration with motor rated torque.		
Dependency:	Refer to: r0333, p0341, p0342		

p0346[0...n]	Motor excitation build-up time / Mot t_excitation		
	Access level: 3	Calculated: p0340 = 1,3	Data type: FloatingPoint32
	Can be changed: C(3), U, T	Scaling: -	Data set: MDS
	Units group: -	Unit selection: -	
	Min 0.000 [s]	Max 20.000 [s]	Factory setting 0.000 [s]
Description:	Sets the excitation build-up time of the motor. This involves the delay time between enabling the pulses and enabling the ramp-function generator. The induction motor is magnetized during this time.		
Caution:	If there is insufficient magnetization under load or if the acceleration rate is too high, then an induction motor can stall (refer to the note).		
			
Note:	The parameter is calculated using p0340 = 1, 3. For induction motors, the result depends on the rotor time constant (r0384). If this time is excessively reduced, this can result in an inadequate magnetizing of the induction motor. This is the case if the current limit is reached while building up magnetizing. For induction motors, the parameter cannot be set to 0 s (internal limit: 0.1 * r0384). For permanent-magnet synchronous motors and vector control, the value depends on the stator time constant (r0386). Here, it defines the time to establish the current for encoderless operation immediately after the pulses have been enabled.		
p0347[0...n]	Motor de-excitation time / Mot t_de-excitat.		
	Access level: 3	Calculated: p0340 = 1,3	Data type: FloatingPoint32
	Can be changed: C(3), U, T	Scaling: -	Data set: MDS
	Units group: -	Unit selection: -	
	Min 0.000 [s]	Max 20.000 [s]	Factory setting 0.000 [s]
Description:	Sets the de-magnetizing time (for induction motors) after the inverter pulses have been canceled. The inverter pulses cannot be switched in (enabled) within this delay time.		
Note:	The parameter is calculated using p0340 = 1, 3. For induction motors, the result depends on the rotor time constant (r0384). if this time is shortened too much, then this can result in an inadequate de-magnetizing of the induction motor and in an overcurrent condition when the pulses are subsequently enabled (only when the flying restart function is activated and the motor is rotating).		
p0350[0...n]	Motor stator resistance, cold / Mot R_stator cold		
	Access level: 3	Calculated: p0340 = 1,2	Data type: FloatingPoint32
	Can be changed: C(3), U, T	Scaling: -	Data set: MDS
	Units group: -	Unit selection: -	
	Min 0.00000 [ohm]	Max 2000.00000 [ohm]	Factory setting 0.00000 [ohm]
Description:	Sets the stator resistance of the motor at ambient temperature p0625.		
Dependency:	Refer to: p0625		
Caution:	When selecting a catalog motor (p0301), this parameter is automatically pre-assigned and is write protected. Information in p0300 should be carefully observed when removing write protection.		
Note:	The motor identification routine determines the stator resistance from the total stator resistance minus the cable resistance (p0352).		

p0352[0...n]	Cable resistance / Mot R_cable cold		
	Access level: 3	Calculated: -	Data type: FloatingPoint32
	Can be changed: C(3), U, T	Scaling: -	Data set: MDS
	Units group: -	Unit selection: -	
	Min 0.00000 [ohm]	Max 120.00000 [ohm]	Factory setting 0.00000 [ohm]
Description:	Resistance of the power cable between the power unit and motor.		
Caution:	The cable resistance should be entered prior to motor data identification. If it is used subsequently, the difference by which p0352 was changed must be subtracted from the stator resistance p0350 or motor data identification must be repeated.		
			
Note:	The parameter influences the temperature adaptation of the stator resistance. The motor identification sets the cable resistance to 20% of the measured total resistance if p0352 is zero at the time that the measurement is made. If p0352 is not zero, then the value is subtracted from the measured total stator resistance to calculate stator resistance p0350. In this case, p0350 is a minimum of 10% of the measured value. The cable resistance is reset when quick commissioning is exited with p3900 > 0.		
p0354[0...n]	Motor rotor resistance cold / Mot R_r cold		
	Access level: 4	Calculated: p0340 = 1,2	Data type: FloatingPoint32
	Can be changed: C(3), U, T	Scaling: -	Data set: MDS
	Units group: -	Unit selection: -	
	Min 0.00000 [ohm]	Max 300.00000 [ohm]	Factory setting 0.00000 [ohm]
Description:	Sets the rotor/secondary section resistance of the motor at the ambient temperature p0625. This parameter value is automatically calculated using the motor model (p0340 = 1, 2) or using the motor data identification routine (p1910).		
Dependency:	Refer to: p0625		
Caution:	When selecting a catalog motor (p0301), this parameter is automatically pre-assigned and is write protected. Information in p0300 should be carefully observed when removing write protection.		
Note:	The parameter is not used for synchronous motors (p0300 = 2).		
p0356[0...n]	Motor stator leakage inductance / Mot L_stator leak.		
	Access level: 4	Calculated: p0340 = 1,2	Data type: FloatingPoint32
	Can be changed: C(3), U, T	Scaling: -	Data set: MDS
	Units group: -	Unit selection: -	
	Min 0.00000 [mH]	Max 1000.00000 [mH]	Factory setting 0.00000 [mH]
Description:	Induction machine: sets the stator leakage inductance of the motor. Synchronous motor: Sets the stator quadrature axis inductance of the motor. This parameter value is automatically calculated using the motor model (p0340 = 1, 2) or using the motor identification routine (p1910).		
Caution:	When selecting a catalog motor (p0301), this parameter is automatically pre-assigned and is write protected. Information in p0300 should be carefully observed when removing write protection.		
Note:	If the stator leakage inductance (p0356) for induction motors is changed outside the commissioning phase (p0010 > 0), the magnetizing inductance (p0360) is automatically adapted to the new EMF. You are then advised to repeat the measurement for the saturation characteristic (p1960). For permanent-magnet synchronous motors (p0300 = 2), this is the non-saturated value and is, therefore, ideal for a low current.		


p0357[0...n]	Motor stator inductance, d axis / Mot L_stator d		
	Access level: 4	Calculated: p0340 = 1,2	Data type: FloatingPoint32
	Can be changed: C(3), U, T	Scaling: -	Data set: MDS
	Units group: -	Unit selection: -	
	Min 0.00000 [mH]	Max 1000.00000 [mH]	Factory setting 0.00000 [mH]
Description:	Sets the stator direct-axis inductance of the synchronous motor. This parameter value is automatically calculated using the motor model (p0340 = 1, 2) or using the motor identification routine (p1910).		
Note:	For permanent-magnet synchronous motors (p0300 = 2), this is the non-saturated value and is ideal for a low current.		
p0358[0...n]	Motor rotor leakage inductance / Mot L_rot leak		
	Access level: 4	Calculated: p0340 = 1,2	Data type: FloatingPoint32
	Can be changed: C(3), U, T	Scaling: -	Data set: MDS
	Units group: -	Unit selection: -	
	Min 0.00000 [mH]	Max 1000.00000 [mH]	Factory setting 0.00000 [mH]
Description:	Sets the rotor/secondary section leakage inductance of the motor. The value is automatically calculated using the motor model (p0340 = 1, 2) or using the motor identification routine (p1910).		
Caution:	When selecting a catalog motor (p0301), this parameter is automatically pre-assigned and is write protected. Information in p0300 should be carefully observed when removing write protection.		
Note:	If the rotor leakage inductance (p0358) for induction motors is changed outside the commissioning phase (p0010 > 0), the magnetizing inductance (p0360) is automatically adapted to the new EMF. You are then advised to repeat the measurement for the saturation characteristic (p1960).		
p0360[0...n]	Motor magnetizing inductance / Mot Lh		
	Access level: 4	Calculated: p0340 = 1,2	Data type: FloatingPoint32
	Can be changed: C(3), U, T	Scaling: -	Data set: MDS
	Units group: -	Unit selection: -	
	Min 0.00000 [mH]	Max 10000.00000 [mH]	Factory setting 0.00000 [mH]
Description:	Sets the magnetizing inductance of the motor. This parameter value is automatically calculated using the motor model (p0340 = 1, 2) or using the motor identification routine (p1910).		
Caution:	When selecting a catalog motor (p0301), this parameter is automatically pre-assigned and is write protected. Information in p0300 should be carefully observed when removing write protection.		
Note:	The parameter is not used for synchronous motors (p0300 = 2).		

p0362[0...n]	Motor saturation characteristic flux 1 / Mot saturat.flux 1		
	Access level: 4	Calculated: -	Data type: FloatingPoint32
	Can be changed: C(3), U, T	Scaling: -	Data set: MDS
	Units group: -	Unit selection: -	
	Min 10.0 [%]	Max 300.0 [%]	Factory setting 60.0 [%]
Description:	The saturation characteristics (flux as a function of the magnetizing current) is defined using 4 points. This parameter specifies the y coordinate (flux) for the 1st value pair of the characteristic. Sets the first flux value of the saturation characteristic as a [%] referred to the rated motor flux (100 %).		
Dependency:	The following applies for the flux values: p0362 < p0363 < p0364 < p0365 Refer to: p0366		
Note:	For induction motors, p0362 = 100 % corresponds to the rated motor flux. When quick commissioning is exited with p3900 > 0, then the parameter is reset if a catalog motor has not been selected (refer to p0300).		
p0363[0...n]	Motor saturation characteristic flux 2 / Mot saturat.flux 2		
	Access level: 4	Calculated: -	Data type: FloatingPoint32
	Can be changed: C(3), U, T	Scaling: -	Data set: MDS
	Units group: -	Unit selection: -	
	Min 10.0 [%]	Max 300.0 [%]	Factory setting 85.0 [%]
Description:	The saturation characteristics (flux as a function of the magnetizing current) is defined using 4 points. This parameter specifies the y coordinate (flux) for the 2nd value pair of the characteristic. Sets the second flux value of the saturation characteristic as a [%] referred to the rated motor flux (100 %).		
Dependency:	The following applies for the flux values: p0362 < p0363 < p0364 < p0365 Refer to: p0367		
Note:	For induction motors, p0363 = 100 % corresponds to the rated motor flux. When quick commissioning is exited with p3900 > 0, then the parameter is reset if a catalog motor has not been selected (refer to p0300).		
p0364[0...n]	Motor saturation characteristic flux 3 / Mot saturat.flux 3		
	Access level: 4	Calculated: -	Data type: FloatingPoint32
	Can be changed: C(3), U, T	Scaling: -	Data set: MDS
	Units group: -	Unit selection: -	
	Min 10.0 [%]	Max 300.0 [%]	Factory setting 115.0 [%]
Description:	The saturation characteristics (flux as a function of the magnetizing current) is defined using 4 points. This parameter specifies the y coordinate (flux) for the 3rd value pair of the characteristic. Sets the third flux value of the saturation characteristic as a [%] referred to the rated motor flux (100 %).		
Dependency:	The following applies for the flux values: p0362 < p0363 < p0364 < p0365 Refer to: p0368		
Note:	For induction motors, p0364 = 100 % corresponds to the rated motor flux. When quick commissioning is exited with p3900 > 0, then the parameter is reset if a catalog motor has not been selected (refer to p0300).		

p0365[0...n]	Motor saturation characteristic flux 4 / Mot saturat.flux 4		
	Access level: 4	Calculated: -	Data type: FloatingPoint32
	Can be changed: C(3), U, T	Scaling: -	Data set: MDS
	Units group: -	Unit selection: -	
	Min 10.0 [%]	Max 300.0 [%]	Factory setting 125.0 [%]
Description:	The saturation characteristics (flux as a function of the magnetizing current) is defined using 4 points. This parameter specifies the y coordinate (flux) for the 4th value pair of the characteristic. Sets the fourth flux value of the saturation characteristic as a [%] referred to the rated motor flux (100 %).		
Dependency:	The following applies for the flux values: p0362 < p0363 < p0364 < p0365 Refer to: p0369		
Note:	For induction motors, p0365 = 100 % corresponds to the rated motor flux. When quick commissioning is exited with p3900 > 0, then the parameter is reset if a catalog motor has not been selected (refer to p0300).		
p0366[0...n]	Motor saturation characteristic I_mag 1 / Mot sat. I_mag 1		
	Access level: 4	Calculated: -	Data type: FloatingPoint32
	Can be changed: C(3), U, T	Scaling: -	Data set: MDS
	Units group: -	Unit selection: -	
	Min 5.0 [%]	Max 800.0 [%]	Factory setting 50.0 [%]
Description:	The saturation characteristics (flux as a function of the magnetizing current) is defined using 4 points. This parameter specifies the x coordinate (magnetizing current) for the 1st value pair of the characteristic. Sets the first magnetization current of the saturation characteristic in [%] with reference to the rated magnetization current (r0331).		
Dependency:	The following applies for the magnetizing currents: p0366 < p0367 < p0368 < p0369 Refer to: p0362		
Note:	When quick commissioning is exited with p3900 > 0, then the parameter is reset if a catalog motor has not been selected (refer to p0300).		
p0367[0...n]	Motor saturation characteristic I_mag 2 / Mot sat. I_mag 2		
	Access level: 4	Calculated: -	Data type: FloatingPoint32
	Can be changed: C(3), U, T	Scaling: -	Data set: MDS
	Units group: -	Unit selection: -	
	Min 5.0 [%]	Max 800.0 [%]	Factory setting 75.0 [%]
Description:	The saturation characteristics (flux as a function of the magnetizing current) is defined using 4 points. This parameter specifies the x coordinate (magnetizing current) for the 2nd value pair of the characteristic. Sets the second magnetization current of the saturation characteristic in [%] with reference to the rated magnetization current (r0331).		
Dependency:	The following applies for the magnetizing currents: p0366 < p0367 < p0368 < p0369 Refer to: p0363		
Note:	When quick commissioning is exited with p3900 > 0, then the parameter is reset if a catalog motor has not been selected (refer to p0300).		


p0368[0...n]	Motor saturation characteristic I_mag 3 / Mot sat. I_mag 3		
	Access level: 4	Calculated: -	Data type: FloatingPoint32
	Can be changed: C(3), U, T	Scaling: -	Data set: MDS
	Units group: -	Unit selection: -	
	Min 5.0 [%]	Max 800.0 [%]	Factory setting 150.0 [%]
Description:	The saturation characteristics (flux as a function of the magnetizing current) is defined using 4 points. This parameter specifies the x coordinate (magnetizing current) for the 3rd value pair of the characteristic. Sets the third magnetization current of the saturation characteristic in [%] with reference to the rated magnetization current (r0331).		
Dependency:	The following applies for the magnetizing currents: p0366 < p0367 < p0368 < p0369 Refer to: p0364		
Note:	When quick commissioning is exited with p3900 > 0, then the parameter is reset if a catalog motor has not been selected (refer to p0300).		
p0369[0...n]	Motor saturation characteristic I_mag 4 / Mot sat. I_mag 4		
	Access level: 4	Calculated: -	Data type: FloatingPoint32
	Can be changed: C(3), U, T	Scaling: -	Data set: MDS
	Units group: -	Unit selection: -	
	Min 5.0 [%]	Max 800.0 [%]	Factory setting 210.0 [%]
Description:	The saturation characteristics (flux as a function of the magnetizing current) is defined using 4 points. This parameter specifies the x coordinate (magnetizing current) for the 4th value pair of the characteristic. Sets the fourth magnetization current of the saturation characteristic in [%] with reference to the rated magnetization current (r0331).		
Dependency:	The following applies for the magnetizing currents: p0366 < p0367 < p0368 < p0369 Refer to: p0365		
Note:	When quick commissioning is exited with p3900 > 0, then the parameter is reset if a catalog motor has not been selected (refer to p0300).		
r0382[0...n]	Motor magnetizing inductance transformed / Mot L_magn transf		
	Access level: 4	Calculated: -	Data type: FloatingPoint32
	Can be changed: -	Scaling: -	Data set: MDS
	Units group: -	Unit selection: -	
	Min - [mH]	Max - [mH]	Factory setting - [mH]
Description:	Displays the magnetizing inductance of the motor.		
Note:	The parameter is not used for synchronous motors (p0300 = 2xx).		

r0384[0...n]	Motor rotor time constant / damping time constant d axis / Mot T_rotor/T_Dd		
	Access level: 4	Calculated: -	Data type: FloatingPoint32
	Can be changed: -	Scaling: -	Data set: MDS
	Units group: -	Unit selection: -	
	Min - [ms]	Max - [ms]	Factory setting - [ms]
Description:	Displays the rotor time constant.		
Note:	The parameter is not used for synchronous motors. The value is calculated from the total of the inductances on the rotor side (p0358, p0360) divided by the rotor resistance (p0354). The temperature adaptation of the rotor resistance for induction motors is not taken into account.		
r0386[0...n]	Motor stator leakage time constant / Mot T_stator leak		
	Access level: 4	Calculated: -	Data type: FloatingPoint32
	Can be changed: -	Scaling: -	Data set: MDS
	Units group: -	Unit selection: -	
	Min - [ms]	Max - [ms]	Factory setting - [ms]
Description:	Displays the stator leakage time constant.		
Note:	The value is calculated from the total of all leakage inductances (p0233, p0356, p0358) divided by the total of all motor resistances (p0350, p0352, p0354). The temperature adaptation of the resistances is not taken into account.		
r0395[0...n]	Actual stator resistance / R_stator act		
	Access level: 3	Calculated: -	Data type: FloatingPoint32
	Can be changed: -	Scaling: -	Data set: MDS
	Units group: -	Unit selection: -	
	Min - [ohm]	Max - [ohm]	Factory setting - [ohm]
Description:	Displays the actual stator resistance (phase value). The parameter value also contains the temperature-independent cable resistance.		
Dependency:	In the case of induction motors the parameter is also affected by the motor temperature model. Refer to: p0350, p0352, p0620		
Note:	In each case, only the stator resistance of the active Motor Data Set is included with the stator temperature of the thermal motor model.		
r0396[0...n]	Actual rotor resistance / R_rotor act		
	Access level: 3	Calculated: -	Data type: FloatingPoint32
	Can be changed: -	Scaling: -	Data set: MDS
	Units group: -	Unit selection: -	
	Min - [ohm]	Max - [ohm]	Factory setting - [ohm]
Description:	Displays the actual rotor resistance (phase value). The parameter is affected by the motor temperature model.		
Dependency:	Refer to: p0354, p0620		
Note:	In each case, only the rotor resistance of the active Motor Data Set is included with the rotor temperature of the thermal motor model. This parameter is not used for synchronous motors (p0300 = 2xx).		

p0500	Technology application / Tec application		
	Access level: 2	Calculated: -	Data type: Integer16
	Can be changed: C(1, 5), T	Scaling: -	Data set: -
	Units group: -	Unit selection: -	
	Min 0	Max 3	Factory setting 0
Description:	Sets the technology application. The parameter influences the calculation of open-loop and closed-loop control parameters that is e.g. initiated using p0340 = 5.		
Value:	0: Standard drive 1: Pumps and fans 2: Sensorless closed-loop control down to f = 0 (passive loads) 3: Pumps and fans, efficiency optimization		
Notice:	If the technological application is set to p0500 = 0 ... 3 during commissioning (p0010 = 1, 5, 30), the operating mode (p1300) is pre-set accordingly.		
Note:	The calculation of parameters dependent on the technology application can be called up as follows: - when exiting quick commissioning using p3900 > 0 - when writing p0340 = 1, 3, 5 For p0500 = 0 and when the calculation is initiated, the following parameters are set: - p1802 = 0 (automatic changeover SVM/FLB) - p1803 = 106 % For p0500 = 1 and when the calculation is initiated, the following parameters are set: - p1802 = 0 (automatic changeover SVM/FLB) - p1803 = 106 % For p0500 = 2 and when the calculation is initiated, the following parameters are set: - p1802 = 0 (automatic changeover SVM/FLB) - p1803 = 106 % For p0500 = 3 and when the calculation is initiated, the following parameters are set: - p1802 = 0 (automatic changeover SVM/FLB) - p1803 = 106 % Re p1750: Re p1802 / p1803: p1802 and p1803 are only changed, in all cases, if a sine-wave output filter (p0230 = 3, 4) has not been selected.		
p0505	Selecting the system of units / Unit sys select		
	Access level: 1	Calculated: -	Data type: Integer16
	Can be changed: C(5)	Scaling: -	Data set: -
	Units group: -	Unit selection: -	
	Min 1	Max 4	Factory setting 1
Description:	Adjustable parameter of the actual system of units.		
Value:	1: SI system of units 2: System of units, referred/SI 3: US system of units 4: System of units, referred/US		
Dependency:	The parameter cannot be changed if the master control was fetched.		
Caution:	If a per unit representation is selected and if the reference parameters (e.g. p2000) are subsequently changed, then the physical significance of several control parameters is also adapted at the same time. The control behavior can change as a consequence.		
			
Note:	Reference parameter for the unit system % are, for example, p2000 ... p2004. Depending on what has been selected, these are displayed using either SI or US units.		

p0573	Inhibit automatic reference value calculation / Inhibit calc		
	Access level: 3	Calculated: -	Data type: Integer16
	Can be changed: U, T	Scaling: -	Data set: -
	Units group: -	Unit selection: -	
	Min	Max	Factory setting
	0	1	0
Description:	Setting to inhibit the calculation of reference parameters (e.g. p2000) when automatically calculating the motor and closed-loop control parameters (p0340, p3900).		
Value:	0: No 1: Yes		
Notice:	The inhibit for the reference value calculation is canceled when new motor parameters (e.g. p0305) are entered and only one drive data set exists (p0180 = 1). This is the case during initial commissioning. Once the motor and control parameters have been calculated (p0340, p3900), the inhibit for the reference value calculation is automatically re-activated.		
Note:	If value = 0: The automatic calculation (p0340, p3900) overwrites the reference parameters. If value = 1: The automatic calculation (p0340, p3900) does not overwrite the reference parameters.		

p0595 Selecting technological units / Select tech units			
	Access level: 1	Calculated: -	Data type: Integer16
	Can be changed: C(5)	Scaling: -	Data set: -
	Units group: -	Unit selection: -	
	Min	Max	Factory setting
	1	46	1
Description:	Selects the units for the parameters of the technology controller.		
Value:	1: % 2: 1 referred, no dimensions 3: bar 4: °C 5: Pa 6: ltr/s 7: m³/s 8: ltr/min 9: m³/min 10: ltr/h 11: m³/h 12: kg/s 13: kg/min 14: kg/h 15: t/min 16: t/h 17: N 18: kN 19: Nm 20: psi 21: °F 22: gallon/s 23: inch³/s 24: gallon/min 25: inch³/min 26: gallon/h 27: inch³/h 28: lb/s 29: lb/min 30: lb/h 31: lbf 32: lbf ft 33: K 34: rpm 35: parts/min 36: m/s 37: ft³/s 38: ft³/min 39: BTU/min 40: BTU/h 41: mbar 42: inch wg 43: ft wg 44: m wg 45: % r.h. 46: g/kg		
Dependency:	Only units of parameters with unit group 9_1 can be changed over using this parameter. Refer to: p0596		

p0596	Reference quantity, technological units / Ref tech units		
	Access level: 1	Calculated: -	Data type: FloatingPoint32
	Can be changed: T	Scaling: -	Data set: -
	Units group: -	Unit selection: -	
	Min 0.01	Max 340.28235E36	Factory setting 1.00
Description:	Sets the reference quantity for the technological units. When changing over using changeover parameter 595 to absolute units, all of the parameters involved refer to the reference quantity.		
Dependency:	Refer to: p0595		
p0601[0...n]	Motor temperature sensor type / Mot_temp_sens type		
	Access level: 2	Calculated: -	Data type: Integer16
	Can be changed: C(3), U, T	Scaling: -	Data set: MDS
	Units group: -	Unit selection: -	
	Min 0	Max 4	Factory setting 0
Description:	Sets the sensor type for the motor temperature monitoring.		
Value:	0: No sensor 1: PTC alarm & timer 2: KTY84 4: Bimetallic NC contact alarm & timer		
Caution:	If, for a selected KTY temperature sensor (p0601 = 2), the motor temperature sensor is not connected but another encoder, then the temperature adaptation of the motor resistances must be switched out (p0620 = 0). Otherwise, in controlled-loop operation, torque errors will occur that will mean that the drive will not be able to be stopped.		
			
Note:	PTC thermistor (p0601 = 1): Tripping resistance = 1650 Ohm.		
p0604[0...n]	Motor temperature alarm threshold / Mot_temp al thr		
	Access level: 2	Calculated: -	Data type: FloatingPoint32
	Can be changed: C(3), U, T	Scaling: -	Data set: MDS
	Units group: 21_1	Unit selection: p0505	
	Min 0.0 [°C]	Max 240.0 [°C]	Factory setting 130.0 [°C]
Description:	Sets the alarm threshold for monitoring the motor temperature.		
Caution:	When selecting a catalog motor (p0301), this parameter is automatically pre-assigned and is write protected. Information in p0300 should be carefully observed when removing write protection.		
Note:	The hysteresis for canceling the alarm is 2 Kelvin. When quick commissioning is exited with p3900 > 0, then the parameter is reset if a catalog motor has not been selected (refer to p0300).		
p0605[0...n]	Motor temperature fault threshold / Mot_temp flt thr		
	Access level: 3	Calculated: -	Data type: FloatingPoint32
	Can be changed: C(3), U, T	Scaling: -	Data set: MDS
	Units group: 21_1	Unit selection: p0505	
	Min 0.0 [°C]	Max 240.0 [°C]	Factory setting 145.0 [°C]
Description:	Sets the fault threshold for monitoring the motor temperature.		
Caution:	When selecting a catalog motor (p0301), this parameter is automatically pre-assigned and is write protected. Information in p0300 should be carefully observed when removing write protection.		
Note:	The hysteresis for canceling the fault is 2 Kelvin. When quick commissioning is exited with p3900 > 0, then the parameter is reset if a catalog motor has not been selected (refer to p0300).		

p0610[0...n]	Motor overtemperature response / Mot temp response		
	Access level: 3	Calculated: -	Data type: Integer16
	Can be changed: C(3), T	Scaling: -	Data set: MDS
	Units group: -	Unit selection: -	
	Min 0	Max 2	Factory setting 1
Description:	Sets the system response when the motor temperature reaches the alarm threshold.		
Value:	0: No response only alarm no reduction of I_max 1: Alarm with reduction of I_max and fault 2: Alarm and fault no reduction of I_max		
Dependency:	Refer to: p0601, p0604, p0605 Refer to: F07011, A07910		
Note:	The I_max reduction is not executed for PTC (p0601 = 1) or bimetallic NC contact (p0601 = 4). The I_max reduction results in a lower output frequency. If value = 0: Timer is not started, therefore only alarm A07910 is output. If value = 1: PTC: Same as value = 2 because there is no reduction in I_max. KTY84: Alarm A07910 is output, I_max is reduced and a timer is started. After the timer has elapsed, fault F0711 is set. If value = 2: Alarm A07910 is output and a timer is started. After the timer has elapsed, fault F0711 is set.		
p0611[0...n]	I2t motor model thermal time constant / I2t mot_mod T		
	Access level: 3	Calculated: -	Data type: FloatingPoint32
	Can be changed: C(3), U, T	Scaling: -	Data set: MDS
	Units group: -	Unit selection: -	
	Min 0 [s]	Max 20000 [s]	Factory setting 0 [s]
Description:	Sets the winding time constant. The time constant specifies the warm-up time of the cold stator winding when loaded with the motor standstill current up until a temperature rise of 63 % of the continuously permissible winding temperature has been reached.		
Dependency:	This parameter is only used for synchronous motors (p0300 = 2xx). Refer to: r0034, p0615 Refer to: F07011, A07012, A07910		
Caution:	This parameter is automatically pre-set from the motor database for motors from the motor list (p0301). When selecting a catalog motor, this parameter cannot be changed (write protection). Information in p0300 should be carefully observed when removing write protection.		
Note:	When parameter p0611 is reset to 0, then this switches out the thermal I2t motor model. If no temperature sensor is parameterized, then the ambient temperature for the thermal motor model is referred to p0625.		
p0615[0...n]	I2t motor model fault threshold / I2t mot_mod thresh		
	Access level: 3	Calculated: -	Data type: FloatingPoint32
	Can be changed: C(3), U, T	Scaling: -	Data set: MDS
	Units group: 21_1	Unit selection: p0505	
	Min 0.0 [°C]	Max 220.0 [°C]	Factory setting 180.0 [°C]
Description:	Sets the fault threshold for monitoring using the thermal I2t motor model.		
Dependency:	The parameter is only used for permanent-magnet synchronous motors (p0300 = 2xx). Refer to: r0034, p0611 Refer to: F07011, A07012		
Caution:	When selecting a catalog motor (p0301), this parameter is automatically pre-assigned and is write protected. Information in p0300 should be carefully observed when removing write protection.		

p0620[0...n]	Thermal adaptation, stator and rotor resistance / Mot therm_adapt R		
Access level: 4	Calculated: p0340 = 1	Data type: Integer16	
Can be changed: C(3), U, T	Scaling: -	Data set: MDS	
Units group: -	Unit selection: -		
Min	Max	Factory setting	
0	2	1	
Description:	Sets the thermal adaptation of the stator/primary section resistance and rotor/secondary section resistance according to r0395 and r0396.		
Value:	0: No thermal adaptation of stator and rotor resistances 1: Resistances adapted to the temperatures of the thermal model 2: Resistances adapted to the measured stator winding temperature		
Note:	For p0620 = 1, the following applies: The stator resistance is adapted using the temperature in r0035 and the rotor resistance together with the model temperature. For p0620 = 2, the following applies: The stator resistance is adapted using the temperature in r0035.		
p0621[0...n]	Identification stator resistance after restart / Rst_ident Restart		
Access level: 4	Calculated: -	Data type: Integer16	
Can be changed: C(3), T	Scaling: -	Data set: MDS	
Units group: -	Unit selection: -		
Min	Max	Factory setting	
0	2	0	
Description:	Selects the identification of the stator resistance after booting the Control Unit (only for vector control). The identification is used to measure the actual stator resistance and from the ratio of the result of motor data identification (p0350) to the matching ambient temperature (p0625) the actual mean temperature of the stator winding is calculated. The result is used to initialize the thermal motor model. p0621 = 1: Identification of the stator resistance only when the drive is powered up for the first time (pulse enable) after booting the Control Unit. p0621 = 2: Identification of the stator resistance every time the drive is powered up (pulse enable).		
Value:	0: No Rs identification 1: Rs identification after switching-on again 2: Rs identification after switching-on each time		
Dependency:	- perform motor data identification (see p1910) with cold motor. - enter ambient temperature at time of motor data identification in p0625. Refer to: p0622, r0623		
Notice:	The calculated stator temperature can only be compared with the measured value of a temperature sensor (KTY) to a certain extent, as the sensor is usually the warmest point of the stator winding, whereas the measured value of identification reflects the mean value of the stator winding. Furthermore this is a short-time measurement with limited accuracy that is performed during the magnetizing phase of the induction motor.		
Note:	The measurement is carried out: - For induction motors - When vector control is active (see p1300) - If a temperature sensor (KTY) has not been connected - When the motor is at a standstill when switched on When a flying restart is performed on a rotating motor, the temperatures of the thermal motor model are set to a third of the overtemperatures. This occurs only once, however, when the CU is booted (e.g. after a power failure). If identification is activated, the magnetizing time is determined via p0622 and not via p0346. The speed is enabled after completion of the measurement.		

p0622[0...n]	Motor excitation time for Rs_ident after powering up again / t_excit Rs_id		
	Access level: 4	Calculated: p0340 = 1,3	Data type: FloatingPoint32
	Can be changed: C(3), U, T	Scaling: -	Data set: MDS
	Units group: -	Unit selection: -	
	Min 0.000 [s]	Max 20.000 [s]	Factory setting 0.000 [s]
Description:	Sets the excitation time of the motor for the stator resistance identification after powering up again (restart).		
Dependency:	Refer to: p0621, r0623		
Note:	For p0622 < p0346 the following applies: If identification is activated, the magnetizing time is influenced by p0622. The speed is enabled after measurement is complete, but not before the time in p0346 has elapsed (see r0056 bit 4). The time taken for measurement also depends on the settling time of the measured current. For p0622 >= p0346 the following applies: Parameter p0622 is internally limited to the magnetizing time p0346, so that p0346 represents the maximum possible magnetizing time during identification. The entire measurement period (magnetizing plus measurement settling time plus measuring time) will always be greater than p0346.		
r0623	Stator resistance of Rs identification after powering up again / R_Stator Reset_Id		
	Access level: 4	Calculated: -	Data type: FloatingPoint32
	Can be changed: -	Scaling: -	Data set: -
	Units group: -	Unit selection: -	
	Min - [ohm]	Max - [ohm]	Factory setting - [ohm]
Description:	Displays the identified stator resistance after the Rs identification after powering up again.		
Dependency:	Refer to: p0621, p0622		
p0625[0...n]	Motor ambient temperature / Mot T_ambient		
	Access level: 3	Calculated: p0340 = 1,2	Data type: FloatingPoint32
	Can be changed: C(3), U, T	Scaling: -	Data set: MDS
	Units group: 21_1	Unit selection: p0505	
	Min -40 [°C]	Max 80 [°C]	Factory setting 20 [°C]
Description:	Defines the ambient temperature of the motor for calculating the motor temperature model.		
Note:	The parameters for stator and rotor resistance (p0350, p0354) refer to this temperature. If the thermal I2t motor model is activated for permanent-magnet synchronous motors (refer to p0611), p0625 is included in the model calculation if a temperature sensor is not being used (see p0601).		
r0632[0...n]	Motor temperature model, stator winding temperature / MotMod T_copper		
	Access level: 4	Calculated: -	Data type: FloatingPoint32
	Can be changed: -	Scaling: p2006	Data set: MDS
	Units group: 21_1	Unit selection: p0505	
	Min - [°C]	Max - [°C]	Factory setting - [°C]
Description:	Displays the stator winding temperature of the motor temperature model.		

p0637[0...n]	Q flux flux gradient saturated / PSIQ Grad SAT		
	Access level: 3	Calculated: -	Data type: FloatingPoint32
	Can be changed: C(3), U, T	Scaling: -	Data set: MDS
	Units group: -	Unit selection: -	
	Min 0.00 [mH]	Max 10000.00 [mH]	Factory setting 0.00 [mH]
Description:	The non-linear and cross-coupled quadrature axis flux functions are defined using 4 coefficients. This parameter describes the gradients of the saturated component over the quadrature axis current.		
p0640[0...n]	Current limit / Current limit		
	Access level: 2	Calculated: p0340 = 1	Data type: FloatingPoint32
	Can be changed: C(1, 3), U, T	Scaling: -	Data set: DDS, p0180
	Units group: -	Unit selection: -	
	Min 0.00 [Arms]	Max 10000.00 [Arms]	Factory setting 0.00 [Arms]
Description:	Sets the current limit.		
Dependency:	Refer to: r0209, p0323		
Note:	The parameter is part of the quick commissioning (p0010 = 1); this means that it is appropriately pre-assigned when changing p0305. The current limit p0640 is limited to r0209. The resulting current limit is displayed in r0067 and if required, r0067 is reduced by the thermal model of the power unit. The torque and power limits (p1520, p1521, p1530, p1531) matching the current limit are automatically calculated when exiting the quick commissioning using p3900 > 0 or using the automatic parameterization with p0340 = 3, 5. p0640 is limited to 4.0 x p0305. p0640 is pre-assigned for the automatic self commissioning routine (e.g. to 1.5 x p0305, with p0305 = r0207[1]). p0640 must be entered when commissioning the system. This is the reason that p0640 is not calculated by the automatic parameterization when exiting the quick commissioning (p3900 > 0).		
p0700[0...n]	Command source selection / Cmd src sel		
G120C CAN	Access level: 1	Calculated: -	Data type: Integer16
	Can be changed: T	Scaling: -	Data set: CDS, p0170
	Units group: -	Unit selection: -	
	Min 0	Max 200	Factory setting 0
Description:	Sets the command source.		
Value:	0: No Macro 2: Terminals 100: EAQ1 101: EAQ2 110: Set enable signals 120: FBM (fault, operation, signal) 130: Safety 0 140: CDS 150: MOP 1 152: MOP 3 160: Fix Setpoint 0 162: Fix Setpoint 2 181: 2 Wire type 2 182: 2 Wire type 3 183: 3 Wire type 1 184: 3 Wire type 2 200: CAN Control		
Caution:	When executing a specific macro, the corresponding programmed settings are made and become active.		

p0700[0...n]		Command source selection / Cmd src sel	
G120C DP	Access level: 1	Calculated: -	Data type: Integer16
	Can be changed: T	Scaling: -	Data set: CDS, p0170
	Units group: -	Unit selection: -	
	Min	Max	Factory setting
	0	184	0
Description:	Sets the command source.		
Value:	0: No Macro 2: Terminals 6: Fieldbus 100: EAQ1 101: EAQ2 110: Set enable signals 120: FBM (fault, operation, signal) 130: Safety 0 140: CDS 150: MOP 1 152: MOP 3 160: Fix Setpoint 0 162: Fix Setpoint 2 170: Jog 1 181: 2 Wire type 2 182: 2 Wire type 3 183: 3 Wire type 1 184: 3 Wire type 2		
Caution:	When executing a specific macro, the corresponding programmed settings are made and become active.		

p0700[0...n]		Command source selection / Cmd src sel	
G120C USS/MB	Access level: 1	Calculated: -	Data type: Integer16
	Can be changed: T	Scaling: -	Data set: CDS, p0170
	Units group: -	Unit selection: -	
	Min	Max	Factory setting
	0	184	0
Description:	Sets the command source.		
Value:	0: No Macro 2: Terminals 6: Fieldbus 100: EAQ1 101: EAQ2 110: Set enable signals 120: FBM (fault, operation, signal) 130: Safety 0 140: CDS 150: MOP 1 152: MOP 3 160: Fix Setpoint 0 162: Fix Setpoint 2 181: 2 Wire type 2 182: 2 Wire type 3 183: 3 Wire type 1 184: 3 Wire type 2		
Caution:	When executing a specific macro, the corresponding programmed settings are made and become active.		


r0720[0...4]	CU number of inputs and outputs / CU I/O count		
	Access level: 3	Calculated: -	Data type: Unsigned16
	Can be changed: -	Scaling: -	Data set: -
	Units group: -	Unit selection: -	
	Min	Max	Factory setting
	-	-	-
Description:	Displays the number of inputs and outputs		
Index:	[0] = Number of digital inputs [1] = Number of digital outputs [2] = Number of digital input/outputs bidirectional [3] = Number of analog inputs [4] = Number of analog outputs		

r0722.0...11	CO/BO: CU digital inputs, status / CU DI status				
	Access level: 2	Calculated: -	Data type: Unsigned32		
	Can be changed: -	Scaling: -	Data set: -		
	Units group: -	Unit selection: -			
	Min	Max	Factory setting		
	-	-	-		
Description:	Displays the status of the digital inputs.				
Bit field:	Bit	Signal name	1 signal	0 signal	FP
	00	DI 0 (T. 5)	High	Low	-
	01	DI 1 (T. 6)	High	Low	-
	02	DI 2 (T. 7)	High	Low	-
	03	DI 3 (T. 8)	High	Low	-
	04	DI 4 (T. 16)	High	Low	-
	05	DI 5 (T. 17)	High	Low	-
	11	DI 11 (T. 3, 4) AI 0	High	Low	-
Dependency:	Refer to: r0723				
Notice:	To the terminal designation: The first designation is valid for CU320, the second for CU310.				
Note:	AI: Analog Input DI: Digital Input T: Terminal				

r0723.0...11	CO/BO: CU digital inputs, status inverted / CU DI status inv				
	Access level: 3	Calculated: -	Data type: Unsigned32		
	Can be changed: -	Scaling: -	Data set: -		
	Units group: -	Unit selection: -			
	Min	Max	Factory setting		
	-	-	-		
Description:	Displays the inverted status of the digital inputs.				
Bit field:	Bit	Signal name	1 signal	0 signal	FP
	00	DI 0 (T. 5)	High	Low	-
	01	DI 1 (T. 6)	High	Low	-
	02	DI 2 (T. 7)	High	Low	-
	03	DI 3 (T. 8)	High	Low	-
	04	DI 4 (T. 16)	High	Low	-
	05	DI 5 (T. 17)	High	Low	-
	11	DI 11 (T. 3, 4) AI 0	High	Low	-
Dependency:	Refer to: r0722				
Notice:	To the terminal designation: The first designation is valid for CU320, the second for CU310.				
Note:	DI: Digital Input T: Terminal				

p0724	CU digital inputs debounce time / CU DI t_debounce				
	Access level: 4	Calculated: -	Data type: FloatingPoint32		
	Can be changed: U, T	Scaling: -	Data set: -		
	Units group: -	Unit selection: -			
	Min 0.000 [ms]	Max 20.000 [ms]	Factory setting 4.000 [ms]		
Description:	Sets the debounce time for digital inputs.				
Note:	The digital inputs are read in cyclically every 2 ms (DI 11, DI 12 every 4 ms). To debounce the signals, the set debounce time is converted into integer multiple debounce clock cycles Tp (Tp = p0724 / 2 ms). DI: Digital Input				
p0730	BI: CU signal source for terminal DO 0 / CU S_src DO 0				
	Access level: 2	Calculated: -	Data type: U32 / Binary		
	Can be changed: U, T	Scaling: -	Data set: -		
	Units group: -	Unit selection: -			
	Min -	Max -	Factory setting 52.3		
Description:	Sets the signal source for terminal DO 0 (NO: T. 19 / NC: T. 18).				
Notice:	The parameter may be protected as a result of p0922 or p2079 and cannot be changed.				
Note:	DO: Digital Output T: Terminal Relay output: NO = normally open, NC = normally closed				
p0731	BI: CU signal source for terminal DO 1 / CU S_src DO 1				
	Access level: 2	Calculated: -	Data type: U32 / Binary		
	Can be changed: U, T	Scaling: -	Data set: -		
	Units group: -	Unit selection: -			
	Min -	Max -	Factory setting 52.7		
Description:	Sets the signal source for terminal DO 1 (NO: T. 21).				
Notice:	The parameter may be protected as a result of p0922 or p2079 and cannot be changed.				
Note:	DO: Digital Output T: Terminal Relay output: NO = normally open, NC = normally closed				
r0747	CU, digital outputs status / CU DO status				
	Access level: 3	Calculated: -	Data type: Unsigned32		
	Can be changed: -	Scaling: -	Data set: -		
	Units group: -	Unit selection: -			
	Min -	Max -	Factory setting -		
Description:	Displays the status of digital outputs.				
Bit field:	Bit	Signal name	1 signal	0 signal	FP
	00	DO 0 (NO: T. 19 / NC: T. 18)	High	Low	-
	01	DO 1 (NO: T. 21)	High	Low	-
Note:	DO: Digital Output T: Terminal Relay output: NO = normally open, NC = normally closed Inversion using p0748 has been taken into account.				

p0748	CU, invert digital outputs / CU DO inv				
	Access level: 3	Calculated: -	Data type: Unsigned32		
	Can be changed: U, T	Scaling: -	Data set: -		
	Units group: -	Unit selection: -			
	Min	Max	Factory setting		
	-	-	0000 bin		
Description:	Setting to invert the signals at the digital outputs.				
Bit field:	Bit	Signal name	1 signal	0 signal	FP
	00	DO 0 (NO: T. 19 / NC: T. 18)	Inverted	Not inverted	-
	01	DO 1 (NO: T. 21)	Inverted	Not inverted	-
Note:	DO: Digital Output T: Terminal Relay output: NO = normally open, NC = normally closed				
r0751.0...9	BO: CU analog inputs status word / CU AI status word				
	Access level: 3	Calculated: -	Data type: Unsigned16		
	Can be changed: -	Scaling: -	Data set: -		
	Units group: -	Unit selection: -			
	Min	Max	Factory setting		
	-	-	-		
Description:	Displays the status of analog inputs.				
Bit field:	Bit	Signal name	1 signal	0 signal	FP
	00	Analog input AI0 wire breakage	Yes	No	-
	01	Analog input AI1 wire breakage	Yes	No	-
	08	Analog input AI0 no wire breakage	Yes	No	-
	09	Analog input AI1 no wire breakage	Yes	No	-
Note:	AI: Analog Input				
r0752[0...1]	CO: CU analog inputs input voltage/current actual / CU AI U/I_inp act				
	Access level: 2	Calculated: -	Data type: FloatingPoint32		
	Can be changed: -	Scaling: -	Data set: -		
	Units group: -	Unit selection: -			
	Min	Max	Factory setting		
	-	-	-		
Description:	Displays the actual input voltage in V when set as voltage input. Displays the actual input current in mA when set as current input and with the load resistor switched in.				
Index:	[0] = AI0 (T. 3/4) [1] = AI1 (T. 10/11)				
Dependency:	The type of analog input AIx (voltage or current input) is set using p0756. Refer to: p0756				
Note:	AI: Analog Input T: Terminal				

p0753[0...1]	CU analog inputs smoothing time constant / CU AI T_smooth		
	Access level: 4	Calculated: -	Data type: FloatingPoint32
	Can be changed: U, T	Scaling: -	Data set: -
	Units group: -	Unit selection: -	
	Min 0.0 [ms]	Max 1000.0 [ms]	Factory setting 0.0 [ms]
Description:	Sets the smoothing time constant of the 1st-order low pass filter for the analog inputs.		
Index:	[0] = AI0 (T. 3/4) [1] = AI1 (T. 10/11)		
Note:	AI: Analog Input T: Terminal		
r0755[0...1]	CO: CU analog inputs actual value in percent / CU AI value in %		
	Access level: 2	Calculated: -	Data type: FloatingPoint32
	Can be changed: -	Scaling: PERCENT	Data set: -
	Units group: -	Unit selection: -	
	Min - [%]	Max - [%]	Factory setting - [%]
Description:	Displays the currently referred input value of the analog inputs. When interconnected, the signals are referred to the reference quantities p200x and p205x.		
Index:	[0] = AI0 (T. 3/4) [1] = AI1 (T. 10/11)		
Note:	AI: Analog Input T: Terminal		
p0756[0...1]	CU analog inputs type / CU AI type		
	Access level: 2	Calculated: -	Data type: Integer16
	Can be changed: U, T	Scaling: -	Data set: -
	Units group: -	Unit selection: -	
	Min 0	Max 8	Factory setting [0] 4 [1] 4
Description:	Sets the type of analog inputs. p0756[0...1] = 0, 1, 4 corresponds to a voltage input (r0752, p0757, p0759 are displayed in V). p0756[0...1] = 2, 3 corresponds to a current input (r0752, p0757, p0759 are displayed in mA). In addition, the associated DIP switch must be set. For the voltage input, DIP switch AI0/1 must be set to "U". For the current input, DIP switch AI0/1 or AI2 must be set to "I".		
Value:	0: Unipolar voltage input (0 V ... +10 V) 1: Unipolar voltage input monitored (+2 V ... +10 V) 2: Unipolar current input (0 mA ... +20 mA) 3: Unipolar current input monitored (+4 mA to +20 mA) 4: Bipolar voltage input (-10 V ... +10 V) 8: No sensor connected		
Index:	[0] = AI0 (T. 3/4) [1] = AI1 (T. 10/11)		
Warning:	The maximum voltage difference between analog input terminals AI+, AI-, and the ground must not exceed 35 V. If the system is operated when the load resistor is switched on (DIP switch set to "I"), the voltage between differential inputs AI+ and AI- must not exceed 10 V or the injected 80 mA current otherwise the input will be damaged.		
			
Note:	When changing p0756, the parameters of the scaling characteristic (p0757, p0758, p0759, p0760) are overwritten with the following default values: For p0756 = 0, 1, 4, p0757 is set to 0.0 V, p0758 = 0.0 %, p0759 = 10.0 V and p0760 = 100.0 %. For p0756 = 2, p0757 is set to 0.0 mA, p0758 = 0.0 %, p0759 = 20.0 mA and p0760 = 100.0 %. For p0756 = 3, p0757 is set to 4.0 mA, p0758 = 0.0 %, p0759 = 20.0 mA and p0760 = 100.0 %.		

p0757[0...1]	CU analog inputs characteristic value x1 / CU AI char x1		
	Access level: 2	Calculated: -	Data type: FloatingPoint32
	Can be changed: U, T	Scaling: -	Data set: -
	Units group: -	Unit selection: -	
	Min -50.000	Max 160.000	Factory setting 0.000

Description: Sets the scaling characteristic for the analog inputs.
The scaling characteristic for the analog inputs is defined using 2 points.
This parameter specifies the x coordinate (V, mA) of the 1st value pair of the characteristic.

Index: [0] = AI0 (T. 3/4)
[1] = AI1 (T. 10/11)

Note: The parameters for the characteristic do not have a limiting effect.

p0758[0...1]	CU analog inputs characteristic value y1 / CU AI char y1		
	Access level: 2	Calculated: -	Data type: FloatingPoint32
	Can be changed: U, T	Scaling: -	Data set: -
	Units group: -	Unit selection: -	
	Min -1000.00 [%]	Max 1000.00 [%]	Factory setting 0.00 [%]

Description: Sets the scaling characteristic for the analog inputs.
The scaling characteristic for the analog inputs is defined using 2 points.
This parameter specifies the y coordinate (percentage) of the 1st value pair of the characteristic.

Index: [0] = AI0 (T. 3/4)
[1] = AI1 (T. 10/11)

Note: The parameters for the characteristic do not have a limiting effect.

p0759[0...1]	CU analog inputs characteristic value x2 / CU AI char x2		
	Access level: 2	Calculated: -	Data type: FloatingPoint32
	Can be changed: U, T	Scaling: -	Data set: -
	Units group: -	Unit selection: -	
	Min -50.000	Max 160.000	Factory setting 10.000

Description: Sets the scaling characteristic for the analog inputs.
The scaling characteristic for the analog inputs is defined using 2 points.
This parameter specifies the x coordinate (V, mA) of the 2nd value pair of the characteristic.

Index: [0] = AI0 (T. 3/4)
[1] = AI1 (T. 10/11)

Note: The parameters for the characteristic do not have a limiting effect.

p0760[0...1]	CU analog inputs characteristic value y2 / CU AI char y2		
	Access level: 2	Calculated: -	Data type: FloatingPoint32
	Can be changed: U, T	Scaling: -	Data set: -
	Units group: -	Unit selection: -	
	Min -1000.00 [%]	Max 1000.00 [%]	Factory setting 100.00 [%]

Description: Sets the scaling characteristic for the analog inputs.
The scaling characteristic for the analog inputs is defined using 2 points.
This parameter specifies the y coordinate (percentage) of the 2nd value pair of the characteristic.

Index: [0] = AI0 (T. 3/4)
[1] = AI1 (T. 10/11)

Note: The parameters for the characteristic do not have a limiting effect.

p0761[0...1]	CU analog inputs wire breakage monitoring response threshold / CU WireBrkThresh		
	Access level: 2	Calculated: -	Data type: FloatingPoint32
	Can be changed: U, T	Scaling: -	Data set: -
	Units group: -	Unit selection: -	
	Min 0.00	Max 20.00	Factory setting 2.00
Description:	Sets the response threshold for the wire breakage monitoring of the analog inputs. The unit for the parameter value depends on the set analog input type.		
Index:	[0] = AI0 (T. 3/4) [1] = AI1 (T. 10/11)		
Dependency:	For the following analog input type, the wire breakage monitoring is active: p0756[0...1] = 1 (unipolar voltage input monitored (+2 V ... +10 V)), unit [V] p0756[0...1] = 3 (unipolar current input monitored (+4 mA ... +20 mA)), unit [mA]		
Note:	Refer to: p0756 AI: Analog Input When p0761 = 0, wire breakage monitoring is not carried out.		
p0771[0...1]	CI: CU analog outputs signal source / CU AO S_src		
	Access level: 2	Calculated: -	Data type: U32 / FloatingPoint32
	Can be changed: U, T	Scaling: PERCENT	Data set: -
	Units group: -	Unit selection: -	
	Min -	Max -	Factory setting [0] 21[0] [1] 27[0]
Description:	Sets the signal source for the analog outputs.		
Index:	[0] = AO0 (T 12/13) [1] = AO1 (T 26/27)		
Note:	AO: Analog Output T: Terminal		
r0772[0...1]	CU analog outputs, output value currently referred / CU AO outp_val		
	Access level: 3	Calculated: -	Data type: FloatingPoint32
	Can be changed: -	Scaling: -	Data set: -
	Units group: -	Unit selection: -	
	Min - [%]	Max - [%]	Factory setting - [%]
Description:	Displays the actual referred output value of the analog outputs.		
Index:	[0] = AO0 (T 12/13) [1] = AO1 (T 26/27)		
Note:	AO: Analog Output T: Terminal		
r0774[0...1]	CU analog outputs output voltage/current actual / CU AO U/I_outp		
	Access level: 2	Calculated: -	Data type: FloatingPoint32
	Can be changed: -	Scaling: p2001	Data set: -
	Units group: -	Unit selection: -	
	Min -	Max -	Factory setting -
Description:	Displays the actual output voltage or output current at the analog outputs.		
Index:	[0] = AO0 (T 12/13) [1] = AO1 (T 26/27)		
Dependency:	Refer to: p0776		
Note:	AO: Analog Output T: Terminal		

p0775[0...1]	CU analog outputs activate absolute value generation / CU AO absVal act		
	Access level: 2	Calculated: -	Data type: Integer16
	Can be changed: T	Scaling: -	Data set: -
	Units group: -	Unit selection: -	
	Min 0	Max 1	Factory setting 0
Description:	Activates the absolute value generation for the analog outputs.		
Value:	0: No absolute value generation 1: Absolute value generation switched in		
Index:	[0] = AO0 (T 12/13) [1] = AO1 (T 26/27)		
Note:	AO: Analog Output T: Terminal		
p0776[0...1]	CU analog outputs type / CU AO type		
	Access level: 2	Calculated: -	Data type: Integer16
	Can be changed: U, T	Scaling: -	Data set: -
	Units group: -	Unit selection: -	
	Min 0	Max 2	Factory setting 0
Description:	Sets the analog output type. p0776[x] = 1 corresponds to a voltage output (p0774, p0778, p0780 are displayed in V). p0776[x] = 0, 2 corresponds to a current output (p0774, p0778, p0780 are displayed in mA).		
Value:	0: Current output (0 mA ... +20 mA) 1: Voltage output (0 V ... +10 V) 2: Current output (+4 mA ... +20 mA)		
Index:	[0] = AO0 (T 12/13) [1] = AO1 (T 26/27)		
Note:	When changing p0776, the parameters of the scaling characteristic (p0777, p0778, p0779, p0780) are overwritten with the following default values: For p0776 = 0, p0777 is set to 0.0 %, p0778 = 0.0 mA, p0779 = 100.0 % and p0780 to 20.0 mA. For p0776 = 1, p0777 is set to 0.0 %, p0778 = 0.0 V, p0779 = 100.0 % and p0780 to 10.0 V. For p0776 = 2, p0777 is set to 0.0 %, p0778 = 4.0 mA, p0779 = 100.0 % and p0780 to 20.0 mA.		
p0777[0...1]	CU analog outputs characteristic value x1 / CU AO char x1		
	Access level: 2	Calculated: -	Data type: FloatingPoint32
	Can be changed: U, T	Scaling: -	Data set: -
	Units group: -	Unit selection: -	
	Min -1000.00 [%]	Max 1000.00 [%]	Factory setting 0.00 [%]
Description:	Sets the scaling characteristic for the analog outputs. The scaling characteristic for the analog outputs is defined using 2 points. This parameter specifies the x coordinate (percentage) of the 1st value pair of the characteristic.		
Index:	[0] = AO0 (T 12/13) [1] = AO1 (T 26/27)		
Dependency:	Refer to: p0776		
Notice:	This parameter is automatically overwritten when the analog output type is changed (p0776).		
Note:	This parameter is automatically overwritten if p0776 (type of analog output) is changed. The parameters for the characteristic do not have a limiting effect.		

p0778[0...1]	CU analog outputs characteristic value y1 / CU char y1		
	Access level: 2	Calculated: -	Data type: FloatingPoint32
	Can be changed: U, T	Scaling: -	Data set: -
	Units group: -	Unit selection: -	
	Min -20.000 [V]	Max 20.000 [V]	Factory setting 0.000 [V]
Description:	Sets the scaling characteristic for the analog outputs. The scaling characteristic for the analog outputs is defined using 2 points. This parameter specifies the y coordinate (output voltage in V or output current in mA) of the 1st value pair of the characteristic.		
Index:	[0] = AO0 (T 12/13) [1] = AO1 (T 26/27)		
Dependency:	The unit of this parameter (V or mA) depends on the analog input type. Refer to: p0776		
Notice:	This parameter is automatically overwritten when the analog output type is changed (p0776).		
Note:	This parameter is automatically overwritten if p0776 (type of analog output) is changed. The parameters for the characteristic do not have a limiting effect.		
p0779[0...1]	CU analog outputs characteristic value x2 / CU char x2		
	Access level: 2	Calculated: -	Data type: FloatingPoint32
	Can be changed: U, T	Scaling: -	Data set: -
	Units group: -	Unit selection: -	
	Min -1000.00 [%]	Max 1000.00 [%]	Factory setting 100.00 [%]
Description:	Sets the scaling characteristic for the analog outputs. The scaling characteristic for the analog outputs is defined using 2 points. This parameter specifies the x coordinate (percentage) of the 2nd value pair of the characteristic.		
Index:	[0] = AO0 (T 12/13) [1] = AO1 (T 26/27)		
Dependency:	Refer to: p0776		
Notice:	This parameter is automatically overwritten when the analog output type is changed (p0776).		
Note:	This parameter is automatically overwritten if p0776 (type of analog output) is changed. The parameters for the characteristic do not have a limiting effect.		
p0780[0...1]	CU analog outputs characteristic value y2 / CU char y2		
	Access level: 2	Calculated: -	Data type: FloatingPoint32
	Can be changed: U, T	Scaling: -	Data set: -
	Units group: -	Unit selection: -	
	Min -20.000 [V]	Max 20.000 [V]	Factory setting 20.000 [V]
Description:	Sets the scaling characteristic for the analog outputs. The scaling characteristic for the analog outputs is defined using 2 points. This parameter specifies the y coordinate (output voltage in V or output current in mA) of the 2nd value pair of the characteristic.		
Index:	[0] = AO0 (T 12/13) [1] = AO1 (T 26/27)		
Dependency:	The unit of this parameter (V or mA) depends on the analog input type. Refer to: p0776		
Notice:	This parameter is automatically overwritten when the analog output type is changed (p0776).		
Note:	This parameter is automatically overwritten if p0776 (type of analog output) is changed. The parameters for the characteristic do not have a limiting effect.		

p0782[0...1]	BI: CU analog outputs invert signal source / CU AO inv S_src		
	Access level: 3	Calculated: -	Data type: U32 / Binary
	Can be changed: U, T	Scaling: -	Data set: -
	Units group: -	Unit selection: -	
	Min	Max	Factory setting
	-	-	0
Description:	Sets the signal source to invert the analog output signals.		
Index:	[0] = AO0 (T 12/13) [1] = AO1 (T 26/27)		
Note:	AO: Analog Output T: Terminal		

r0785.0...1	BO: CU analog outputs status word / CU AO ZSW				
	Access level: 3	Calculated: -	Data type: Unsigned16		
	Can be changed: -	Scaling: -	Data set: -		
	Units group: -	Unit selection: -			
	Min	Max	Factory setting		
	-	-	-		
Description:	Displays the status of analog outputs.				
Bit field:	Bit	Signal name	1 signal	0 signal	FP
	00	AO 0 negative	Yes	No	-
	01	AO 1 negative	Yes	No	-
Note:	AO: Analog Output				

p0795	CU digital inputs simulation mode / CU DI simulation				
	Access level: 3	Calculated: -	Data type: Unsigned32		
	Can be changed: U, T	Scaling: -	Data set: -		
	Units group: -	Unit selection: -			
	Min	Max	Factory setting		
	-	-	0000 0000 0000 0000 bin		
Description:	Sets the simulation mode for digital inputs.				
Bit field:	Bit	Signal name	1 signal	0 signal	FP
	00	DI 0 (T. 5)	Simulation	Terminal eval.	-
	01	DI 1 (T. 6)	Simulation	Terminal eval.	-
	02	DI 2 (T. 7)	Simulation	Terminal eval.	-
	03	DI 3 (T. 8)	Simulation	Terminal eval.	-
	04	DI 4 (T. 16)	Simulation	Terminal eval.	-
	05	DI 5 (T. 17)	Simulation	Terminal eval.	-
	11	DI 11 (T. 3, 4) AI 0	Simulation	Terminal eval.	-
	12	DI 12 (T. 10, 11) AI 1	Simulation	Terminal eval.	-
Dependency:	The setpoint for the input signals is specified using p0796. Refer to: p0796				
Note:	This parameter is not saved when data is backed up (p0971). DI: Digital Input T: Terminal				

p0796 CU digital inputs simulation mode setpoint / CU DI simul setp					
	Access level: 3		Calculated: -	Data type: Unsigned32	
	Can be changed: U, T		Scaling: -	Data set: -	
	Units group: -		Unit selection: -		
	Min		Max	Factory setting	
	-		-	0000 0000 0000 0000 bin	
Description:	Sets the setpoint for the input signals in the digital input simulation mode.				
Bit field:	Bit	Signal name	1 signal	0 signal	FP
	00	DI 0 (T. 5)	High	Low	-
	01	DI 1 (T. 6)	High	Low	-
	02	DI 2 (T. 7)	High	Low	-
	03	DI 3 (T. 8)	High	Low	-
	04	DI 4 (T. 16)	High	Low	-
	05	DI 5 (T. 17)	High	Low	-
	11	DI 11 (T. 3, 4) AI 0	High	Low	-
	12	DI 12 (T. 10, 11) AI 1	High	Low	-
Dependency:	The simulation of a digital input is selected using p0795. Refer to: p0795				
Notice:	To the terminal designation: The first designation is valid for CU320, the second for CU310.				
Note:	This parameter is not saved when data is backed up (p0971). AI: Analog Input DI: Digital Input T: Terminal				

p0797[0...1] CU analog inputs simulation mode / CU AI sim_mode				
	Access level: 3		Calculated: -	Data type: Integer16
	Can be changed: U, T		Scaling: -	Data set: -
	Units group: -		Unit selection: -	
	Min		Max	Factory setting
	0		1	0
Description:	Sets the simulation mode for the analog inputs.			
Value:	0: No simulation mode for analog input x 1: Simulation mode for analog input x			
Index:	[0] = AI0 (T. 3/4) [1] = AI1 (T. 10/11)			
Dependency:	The setpoint for the input voltage is specified via p0798. Refer to: p0798			
Note:	This parameter is not saved when data is backed up (p0971). AI: Analog Input			

p0798[0...1]	CU analog inputs simulation mode setpoint / CU AI sim setp		
	Access level: 3	Calculated: -	Data type: FloatingPoint32
	Can be changed: U, T	Scaling: -	Data set: -
	Units group: -	Unit selection: -	
	Min -50.000	Max 2000.000	Factory setting 0.000
Description:	Sets the setpoint for the input value in the simulation mode of the analog inputs.		
Index:	[0] = AI0 (T. 3/4) [1] = AI1 (T. 10/11)		
Dependency:	The simulation of an analog input is selected using p0797. If AI x is parameterized as a voltage input (p0756), the setpoint is a voltage in V. If AI x is parameterized as a current input (p0756), the setpoint is a current in mA. Refer to: p0756, p0797		
Note:	This parameter is not saved when data is backed up (p0971). AI: Analog Input		
p0802	Data transfer: memory card as source/target / mem_card src/targ		
	Access level: 3	Calculated: -	Data type: Integer16
	Can be changed: T	Scaling: -	Data set: -
	Units group: -	Unit selection: -	
	Min 0	Max 100	Factory setting 0
Description:	Sets the number for data transfer of a parameter backup from/to memory card. Transfer from memory card to device memory (p0804 = 1): - Sets the source of parameter backup (e.g. p0802 = 48 --> PS048xxx.ACX is the source). Transfer from non-volatile device memory to memory card (p0804 = 2): - Sets the target of parameter backup (e.g. p0802 = 23 --> PS023xxx.ACX is the target).		
Dependency:	Refer to: p0803, p0804		
Notice:	If the data between the volatile and non-volatile device memories differ, then it may be necessary to save the data on the memory card in a non-volatile fashion prior to the transfer (e.g. p0971 = 1).		
p0803	Data transfer: device memory as source/target / Dev_mem src/targ		
	Access level: 3	Calculated: -	Data type: Integer16
	Can be changed: T	Scaling: -	Data set: -
	Units group: -	Unit selection: -	
	Min 0	Max 12	Factory setting 0
Description:	Sets the number for data transfer of a parameter backup from/to device memory. Transfer from memory card to device memory (p0804 = 1): - Sets the target of the parameter backup (e.g. p0803 = 10 --> PS010xxx.ACX is the target). Transfer from non-volatile device memory to memory card (p0804 = 2): - Sets the source of the parameter backup (e.g. p0803 = 11 --> PS011xxx.ACX is the source).		
Value:	0: Source/target standard 10: Source/target with setting 10 11: Source/target with setting 11 12: Source/target with setting 12		
Dependency:	Refer to: p0802, p0804		
Notice:	If the data between the volatile and non-volatile device memories differ, then it may be necessary to save the data on the memory card in a non-volatile fashion prior to the transfer (e.g. p0971 = 1).		

p0804		Data transfer start / Data transf start	
G120C CAN	Access level: 3	Calculated: -	Data type: Integer16
G120C USS/MB	Can be changed: T	Scaling: -	Data set: -
	Units group: -	Unit selection: -	
	Min	Max	Factory setting
	0	1100	0
Description:	Sets the transfer direction and start of data transfer between the memory card and non-volatile device memory.		
	Example 1:		
	The parameter backup is to be transferred from the device memory to the memory card with setting 0. The parameter backup is to be stored on the memory card with setting 22.		
	p0802 = 22 (parameter backup stored on memory card as target with setting 22)		
	p0803 = 0 (parameter backup stored in device memory as source with setting 0)		
	p0804 = 2 (start data transfer from device memory to memory card)		
	--> PS000xxx.ACX is transferred from device memory to memory card and stored as PS022xxx.ACX.		
	Example 2:		
	The parameter backup is to be transferred from the memory card to the device memory with setting 22. The parameter backup is to be stored in the device memory as setting 0.		
	p0802 = 22 (parameter backup stored on memory card as source with setting 22)		
	p0803 = 0 (parameter backup stored in device memory as target with setting 0)		
	p0804 = 1 (start data transfer from memory card to device memory)		
	--> PS022xxx.ACX is transferred from memory card to device memory and stored as PS000xxx.ACX.		
	Example 3 (not supported for PROFIBUS devices):		
	The communication configuration is to be transferred from the device memory to the memory card.		
	p0802 = (not relevant)		
	p0803 = (not relevant)		
	p0804 = 12 (start transferring the device master data (GSD) to the memory card)		
	--> The files that are relevant for the communication configuration are transferred from the device memory to the memory card and stored in the /SIEMENS/SINAMICS/DATA/CFG directory.		
Value:	0: Inactive		
	1: Memory card to device memory		
	2: Device memory to memory card		
	1001: File on memory card cannot be opened		
	1002: File in device memory cannot be opened		
	1003: Memory card not found		
	1100: File cannot be transferred		
Dependency:	Refer to: p0802, p0803		
Notice:	The memory card must not be removed while data is being transferred.		
	For p0014 = 1, the following applies:		
	After the value has been modified, no further parameter modifications can be made and the status is shown in r3996. Modifications can be made again when r3996 = 0.		
Note:	If a parameter backup with setting 0 is detected on the memory card when the Control Unit is switched on (PS000xxx.ACX), this is transferred automatically to the device memory.		
	When the memory card is inserted, a parameter backup with setting 0 (PS000xxx.ACX) is automatically written to the memory card when the parameters are saved in a non-volatile memory (e.g. by means of "Copy RAM to ROM").		
	Once the data has been successfully transferred, this parameter is automatically reset to 0. If an error occurs, the parameter is set to a value > 1000. Possible fault causes:		
	p0804 = 1001:		
	The parameter backup set in p0802 as the source on the memory card does not exist or there is not sufficient memory space available on the memory card.		
	p0804 = 1002:		
	The parameter backup set in p0803 as the source in the device memory does not exist or there is not sufficient memory space available in the device memory.		
	p0804 = 1003:		
	No memory card has been inserted.		


p0804		Data transfer start / Data transf start	
G120C DP	Access level: 3	Calculated: -	Data type: Integer16
	Can be changed: T	Scaling: -	Data set: -
	Units group: -	Unit selection: -	
	Min	Max	Factory setting
	0	1100	0
Description:	<p>Sets the transfer direction and start of data transfer between the memory card and non-volatile device memory.</p> <p>Example 1:</p> <p>The parameter backup is to be transferred from the device memory to the memory card with setting 0. The parameter backup is to be stored on the memory card with setting 22.</p> <p>p0802 = 22 (parameter backup stored on memory card as target with setting 22)</p> <p>p0803 = 0 (parameter backup stored in device memory as source with setting 0)</p> <p>p0804 = 2 (start data transfer from device memory to memory card)</p> <p>--> PS000xxx.ACX is transferred from device memory to memory card and stored as PS022xxx.ACX.</p> <p>Example 2:</p> <p>The parameter backup is to be transferred from the memory card to the device memory with setting 22. The parameter backup is to be stored in the device memory as setting 0.</p> <p>p0802 = 22 (parameter backup stored on memory card as source with setting 22)</p> <p>p0803 = 0 (parameter backup stored in device memory as target with setting 0)</p> <p>p0804 = 1 (start data transfer from memory card to device memory)</p> <p>--> PS022xxx.ACX is transferred from memory card to device memory and stored as PS000xxx.ACX.</p> <p>Example 3 (not supported for PROFIBUS devices):</p> <p>The communication configuration is to be transferred from the device memory to the memory card.</p> <p>p0802 = (not relevant)</p> <p>p0803 = (not relevant)</p> <p>p0804 = 12 (start transferring the device master data (GSD) to the memory card)</p> <p>--> The files that are relevant for the communication configuration are transferred from the device memory to the memory card and stored in the /SIEMENS/SINAMICS/DATA/CFG directory.</p>		
Value:	<p>0: Inactive</p> <p>1: Memory card to device memory</p> <p>2: Device memory to memory card</p> <p>12: Device memory (communication configuration) to memory card</p> <p>1001: File on memory card cannot be opened</p> <p>1002: File in device memory cannot be opened</p> <p>1003: Memory card not found</p> <p>1100: File cannot be transferred</p>		
Dependency:	Refer to: p0802, p0803		
Notice:	<p>The memory card must not be removed while data is being transferred.</p> <p>For p0014 = 1, the following applies:</p> <p>After the value has been modified, no further parameter modifications can be made and the status is shown in r3996. Modifications can be made again when r3996 = 0.</p>		
Note:	<p>If a parameter backup with setting 0 is detected on the memory card when the Control Unit is switched on (PS000xxx.ACX), this is transferred automatically to the device memory.</p> <p>When the memory card is inserted, a parameter backup with setting 0 (PS000xxx.ACX) is automatically written to the memory card when the parameters are saved in a non-volatile memory (e.g. by means of "Copy RAM to ROM").</p> <p>Once the data has been successfully transferred, this parameter is automatically reset to 0. If an error occurs, the parameter is set to a value > 1000. Possible fault causes:</p> <p>p0804 = 1001:</p> <p>The parameter backup set in p0802 as the source on the memory card does not exist or there is not sufficient memory space available on the memory card.</p> <p>p0804 = 1002:</p> <p>The parameter backup set in p0803 as the source in the device memory does not exist or there is not sufficient memory space available in the device memory.</p> <p>p0804 = 1003:</p> <p>No memory card has been inserted.</p>		

p0806	BI: Inhibit master control / PcCtrl inhibit			
	Access level: 3	Calculated: -	Data type: U32 / Binary	
	Can be changed: T	Scaling: -	Data set: -	
	Units group: -	Unit selection: -		
	Min	Max	Factory setting	
	-	-	0	
Description:	Sets the signal source to block the master control.			
Dependency:	Refer to: r0807			
Note:	The commissioning software (drive control panel) uses the master control.			
r0807.0	BO: Master control active / PcCtrl active			
	Access level: 3	Calculated: -	Data type: Unsigned8	
	Can be changed: -	Scaling: -	Data set: -	
	Units group: -	Unit selection: -		
	Min	Max	Factory setting	
	-	-	-	
Description:	Displays what has the master control. The drive can be controlled via the BICO interconnection or from external (e.g. the commissioning software).			
Bit field:	Bit	Signal name	1 signal	0 signal
	00	Master control active	Yes	No
				FP
				5030, 6031
Dependency:	Refer to: p0806			
Notice:	The master control only influences control word 1 and speed setpoint 1. Other control words/setpoints can be transferred from another automation device.			
Note:	Bit 0 = 0: BICO interconnection active Bit 0 = 1: Master control for PC/OP The master control is used from the commissioning software (drive control panel) and from the Operator Panel (OP, LOCAL mode).			
p0809[0...2]	Copy Command Data Set CDS / Copy CDS			
	Access level: 2	Calculated: -	Data type: Unsigned8	
	Can be changed: T	Scaling: -	Data set: -	
	Units group: -	Unit selection: -		
	Min	Max	Factory setting	
	0	3	0	
Description:	Copies one Command Data Set (CDS) into another.			
Index:	[0] = Source Command Data Set [1] = Target Command Data Set [2] = Start copying procedure			
Dependency:	Refer to: r3996			
Notice:	When the command data sets are copied, short-term communication interruptions may occur.			
Note:	Procedure: 1. In Index 0, enter which command data set should be copied. 2. In Index 1, enter the command data set that is to be copied into. 3. Start copying: Set index 2 from 0 to 1. p0809[2] is automatically set to 0 when copying is completed.			

p0810	BI: Command data set selection CDS bit 0 / CDS select., bit 0		
G120C CAN	Access level: 2	Calculated: -	Data type: U32 / Binary
G120C USS/MB	Can be changed: T	Scaling: -	Data set: -
	Units group: -	Unit selection: -	
	Min	Max	Factory setting
	-	-	0
Description:	Sets the signal source to select the Command Data Set bit 0 (CDS bit 0).		
Dependency:	Refer to: r0050, r0836		
Notice:	The parameter may be protected as a result of p0922 or p2079 and cannot be changed.		
Note:	The Command Data Set selected using the binector inputs is displayed in r0836. The currently effective command data set is displayed in r0050. A Command Data Set can be copied using p0809.		

p0810	BI: Command data set selection CDS bit 0 / CDS select., bit 0		
G120C DP	Access level: 2	Calculated: -	Data type: U32 / Binary
	Can be changed: T	Scaling: -	Data set: -
	Units group: -	Unit selection: -	
	Min	Max	Factory setting
	-	-	722.3
Description:	Sets the signal source to select the Command Data Set bit 0 (CDS bit 0).		
Dependency:	Refer to: r0050, r0836		
Notice:	The parameter may be protected as a result of p0922 or p2079 and cannot be changed.		
Note:	The Command Data Set selected using the binector inputs is displayed in r0836. The currently effective command data set is displayed in r0050. A Command Data Set can be copied using p0809.		

r0835.2...8	CO/BO: Data set changeover status word / DDS_ZSW				
	Access level: 2	Calculated: -	Data type: Unsigned16		
	Can be changed: -	Scaling: -	Data set: -		
	Units group: -	Unit selection: -			
	Min	Max	Factory setting		
	-	-	-		
Description:	Displays the status word for the drive data set changeover.				
Bit field:	Bit	Signal name	1 signal	0 signal	FP
	02	Internal parameter calculation active	Yes	No	-
	04	Armature short circuit active	Yes	No	-
	05	Identification running	Yes	No	-
	07	Rotating measurement running	Yes	No	-
	08	Motor data identification running	Yes	No	-
Note:	Re bit 02: A data set changeover is delayed by the time required for the internal parameter calculation.				
	Re bit 04: A data set changeover is only carried out when the armature short circuit is not activated.				
	Re bit 05: A data set changeover is only carried out when pole position identification is not running.				
	Re bit 07: A data set changeover is only carried out when rotating measurement is not running.				
	Re bit 08: A data set changeover is only carried out when motor data identification is not running.				

r0836.0...1	CO/BO: Command Data Set CDS selected / CDS selected			
	Access level: 3	Calculated: -	Data type: Unsigned8	
	Can be changed: -	Scaling: -	Data set: -	
	Units group: -	Unit selection: -		
	Min	Max	Factory setting	
	-	-	-	
Description:	Displays the command data set (CDS) selected via the binector input.			
Bit field:	Bit	Signal name	1 signal	0 signal
	00	CDS select. bit 0	ON	OFF
	01	CDS select. bit 1	ON	OFF
Dependency:	Refer to: r0050, p0810			
Note:	Command data sets are selected via binector input p0810 and following. The currently effective command data set is displayed in r0050.			
p0840[0...n]	BI: ON / OFF (OFF1) / ON / OFF (OFF1)			
G120C CAN	Access level: 3	Calculated: -	Data type: U32 / Binary	
G120C USS/MB	Can be changed: T	Scaling: -	Data set: CDS, p0170	
	Units group: -	Unit selection: -		
	Min	Max	Factory setting	
	-	-	[0] 722.0 [1] 0	
Description:	Sets the signal source for the command "ON/OFF (OFF1)". For the PROFIdrive profile, this command corresponds to control word 1 bit 0 (STW1.0).			
Dependency:	Refer to: p1055, p1056			
Caution:	When "master control from PC" is activated, this binector input is ineffective.			
				
Notice:	For binector input p0840 = 0 signal, the motor can be moved, jogging using binector input p1055 or p1056. The command "ON/OFF (OFF1)" can be issued using binector input p0840 or p1055/p1056. For binector input p0840 = 0 signal, the switch-on inhibit is acknowledged. Only the signal source that originally powered up can also power down again. The parameter may be protected as a result of p0922 or p2079 and cannot be changed.			
Note:	For drives with closed-loop speed control (p1300 = 20), the following applies: - BI: p0840 = 0 signal: OFF1 (braking with the ramp-function generator, then pulse suppression and switch-on inhibit) - BI: p0840 = 0/1 signal: ON (pulses can be enabled)			

p0840[0...n]	BI: ON / OFF (OFF1) / ON / OFF (OFF1)		
G120C DP	Access level: 3	Calculated: -	Data type: U32 / Binary
	Can be changed: T	Scaling: -	Data set: CDS, p0170
	Units group: -	Unit selection: -	
	Min	Max	Factory setting
	-	-	[0] 2090.0 [1] 0

Description: Sets the signal source for the command "ON/OFF (OFF1)".
For the PROFIdrive profile, this command corresponds to control word 1 bit 0 (STW1.0).

Dependency: Refer to: p1055, p1056

Caution: When "master control from PC" is activated, this binector input is ineffective.



Notice: For binector input p0840 = 0 signal, the motor can be moved, jogging using binector input p1055 or p1056. The command "ON/OFF (OFF1)" can be issued using binector input p0840 or p1055/p1056. For binector input p0840 = 0 signal, the switch-on inhibit is acknowledged. Only the signal source that originally powered up can also power down again. The parameter may be protected as a result of p0922 or p2079 and cannot be changed.

Note: For drives with closed-loop speed control (p1300 = 20), the following applies:
- BI: p0840 = 0 signal: OFF1 (braking with the ramp-function generator, then pulse suppression and switch-on inhibit)
- BI: p0840 = 0/1 signal: ON (pulses can be enabled)

p0844[0...n]	BI: No coast-down / coast-down (OFF2) signal source 1 / OFF2 S_src 1		
G120C CAN	Access level: 3	Calculated: -	Data type: U32 / Binary
G120C USS/MB	Can be changed: T	Scaling: -	Data set: CDS, p0170
	Units group: -	Unit selection: -	
	Min	Max	Factory setting
	-	-	1

Description: Sets the first signal source for the command "No coast down/coast down (OFF2)".
The following signals are AND'ed:
- BI: p0844 "No coast-down / coast-down (OFF2) signal source 1"
- BI: p0845 "No coast-down / coast-down (OFF2) signal source 2"
For the PROFIdrive profile, the result of the AND logic operation corresponds to control word 1 bit 1 (STW1.1).
BI: p0844 = 0 signal or BI: p0845 = 0 signal
- OFF2 (immediate pulse suppression and switch on inhibit)
BI: p0844 = 1 signal and BI: p0845 = 1 signal
- No OFF2 (enable is possible)

Caution: When "master control from PC" is activated, this binector input is ineffective.



Notice: The parameter may be protected as a result of p0922 or p2079 and cannot be changed.

p0844[0...n]	BI: No coast-down / coast-down (OFF2) signal source 1 / OFF2 S_src 1		
G120C DP	Access level: 3	Calculated: -	Data type: U32 / Binary
	Can be changed: T	Scaling: -	Data set: CDS, p0170
	Units group: -	Unit selection: -	
	Min	Max	Factory setting
	-	-	[0] 2090.1 [1] 1

Description: Sets the first signal source for the command "No coast down/coast down (OFF2)".
The following signals are AND'ed:

- BI: p0844 "No coast-down / coast-down (OFF2) signal source 1"
- BI: p0845 "No coast-down / coast-down (OFF2) signal source 2"

For the PROFIdrive profile, the result of the AND logic operation corresponds to control word 1 bit 1 (STW1.1).
BI: p0844 = 0 signal or BI: p0845 = 0 signal

- OFF2 (immediate pulse suppression and switch on inhibit)

BI: p0844 = 1 signal and BI: p0845 = 1 signal

- No OFF2 (enable is possible)

Caution: When "master control from PC" is activated, this binector input is ineffective.



Notice: The parameter may be protected as a result of p0922 or p2079 and cannot be changed.

p0845[0...n]	BI: No coast-down / coast-down (OFF2) signal source 2 / OFF2 S_src 2		
	Access level: 3	Calculated: -	Data type: U32 / Binary
	Can be changed: T	Scaling: -	Data set: CDS, p0170
	Units group: -	Unit selection: -	
	Min	Max	Factory setting
	-	-	1

Description: Sets the second signal source for the command "No coast down/coast down (OFF2)".
The following signals are AND'ed:

- BI: p0844 "No coast-down / coast-down (OFF2) signal source 1"
- BI: p0845 "No coast-down / coast-down (OFF2) signal source 2"

For the PROFIdrive profile, the result of the AND logic operation corresponds to control word 1 bit 1 (STW1.1).
BI: p0844 = 0 signal or BI: p0845 = 0 signal

- OFF2 (immediate pulse suppression and switch on inhibit)

BI: p0844 = 1 signal and BI: p0845 = 1 signal

- No OFF2 (enable is possible)

Caution: When "master control from PC" is activated, this binector input is effective.



p0848[0...n]	BI: No Quick Stop / Quick Stop (OFF3) signal source 1 / OFF3 S_src 1		
G120C CAN	Access level: 3	Calculated: -	Data type: U32 / Binary
G120C USS/MB	Can be changed: T	Scaling: -	Data set: CDS, p0170
	Units group: -	Unit selection: -	
	Min	Max	Factory setting
	-	-	1

Description: Sets the first signal source for the command "No quick stop/quick stop (OFF3)".
The following signals are AND'ed:
- BI: p0848 "No quick stop / quick stop (OFF3) signal source 1"
- BI: p0849 "No quick stop / quick stop (OFF3) signal source 2"
For the PROFIdrive profile, the result of the AND logic operation corresponds to control word 1 bit 2 (STW1.2).
BI: p0848 = 0 signal or BI: p0849 = 0 signal
- OFF3 (braking along the OFF3 ramp (p1135), then pulse suppression and switch on inhibit)
BI: p0848 = 1 signal and BI: p0849 = 1 signal
- No OFF3 (enable is possible)

Caution: When "master control from PC" is activated, this binector input is ineffective.



Notice: The parameter may be protected as a result of p0922 or p2079 and cannot be changed.

p0848[0...n]	BI: No Quick Stop / Quick Stop (OFF3) signal source 1 / OFF3 S_src 1		
G120C DP	Access level: 3	Calculated: -	Data type: U32 / Binary
	Can be changed: T	Scaling: -	Data set: CDS, p0170
	Units group: -	Unit selection: -	
	Min	Max	Factory setting
	-	-	[0] 2090.2 [1] 1

Description: Sets the first signal source for the command "No quick stop/quick stop (OFF3)".
The following signals are AND'ed:
- BI: p0848 "No quick stop / quick stop (OFF3) signal source 1"
- BI: p0849 "No quick stop / quick stop (OFF3) signal source 2"
For the PROFIdrive profile, the result of the AND logic operation corresponds to control word 1 bit 2 (STW1.2).
BI: p0848 = 0 signal or BI: p0849 = 0 signal
- OFF3 (braking along the OFF3 ramp (p1135), then pulse suppression and switch on inhibit)
BI: p0848 = 1 signal and BI: p0849 = 1 signal
- No OFF3 (enable is possible)

Caution: When "master control from PC" is activated, this binector input is ineffective.



Notice: The parameter may be protected as a result of p0922 or p2079 and cannot be changed.

p0849[0...n]	BI: No Quick Stop / Quick Stop (OFF3) signal source 2 / OFF3 S_src 2		
	Access level: 3	Calculated: -	Data type: U32 / Binary
	Can be changed: T	Scaling: -	Data set: CDS, p0170
	Units group: -	Unit selection: -	
	Min	Max	Factory setting
	-	-	1

Description: Sets the second signal source for the command "No quick stop/quick stop (OFF3)".
The following signals are AND'ed:
- BI: p0848 "No quick stop / quick stop (OFF3) signal source 1"
- BI: p0849 "No quick stop / quick stop (OFF3) signal source 2"
For the PROFIdrive profile, the result of the AND logic operation corresponds to control word 1 bit 2 (STW1.2).
BI: p0848 = 0 signal or BI: p0849 = 0 signal
- OFF3 (braking along the OFF3 ramp (p1135), then pulse suppression and switch on inhibit)
BI: p0848 = 1 signal and BI: p0849 = 1 signal
- No OFF3 (enable is possible)

Caution: When "master control from PC" is activated, this binector input is effective.



p0852[0...n]	BI: Enable operation/inhibit operation / Operation enable		
G120C CAN	Access level: 3	Calculated: -	Data type: U32 / Binary
G120C USS/MB	Can be changed: T	Scaling: -	Data set: CDS, p0170
	Units group: -	Unit selection: -	
	Min	Max	Factory setting
	-	-	1

Description: Sets the signal source for the command "enable operation/inhibit operation".
For the PROFIdrive profile, this command corresponds to control word 1 bit 3 (STW1.3).
BI: p0852 = 0 signal
Inhibit operation (suppress pulses).
BI: p0852 = 1 signal
Enable operation (pulses can be enabled).

Caution: When "master control from PC" is activated, this binector input is ineffective.



Notice: The parameter may be protected as a result of p0922 or p2079 and cannot be changed.

p0852[0...n]	BI: Enable operation/inhibit operation / Operation enable		
G120C DP	Access level: 3	Calculated: -	Data type: U32 / Binary
	Can be changed: T	Scaling: -	Data set: CDS, p0170
	Units group: -	Unit selection: -	
	Min	Max	Factory setting
	-	-	[0] 2090.3 [1] 1

Description: Sets the signal source for the command "enable operation/inhibit operation".
For the PROFIdrive profile, this command corresponds to control word 1 bit 3 (STW1.3).
BI: p0852 = 0 signal
Inhibit operation (suppress pulses).
BI: p0852 = 1 signal
Enable operation (pulses can be enabled).

Caution: When "master control from PC" is activated, this binector input is ineffective.



Notice: The parameter may be protected as a result of p0922 or p2079 and cannot be changed.

p0854[0...n]			
BI: Control by PLC/no control by PLC / Master ctrl by PLC			
G120C CAN	Access level: 3	Calculated: -	Data type: U32 / Binary
G120C USS/MB	Can be changed: T	Scaling: -	Data set: CDS, p0170
	Units group: -	Unit selection: -	
	Min	Max	Factory setting
	-	-	1

Description: Sets the signal source for the command "control by PLC/no control by PLC".
For the PROFIdrive profile, this command corresponds to control word 1 bit 10 (STW1.10).
BI: p0854 = 0 signal
No control by PLC
BI: p0852 = 1 signal
Control by PLC.

Caution: When "master control from PC" is activated, this binector input is ineffective.



Notice: The parameter may be protected as a result of p0922 or p2079 and cannot be changed.

Note: This bit is used to initiate a response for the drives when the control fails (F07220). If there is no control available, then binector input p0854 should be set to 1.

If a control is available, then STW1.10 must be set to 1 (PZD1) so that the received data is updated. This applies regardless of the setting in p0854 and even in the case of free telegram configuration (p0922 = 999).

p0854[0...n]			
BI: Control by PLC/no control by PLC / Master ctrl by PLC			
G120C DP	Access level: 3	Calculated: -	Data type: U32 / Binary
	Can be changed: T	Scaling: -	Data set: CDS, p0170
	Units group: -	Unit selection: -	
	Min	Max	Factory setting
	-	-	[0] 2090.10 [1] 1

Description: Sets the signal source for the command "control by PLC/no control by PLC".
For the PROFIdrive profile, this command corresponds to control word 1 bit 10 (STW1.10).
BI: p0854 = 0 signal
No control by PLC
BI: p0852 = 1 signal
Control by PLC.

Caution: When "master control from PC" is activated, this binector input is ineffective.



Notice: The parameter may be protected as a result of p0922 or p2079 and cannot be changed.

Note: This bit is used to initiate a response for the drives when the control fails (F07220). If there is no control available, then binector input p0854 should be set to 1.

If a control is available, then STW1.10 must be set to 1 (PZD1) so that the received data is updated. This applies regardless of the setting in p0854 and even in the case of free telegram configuration (p0922 = 999).

p0855[0...n]	BI: Unconditionally release holding brake / Uncond open brake		
	Access level: 3	Calculated: -	Data type: U32 / Binary
	Can be changed: T	Scaling: -	Data set: CDS, p0170
	Units group: -	Unit selection: -	
	Min	Max	Factory setting
	-	-	0
Description:	Sets the signal source for the command "unconditionally open holding brake".		
Dependency:	Refer to: p0858		
Notice:	The parameter may be protected as a result of p0922 or p2079 and cannot be changed.		
Note:	The signal via BI: p0858 (unconditionally close holding brake) has a higher priority than via BI: p0855 (unconditionally open holding brake).		
p0856[0...n]	BI: Speed controller enable / n_ctrl enable		
	Access level: 3	Calculated: -	Data type: U32 / Binary
	Can be changed: T	Scaling: -	Data set: CDS, p0170
	Units group: -	Unit selection: -	
	Min	Max	Factory setting
	-	-	1
Description:	Sets the signal source for the command "enable speed controller" (r0898.12). 0 signal: Set the I component and speed controller output to zero. 1 signal: Enable speed controller.		
Dependency:	Refer to: r0898		
Note:	If "enable speed controller" is withdrawn, then an existing brake will be closed. If "speed controller enable" is withdrawn, the pulses are not suppressed.		
p0858[0...n]	BI: Unconditionally close holding brake / Uncond close brake		
	Access level: 3	Calculated: -	Data type: U32 / Binary
	Can be changed: T	Scaling: -	Data set: CDS, p0170
	Units group: -	Unit selection: -	
	Min	Max	Factory setting
	-	-	0
Description:	Sets the signal source for the command "unconditionally close holding brake".		
Dependency:	Refer to: p0855		
Note:	The signal via BI: p0858 (unconditionally close holding brake) has a higher priority than via BI: p0855 (unconditionally open holding brake). For a 1 signal via BI: p0858, the command "unconditionally close the holding brake" is executed and internally a zero setpoint is entered.		

r0898.0...14		CO/BO: Control word sequence control / STW seq_ctrl			
Access level: 2		Calculated: -		Data type: Unsigned16	
Can be changed: -		Scaling: -		Data set: -	
Units group: -		Unit selection: -			
Min		Max		Factory setting	
-		-		-	
Description:	Displays the control word of the sequence control.				
Bit field:	Bit	Signal name	1 signal	0 signal	FP
	00	ON/OFF1	Yes	No	-
	01	OC / OFF2	Yes	No	-
	02	OC / OFF3	Yes	No	-
	03	Operation enable	Yes	No	-
	04	Ramp-function generator enable	Yes	No	-
	05	Continue ramp-function generator	Yes	No	-
	06	Speed setpoint enable	Yes	No	-
	07	Command open brake	Yes	No	-
	08	Jog 1	Yes	No	-
	09	Jog 2	Yes	No	-
	10	Master ctrl by PLC	Yes	No	-
	12	Speed controller enable	Yes	No	-
	14	Command close brake	Yes	No	-
Note:	OC: Operating condition Re bit 10: If p0700 = 2 is set, bit 10 always shows "1".				

r0899.0...13		CO/BO: Status word sequence control / ZSW seq_ctrl			
Access level: 2		Calculated: -		Data type: Unsigned16	
Can be changed: -		Scaling: -		Data set: -	
Units group: -		Unit selection: -			
Min		Max		Factory setting	
-		-		-	
Description:	Displays the status word of the sequence control.				
Bit field:	Bit	Signal name	1 signal	0 signal	FP
	00	Rdy for switch on	Yes	No	-
	01	Ready	Yes	No	-
	02	Operation enabled	Yes	No	-
	03	Jog active	Yes	No	-
	04	No coasting active	OFF2 inactive	OFF2 active	-
	05	No Quick Stop active	OFF3 inactive	OFF3 active	-
	06	Switching on inhibited active	Yes	No	-
	07	Drive ready	Yes	No	-
	08	Controller enable	Yes	No	-
	09	Control request	Yes	No	-
	11	Pulses enabled	Yes	No	-
	12	Open holding brake	Yes	No	-
	13	Command close holding brake	Yes	No	-
Note:	Re bits 00, 01, 02, 04, 05, 06, 09: For PROFIdrive, these signals are used for status word 1.				

p0918	PROFIBUS address / PB address		
G120C DP	Access level: 2	Calculated: -	Data type: Unsigned16
	Can be changed: T	Scaling: -	Data set: -
	Units group: -	Unit selection: -	
	Min 1	Max 126	Factory setting 126
Description:	Displays or sets the PROFIBUS address for PROFIBUS interface on the Control Unit. The address can be set as follows: 1) Using the DIP switch on the Control Unit. --> p0918 can then only be read and displays the selected address. --> A change only becomes effective after a POWER ON. 2) Using p0918 --> Only if all of the DIP switches are set to ON or OFF. --> The address is saved in a non-volatile fashion using the function "copy from RAM to ROM". --> A change only becomes effective after a POWER ON.		
Notice:	For p0014 = 1, the following applies: After the value has been modified, no further parameter modifications can be made and the status is shown in r3996. Modifications can be made again when r3996 = 0. For p0014 = 0, the following applies: Before a changed setting becomes permanently effective, a non-volatile RAM to ROM data save is required. To do this, set p0971 = 1 or p0014 = 1.		
Note:	Permissible PROFIBUS addresses: 1 ... 126 Address 126 is used for commissioning. Every PROFIBUS address change only becomes effective after a POWER ON.		
p0922	PROFIdrive telegram selection / PD Telegr_sel		
G120C DP	Access level: 1	Calculated: -	Data type: Unsigned16
	Can be changed: C(1), T	Scaling: -	Data set: -
	Units group: -	Unit selection: -	
	Min 1	Max 999	Factory setting 1
Description:	Sets the send and receive telegram.		
Value:	1: Standard telegram 1, PZD-2/2 20: Standard telegram 20, PZD-2/6 350: SIEMENS telegram 350, PZD-4/4 352: SIEMENS telegram 352, PZD-6/6 353: SIEMENS telegram 353, PZD-2/2, PKW-4/4 354: SIEMENS telegram 354, PZD-6/6, PKW-4/4 999: Free telegram configuration with BICO		
Dependency:	Refer to: F01505		
Note:	If a value is not equal to 999, a telegram is set and the automatically set interconnections in the telegram are inhibited. The inhibited interconnections can only be changed again after setting value 999.		
r0944	CO: Counter for fault buffer changes / Fault buff change		
	Access level: 3	Calculated: -	Data type: Unsigned16
	Can be changed: -	Scaling: -	Data set: -
	Units group: -	Unit selection: -	
	Min -	Max -	Factory setting -
Description:	Displays fault buffer changes. This counter is incremented every time the fault buffer changes.		
Dependency:	Refer to: r0945, r0947, r0948, r0949, r2109		

r0945[0...63] Fault code / Fault code			
Access level:	3	Calculated:	-
Can be changed:	-	Scaling:	-
Units group:	-	Unit selection:	-
Min	-	Max	-
		Factory setting	-
Description:	Displays the numbers of faults that have occurred.		
Dependency:	Refer to: r0947, r0948, r0949, r2109, r2130, r2133, r2136		
Note:	The buffer parameters are cyclically updated in the background (refer to status signal in r2139). Fault buffer structure (general principle): r0945[0], r0949[0], r0948[0], r2109[0] --> actual fault case, fault 1 ... r0945[7], r0949[7], r0948[7], r2109[7] --> actual fault case, fault 8 r0945[8], r0949[8], r0948[8], r2109[8] --> 1st acknowledged fault case, fault 1 ... r0945[15], r0949[15], r0948[15], r2109[15] --> 1st acknowledged fault case, fault 8 ... r0945[56], r0949[56], r0948[56], r2109[56] --> 7th acknowledged fault case, fault 1 ... r0945[63], r0949[63], r0948[63], r2109[63] --> 7th acknowledged fault case, fault 8		


r0946[0...65534] Fault code list / Fault code list			
Access level:	3	Calculated:	-
Can be changed:	-	Scaling:	-
Units group:	-	Unit selection:	-
Min	-	Max	-
		Factory setting	-
Description:	Lists the fault codes stored in the drive unit. The indices can only be accessed with a valid fault code.		
Dependency:	The parameter assigned to the fault code is entered in r0951 under the same index.		


r0947[0...63] Fault number / Fault number			
Access level:	2	Calculated:	-
Can be changed:	-	Scaling:	-
Units group:	-	Unit selection:	-
Min	-	Max	-
		Factory setting	-
Description:	This parameter is identical to r0945.		

r0948[0...63] Fault time received in milliseconds / t_fault rcv ms			
Access level:	3	Calculated:	-
Can be changed:	-	Scaling:	-
Units group:	-	Unit selection:	-
Min	- [ms]	Max	- [ms]
		Factory setting	- [ms]
Description:	Displays the system runtime in milliseconds when the fault occurred.		
Dependency:	Refer to: r0945, r0947, r0949, r2109, r2130, r2133, r2136		
Notice:	The time comprises r2130 (days) and r0948 (milliseconds).		
Note:	The buffer parameters are cyclically updated in the background (refer to status signal in r2139). The structure of the fault buffer and the assignment of the indices is shown in r0945. When the parameter is read via PROFIdrive, the TimeDifference data type applies.		

r0949[0...63]	Fault value / Fault value		
	Access level: 3	Calculated: -	Data type: Integer32
	Can be changed: -	Scaling: -	Data set: -
	Units group: -	Unit selection: -	
	Min	Max	Factory setting
	-	-	-
Description:	Displays additional information about the fault that occurred (as integer number).		
Dependency:	Refer to: r0945, r0947, r0948, r2109, r2130, r2133, r2136		
Note:	The buffer parameters are cyclically updated in the background (refer to status signal in r2139). The structure of the fault buffer and the assignment of the indices is shown in r0945.		
p0952	Fault cases, counter / Fault cases qty		
	Access level: 3	Calculated: -	Data type: Unsigned16
	Can be changed: U, T	Scaling: -	Data set: -
	Units group: -	Unit selection: -	
	Min	Max	Factory setting
	0	65535	0
Description:	Number of fault situations that have occurred since the last reset.		
Dependency:	The fault buffer is deleted (cleared) by setting p0952 to 0. Refer to: r0945, r0947, r0948, r0949, r2109, r2130, r2133, r2136		
r0963	PROFIBUS baud rate / PB baud rate		
G120C DP	Access level: 3	Calculated: -	Data type: Unsigned16
	Can be changed: -	Scaling: -	Data set: -
	Units group: -	Unit selection: -	
	Min	Max	Factory setting
	0	255	-
Description:	Displays the corresponding value for the PROFIBUS baud rate.		
Value:	0: 9.6 kbit/s 1: 19.2 kbit/s 2: 93.75 kbit/s 3: 187.5 kbit/s 4: 500 kbit/s 6: 1.5 Mbit/s 7: 3 Mbit/s 8: 6 Mbit/s 9: 12 Mbit/s 10: 31.25 kbit/s 11: 45.45 kbit/s 255: Baud rate unknown		

r0964[0...6]	Device identification / Device ident.		
	Access level: 3	Calculated: -	Data type: Unsigned16
	Can be changed: -	Scaling: -	Data set: -
	Units group: -	Unit selection: -	
	Min	Max	Factory setting
	-	-	-
Description:	Displays the device identification.		
Index:	[0] = Company (Siemens = 42) [1] = Device type [2] = Firmware version [3] = Firmware date (year) [4] = Firmware date (day/month) [5] = Number of drive objects [6] = Firmware patch/hot fix		
Note:	Example: r0964[0] = 42 --> SIEMENS r0964[1] = device type, see below r0964[2] = 403 --> first part of the firmware version V04.03 (for second part, refer to index 6) r0964[3] = 2010 --> year 2010 r0964[4] = 1705 --> 17th of May r0964[5] = 1 --> 1 drive object r0964[6] = 200 --> second part, firmware version (complete version: V04.03.02.00) Device type: r0964[1] = 6510 --> SINAMICS G120C DP r0964[1] = 6512 --> SINAMICS G120C CAN r0964[1] = 6513 --> SINAMICS G120C USS/MB		
r0965	PROFIdrive profile number / PD profile number		
G120C DP	Access level: 3	Calculated: -	Data type: Unsigned16
	Can be changed: -	Scaling: -	Data set: -
	Units group: -	Unit selection: -	
	Min	Max	Factory setting
	-	-	-
Description:	Displays the PROFIdrive profile number and profile version. Constant value = 0329 hex. Byte 1: Profile number = 03 hex = PROFIdrive profile Byte 2: Profile version = 29 hex = Version 4.1		
Note:	When the parameter is read via PROFIdrive, the Octet String 2 data type applies.		
p0969	System runtime relative / t_System relative		
	Access level: 3	Calculated: -	Data type: Unsigned32
	Can be changed: T	Scaling: -	Data set: -
	Units group: -	Unit selection: -	
	Min	Max	Factory setting
	0 [ms]	4294967295 [ms]	0 [ms]
Description:	Displays the system runtime in ms since the last POWER ON.		
Note:	The value in p0969 can only be reset to 0. The value overflows after approx. 49 days. When the parameter is read via PROFIdrive, the TimeDifference data type applies.		

p0970	Reset drive parameters / Drive par reset		
	Access level: 1	Calculated: -	Data type: Unsigned16
	Can be changed: C(1, 30)	Scaling: -	Data set: -
	Units group: -	Unit selection: -	
	Min 0	Max 300	Factory setting 0
Description:	<p>The parameter is used to initiate the reset of the drive parameters. Parameters p0100, p0205 are not reset. The following motor parameters are defined in accordance with the power unit: p0300 ... p0311. When downloading settings 10, 11, 12, the buffer memory mode is automatically deactivated (p0014 = 0).</p>		
Value:	<p>0: Inactive 1: Start a parameter reset 5: Starts a safety parameter reset 10: Starts to download setting 10 11: Starts to download setting 11 12: Starts to download setting 12 100: Start a BICO interconnection reset 300: Only Siemens internal</p>		
Dependency:	Refer to: F01659		
Caution:	When the buffer memory is active (see p0014), the actual parameters are backed up from RAM to ROM when a parameter set is loaded (p0970 = 10, 11, 12).		
Notice:	<p>After the value has been modified, no further parameter modifications can be made and the status is shown in r3996. Modifications can be made again when r3996 = 0. Peculiarities of communication via PROFIBUS DP: - Communication with Class 1 masters (e.g. S7 controllers) is interrupted. - Communication with Class 2 masters (e.g. STARTER) is retained.</p>		
Note:	<p>A factory setting run can only be started if p0010 was first set to 30 (parameter reset). At the end of the calculations, p0970 is automatically set to 0. Parameter reset has been completed if p0970 and p0010 have been set to 0. For p0970 = 1 the following applies: If a Safety Integrated function is parameterized (p9601), then the safety parameters are not reset. In this case, an error message (F01659) is output with fault value 2. The following generally applies: One index of parameters p2100, p2101, p2126, p2127 is not reset, if a parameterized message is precisely active in this index.</p>		
p0971	Save parameters / Save par		
	Access level: 1	Calculated: -	Data type: Unsigned16
	Can be changed: U, T	Scaling: -	Data set: -
	Units group: -	Unit selection: -	
	Min 0	Max 12	Factory setting 0
Description:	Setting to save parameters in the non-volatile memory.		
Value:	<p>0: Inactive 1: Save drive object 10: Save in non-volatile memory as setting 10 11: Save in non-volatile memory as setting 11 12: Save in non-volatile memory as setting 12</p>		
Dependency:	Refer to: p1960, r3996		
Caution:	<p>If a memory card (optional) is inserted, the following applies: The parameters are also saved on the card and therefore overwrite any existing data!</p>		
			
Caution:	The Control Unit power supply may only be powered down after data has been saved (i.e. after data save has been started, wait until the parameter again has the value 0).		
Notice:	<p>Writing to parameters is inhibited while saving. The progress while saving is displayed in r3996.</p>		

p0972 Drive unit reset / Drv_unit reset			
Access level: 3	Calculated: -	Data type: Unsigned16	
Can be changed: U, T	Scaling: -	Data set: -	
Units group: -	Unit selection: -		
Min 0	Max 3	Factory setting 0	
Description:	Sets the required procedure to execute a hardware reset for the drive unit.		
Value:	0: Inactive 1: Hardware-Reset immediate 2: Hardware reset preparation 3: Hardware reset after cyclic communication has failed		
Danger:	It must be absolutely ensured that the system is in a safe condition. The memory card/device memory of the Control Unit must not be accessed.		
			
Note:	If value = 1: Reset is immediately executed and communications interrupted. After communications have been established, check the reset operation (refer below). If value = 2: Help to check the reset operation. Firstly, set p0972 = 2 and then read back. Secondly, set p0972 = 1 (it is possible that this request is possibly no longer acknowledged). The communication is then interrupted. After communications have been established, check the reset operation (refer below). If value = 3: The reset is executed after interrupting cyclic communication. This setting is used to implement a synchronized reset by a control for several drive units. If the cyclic communication is active for both PROFIdrive interfaces, then the reset is executed after completing both cycle communications. After communications have been established, check the reset operation (refer below). To check the reset operation: After the drive unit has been restarted and communications have been established, read p0972 and check the following: p0972 = 0? --> The reset was successfully executed. p0972 > 0? --> The reset was not executed.		

r0980[0...299] List of existing parameters 1 / List avail par 1			
Access level: 4	Calculated: -	Data type: Unsigned16	
Can be changed: -	Scaling: -	Data set: -	
Units group: -	Unit selection: -		
Min -	Max -	Factory setting -	
Description:	Displays the parameters that exist for this drive.		
Dependency:	Refer to: r0981, r0989		
Note:	The existing parameters are displayed in indices 0 to 298. If an index contains the value 0, then the list ends here. In a long list, index 299 contains the parameter number at which position the list continues. This list consists solely of the following parameters: r0980[0...299], r0981[0...299] ... r0989[0...299] The parameters in this list are not displayed in the expert list of the commissioning software. However, they can be read from a higher-level control system (e.g. PROFIBUS master).		

r0981[0...299]	List of existing parameters 2 / List avail par 2		
	Access level: 4	Calculated: -	Data type: Unsigned16
	Can be changed: -	Scaling: -	Data set: -
	Units group: -	Unit selection: -	
	Min	Max	Factory setting
	-	-	-
Description:	Displays the parameters that exist for this drive.		
Dependency:	Refer to: r0980, r0989		
Note:	<p>The existing parameters are displayed in indices 0 to 298. If an index contains the value 0, then the list ends here. In a long list, index 299 contains the parameter number at which position the list continues.</p> <p>This list consists solely of the following parameters: r0980[0...299], r0981[0...299] ... r0989[0...299]</p> <p>The parameters in this list are not displayed in the expert list of the commissioning software. However, they can be read from a higher-level control system (e.g. PROFIBUS master).</p>		
r0989[0...299]	List of existing parameters 10 / List avail par 10		
	Access level: 4	Calculated: -	Data type: Unsigned16
	Can be changed: -	Scaling: -	Data set: -
	Units group: -	Unit selection: -	
	Min	Max	Factory setting
	-	-	-
Description:	Displays the parameters that exist for this drive.		
Dependency:	Refer to: r0980, r0981		
Note:	<p>The existing parameters are displayed in indices 0 to 298. If an index contains the value 0, then the list ends here. This list consists solely of the following parameters: r0980[0...299], r0981[0...299] ... r0989[0...299]</p> <p>The parameters in this list are not displayed in the expert list of the commissioning software. However, they can be read from a higher-level control system (e.g. PROFIBUS master).</p>		
r0990[0...99]	List of modified parameters 1 / List chang. par 1		
	Access level: 4	Calculated: -	Data type: Unsigned16
	Can be changed: -	Scaling: -	Data set: -
	Units group: -	Unit selection: -	
	Min	Max	Factory setting
	-	-	-
Description:	Displays those parameters with a value other than the factory setting for this drive.		
Dependency:	Refer to: r0991, r0999		
Note:	<p>Modified parameters are displayed in indices 0 to 98. If an index contains the value 0, then the list ends here. In a long list, index 99 contains the parameter number at which position the list continues.</p> <p>This list consists solely of the following parameters: r0990[0...99], r0991[0...99] ... r0999[0...99]</p> <p>The parameters in this list are not displayed in the expert list of the commissioning software. However, they can be read from a higher-level control system (e.g. PROFIBUS master).</p>		

r0991[0...99]	List of modified parameters 2 / List chang. par 2		
	Access level: 4	Calculated: -	Data type: Unsigned16
	Can be changed: -	Scaling: -	Data set: -
	Units group: -	Unit selection: -	
	Min	Max	Factory setting
	-	-	-
Description:	Displays those parameters with a value other than the factory setting for this drive.		
Dependency:	Refer to: r0990, r0999		
Note:	Modified parameters are displayed in indices 0 to 98. If an index contains the value 0, then the list ends here. In a long list, index 99 contains the parameter number at which position the list continues. This list consists solely of the following parameters: r0990[0...99], r0991[0...99] ... r0999[0...99] The parameters in this list are not displayed in the expert list of the commissioning software. However, they can be read from a higher-level control system (e.g. PROFIBUS master).		

r0999[0...99]	List of modified parameters 10 / List chang. par 10		
	Access level: 4	Calculated: -	Data type: Unsigned16
	Can be changed: -	Scaling: -	Data set: -
	Units group: -	Unit selection: -	
	Min	Max	Factory setting
	-	-	-
Description:	Displays those parameters with a value other than the factory setting for this drive.		
Dependency:	Refer to: r0990, r0991		
Note:	Modified parameters are displayed in indices 0 to 98. If an index contains the value 0, then the list ends here. This list consists solely of the following parameters: r0990[0...99], r0991[0...99] ... r0999[0...99] The parameters in this list are not displayed in the expert list of the commissioning software. However, they can be read from a higher-level control system (e.g. PROFIBUS master).		

p1000[0...n]	Speed setpoint selection / n_set sel		
G120C CAN	Access level: 1	Calculated: -	Data type: Integer16
G120C USS/MB	Can be changed: T	Scaling: -	Data set: CDS, p0170
	Units group: -	Unit selection: -	
	Min	Max	Factory setting
	0	200	2

Description: Sets the source for the speed setpoint.
 For single-digit values, the following applies:
 The value specifies the main setpoint.
 For double-digit values, the following applies:
 The left-hand digit specifies the supplementary setpoint, the right-hand digit the main setpoint.
 Example:
 Value = 26
 --> The analog setpoint (2) supplies the supplementary setpoint.
 --> The fieldbus (6) supplies the main setpoint.

Value:

- 0: No main setpoint
- 1: Motorized potentiometer
- 2: Analog setpoint
- 3: Fixed speed setpoint
- 6: Fieldbus
- 7: Analog setpoint 2
- 10: Motor potentiometer + no main setpoint
- 11: Motor potentiometer + motor potentiometer
- 12: Motor potentiometer + analog setpoint
- 13: Motor potentiometer + fixed speed setpoint
- 16: Motor potentiometer + fieldbus
- 17: Motor potentiometer + analog setpoint 2
- 20: Analog setpoint + no main setpoint
- 21: Analog setpoint + motor potentiometer
- 22: Analog setpoint + analog setpoint
- 23: Analog setpoint + fixed speed setpoint
- 26: Analog setpoint + fieldbus
- 27: Analog setpoint + analog setpoint 2
- 30: Fixed speed setpoint + no main setpoint
- 31: Fixed speed setpoint + motor potentiometer
- 32: Fixed speed setpoint + analog setpoint
- 33: Fixed speed setpoint + fixed speed setpoint
- 36: Fixed speed setpoint + fieldbus
- 37: Fixed speed setpoint + analog setpoint 2
- 60: Fieldbus + no main setpoint
- 61: Fieldbus + motor potentiometer
- 62: Fieldbus + analog setpoint
- 63: Fieldbus + fixed speed setpoint
- 66: Fieldbus+fieldbus
- 67: Fieldbus + analog setpoint 2
- 70: Analog setpoint 2 + no main setpoint
- 71: Analog setpoint 2 + motor potentiometer
- 72: Analog setpoint 2 + analog setpoint
- 73: Analog setpoint 2 + fixed speed setpoint
- 76: Analog setpoint 2 + fieldbus
- 77: Analog setpoint 2 + analog setpoint 2
- 200: Analog output connection

Dependency: When changing this parameter, the following settings are influenced:
 Refer to: p1070, p1071, p1075, p1076

Caution: If p1000 is selected as the main setpoint of the fieldbus, the following BICO interconnection is set automatically:
 p2051[1] = r0063



Caution: When executing a specific macro, the corresponding programmed settings are made and become active.

p1000[0...n]	Speed setpoint selection / n_set sel		
G120C DP	Access level: 1	Calculated: -	Data type: Integer16
	Can be changed: T	Scaling: -	Data set: CDS, p0170
	Units group: -	Unit selection: -	
	Min	Max	Factory setting
	0	200	6

Description: Sets the source for the speed setpoint.
 For single-digit values, the following applies:
 The value specifies the main setpoint.
 For double-digit values, the following applies:
 The left-hand digit specifies the supplementary setpoint, the right-hand digit the main setpoint.
 Example:
 Value = 26
 --> The analog setpoint (2) supplies the supplementary setpoint.
 --> The fieldbus (6) supplies the main setpoint.

Value:

- 0: No main setpoint
- 1: Motorized potentiometer
- 2: Analog setpoint
- 3: Fixed speed setpoint
- 6: Fieldbus
- 7: Analog setpoint 2
- 10: Motor potentiometer + no main setpoint
- 11: Motor potentiometer + motor potentiometer
- 12: Motor potentiometer + analog setpoint
- 13: Motor potentiometer + fixed speed setpoint
- 16: Motor potentiometer + fieldbus
- 17: Motor potentiometer + analog setpoint 2
- 20: Analog setpoint + no main setpoint
- 21: Analog setpoint + motor potentiometer
- 22: Analog setpoint + analog setpoint
- 23: Analog setpoint + fixed speed setpoint
- 26: Analog setpoint + fieldbus
- 27: Analog setpoint + analog setpoint 2
- 30: Fixed speed setpoint + no main setpoint
- 31: Fixed speed setpoint + motor potentiometer
- 32: Fixed speed setpoint + analog setpoint
- 33: Fixed speed setpoint + fixed speed setpoint
- 36: Fixed speed setpoint + fieldbus
- 37: Fixed speed setpoint + analog setpoint 2
- 60: Fieldbus + no main setpoint
- 61: Fieldbus + motor potentiometer
- 62: Fieldbus + analog setpoint
- 63: Fieldbus + fixed speed setpoint
- 66: Fieldbus+fieldbus
- 67: Fieldbus + analog setpoint 2
- 70: Analog setpoint 2 + no main setpoint
- 71: Analog setpoint 2 + motor potentiometer
- 72: Analog setpoint 2 + analog setpoint
- 73: Analog setpoint 2 + fixed speed setpoint
- 76: Analog setpoint 2 + fieldbus
- 77: Analog setpoint 2 + analog setpoint 2
- 200: Analog output connection

Dependency: When changing this parameter, the following settings are influenced:
 Refer to: p1070, p1071, p1075, p1076

Caution: If p1000 is selected as the main setpoint of the fieldbus, the following BICO interconnection is set automatically:
 p2051[1] = r0063



Caution: When executing a specific macro, the corresponding programmed settings are made and become active.

p1001[0...n]	CO: Fixed speed setpoint 1 / n_set_fixed 1		
	Access level: 2	Calculated: -	Data type: FloatingPoint32
	Can be changed: U, T	Scaling: p2000	Data set: DDS, p0180
	Units group: 3_1	Unit selection: p0505	
	Min -210000.000 [rpm]	Max 210000.000 [rpm]	Factory setting 0.000 [rpm]
Description:	Sets a value for the fixed speed / velocity setpoint 1.		
Dependency:	Refer to: p1020, p1021, p1022, p1023, r1024		
Notice:	A BICO interconnection to a parameter that belongs to a drive data set always acts on the effective data set.		
p1002[0...n]	CO: Fixed speed setpoint 2 / n_set_fixed 2		
	Access level: 2	Calculated: -	Data type: FloatingPoint32
	Can be changed: U, T	Scaling: p2000	Data set: DDS, p0180
	Units group: 3_1	Unit selection: p0505	
	Min -210000.000 [rpm]	Max 210000.000 [rpm]	Factory setting 0.000 [rpm]
Description:	Sets a value for the fixed speed / velocity setpoint 2.		
Dependency:	Refer to: p1020, p1021, p1022, p1023, r1024		
Notice:	A BICO interconnection to a parameter that belongs to a drive data set always acts on the effective data set.		
p1003[0...n]	CO: Fixed speed setpoint 3 / n_set_fixed 3		
	Access level: 2	Calculated: -	Data type: FloatingPoint32
	Can be changed: U, T	Scaling: p2000	Data set: DDS, p0180
	Units group: 3_1	Unit selection: p0505	
	Min -210000.000 [rpm]	Max 210000.000 [rpm]	Factory setting 0.000 [rpm]
Description:	Sets a value for the fixed speed / velocity setpoint 3.		
Dependency:	Refer to: p1020, p1021, p1022, p1023, r1024		
Notice:	A BICO interconnection to a parameter that belongs to a drive data set always acts on the effective data set.		
p1004[0...n]	CO: Fixed speed setpoint 4 / n_set_fixed 4		
	Access level: 2	Calculated: -	Data type: FloatingPoint32
	Can be changed: U, T	Scaling: p2000	Data set: DDS, p0180
	Units group: 3_1	Unit selection: p0505	
	Min -210000.000 [rpm]	Max 210000.000 [rpm]	Factory setting 0.000 [rpm]
Description:	Sets a value for the fixed speed / velocity setpoint 4.		
Dependency:	Refer to: p1020, p1021, p1022, p1023, r1024		
Notice:	A BICO interconnection to a parameter that belongs to a drive data set always acts on the effective data set.		

p1005[0...n]	CO: Fixed speed setpoint 5 / n_set_fixed 5		
	Access level: 2	Calculated: -	Data type: FloatingPoint32
	Can be changed: U, T	Scaling: p2000	Data set: DDS, p0180
	Units group: 3_1	Unit selection: p0505	
	Min -210000.000 [rpm]	Max 210000.000 [rpm]	Factory setting 0.000 [rpm]
Description:	Sets a value for the fixed speed / velocity setpoint 5.		
Dependency:	Refer to: p1020, p1021, p1022, p1023, r1024		
Notice:	A BICO interconnection to a parameter that belongs to a drive data set always acts on the effective data set.		
p1006[0...n]	CO: Fixed speed setpoint 6 / n_set_fixed 6		
	Access level: 2	Calculated: -	Data type: FloatingPoint32
	Can be changed: U, T	Scaling: p2000	Data set: DDS, p0180
	Units group: 3_1	Unit selection: p0505	
	Min -210000.000 [rpm]	Max 210000.000 [rpm]	Factory setting 0.000 [rpm]
Description:	Sets a value for the fixed speed / velocity setpoint 6.		
Dependency:	Refer to: p1020, p1021, p1022, p1023, r1024		
Notice:	A BICO interconnection to a parameter that belongs to a drive data set always acts on the effective data set.		
p1007[0...n]	CO: Fixed speed setpoint 7 / n_set_fixed 7		
	Access level: 2	Calculated: -	Data type: FloatingPoint32
	Can be changed: U, T	Scaling: p2000	Data set: DDS, p0180
	Units group: 3_1	Unit selection: p0505	
	Min -210000.000 [rpm]	Max 210000.000 [rpm]	Factory setting 0.000 [rpm]
Description:	Sets a value for the fixed speed / velocity setpoint 7.		
Dependency:	Refer to: p1020, p1021, p1022, p1023, r1024		
Notice:	A BICO interconnection to a parameter that belongs to a drive data set always acts on the effective data set.		
p1008[0...n]	CO: Fixed speed setpoint 8 / n_set_fixed 8		
	Access level: 2	Calculated: -	Data type: FloatingPoint32
	Can be changed: U, T	Scaling: p2000	Data set: DDS, p0180
	Units group: 3_1	Unit selection: p0505	
	Min -210000.000 [rpm]	Max 210000.000 [rpm]	Factory setting 0.000 [rpm]
Description:	Sets a value for the fixed speed / velocity setpoint 8.		
Dependency:	Refer to: p1020, p1021, p1022, p1023, r1024		
Notice:	A BICO interconnection to a parameter that belongs to a drive data set always acts on the effective data set.		

p1009[0...n]	CO: Fixed speed setpoint 9 / n_set_fixed 9		
	Access level: 2	Calculated: -	Data type: FloatingPoint32
	Can be changed: U, T	Scaling: p2000	Data set: DDS, p0180
	Units group: 3_1	Unit selection: p0505	
	Min -210000.000 [rpm]	Max 210000.000 [rpm]	Factory setting 0.000 [rpm]
Description:	Sets a value for the fixed speed / velocity setpoint 9.		
Dependency:	Refer to: p1020, p1021, p1022, p1023, r1024		
Notice:	A BICO interconnection to a parameter that belongs to a drive data set always acts on the effective data set.		
p1010[0...n]	CO: Fixed speed setpoint 10 / n_set_fixed 10		
	Access level: 2	Calculated: -	Data type: FloatingPoint32
	Can be changed: U, T	Scaling: p2000	Data set: DDS, p0180
	Units group: 3_1	Unit selection: p0505	
	Min -210000.000 [rpm]	Max 210000.000 [rpm]	Factory setting 0.000 [rpm]
Description:	Sets a value for the fixed speed / velocity setpoint 10.		
Dependency:	Refer to: p1020, p1021, p1022, p1023, r1024		
Notice:	A BICO interconnection to a parameter that belongs to a drive data set always acts on the effective data set.		
p1011[0...n]	CO: Fixed speed setpoint 11 / n_set_fixed 11		
	Access level: 2	Calculated: -	Data type: FloatingPoint32
	Can be changed: U, T	Scaling: p2000	Data set: DDS, p0180
	Units group: 3_1	Unit selection: p0505	
	Min -210000.000 [rpm]	Max 210000.000 [rpm]	Factory setting 0.000 [rpm]
Description:	Sets a value for the fixed speed / velocity setpoint 11.		
Dependency:	Refer to: p1020, p1021, p1022, p1023, r1024		
Notice:	A BICO interconnection to a parameter that belongs to a drive data set always acts on the effective data set.		
p1012[0...n]	CO: Fixed speed setpoint 12 / n_set_fixed 12		
	Access level: 2	Calculated: -	Data type: FloatingPoint32
	Can be changed: U, T	Scaling: p2000	Data set: DDS, p0180
	Units group: 3_1	Unit selection: p0505	
	Min -210000.000 [rpm]	Max 210000.000 [rpm]	Factory setting 0.000 [rpm]
Description:	Sets a value for the fixed speed / velocity setpoint 12.		
Dependency:	Refer to: p1020, p1021, p1022, p1023, r1024		
Notice:	A BICO interconnection to a parameter that belongs to a drive data set always acts on the effective data set.		

p1013[0...n]	CO: Fixed speed setpoint 13 / n_set_fixed 13		
	Access level: 2	Calculated: -	Data type: FloatingPoint32
	Can be changed: U, T	Scaling: p2000	Data set: DDS, p0180
	Units group: 3_1	Unit selection: p0505	
	Min -210000.000 [rpm]	Max 210000.000 [rpm]	Factory setting 0.000 [rpm]
Description:	Sets a value for the fixed speed / velocity setpoint 13.		
Dependency:	Refer to: p1020, p1021, p1022, p1023, r1024		
Notice:	A BICO interconnection to a parameter that belongs to a drive data set always acts on the effective data set.		

p1014[0...n]	CO: Fixed speed setpoint 14 / n_set_fixed 14		
	Access level: 2	Calculated: -	Data type: FloatingPoint32
	Can be changed: U, T	Scaling: p2000	Data set: DDS, p0180
	Units group: 3_1	Unit selection: p0505	
	Min -210000.000 [rpm]	Max 210000.000 [rpm]	Factory setting 0.000 [rpm]
Description:	Sets a value for the fixed speed / velocity setpoint 14.		
Dependency:	Refer to: p1020, p1021, p1022, p1023, r1024		
Notice:	A BICO interconnection to a parameter that belongs to a drive data set always acts on the effective data set.		

p1015[0...n]	CO: Fixed speed setpoint 15 / n_set_fixed 15		
	Access level: 2	Calculated: -	Data type: FloatingPoint32
	Can be changed: U, T	Scaling: p2000	Data set: DDS, p0180
	Units group: 3_1	Unit selection: p0505	
	Min -210000.000 [rpm]	Max 210000.000 [rpm]	Factory setting 0.000 [rpm]
Description:	Sets a value for the fixed speed / velocity setpoint 15.		
Dependency:	Refer to: p1020, p1021, p1022, p1023, r1024		
Notice:	A BICO interconnection to a parameter that belongs to a drive data set always acts on the effective data set.		

p1016	Fixed speed setpoint mode / n_setp_fixed mode		
	Access level: 2	Calculated: -	Data type: Integer16
	Can be changed: T	Scaling: -	Data set: -
	Units group: -	Unit selection: -	
	Min 1	Max 2	Factory setting 1
Description:	Sets the mode to select the fixed speed setpoint.		
Value:	1: Direct selection 2: Selection binary coded		
Note:	Re p1016 = 1: In this mode, the fixed speed setpoint is entered using p1001 ... p1004. Re p1016 = 2: In this mode, the fixed speed setpoint is entered using p1001 ... p1015.		

p1020[0...n]	BI: Fixed speed setpoint selection Bit 0 / n_set_fixed Bit 0		
	Access level: 3	Calculated: -	Data type: U32 / Binary
	Can be changed: T	Scaling: -	Data set: CDS, p0170
	Units group: -	Unit selection: -	
	Min	Max	Factory setting
	-	-	0
Description:	Sets the signal source for selecting the fixed speed setpoint.		
Dependency:	Selects the required fixed speed setpoint using p1020 ... p1023. Sets the values for the fixed speed setpoints 1 ... 15 using p1001 ... p1015. Refer to: p1021, p1022, p1023		
Note:	If a fixed speed setpoint has not been selected (p1020 ... p1023 = 0), then r1024 = 0 (setpoint = 0).		
p1021[0...n]	BI: Fixed speed setpoint selection Bit 1 / n_set_fixed Bit 1		
	Access level: 3	Calculated: -	Data type: U32 / Binary
	Can be changed: T	Scaling: -	Data set: CDS, p0170
	Units group: -	Unit selection: -	
	Min	Max	Factory setting
	-	-	0
Description:	Sets the signal source for selecting the fixed speed setpoint.		
Dependency:	Selects the required fixed speed setpoint using p1020 ... p1023. Sets the values for the fixed speed setpoints 1 ... 15 using p1001 ... p1015. Refer to: p1020, p1022, p1023		
Note:	If a fixed speed setpoint has not been selected (p1020 ... p1023 = 0), then r1024 = 0 (setpoint = 0).		
p1022[0...n]	BI: Fixed speed setpoint selection Bit 2 / n_set_fixed Bit 2		
	Access level: 3	Calculated: -	Data type: U32 / Binary
	Can be changed: T	Scaling: -	Data set: CDS, p0170
	Units group: -	Unit selection: -	
	Min	Max	Factory setting
	-	-	0
Description:	Sets the signal source for selecting the fixed speed setpoint.		
Dependency:	Selects the required fixed speed setpoint using p1020 ... p1023. Sets the values for the fixed speed setpoints 1 ... 15 using p1001 ... p1015. Refer to: p1020, p1021, p1023		
Note:	If a fixed speed setpoint has not been selected (p1020 ... p1023 = 0), then r1024 = 0 (setpoint = 0).		
p1023[0...n]	BI: Fixed speed setpoint selection Bit 3 / n_set_fixed Bit 3		
	Access level: 3	Calculated: -	Data type: U32 / Binary
	Can be changed: T	Scaling: -	Data set: CDS, p0170
	Units group: -	Unit selection: -	
	Min	Max	Factory setting
	-	-	0
Description:	Sets the signal source for selecting the fixed speed setpoint.		
Dependency:	Selects the required fixed speed setpoint using p1020 ... p1023. Sets the values for the fixed speed setpoints 1 ... 15 using p1001 ... p1015. Refer to: p1020, p1021, p1022		
Note:	If a fixed speed setpoint has not been selected (p1020 ... p1023 = 0), then r1024 = 0 (setpoint = 0).		

r1024	CO: Fixed speed setpoint effective / n_set_fixed eff			
	Access level: 3	Calculated: -	Data type: FloatingPoint32	
	Can be changed: -	Scaling: p2000	Data set: -	
	Units group: 3_1	Unit selection: p0505		
	Min - [rpm]	Max - [rpm]	Factory setting - [rpm]	
Description:	Displays the selected and effective fixed speed setpoint. This setpoint is the output value for the fixed speed setpoints and must be appropriately interconnected (e.g. with the main setpoint).			
Dependency:	Selects the required fixed speed setpoint using p1020 ... p1023. Sets the values for the fixed speed setpoints 1 ... 15 using p1001 ... p1015. Refer to: p1070			
Note:	If a fixed speed setpoint has not been selected (p1020 ... p1023 = 0), then r1024 = 0 (setpoint = 0).			

r1025.0	BO: Fixed speed setpoint status / n_setp_fix status			
	Access level: 3	Calculated: -	Data type: Unsigned8	
	Can be changed: -	Scaling: -	Data set: -	
	Units group: -	Unit selection: -		
	Min -	Max -	Factory setting -	
Description:	Displays the status when selecting the fixed speed setpoints.			
Bit field:	Bit	Signal name	1 signal	0 signal
	00	Fixed speed setpoint selected	Yes	No
Dependency:	Refer to: p1016			
Note:	Re bit 00: When the fixed speed setpoints are directly selected (p1016 = 1), this bit is set if at least 1 fixed speed setpoint is selected.			

p1030[0...n]	Motorized potentiometer configuration / Mop configuration				
	Access level: 3	Calculated: -	Data type: Unsigned16		
	Can be changed: U, T	Scaling: -	Data set: DDS, p0180		
	Units group: -	Unit selection: -			
	Min	Max	Factory setting		
	-	-	0000 0110 bin		
Description:	Sets the configuration for the motorized potentiometer.				
Bit field:	Bit	Signal name	1 signal	0 signal	FP
	00	Data save active	Yes	No	-
	01	Automatic mode, ramp-function generator active	Yes	No	-
	02	Initial rounding-off active	Yes	No	-
	03	Save in NVRAM active	Yes	No	-
	04	Ramp-function generator always active	Yes	No	-
Notice:	For p0014 = 1, the following applies: After the value has been modified, no further parameter modifications can be made and the status is shown in r3996. Modifications can be made again when r3996 = 0.				
Note:	Re bit 00: 0: The setpoint for the motorized potentiometer is not saved and after ON is entered using p1040. 1: The setpoint for the motorized potentiometer is saved after OFF and after ON set to the saved value. In order to save in a non-volatile fashion, bit 03 should be set to 1.				
	Re bit 01: 0: Without ramp-function generator in the automatic mode (ramp-up/ramp-down time = 0). 1: With ramp-function generator in the automatic mode. For manual operation, the ramp-function generator is always active.				
	Re bit 02: 0: Without initial rounding-off 1: With initial rounding-off. The selected ramp-up/down time is correspondingly exceeded. The initial rounding-off is a sensitive way of specifying small changes (progressive reaction when keys are pressed). The jerk for the initial rounding-off is independent of the ramp-up time and only depends on the selected maximum speed (p1082). It is calculated as follows: $r = 0.01 \% * p1082 [1/s] / 0.13^2 [s^2]$ The jerk acts up until the maximum acceleration is reached ($a_{max} = p1082 [1/s] / p1047 [s]$), and then the drive continues to run linearly with a constant rate of acceleration. The higher the maximum acceleration (the lower that p1047 is), the longer the ramp-up time increases with respect to the set ramp-up time.				
	Re bit 03: 0: Non-volatile data save de-activated. 1: The setpoint for the motorized potentiometer is saved in a non-volatile fashion (for bit 00 = 1).				
	Re bit 04: When the bit is set, the ramp-function generator is computed independent of the pulse enable. The actual output value of the motorized potentiometer is always in r1050.				
p1035[0...n]	BI: Motorized potentiometer setpoint raise / Mop raise				
G120C CAN	Access level: 3	Calculated: -	Data type: U32 / Binary		
G120C USS/MB	Can be changed: T	Scaling: -	Data set: CDS, p0170		
	Units group: -	Unit selection: -			
	Min	Max	Factory setting		
	-	-	0		
Description:	Sets the signal source to continually increase the setpoint for the motorized potentiometer. The setpoint change (CO: r1050) depends on the set ramp-up time (p1047) and the duration of the signal that is present (BI: p1035).				
Dependency:	Refer to: p1036				
Notice:	The parameter may be protected as a result of p0922 or p2079 and cannot be changed.				

p1035[0...n]	BI: Motorized potentiometer setpoint raise / Mop raise		
G120C DP	Access level: 3	Calculated: -	Data type: U32 / Binary
	Can be changed: T	Scaling: -	Data set: CDS, p0170
	Units group: -	Unit selection: -	
	Min	Max	Factory setting
	-	-	[0] 2090.13 [1] 0
Description:	Sets the signal source to continually increase the setpoint for the motorized potentiometer. The setpoint change (CO: r1050) depends on the set ramp-up time (p1047) and the duration of the signal that is present (BI: p1035).		
Dependency:	Refer to: p1036		
Notice:	The parameter may be protected as a result of p0922 or p2079 and cannot be changed.		
p1036[0...n]	BI: Motorized potentiometer lower setpoint / Mop lower		
G120C CAN	Access level: 3	Calculated: -	Data type: U32 / Binary
G120C USS/MB	Can be changed: T	Scaling: -	Data set: CDS, p0170
	Units group: -	Unit selection: -	
	Min	Max	Factory setting
	-	-	0
Description:	Sets the signal source to continuously lower the setpoint for the motorized potentiometer. The setpoint change (CO: r1050) depends on the set ramp-down time (p1048) and the duration of the signal that is present (BI: p1036).		
Dependency:	Refer to: p1035		
Notice:	The parameter may be protected as a result of p0922 or p2079 and cannot be changed.		
p1036[0...n]	BI: Motorized potentiometer lower setpoint / Mop lower		
G120C DP	Access level: 3	Calculated: -	Data type: U32 / Binary
	Can be changed: T	Scaling: -	Data set: CDS, p0170
	Units group: -	Unit selection: -	
	Min	Max	Factory setting
	-	-	[0] 2090.14 [1] 0
Description:	Sets the signal source to continuously lower the setpoint for the motorized potentiometer. The setpoint change (CO: r1050) depends on the set ramp-down time (p1048) and the duration of the signal that is present (BI: p1036).		
Dependency:	Refer to: p1035		
Notice:	The parameter may be protected as a result of p0922 or p2079 and cannot be changed.		
p1037[0...n]	Motorized potentiometer maximum speed / MotP n_max		
	Access level: 3	Calculated: p0340 = 1,3,5	Data type: FloatingPoint32
	Can be changed: U, T	Scaling: -	Data set: DDS, p0180
	Units group: 3_1	Unit selection: p0505	
	Min	Max	Factory setting
	-210000.000 [rpm]	210000.000 [rpm]	0.000 [rpm]
Description:	Sets the maximum speed/velocity for the motorized potentiometer.		
Note:	This parameter is automatically pre-assigned in the commissioning phase. The setpoint output from the motorized potentiometer is limited to this value (see function diagram 3020).		

p1038[0...n]	Motorized potentiometer minimum speed / MotP n_min		
	Access level: 3	Calculated: p0340 = 1,3,5	Data type: FloatingPoint32
	Can be changed: U, T	Scaling: -	Data set: DDS, p0180
	Units group: 3_1	Unit selection: p0505	
	Min -210000.000 [rpm]	Max 210000.000 [rpm]	Factory setting 0.000 [rpm]
Description:	Sets the minimum speed/velocity for the motorized potentiometer.		
Note:	This parameter is automatically pre-assigned in the commissioning phase. The setpoint output from the motorized potentiometer is limited to this value (see function diagram 3020).		
p1040[0...n]	Motorized potentiometer starting value / Mop start value		
	Access level: 2	Calculated: -	Data type: FloatingPoint32
	Can be changed: U, T	Scaling: -	Data set: DDS, p0180
	Units group: 3_1	Unit selection: p0505	
	Min -210000.000 [rpm]	Max 210000.000 [rpm]	Factory setting 0.000 [rpm]
Description:	Sets the starting value for the motorized potentiometer. This starting value becomes effective after the drive has been powered up.		
Dependency:	Only effective if p1030.0 = 0. Refer to: p1030		
p1043[0...n]	BI: Motorized potentiometer accept setting value / MotP acc set val		
	Access level: 3	Calculated: -	Data type: U32 / Binary
	Can be changed: T	Scaling: -	Data set: CDS, p0170
	Units group: -	Unit selection: -	
	Min -	Max -	Factory setting 0
Description:	Sets the signal source to accept the setting value for the motorized potentiometer.		
Dependency:	Refer to: p1044		
Note:	The setting value (CI: p1044) becomes effective for a 0/1 edge of the setting command (BI: p1043).		
p1044[0...n]	CI: Motorized potentiometer setting value / Mop set val		
	Access level: 3	Calculated: -	Data type: U32 / FloatingPoint32
	Can be changed: T	Scaling: p2000	Data set: CDS, p0170
	Units group: -	Unit selection: -	
	Min -	Max -	Factory setting 0
Description:	Sets the signal source for the setting value for the motorized potentiometer.		
Dependency:	Refer to: p1043		
Note:	The setting value (CI: p1044) becomes effective for a 0/1 edge of the setting command (BI: p1043).		
r1045	CO: Mot. potentiometer speed setp. in front of ramp-fct. gen. / Mop n_set bef RFG		
	Access level: 3	Calculated: -	Data type: FloatingPoint32
	Can be changed: -	Scaling: p2000	Data set: -
	Units group: 3_1	Unit selection: p0505	
	Min - [rpm]	Max - [rpm]	Factory setting - [rpm]
Description:	Sets the effective setpoint in front of the internal motorized potentiometer ramp-function generator.		

p1047[0...n]	Motorized potentiometer ramp-up time / Mop ramp-up time		
	Access level: 2	Calculated: -	Data type: FloatingPoint32
	Can be changed: U, T	Scaling: -	Data set: DDS, p0180
	Units group: -	Unit selection: -	
	Min 0.000 [s]	Max 1000.000 [s]	Factory setting 10.000 [s]
Description:	Sets the ramp-up time for the internal ramp-function generator for the motorized potentiometer. The setpoint is changed from zero up to the speed/velocity limit (p1082) within this time (if no initial rounding-off has been activated).		
Dependency:	Refer to: p1030, p1048, p1082		
Note:	When the initial rounding-off is activated (p1030.2) the ramp-up time is correspondingly extended.		
p1048[0...n]	Motorized potentiometer ramp-down time / Mop ramp-down time		
	Access level: 2	Calculated: -	Data type: FloatingPoint32
	Can be changed: U, T	Scaling: -	Data set: DDS, p0180
	Units group: -	Unit selection: -	
	Min 0.000 [s]	Max 1000.000 [s]	Factory setting 10.000 [s]
Description:	Sets the ramp-down time for the internal ramp-function generator for the motorized potentiometer. The setpoint is changed from the speed/velocity limit (p1082) to zero within this time (if no initial rounding-off has been activated).		
Dependency:	Refer to: p1030, p1047, p1082		
Note:	The deceleration time is extended corresponding to the activated initial rounding-off (p1030.2).		
r1050	CO: Motor. potentiometer setpoint after the ramp-function generator / Mop setp after RFG		
	Access level: 2	Calculated: -	Data type: FloatingPoint32
	Can be changed: -	Scaling: p2000	Data set: -
	Units group: 3_1	Unit selection: p0505	
	Min - [rpm]	Max - [rpm]	Factory setting - [rpm]
Description:	Sets the effective setpoint after the internal motorized potentiometer ramp-function generator. This setpoint is the output value of the motorized potentiometer and must be appropriately interconnected onwards (e.g. with the main setpoint).		
Dependency:	Refer to: p1070		
Note:	For "With ramp-function generator", after an OFF1, OFF2, OFF3 or for a 0 signal via BI: p0852 (inhibit operation, cancel pulses) the ramp-function generator output (r1050) is set to the starting value (configuration via p1030.0).		
p1055[0...n]	BI: Jog bit 0 / Jog bit 0		
G120C CAN	Access level: 3	Calculated: -	Data type: U32 / Binary
G120C USS/MB	Can be changed: T	Scaling: -	Data set: CDS, p0170
	Units group: -	Unit selection: -	
	Min -	Max -	Factory setting 0
Description:	Sets the signal source for jog 1.		
Dependency:	Refer to: p0840, p1058		
Notice:	The drive is enabled for jogging using BI: p1055 or BI: p1056. The command "ON/OFF1" can be issued using BI: p0840 or using BI: p1055/p1056. Only the signal source that was used to power up can also be used to power down again.		

p1055[0...n]	BI: Jog bit 0 / Jog bit 0		
G120C DP	Access level: 3	Calculated: -	Data type: U32 / Binary
	Can be changed: T	Scaling: -	Data set: CDS, p0170
	Units group: -	Unit selection: -	
	Min	Max	Factory setting
	-	-	[0] 0 [1] 722.0
Description:	Sets the signal source for jog 1.		
Dependency:	Refer to: p0840, p1058		
Notice:	The drive is enabled for jogging using BI: p1055 or BI: p1056. The command "ON/OFF1" can be issued using BI: p0840 or using BI: p1055/p1056. Only the signal source that was used to power up can also be used to power down again.		
p1056[0...n]	BI: Jog bit 1 / Jog bit 1		
G120C CAN	Access level: 3	Calculated: -	Data type: U32 / Binary
G120C USS/MB	Can be changed: T	Scaling: -	Data set: CDS, p0170
	Units group: -	Unit selection: -	
	Min	Max	Factory setting
	-	-	0
Description:	Sets the signal source for jog 2.		
Dependency:	Refer to: p0840, p1059		
Notice:	The drive is enabled for jogging using BI: p1055 or BI: p1056. The command "ON/OFF1" can be issued using BI: p0840 or using BI: p1055/p1056. Only the signal source that was used to power up can also be used to power down again.		
p1056[0...n]	BI: Jog bit 1 / Jog bit 1		
G120C DP	Access level: 3	Calculated: -	Data type: U32 / Binary
	Can be changed: T	Scaling: -	Data set: CDS, p0170
	Units group: -	Unit selection: -	
	Min	Max	Factory setting
	-	-	[0] 0 [1] 722.1
Description:	Sets the signal source for jog 2.		
Dependency:	Refer to: p0840, p1059		
Notice:	The drive is enabled for jogging using BI: p1055 or BI: p1056. The command "ON/OFF1" can be issued using BI: p0840 or using BI: p1055/p1056. Only the signal source that was used to power up can also be used to power down again.		
p1058[0...n]	Jog 1 speed setpoint / Jog 1 n_set		
	Access level: 2	Calculated: -	Data type: FloatingPoint32
	Can be changed: T	Scaling: -	Data set: DDS, p0180
	Units group: 3_1	Unit selection: p0505	
	Min	Max	Factory setting
	-210000.000 [rpm]	210000.000 [rpm]	150.000 [rpm]
Description:	Sets the speed/velocity for jog 1. Jogging is level-triggered and allows the motor to be incrementally moved.		
Dependency:	Refer to: p1055, p1056		



p1059[0...n]	Jog 2 speed setpoint / Jog 2 n_set		
	Access level: 2	Calculated: -	Data type: FloatingPoint32
	Can be changed: T	Scaling: -	Data set: DDS, p0180
	Units group: 3_1	Unit selection: p0505	
	Min -210000.000 [rpm]	Max 210000.000 [rpm]	Factory setting -150.000 [rpm]
Description:	Sets the speed/velocity for jog 2. Jogging is level-triggered and allows the motor to be incrementally moved.		
Dependency:	Refer to: p1055, p1056		
p1070[0...n]	CI: Main setpoint / Main setpoint		
G120C CAN	Access level: 3	Calculated: -	Data type: U32 / FloatingPoint32
G120C USS/MB	Can be changed: T	Scaling: p2000	Data set: CDS, p0170
	Units group: -	Unit selection: -	
	Min -	Max -	Factory setting [0] 755[0] [1] 0
Description:	Sets the signal source for the main setpoint. Examples: r1024: Fixed speed setpoint effective r1050: Motor. potentiometer setpoint after the ramp-function generator		
Dependency:	Refer to: p1071, r1073, r1078		
Notice:	The parameter may be protected as a result of p0922 or p2079 and cannot be changed.		
p1070[0...n]	CI: Main setpoint / Main setpoint		
G120C DP	Access level: 3	Calculated: -	Data type: U32 / FloatingPoint32
	Can be changed: T	Scaling: p2000	Data set: CDS, p0170
	Units group: -	Unit selection: -	
	Min -	Max -	Factory setting [0] 2050[1] [1] 0
Description:	Sets the signal source for the main setpoint. Examples: r1024: Fixed speed setpoint effective r1050: Motor. potentiometer setpoint after the ramp-function generator		
Dependency:	Refer to: p1071, r1073, r1078		
Notice:	The parameter may be protected as a result of p0922 or p2079 and cannot be changed.		
p1071[0...n]	CI: Main setpoint scaling / Main setp scal		
	Access level: 3	Calculated: -	Data type: U32 / FloatingPoint32
	Can be changed: T	Scaling: PERCENT	Data set: CDS, p0170
	Units group: -	Unit selection: -	
	Min -	Max -	Factory setting 1
Description:	Sets the signal source for scaling the main setpoint.		

r1073	CO: Main setpoint effective / Main setpoint eff		
	Access level: 3	Calculated: -	Data type: FloatingPoint32
	Can be changed: -	Scaling: p2000	Data set: -
	Units group: 3_1	Unit selection: p0505	
	Min - [rpm]	Max - [rpm]	Factory setting - [rpm]
Description:	Displays the effective main setpoint. The value shown is the main setpoint after scaling.		
p1075[0...n]	CI: Suppl setpoint / Suppl setpoint		
	Access level: 3	Calculated: -	Data type: U32 / FloatingPoint32
	Can be changed: T	Scaling: p2000	Data set: CDS, p0170
	Units group: -	Unit selection: -	
	Min -	Max -	Factory setting 0
Description:	Sets the signal source for the supplementary setpoint.		
Dependency:	Refer to: p1076, r1077, r1078		
p1076[0...n]	CI: Supplementary setpoint scaling / Suppl setp scal		
	Access level: 3	Calculated: -	Data type: U32 / FloatingPoint32
	Can be changed: T	Scaling: PERCENT	Data set: CDS, p0170
	Units group: -	Unit selection: -	
	Min -	Max -	Factory setting 1
Description:	Sets the signal source for scaling the supplementary setpoint.		
r1077	CO: Supplementary setpoint effective / Suppl setpoint eff		
	Access level: 3	Calculated: -	Data type: FloatingPoint32
	Can be changed: -	Scaling: p2000	Data set: -
	Units group: 3_1	Unit selection: p0505	
	Min - [rpm]	Max - [rpm]	Factory setting - [rpm]
Description:	Displays the effective supplementary setpoint. The value shown is the additional setpoint after scaling.		
r1078	CO: Total setpoint effective / Total setpoint eff		
	Access level: 3	Calculated: -	Data type: FloatingPoint32
	Can be changed: -	Scaling: p2000	Data set: -
	Units group: 3_1	Unit selection: p0505	
	Min - [rpm]	Max - [rpm]	Factory setting - [rpm]
Description:	Displays the total effective setpoint. The value indicates the sum of the effective main setpoint and supplementary setpoint.		

p1080[0...n]	Minimum speed / n_min		
	Access level: 1	Calculated: -	Data type: FloatingPoint32
	Can be changed: C(1), T	Scaling: -	Data set: DDS, p0180
	Units group: 3_1	Unit selection: p0505	
	Min 0.000 [rpm]	Max 19500.000 [rpm]	Factory setting 0.000 [rpm]
Description:	Sets the lowest possible motor speed. This value is not undershot in operation.		
Note:	The parameter value applies for both motor directions. In exceptional cases, the motor can operate below this value (e.g. when reversing).		
p1082[0...n]	Maximum speed / n_max		
	Access level: 1	Calculated: p0340 = 1	Data type: FloatingPoint32
	Can be changed: C(1), T	Scaling: -	Data set: DDS, p0180
	Units group: 3_1	Unit selection: p0505	
	Min 0.000 [rpm]	Max 210000.000 [rpm]	Factory setting 1500.000 [rpm]
Description:	Sets the highest possible speed.		
Dependency:	Refer to: p0230, p0322		
Notice:	After the value has been modified, no further parameter modifications can be made and the status is shown in r3996. Modifications can be made again when r3996 = 0.		
Note:	The parameter applies for both motor directions. The parameter has a limiting effect and is the reference quantity for all ramp-up and ramp-down times (e.g. down ramps, ramp-function generator, motor potentiometer). Since the parameter is part of quick commissioning (p0010 = 1), it is defined appropriately when p0310, p0311, and p0322 are changed. The following limits are always effective for p1082: $p1082 \leq 60 \times \text{maximum}(15 \times r0310, 650 \text{ Hz}) / \text{pole pair number}$ $p1082 \leq 60 \times \text{maximum power unit pulse frequency} / (k \times \text{pole pair number}), \text{ with } k = 12 \text{ (vector control)}, k = 6.5 \text{ (U/f control)}$ If a sine-wave filter (p0230 = 3) is parameterized as output filter, then the maximum speed is limited corresponding to the maximum permissible filter output frequency (refer to the filter data sheet). For reactors and dU/dt filters, it is limited to 120 Hz / pole pair number. During automatic calculation (p0340 = 1, p3900 > 0), the parameter value is assigned the maximum motor speed (p0322). If p0322 = 0, the rated motor speed (p0311) is used as default (pre-assignment) value. For induction motors, the synchronous no-load speed is used as the default value (p0310 x 60 / pole pair number). For synchronous motors, the following additionally applies: During automatic calculation (p0340, p3900), p1082 is limited to speeds where the EMF does not exceed the DC link voltage. p1082 is also available in the quick commissioning (p0010 = 1); this means that when exiting via p3900 > 0, the value is not changed. For vector control, the maximum speed is restricted to 60.0 / (8.333 x 500 μs x pole pair number). This can be identified by a reduction in r1084. p1082 is not changed in this process due to the fact that the operating mode p1300 can be changed over. When using sine-wave filters (p0230 = 3, 4), the maximum speed r1084 is limited to 70% of the resonant frequency of the filter capacitance and the motor leakage inductance.		
p1083[0...n]	CO: Speed limit in positive direction of rotation / n_limit pos		
	Access level: 3	Calculated: -	Data type: FloatingPoint32
	Can be changed: U, T	Scaling: p2000	Data set: DDS, p0180
	Units group: 3_1	Unit selection: p0505	
	Min 0.000 [rpm]	Max 210000.000 [rpm]	Factory setting 210000.000 [rpm]
Description:	Sets the maximum speed for the positive direction.		
Notice:	A BICO interconnection to a parameter that belongs to a drive data set always acts on the effective data set.		

r1084	CO: Speed limit positive effective / n_limit pos eff		
	Access level: 3	Calculated: -	Data type: FloatingPoint32
	Can be changed: -	Scaling: p2000	Data set: -
	Units group: 3_1	Unit selection: p0505	
	Min - [rpm]	Max - [rpm]	Factory setting - [rpm]
Description:	Displays the effective positive speed limit.		
Dependency:	Refer to: p1082, p1083		
p1086[0...n]	CO: Speed limit in negative direction of rotation / n_limit neg		
	Access level: 3	Calculated: -	Data type: FloatingPoint32
	Can be changed: U, T	Scaling: p2000	Data set: DDS, p0180
	Units group: 3_1	Unit selection: p0505	
	Min -210000.000 [rpm]	Max 0.000 [rpm]	Factory setting -210000.000 [rpm]
Description:	Sets the speed limit for the negative direction.		
Notice:	A BICO interconnection to a parameter that belongs to a drive data set always acts on the effective data set.		
r1087	CO: Speed limit negative effective / n_limit neg eff		
	Access level: 3	Calculated: -	Data type: FloatingPoint32
	Can be changed: -	Scaling: p2000	Data set: -
	Units group: 3_1	Unit selection: p0505	
	Min - [rpm]	Max - [rpm]	Factory setting - [rpm]
Description:	Displays the effective negative speed limit.		
Dependency:	Refer to: p1082, p1086		
p1091[0...n]	Skip speed 1 / n_skip 1		
	Access level: 3	Calculated: -	Data type: FloatingPoint32
	Can be changed: U, T	Scaling: p2000	Data set: DDS, p0180
	Units group: 3_1	Unit selection: p0505	
	Min 0.000 [rpm]	Max 210000.000 [rpm]	Factory setting 0.000 [rpm]
Description:	Sets skip speed 1.		
Dependency:	Refer to: p1092, p1101		
Notice:	Skip bandwidths can also become ineffective as a result of the downstream limits in the setpoint channel.		
Note:	The skip (suppression) speeds can be used to prevent the effects of mechanical resonance.		
p1092[0...n]	Skip speed 2 / n_skip 2		
	Access level: 3	Calculated: -	Data type: FloatingPoint32
	Can be changed: U, T	Scaling: p2000	Data set: DDS, p0180
	Units group: 3_1	Unit selection: p0505	
	Min 0.000 [rpm]	Max 210000.000 [rpm]	Factory setting 0.000 [rpm]
Description:	Sets skip speed 2.		
Dependency:	Refer to: p1091, p1101		
Notice:	Skip bandwidths can also become ineffective as a result of the downstream limits in the setpoint channel.		

p1101[0...n]	Skip speed bandwidth / n_skip bandwidth		
	Access level: 3	Calculated: -	Data type: FloatingPoint32
	Can be changed: U, T	Scaling: p2000	Data set: DDS, p0180
	Units group: 3_1	Unit selection: p0505	
	Min 0.000 [rpm]	Max 210000.000 [rpm]	Factory setting 0.000 [rpm]
Description:	Sets the bandwidth for the skip speeds/velocities 1 to 4.		
Dependency:	Refer to: p1091, p1092		
Note:	The setpoint (reference) speeds are skipped (suppressed) in the range of the skip speed +/-p1101. Steady-state operation is not possible in the skipped (suppressed) speed range. The skip (suppression) range is skipped. Example: p1091 = 600 and p1101 = 20 --> setpoint speeds between 580 and 620 [rpm] are skipped. For the skip bandwidths, the following hysteresis behavior applies: For a setpoint speed coming from below, the following applies: r1170 < 580 [rpm] and 580 [rpm] <= r1114 <= 620 [rpm] --> r1119 = 580 [rpm] For a setpoint speed coming from above, the following applies: r1170 > 620 [rpm] and 580 [rpm] <= r1114 <= 620 [rpm] --> r1119 = 620 [rpm]		
p1110[0...n]	BI: Inhibit negative direction / Inhib neg dir		
	Access level: 3	Calculated: -	Data type: U32 / Binary
	Can be changed: T	Scaling: -	Data set: CDS, p0170
	Units group: -	Unit selection: -	
	Min -	Max -	Factory setting 0
Description:	Sets the signal source to disable the negative direction.		
Dependency:	Refer to: p1111		
p1111[0...n]	BI: Inhibit positive direction / Inhib pos dir		
	Access level: 4	Calculated: -	Data type: U32 / Binary
	Can be changed: T	Scaling: -	Data set: CDS, p0170
	Units group: -	Unit selection: -	
	Min -	Max -	Factory setting 0
Description:	Sets the signal source to disable the positive direction.		
Dependency:	Refer to: p1110		
r1112	CO: Speed setpoint after minimum limiting / n_set n. min_lim		
	Access level: 4	Calculated: -	Data type: FloatingPoint32
	Can be changed: -	Scaling: p2000	Data set: -
	Units group: 3_1	Unit selection: p0505	
	Min - [rpm]	Max - [rpm]	Factory setting - [rpm]
Description:	Displays the speed setpoint after the minimum limiting.		
Dependency:	Refer to: p1091, p1092, p1101		

p1113[0...n]	BI: Setpoint inversion / Setp inv		
G120C CAN	Access level: 3	Calculated: -	Data type: U32 / Binary
G120C USS/MB	Can be changed: T	Scaling: -	Data set: CDS, p0170
	Units group: -	Unit selection: -	
	Min -	Max -	Factory setting [0] 722.1 [1] 0
Description:	Sets the signal source to invert the setpoint.		
Dependency:	Refer to: r1198		
Caution:	If the technology controller is being used as the speed main setpoint (p2251 = 0), do not invert the setpoint using p1113 when the technology controller is enabled because this can cause the speed to change suddenly and lead to positive couplings in the control loop.		
			
Notice:	The parameter may be protected as a result of p0922 or p2079 and cannot be changed.		
p1113[0...n]	BI: Setpoint inversion / Setp inv		
G120C DP	Access level: 3	Calculated: -	Data type: U32 / Binary
	Can be changed: T	Scaling: -	Data set: CDS, p0170
	Units group: -	Unit selection: -	
	Min -	Max -	Factory setting [0] 2090.11 [1] 0
Description:	Sets the signal source to invert the setpoint.		
Dependency:	Refer to: r1198		
Caution:	If the technology controller is being used as the speed main setpoint (p2251 = 0), do not invert the setpoint using p1113 when the technology controller is enabled because this can cause the speed to change suddenly and lead to positive couplings in the control loop.		
			
Notice:	The parameter may be protected as a result of p0922 or p2079 and cannot be changed.		
r1114	CO: Setpoint after the direction limiting / Setp after limit		
	Access level: 3	Calculated: -	Data type: FloatingPoint32
	Can be changed: -	Scaling: p2000	Data set: -
	Units group: 3_1	Unit selection: p0505	
	Min - [rpm]	Max - [rpm]	Factory setting - [rpm]
Description:	Displays the speed/velocity setpoint after the changeover and limiting the direction.		
r1119	CO: Ramp-function generator setpoint at the input / RFG setp at inp		
	Access level: 3	Calculated: -	Data type: FloatingPoint32
	Can be changed: -	Scaling: p2000	Data set: -
	Units group: 3_1	Unit selection: p0505	
	Min - [rpm]	Max - [rpm]	Factory setting - [rpm]
Description:	Displays the setpoint at the input of the ramp-function generator.		
Notice:	The parameter may be protected as a result of p0922 or p2079 and cannot be changed.		
Note:	The setpoint is influenced by other functions, e.g. skip (suppressed) speeds, minimum and maximum limits.		

p1120[0...n]	Ramp-function generator ramp-up time / RFG ramp-up time		
	Access level: 1	Calculated: -	Data type: FloatingPoint32
	Can be changed: C(1), U, T	Scaling: -	Data set: DDS, p0180
	Units group: -	Unit selection: -	
	Min 0.000 [s]	Max 999999.000 [s]	Factory setting 10.000 [s]
Description:	The ramp-function generator ramps-up the speed setpoint from standstill (setpoint = 0) up to the maximum speed (p1082) in this time.		
Dependency:	Refer to: p1082		
Note:	The parameter is adapted during the rotating measurement (p1960 > 0). This is the reason that during the rotating measurement, the motor can accelerate faster than was originally parameterized. For U/f control and sensorless vector control (see p1300), ramp-up times of 0 s are not expedient. The setting should be based on the startup times (r0345) of the motor.		
p1121[0...n]	Ramp-function generator ramp-down time / RFG ramp-down time		
	Access level: 1	Calculated: -	Data type: FloatingPoint32
	Can be changed: C(1), U, T	Scaling: -	Data set: DDS, p0180
	Units group: -	Unit selection: -	
	Min 0.000 [s]	Max 999999.000 [s]	Factory setting 10.000 [s]
Description:	The ramp-function generator ramps-down the speed setpoint from the maximum speed (p1082) down to standstill (setpoint = 0) in this time. Further, the ramp-down time is always effective for OFF1.		
Dependency:	Refer to: p1082		
Note:	For U/f control and sensorless vector control (see p1300), ramp-down times of 0 s are not recommended. The setting should be based on the startup times (r0345) of the motor.		
p1130[0...n]	Ramp-function generator initial rounding-off time / RFG t_start_round		
	Access level: 2	Calculated: -	Data type: FloatingPoint32
	Can be changed: U, T	Scaling: -	Data set: DDS, p0180
	Units group: -	Unit selection: -	
	Min 0.000 [s]	Max 30.000 [s]	Factory setting 0.000 [s]
Description:	Sets the initial rounding-off time for the extended ramp generator. The value applies to ramp-up and ramp-down.		
Note:	Rounding-off times avoid an abrupt response and prevent damage to the mechanical system.		
p1131[0...n]	Ramp-function generator final rounding-off time / RFG t_end_delay		
	Access level: 2	Calculated: -	Data type: FloatingPoint32
	Can be changed: U, T	Scaling: -	Data set: DDS, p0180
	Units group: -	Unit selection: -	
	Min 0.000 [s]	Max 30.000 [s]	Factory setting 0.000 [s]
Description:	Sets the final rounding-off time for the extended ramp generator. The value applies to ramp-up and ramp-down.		
Note:	Rounding-off times avoid an abrupt response and prevent damage to the mechanical system.		

p1134[0...n]	Ramp-function generator rounding-off type / RFG round-off type		
	Access level: 2	Calculated: -	Data type: Integer16
	Can be changed: U, T	Scaling: -	Data set: DDS, p0180
	Units group: -	Unit selection: -	
	Min 0	Max 1	Factory setting 0
Description:	Sets the smoothed response to the OFF1 command or the reduced setpoint for the extended ramp-function generator.		
Value:	0: Cont. smoothing 1: Discont smoothing		
Dependency:	No effect up to initial rounding-off time (p1130) > 0 s.		
Note:	p1134 = 0 (continuous smoothing) If the setpoint is reduced while ramping-up, initially a final rounding-off is carried out and then the ramp-up completed. During the final rounding-off, the output of the ramp-function generator continues to go in the direction of the previous setpoint (overshoot). After the final rounding-off has been completed, the output goes toward the new setpoint. p1134 = 1 (discontinuous smoothing) If the setpoint is reduced while ramping-up, then the output goes immediately in the direction of the new setpoint. For the setpoint change there is no rounding-off.		
p1135[0...n]	OFF3 ramp-down time / OFF3 t_RD		
	Access level: 2	Calculated: -	Data type: FloatingPoint32
	Can be changed: C(1), U, T	Scaling: -	Data set: DDS, p0180
	Units group: -	Unit selection: -	
	Min 0.000 [s]	Max 5400.000 [s]	Factory setting 0.000 [s]
Description:	Sets the ramp-down time from the maximum speed down to zero speed for the OFF3 command.		
Note:	This time can be exceeded if the DC link voltage reaches its maximum value.		
p1136[0...n]	OFF3 initial rounding-off time / RFG OFF3 t_strt_rnd		
	Access level: 3	Calculated: -	Data type: FloatingPoint32
	Can be changed: U, T	Scaling: -	Data set: DDS, p0180
	Units group: -	Unit selection: -	
	Min 0.000 [s]	Max 30.000 [s]	Factory setting 0.000 [s]
Description:	Sets the initial rounding-off time for OFF3 for the extended ramp generator.		
p1137[0...n]	OFF3 final rounding-off time / RFG OFF3 t_end_del		
	Access level: 3	Calculated: -	Data type: FloatingPoint32
	Can be changed: U, T	Scaling: -	Data set: DDS, p0180
	Units group: -	Unit selection: -	
	Min 0.000 [s]	Max 30.000 [s]	Factory setting 0.000 [s]
Description:	Sets the final rounding-off time for OFF3 for the extended ramp generator.		

p1140[0...n] BI: Enable ramp-function generator/inhibit ramp-function generator / RFG enable

G120C CAN	Access level: 3	Calculated: -	Data type: U32 / Binary
G120C USS/MB	Can be changed: T	Scaling: -	Data set: CDS, p0170
	Units group: -	Unit selection: -	

Min	Max	Factory setting
-	-	1

Description: Sets the signal source for the command "enable ramp-function generator/inhibit ramp-function generator". For the PROFIdrive profile, this command corresponds to control word 1 bit 4 (STW1.4).
 BI: p1140 = 0 signal:
 Inhibits the ramp-function generator (the ramp-function generator output is set to zero).
 BI: p1140 = 1 signal:
 Enables the ramp-function generator.

Dependency: Refer to: r0054, p1141, p1142

Caution: When "master control from PC" is activated, this binector input is ineffective.



Notice: The parameter may be protected as a result of p0922 or p2079 and cannot be changed.

p1140[0...n] BI: Enable ramp-function generator/inhibit ramp-function generator / RFG enable

G120C DP	Access level: 3	Calculated: -	Data type: U32 / Binary
	Can be changed: T	Scaling: -	Data set: CDS, p0170
	Units group: -	Unit selection: -	

Min	Max	Factory setting
-	-	[0] 2090.4 [1] 1


Description: Sets the signal source for the command "enable ramp-function generator/inhibit ramp-function generator". For the PROFIdrive profile, this command corresponds to control word 1 bit 4 (STW1.4).
 BI: p1140 = 0 signal:
 Inhibits the ramp-function generator (the ramp-function generator output is set to zero).
 BI: p1140 = 1 signal:
 Enables the ramp-function generator.


Dependency: Refer to: r0054, p1141, p1142

Caution: When "master control from PC" is activated, this binector input is ineffective.



Notice: The parameter may be protected as a result of p0922 or p2079 and cannot be changed.

p1141[0...n]	BI: Continue ramp-function generator/freeze ramp-function generator / Continue RFG		
G120C CAN	Access level: 3	Calculated: -	Data type: U32 / Binary
G120C USS/MB	Can be changed: T	Scaling: -	Data set: CDS, p0170
	Units group: -	Unit selection: -	
	Min	Max	Factory setting
	-	-	1
Description:	Sets the signal source for the command "continue ramp-function generator/freeze ramp-function generator". For the PROFIdrive profile, this command corresponds to control word 1 bit 5 (STW1.5). BI: p1141 = 0 signal: Freezes the ramp-function generator. BI: p1141 = 1 signal: Continues the ramp-function generator.		
Dependency:	Refer to: r0054, p1140, p1142		
Caution:	When "master control from PC" is activated, this binector input is ineffective.		
			
Notice:	The ramp-function generator is, independent of the state of the signal source, active in the following cases: - OFF1/OFF3. - ramp-function generator output within the suppression bandwidth. - ramp-function generator output below the minimum speed.		

p1141[0...n]	BI: Continue ramp-function generator/freeze ramp-function generator / Continue RFG		
G120C DP	Access level: 3	Calculated: -	Data type: U32 / Binary
	Can be changed: T	Scaling: -	Data set: CDS, p0170
	Units group: -	Unit selection: -	
	Min	Max	Factory setting
	-	-	[0] 2090.5 [1] 1
Description:	Sets the signal source for the command "continue ramp-function generator/freeze ramp-function generator". For the PROFIdrive profile, this command corresponds to control word 1 bit 5 (STW1.5). BI: p1141 = 0 signal: Freezes the ramp-function generator. BI: p1141 = 1 signal: Continues the ramp-function generator.		
Dependency:	Refer to: r0054, p1140, p1142		
Caution:	When "master control from PC" is activated, this binector input is ineffective.		
			
Notice:	The ramp-function generator is, independent of the state of the signal source, active in the following cases: - OFF1/OFF3. - ramp-function generator output within the suppression bandwidth. - ramp-function generator output below the minimum speed.		

p1142[0...n]	BI: Enable setpoint/inhibit setpoint / Setpoint enable		
G120C CAN	Access level: 3	Calculated: -	Data type: U32 / Binary
G120C USS/MB	Can be changed: T	Scaling: -	Data set: CDS, p0170
	Units group: -	Unit selection: -	
	Min	Max	Factory setting
	-	-	1

Description: Sets the signal source for the command "enable setpoint/inhibit setpoint".
For the PROFIdrive profile, this command corresponds to control word 1 bit 6 (STW1.6).
BI: p1142 = 0 signal
Inhibits the setpoint (the ramp-function generator input is set to zero).
BI: p1142 = 1 signal
Enables the setpoint.

Dependency: Refer to: p1140, p1141

Caution: When "master control from PC" is activated, this binector input is ineffective.



Notice: The parameter may be protected as a result of p0922 or p2079 and cannot be changed.

p1142[0...n]	BI: Enable setpoint/inhibit setpoint / Setpoint enable		
G120C DP	Access level: 3	Calculated: -	Data type: U32 / Binary
	Can be changed: T	Scaling: -	Data set: CDS, p0170
	Units group: -	Unit selection: -	
	Min	Max	Factory setting
	-	-	[0] 2090.6 [1] 1

Description: Sets the signal source for the command "enable setpoint/inhibit setpoint".
For the PROFIdrive profile, this command corresponds to control word 1 bit 6 (STW1.6).
BI: p1142 = 0 signal
Inhibits the setpoint (the ramp-function generator input is set to zero).
BI: p1142 = 1 signal
Enables the setpoint.

Dependency: Refer to: p1140, p1141

Caution: When "master control from PC" is activated, this binector input is ineffective.



Notice: The parameter may be protected as a result of p0922 or p2079 and cannot be changed.

r1149	CO: Ramp-function generator, acceleration / RFG acceleration		
	Access level: 3	Calculated: -	Data type: FloatingPoint32
	Can be changed: -	Scaling: p2007	Data set: -
	Units group: 39_1	Unit selection: p0505	
	Min	Max	Factory setting
	- [rev/s ²]	- [rev/s ²]	- [rev/s ²]

Description: Displays the acceleration of the ramp-function generator.



r1150	CO: Ramp-function generator speed setpoint at the output / RFG n_set at outp		
	Access level: 4	Calculated: -	Data type: FloatingPoint32
	Can be changed: -	Scaling: p2000	Data set: -
	Units group: 3_1	Unit selection: p0505	
	Min - [rpm]	Max - [rpm]	Factory setting - [rpm]
Description:	Displays the setpoint at the output of the ramp-function generator.		

r1170	CO: Speed controller, setpoint sum / n_ctrl setp sum		
	Access level: 3	Calculated: -	Data type: FloatingPoint32
	Can be changed: -	Scaling: p2000	Data set: -
	Units group: 3_1	Unit selection: p0505	
	Min - [rpm]	Max - [rpm]	Factory setting - [rpm]
Description:	Displays the speed setpoint.		
Dependency:	Refer to: r1150		

r1198.0...15	CO/BO: Control word setpoint channel / STW setpoint chan		
	Access level: 3	Calculated: -	Data type: Unsigned16
	Can be changed: -	Scaling: -	Data set: -
	Units group: -	Unit selection: -	
	Min -	Max -	Factory setting -
Description:	Displays the control word for the setpoint channel.		

Bit field:	Bit	Signal name	1 signal	0 signal	FP
	00	Fixed setp bit 0	Yes	No	3010
	01	Fixed setp bit 1	Yes	No	3010
	02	Fixed setp bit 2	Yes	No	3010
	03	Fixed setp bit 3	Yes	No	3010
	05	Inhibit negative direction	Yes	No	3040
	06	Inhibit positive direction	Yes	No	3040
	11	Setpoint inversion	Yes	No	3040
	13	Motorized potentiometer raise	Yes	No	3020
	14	Motorized potentiometer lower	Yes	No	3020
	15	Bypass ramp-function generator	Yes	No	3060, 3070

p1200[0...n]	FlyRest oper mode / FlyRest op_mode		
	Access level: 2	Calculated: -	Data type: Integer16
	Can be changed: U, T	Scaling: -	Data set: DDS, p0180
	Units group: -	Unit selection: -	
	Min	Max	Factory setting
	0	4	0
Description:	Sets the operating mode for flying restart. The flying restart allows the drive converter to be powered up while the motor is still rotating. In so doing, the drive converter output frequency is changed until the actual motor speed/velocity is found. The motor then accelerates up to the setpoint at the ramp-function generator setting.		
Value:	0: Flying restart inactive 1: Flying restart always active (start in setpoint direction) 4: Flying restart always active (start only in setpoint direction)		
Dependency:	For synchronous motors, flying restart cannot be activated. Refer to: p1201 Refer to: F07330, F07331		
Notice:	The "flying restart" function must be used in cases where the motor may still be running (e.g. after a brief line supply interruption) or is being driven by the load. The system might otherwise shut down as a result of overcurrent.		
Note:	When p1200 = 1, 4: Flying restart is active after faults, OFF1, OFF2, OFF3. When p1200 = 1: The search is made in both directions. When p1200 = 4: The search is only made in the setpoint direction. For U/f control (p1300 < 20), the following applies: The speed can only be sensed for values above approx. 5 % of the rated motor speed. For lower speeds, it is assumed that the motor is at a standstill. If p1200 is changed during commissioning (p0010 > 0), then it is possible that the old value will no longer be able to be set. The reason for this is that the dynamic limits of p1200 have been changed by a parameter that was set when the drive was commissioned (e.g. p0300).		
p1201[0...n]	BI: Flying restart enable signal source / Fly_res enab S_src		
	Access level: 3	Calculated: -	Data type: U32 / Binary
	Can be changed: T	Scaling: -	Data set: CDS, p0170
	Units group: -	Unit selection: -	
	Min	Max	Factory setting
	-	-	1
Description:	Sets the signal source to enable the "flying restart" function.		
Dependency:	Refer to: p1200		
Note:	Withdrawing the enable signal has the same effect as setting p1200 = 0.		

p1202[0...n]	FlyRest srch curr / FlyRest I_srch		
	Access level: 3	Calculated: -	Data type: FloatingPoint32
	Can be changed: U, T	Scaling: -	Data set: DDS, p0180
	Units group: -	Unit selection: -	
	Min 10 [%]	Max 400 [%]	Factory setting 100 [%]
Description:	Sets the search current for the "flying restart" function. The value is referred to the motor magnetizing current.		
Dependency:	Refer to: r0331		
Caution:	An unfavorable parameter value can result in the motor behaving in an uncontrollable fashion.		
			
Note:	In U/f control mode, the parameter serves as a threshold value for establishing the current at the beginning of the flying restart function. When the threshold value is reached, the prevailing search current is set dependent upon the frequency on the basis of voltage inputs. Reducing the search current can also improve flying restart performance (if the system moment of inertia is not very high, for example).		
p1203[0...n]	Flying restart search rate factor / FlyRst v_Srch Fact		
	Access level: 3	Calculated: -	Data type: FloatingPoint32
	Can be changed: U, T	Scaling: -	Data set: DDS, p0180
	Units group: -	Unit selection: -	
	Min 10 [%]	Max 4000 [%]	Factory setting 100 [%]
Description:	The value influences the rate at which the output frequency is changed during a flying restart . A higher value results in a longer search time.		
Caution:	An unfavorable parameter value can result in the motor behaving in an uncontrollable fashion. For vector control, a value that is too low or too high can cause flying restart to become unstable.		
			
Note:	The parameter factory setting is selected so that standard induction motors that are rotating can be found and restarted as quickly as possible (fast flying restart). With this pre-setting, if the motor is not found (e.g. for motors that are accelerated as a result of active loads or with U/f control and low speeds), we recommend that the search rate is reduced (by increasing p1203).		
p1206[0...9]	Set the fault number without automatic restart / Fault_No w/o AR		
	Access level: 3	Calculated: -	Data type: Unsigned16
	Can be changed: U, T	Scaling: -	Data set: -
	Units group: -	Unit selection: -	
	Min 0	Max 65535	Factory setting 0
Description:	Selects the faults for which automatic restart should not be effective.		
Dependency:	The setting is only effective for p1210 = 6, 16. Refer to: p1210		

p1210**Automatic restart, mode / AR mode**

Access level: 2	Calculated: -	Data type: Integer16
Can be changed: U, T	Scaling: -	Data set: -
Units group: -	Unit selection: -	
Min 0	Max 26	Factory setting 0

Description:

Sets the automatic restart mode (AR).

The parameters must be saved in the non-volatile memory p0971 = 1 in order that the setting becomes effective.

Value:

- 0: Inhibit automatic restart
- 1: Acknowledge all faults without restarting
- 4: Restart after line supply failure w/o additional start attempts
- 6: Restart after fault with additional start attempts
- 14: Restart after line supply failure following man. acknowledgment
- 16: Restart after fault following manual acknowledgment
- 26: Acknowledging all faults and reclosing for an ON command

Dependency:

The automatic restart requires an active ON command (e.g., via a digital input). If, for p1210 > 1, there is no active ON command, then the automatic restart is interrupted.

When using an Operator Panel in the LOCAL mode, then there is no automatic start.

For p1210 = 14, 16, a manual acknowledgement is required for an automatic restart.

For p1210 = 26, the ON command can also be entered with a delay. After the line supply returns or acknowledging a fault, the restart waits for an ON command. The maximum wait time is specified using p1213[0].

Refer to: p0840

Refer to: F30003

Danger:

If the automatic restart is activated (p1210 > 1) if there is an ON command (refer to p0840), the drive is powered up as soon as any fault messages that are present can be acknowledged. This also occurs after the line supply returns or the Control Unit boots if the DC link voltage is present again. This automatic power-up sequence can only be interrupted by withdrawing the ON command.

Caution:

A change is only accepted and made in the state "initialization" and "wait for alarm". When faults are present, therefore, the parameter cannot be changed.

For p1210 > 1, the motor is automatically started.

Note:

Re p1210 = 1:

Faults that are present are automatically acknowledged. If new faults occur after a successful fault acknowledgment, then these are also automatically acknowledged again. p1211 has no influence on the number of acknowledgment attempts.

Re p1210 = 4:

An automatic restart is only performed if fault F30003 has occurred on the power unit. If additional faults are present, then these faults are also acknowledged and when successful, starting continues. If the 24 V Control Unit power supply fails, then this is interpreted as a line supply failure.

Re p1210 = 6:

An automatic restart is carried out if any fault has occurred.

Re p1210 = 14:

As for p1210 = 4. However, faults that are present must be manually acknowledged.

Re p1210 = 16:

As for p1210 = 6. However, faults that are present must be manually acknowledged.

Re p1210 = 26:

As for p1210 = 6. However, at the time that the fault is acknowledged or at power on, a switch-on command is not necessary. This can be set with a time delay. The drive is switched-on again as soon as the switch-on command is set. The restart can be interrupted with either OFF2 or OFF3.

p1211 Automatic restart, start attempts / AR start attempts			
	Access level: 3	Calculated: -	Data type: Unsigned16
	Can be changed: U, T	Scaling: -	Data set: -
	Units group: -	Unit selection: -	
	Min 0	Max 10	Factory setting 3
Description:	Sets the start attempts of the automatic restart function for p1210 = 4, 6, 14, 16, 26.		
Dependency:	Refer to: p1210 Refer to: F07320		
Caution:	A change is only accepted and made in the state "initialization" and "wait for alarm".		
Notice:	After fault F07320 occurs, the power-on command must be withdrawn and all of the faults acknowledged so that the automatic restart function is re-activated. After a complete power failure the start counter always starts with the counter value that applied before the power failure, and decrements this start attempt by 1. If a further attempt to acknowledge is started by the automatic restart function prior to power failure, e.g. when the CU remains active on power failure longer than the time p1212 / 2, the fault counter will already have been decremented once. In this case, the start counter is thus decreased by the value 2.		
Note:	A start attempt starts immediately when a fault occurs. The start attempt is considered to be completed if the motor was magnetized (r0056.4 = 1) and an additional delay time of 1 s has expired. As long as a fault is present, an acknowledge command is generated in the time intervals of p1212 / 2. When successfully acknowledged, the start counter is decremented. If, after this, a fault re-occurs before a restart has been completed, then acknowledgement starts again from the beginning. Fault F07320 is output if, after several faults occur, the number of parameterized start attempts has been reached. After a successful start attempt, i.e. a fault/error has no longer occurred up to the end of the magnetizing phase, the start counter is again reset to the parameter value after 1 s. If a fault re-occurs - the parameterized number of start attempts is again available. At least one start attempt is always carried out. After a line supply failure, acknowledgement is immediate and when the line supply returns, the system is powered up. If, between successfully acknowledging the line fault and the line supply returning, another fault occurs, then its acknowledgement also causes the start counter to be decremented. For p1210 = 26, the start counter is decremented if after a successful fault acknowledgement, the on command is present.		
p1212 Automatic restart, delay time start attempts / AR t_wait start			
	Access level: 3	Calculated: -	Data type: FloatingPoint32
	Can be changed: U, T	Scaling: -	Data set: -
	Units group: -	Unit selection: -	
	Min 0.1 [s]	Max 1000.0 [s]	Factory setting 1.0 [s]
Description:	Sets the delay time up to restart.		
Dependency:	This parameter setting is active for p1210 = 4, 6, 26. For p1210 = 1, the following applies: Faults are only automatically acknowledged in half of the delay time, no restart. Refer to: p1210		
Caution:	A change is only accepted and made in the state "initialization" and "wait for alarm".		
Note:	The faults are automatically acknowledged after half of the delay time has expired and the full delay time. If the cause of a fault is not removed in the first half of the delay time, then it is no longer possible to acknowledge in the delay time.		


p1213[0...1] Automatic restart, monitoring time / AR t_monitoring			
Access level: 3	Calculated: -	Data type: FloatingPoint32	
Can be changed: U, T	Scaling: -	Data set: -	
Units group: -	Unit selection: -		
Min 0.0 [s]	Max 10000.0 [s]	Factory setting [0] 60.0 [s] [1] 0.0 [s]	
Description:	Sets the monitoring time of the automatic restart (AR).		
Index:	[0] = For restart [1] = To reset the start counter		
Dependency:	Refer to: p1210		
Caution:	A change is only accepted and made in the state "initialization" and "wait for alarm".		
Notice:	After fault F07320 occurs, the power-on command must be withdrawn and all of the faults acknowledged so that the automatic restart function is re-activated.		
Note:	<p>Index 0:</p> <p>The monitoring time starts when the faults are detected. If the automatic acknowledgements are not successful, the monitoring time runs again. If, after the monitoring time has expired, the drive has still not successfully started again (flying restart and magnetizing of the motor must have been completed: r0056.4 = 1), then fault F07320 is output. The monitoring is de-activated with p1213 = 0. If p1213 is set lower than the sum of p1212, the magnetizing time p0346 and the additional delay time due to the flying restart, then fault F07320 is generated at each restart. If, for p1210 = 1, the time in p1213 is set lower than in p1212, then fault F07320 is also generated at each restart. The monitoring time must be extended if the faults that occur cannot be immediately and successfully acknowledged (e.g. for faults that are permanently present). In the case of p1210 = 14, 16, the faults which are present must be acknowledged manually within the time in p1213 index 0. Otherwise, fault F07320 is generated after the set time.</p> <p>Index 1:</p> <p>The start counter is only reset to the starting value p1211 if, after successful restart, the time in p1213 index 1 has expired. The delay time is not effective for fault acknowledgement without automatic restart (p1210 = 1). After a power failure (blackout) the delay time only starts after the line supply returns and the Control Unit boots. The start counter is set to p1211, if F07320 occurred, the power-on command is withdrawn and the fault is acknowledged. The start counter is immediately updated if the starting value p1211 or the mode p1210 is changed. For p1210 = 26, the fault must have been successfully acknowledged and the switch-on command issued within the time in p1213, index 0. Otherwise, fault F07320 is generated after the set time.</p>		
p1215 Motor holding brake configuration / Brake config			
Access level: 2	Calculated: -	Data type: Integer16	
Can be changed: T	Scaling: -	Data set: -	
Units group: -	Unit selection: -		
Min 0	Max 3	Factory setting 0	
Description:	Sets the holding brake configuration.		
Value:	0: No motor holding brake being used 3: Motor holding brake like sequence control, connection via BICO		
Dependency:	Refer to: p1216, p1217		
Caution:	For the setting p1215 = 0, if a brake is used, it remains closed. If the motor moves, this will destroy the brake.		
Notice:	If p1215 was set to 1 or if p1215 was set to 3, then when the pulses are suppressed, the brake is closed even if the motor is still rotating. Pulse suppression can either be caused by a 0 signal at p0844, p0845 or p0852 or as a result of a fault with OFF2 response. If this is not desirable (e.g. for a flying restart), then the brake can be kept open using a 1 signal at p0855.		
Note:	<p>If a holding brake integrated in the motor is used, then it is not permissible that p1215 is set to 3.</p> <p>if an external motor holding brake is being used, then p1215 should be set to 3 and r0899.12 should be interconnected as control signal.</p> <p>The parameter can only be set to zero when the pulses are inhibited.</p>		

p1216	Motor holding brake, opening time / Brake t_{open}		
	Access level: 2	Calculated: -	Data type: FloatingPoint32
	Can be changed: U, T	Scaling: -	Data set: -
	Units group: -	Unit selection: -	
	Min 0 [ms]	Max 10000 [ms]	Factory setting 100 [ms]
Description:	Sets the time to open the motor holding brake. After the holding brake has been controlled (opened), the speed setpoint remains at zero for this time. After this, the speed setpoint is enabled.		
Dependency:	Refer to: p1215, p1217		
p1217	Motor holding brake closing time / Brake t_{close}		
	Access level: 2	Calculated: -	Data type: FloatingPoint32
	Can be changed: U, T	Scaling: -	Data set: -
	Units group: -	Unit selection: -	
	Min 0 [ms]	Max 10000 [ms]	Factory setting 100 [ms]
Description:	Sets the time to apply the motor holding brake. After OFF1 or OFF3 and the controlling (closing) of the holding brake, the drive remains stationary under closed-loop control for this time with a speed setpoint of zero. The pulses are suppressed when the time expires.		
Dependency:	Refer to: p1215, p1216		
Notice:	If the selected closing time is too short with respect to the actual closing time of the brake, then the load can sag. If the closing time is selected to be too long with respect to the actual closing time of the brake, the control works against the brake and therefore reduces its lifetime.		
p1230[0...n]	BI: DC braking activation / DC brake act		
	Access level: 2	Calculated: -	Data type: U32 / Binary
	Can be changed: U, T	Scaling: -	Data set: CDS, p0170
	Units group: -	Unit selection: -	
	Min -	Max -	Factory setting 0
Description:	Sets the signal source to activate DC braking.		
Dependency:	Refer to: p1231, p1232, p1233, p1234, r1239		
Note:	1 signal: DC braking activated. 0 signal: DC braking de-activated.		

p1231[0...n]	DC braking configuration / DCBRK config		
	Access level: 2	Calculated: -	Data type: Integer16
	Can be changed: U, T	Scaling: -	Data set: MDS
	Units group: -	Unit selection: -	
	Min	Max	Factory setting
	0	14	0
Description:	Setting to activate DC braking.		
Value:	0: No function 4: DC braking 5: DC braking for OFF1/OFF3 14: DC braking below starting speed		
Dependency:	Refer to: p0300, p1232, p1233, p1234, r1239		
Note:	<p>The function is activated as soon as the activation criterion is fulfilled.</p> <ul style="list-style-type: none"> - the function can be initiated by an OFF2 response. <p>Activation criterion (one of the following criteria is fulfilled):</p> <ul style="list-style-type: none"> - binector input p1230 = 1 signal (DC braking activation). - the drive is not in the state "S4: Operation" or in "S5x" (refer to function chart 2610). - the internal pulse enable is missing (r0046.19 = 0). <p>The function can only be used for induction motors (p0300 = 1). DC braking can only be withdrawn (p1231 = 0) if it is not being used as a fault response in p2101. Re p1231 = 5: DC braking can only be set for induction motors. DC braking is activated if the OFF1 or OFF3 command is present. Binector input p1230 is ineffective. If the drive speed still lies above the speed threshold p1234, then initially, the drive is ramped-down to this threshold, demagnetized (see p0347) and is then switched into DC braking for the time set in p1233. After this, the drive is switched-off. If, at OFF1, the drive speed is below p1234, then it is immediately demagnetized and switched into DC braking. A change is made into normal operation if the OFF1 command is withdrawn prematurely. Flying restart must be activated if the motor is still rotating. DC braking by means of fault response continues to be possible. Re p1231 = 14: In addition to the function for p1231 = 5, binector input p1230 is evaluated. DC braking is only automatically activated when the speed threshold p1234 is fallen below if binector input p1230 = 1 signal.</p> <p>Notice:</p> <p>This is also the case, if no OFF command is present. After demagnetization and after the time in p1233 has expired, the drive changes back into normal operation or is switched-off (for OFF1/OFF3). If a 0 signal is applied to binector input p1230, for OFF1 and OFF3 no DC braking is executed.</p> <p>Note:</p> <p>DCBRK: DC Braking</p>		

p1232[0...n]	DC braking, braking current / DCBRK I_brake			
	Access level: 2	Calculated: p0340 = 1	Data type: FloatingPoint32	
	Can be changed: U, T	Scaling: -	Data set: MDS	
	Units group: -	Unit selection: -		
	Min 0.00 [Arms]	Max 10000.00 [Arms]	Factory setting 0.00 [Arms]	
Description:	Sets the braking current for DC braking.			
Dependency:	Refer to: p1230, p1231, p1233, p1234, r1239, p1345, p1346			
Note:	<p>A change to the braking current becomes effective the next time that DC braking is switched-on.</p> <p>The value for p1232 is specified as an rms value in the 3-phase system. The magnitude of the braking current is the same as that of an identical output current at frequency zero (see r0067, r0068, p0640). The braking current is internally limited to r0067.</p> <p>For vector control, a current value of 1.4142 x p1232 is obtained in the output phase U. For U/f control, the phase angle is offset by -30 degrees to obtain a current measurement of 1.2247 x p1232 in output phase U.</p> <p>For the current controller, the settings of parameters p1345 and p1346 (I_max limiting controller) are used.</p>			
p1233[0...n]	DC braking time / DCBRK time			
	Access level: 2	Calculated: -	Data type: FloatingPoint32	
	Can be changed: U, T	Scaling: -	Data set: MDS	
	Units group: -	Unit selection: -		
	Min 0.0 [s]	Max 3600.0 [s]	Factory setting 1.0 [s]	
Description:	Sets the DC braking time (as fault response).			
Dependency:	Refer to: p1230, p1231, p1232, p1234, r1239			
p1234[0...n]	Speed at the start of DC braking / DCBRK n_start			
	Access level: 2	Calculated: -	Data type: FloatingPoint32	
	Can be changed: U, T	Scaling: -	Data set: MDS	
	Units group: -	Unit selection: -		
	Min 0.00 [rpm]	Max 210000.00 [rpm]	Factory setting 210000.00 [rpm]	
Description:	Sets the starting speed for DC braking.			
	If the actual speed falls below this threshold, then DC braking is activated.			
Dependency:	Refer to: p1230, p1231, p1232, p1233, r1239			
r1239.8...13	CO/BO: DC braking status word / DCBRK ZSW			
	Access level: 2	Calculated: -	Data type: Unsigned32	
	Can be changed: -	Scaling: -	Data set: -	
	Units group: -	Unit selection: -		
	Min -	Max -	Factory setting -	
Description:	Status word of the DC braking.			
Bit field:	Bit	Signal name	1 signal	0 signal
	08	DC braking active	Yes	No
	10	DC braking ready	Yes	No
	11	DC braking selected	Yes	No
	12	DC braking selection internally inhibited	Yes	No
	13	DC braking for OFF1/OFF3	Yes	No
Dependency:	Refer to: p1231, p1232, p1233, p1234			
Note:	Re bit 12, 13: Only effective for p1231 = 14.			

p1240[0...n]	Vdc controller or Vdc monitoring configuration (vector control) / Vdc_ctr config vec		
	Access level: 3	Calculated: -	Data type: Integer16
	Can be changed: U, T	Scaling: -	Data set: DDS, p0180
	Units group: -	Unit selection: -	
	Min 0	Max 3	Factory setting 1
Description:	Sets the controller configuration of the DC link voltage (Vdc controller) in the closed-loop control mode. For U/f control: see p1280.		
Value:	0: Inhib Vdc ctrl 1: Vdc_max controller enable 2: Vdc_min controller (kinetic buffering) enable 3: Vdc_min controller and Vdc_max controller enable		
Dependency:	Refer to: p1245 Refer to: A07400, A07401, A07402, F07405, F07406		
Notice:	An excessively high value in p1245 can possibly negatively influence the normal operation of the drive.		
Note:	p1240 = 1, 3: When the DC link voltage limit specified for the power unit is reached the following applies: - the Vdc_max controller limits the regenerative energy in order that the DC link voltage is kept below the maximum DC link voltage when braking. - the ramp-down times are automatically increased. p1240 = 2, 3: When the switch-in threshold of the Vdc_min controller is reached (p1245), the following applies: - the Vdc_min controller limits the energy taken from the DC link in order to keep the DC link voltage above the minimum DC link voltage when accelerating. - the motor is braked in order to use its kinetic energy to buffer the DC link.		
r1242	Vdc_max controller switch-in level / Vdc_max on_level		
	Access level: 3	Calculated: -	Data type: FloatingPoint32
	Can be changed: -	Scaling: p2001	Data set: -
	Units group: -	Unit selection: -	
	Min - [V]	Max - [V]	Factory setting - [V]
Description:	Displays the switch-in level for the Vdc_max controller. If p1254 = 0 (automatic sensing of the switch-in level = off), then the following applies: $r1242 = 1.15 * \sqrt{2} * V_mains = 1.15 * \sqrt{2} * p0210$ (supply voltage) If p1254 = 1 (automatic sensing of the switch-in level = on), then the following applies: $r1242 = Vdc_max - 50.0 \text{ V}$ (Vdc_max: Overvoltage threshold of the power unit)		
Note:	The Vdc_max controller is not switched back off until the DC-link voltage falls below the threshold $0.95 * p1242$ and the controller output is zero.		
p1243[0...n]	Vdc_max controller dynamic factor / Vdc_max dyn_factor		
	Access level: 3	Calculated: p0340 = 1,3,4	Data type: FloatingPoint32
	Can be changed: U, T	Scaling: -	Data set: DDS, p0180
	Units group: -	Unit selection: -	
	Min 1 [%]	Max 10000 [%]	Factory setting 100 [%]
Description:	Sets the dynamic factor for the DC link voltage controller (Vdc_max controller). 100% means that p1250, p1251, and p1252 (gain, integral time, and rate time) are used corresponding to their basic settings and based on a theoretical controller optimization. If subsequent optimization is required, this can be carried out using the dynamic factor. In this case p1250, p1251, p1252 are weighted with the dynamic factor p1243.		

p1245[0...n]	Vdc_min controller switch-in level (kinetic buffering) / Vdc_min on_level		
	Access level: 3	Calculated: -	Data type: FloatingPoint32
	Can be changed: U, T	Scaling: -	Data set: DDS, p0180
	Units group: -	Unit selection: -	
	Min 65 [%]	Max 150 [%]	Factory setting 76 [%]
Description:	Sets the switch-in level for the Vdc-min controller (kinetic buffering). The value is obtained as follows: $r1246[V] = p1245[\%] * \sqrt{2} * p0210$		
Dependency:	Refer to: p0210		
Warning:	An excessively high value may adversely affect normal drive operation.		
			
r1246	Vdc_min controller switch-in level (kinetic buffering) / Vdc_min on_level		
	Access level: 3	Calculated: -	Data type: FloatingPoint32
	Can be changed: -	Scaling: p2001	Data set: -
	Units group: -	Unit selection: -	
	Min - [V]	Max - [V]	Factory setting - [V]
Description:	Displays the switch-in level for the Vdc_min controller (kinetic buffering).		
Note:	The Vdc_min controller is not switched back off until the DC-link voltage rises above the threshold $1.05 * p1246$ and the controller output is zero.		
p1247[0...n]	Vdc_min controller dynamic factor (kinetic buffering) / Vdc_min dyn_factor		
	Access level: 3	Calculated: p0340 = 1,3,4	Data type: FloatingPoint32
	Can be changed: U, T	Scaling: -	Data set: DDS, p0180
	Units group: -	Unit selection: -	
	Min 1 [%]	Max 10000 [%]	Factory setting 300 [%]
Description:	Sets the dynamic factor for the Vdc_min controller (kinetic buffering). 100% means that p1250, p1251, and p1252 (gain, integral time, and rate time) are used corresponding to their basic settings and based on a theoretical controller optimization. If subsequent optimization is required, this can be carried out using the dynamic factor. In this case p1250, p1251, p1252 are weighted with the dynamic factor p1247.		
p1249[0...n]	Vdc_max controller speed threshold / Vdc_max n_thresh		
	Access level: 3	Calculated: p0340 = 1	Data type: FloatingPoint32
	Can be changed: U, T	Scaling: -	Data set: DDS, p0180
	Units group: 3_1	Unit selection: p0505	
	Min 0.00 [rpm]	Max 210000.00 [rpm]	Factory setting 10.00 [rpm]
Description:	Sets the lower speed threshold for the Vdc_max controller. When this speed threshold is undershot, the Vdc_max control is switched out and the speed is controlled using the ramp-function generator.		
Note:	For fast braking where the ramp-function generator tracking was active, it is possible to prevent the drive rotating in the opposite direction by increasing the speed threshold and setting a final rounding-off time in the ramp-function generator (p1131). This is supported using a dynamic setting of the speed controller.		

p1250[0...n]	Vdc controller proportional gain / Vdc_ctrl Kp		
	Access level: 4	Calculated: -	Data type: FloatingPoint32
	Can be changed: U, T	Scaling: -	Data set: DDS, p0180
	Units group: -	Unit selection: -	
	Min 0.00	Max 100.00	Factory setting 1.00
Description:	Sets the proportional gain for the DC-link voltage controller (Vdc_min controller, Vdc_max controller).		
Dependency:	The effective proportional gain is obtained taking into account p1243 (Vdc_max controller dynamic factor) and the DC link capacitance of the power unit.		
p1251[0...n]	Vdc controller integral time / Vdc_ctrl Tn		
	Access level: 4	Calculated: -	Data type: FloatingPoint32
	Can be changed: U, T	Scaling: -	Data set: DDS, p0180
	Units group: -	Unit selection: -	
	Min 0 [ms]	Max 10000 [ms]	Factory setting 0 [ms]
Description:	Sets the integral time for the DC-link voltage controller (Vdc_min controller, Vdc_max controller).		
Dependency:	The effective integral time is obtained taking into account p1243 (Vdc_max controller dynamic factor).		
Note:	p1251 = 0: The integral component is de-activated.		
p1252[0...n]	Vdc controller rate time / Vdc_ctrl t_rate		
	Access level: 4	Calculated: -	Data type: FloatingPoint32
	Can be changed: U, T	Scaling: -	Data set: DDS, p0180
	Units group: -	Unit selection: -	
	Min 0 [ms]	Max 1000 [ms]	Factory setting 0 [ms]
Description:	Sets the rate time constant for the DC-link voltage controller (Vdc_min controller, Vdc_max controller).		
Dependency:	The effective rate time is obtained taking into account p1243 (Vdc_max controller dynamic factor).		
p1254	Vdc_max controller automatic ON level detection / Vdc_max SenseOnLev		
	Access level: 3	Calculated: -	Data type: Integer16
	Can be changed: U, T	Scaling: -	Data set: -
	Units group: -	Unit selection: -	
	Min 0	Max 1	Factory setting 1
Description:	Activates/de-activates the automatic sensing of the switch-in level for the Vdc_max controller.		
Value:	0: Automatic detection inhibited 1: Automatic detection enabled		

p1255[0...n]	Vdc_min controller time threshold / Vdc_min t_thresh		
	Access level: 3	Calculated: -	Data type: FloatingPoint32
	Can be changed: U, T	Scaling: -	Data set: DDS, p0180
	Units group: -	Unit selection: -	
	Min 0.000 [s]	Max 1800.000 [s]	Factory setting 0.000 [s]
Description:	Sets the time threshold for the Vdc_min controller (kinetic buffering). If this value is exceeded a fault is output; the required response can be parameterized. Prerequisite: p1256 = 1		
Dependency:	Refer to: F07406		
Notice:	If a time threshold has been parameterized, the Vdc_max controller should also be activated (p1240 = 3) so that the drive does not shut down with overvoltage when Vdc_min control is exited (due to the time violation) and in the event of fault response OFF3. It is also possible to increase the OFF3 ramp-down time p1135.		
p1256[0...n]	Vdc_min controller response (kinetic buffering) / Vdc_min response		
	Access level: 3	Calculated: -	Data type: Integer16
	Can be changed: U, T	Scaling: -	Data set: DDS, p0180
	Units group: -	Unit selection: -	
	Min 0	Max 1	Factory setting 0
Description:	Sets the response for the Vdc_min controller (kinetic buffering).		
Value:	0: Buffer Vdc until undervoltage, n<p1257 -> F07405 1: Buff. Vdc until undervolt., n<p1257 -> F07405, t>p1255 -> F07406		
Dependency:	Refer to: F07405, F07406		
p1257[0...n]	Vdc_min controller speed threshold / Vdc_min n_thresh		
	Access level: 3	Calculated: p0340 = 1	Data type: FloatingPoint32
	Can be changed: U, T	Scaling: -	Data set: DDS, p0180
	Units group: 3_1	Unit selection: p0505	
	Min 0.00 [rpm]	Max 210000.00 [rpm]	Factory setting 50.00 [rpm]
Description:	Sets the speed threshold for the Vdc-min controller (kinetic buffering). If this value is exceeded a fault is output; the required response can be parameterized .		
r1258	CO: Vdc controller output / Vdc_ctrl output		
	Access level: 4	Calculated: -	Data type: FloatingPoint32
	Can be changed: -	Scaling: p2002	Data set: -
	Units group: 6_2	Unit selection: p0505	
	Min - [Arms]	Max - [Arms]	Factory setting - [Arms]
Description:	Displays the actual output of the Vdc controller (DC link voltage controller)		
Note:	The regenerative power limit p1531 is used for vector control to pre-control the Vdc_max controller. The lower the power limit is set, the lower the correction signals of the controller when the voltage limit is reached.		

p1280[0...n]	Vdc controller or Vdc monitoring configuration (U/f) / Vdc_ctr config U/f		
	Access level: 3	Calculated: -	Data type: Integer16
	Can be changed: U, T	Scaling: -	Data set: DDS, p0180
	Units group: -	Unit selection: -	
	Min 0	Max 1	Factory setting 1
Description:	Sets the configuration of the controller for the DC link voltage (Vdc controller) in the U/f operating mode.		
Value:	0: Inhib Vdc ctrl 1: Vdc_max controller enable		
Note:	For high input voltages (see p0210), the following settings can improve the degree of ruggedness of the Vdc_max controller: - Set the input voltage p0210 as low as possible (in so doing avoid A07401). - Set the rounding times (p1130, p1136). - Increase the ramp-down times (p1121). - Reduce the integral time of the controller (p1291) (factor 0.5). - Reduce the rate time of the controller (p1292) (factor 0.5). In this case, we generally recommend to use vector control (p1300 = 20) (Vdc controller, see p1240). The following measures are suitable to improve the Vdc_min controller: - Optimize the Vdc_min controller (see p1287).		
r1282	Vdc_max controller switch-in level (U/f) / Vdc_max on_level		
	Access level: 3	Calculated: -	Data type: FloatingPoint32
	Can be changed: -	Scaling: p2001	Data set: -
	Units group: -	Unit selection: -	
	Min - [V]	Max - [V]	Factory setting - [V]
Description:	Displays the switch-in level for the Vdc_max controller. If p1294 = 0 (automatic sensing of the switch-in level = off), then the following applies: $r1282 = 1.15 * \sqrt{2} * V_{mains} = 1.15 * \sqrt{2} * p0210$ (supply voltage) If p1294 = 1 (automatic sensing of the switch-in level = on), then the following applies: $r1282 = Vdc_max - 50.0 \text{ V}$ (Vdc_max: Overvoltage threshold of the power unit)		
Note:	The Vdc_max controller is not switched back off until the DC-link voltage falls below the threshold $0.95 * p1282$ and the controller output is zero.		
p1283[0...n]	Vdc_max controller dynamic factor (U/f) / Vdc_max dyn_factor		
	Access level: 3	Calculated: p0340 = 1,3,4	Data type: FloatingPoint32
	Can be changed: U, T	Scaling: -	Data set: DDS, p0180
	Units group: -	Unit selection: -	
	Min 1 [%]	Max 10000 [%]	Factory setting 100 [%]
Description:	Sets the dynamic factor for the DC link voltage controller (Vdc_max controller). 100% means that p1290, p1291, and p1292 (gain, integral time, and rate time) are used in accordance with their basic settings and on the basis of a theoretical controller optimization. If subsequent optimization is required, this can be carried out using the dynamic factor. In this case, p1290, p1291, and p1292 are weighted with the dynamic factor p1283.		

p1290[0...n]	Vdc controller proportional gain (U/f) / Vdc_ctrl Kp		
	Access level: 4	Calculated: p0340 = 1,3,4	Data type: FloatingPoint32
	Can be changed: U, T	Scaling: -	Data set: DDS, p0180
	Units group: -	Unit selection: -	
	Min 0.00	Max 100.00	Factory setting 1.00
Description:	Sets the proportional gain for the Vdc controller (DC link voltage controller).		
Note:	The gain factor is proportional to the capacitance of the DC link. The parameter is pre-set to a value that is optimally adapted to the capacitance of the power unit.		
p1291[0...n]	Vdc controller integral time (U/f) / Vdc_ctrl Tn		
	Access level: 4	Calculated: -	Data type: FloatingPoint32
	Can be changed: U, T	Scaling: -	Data set: DDS, p0180
	Units group: -	Unit selection: -	
	Min 0 [ms]	Max 10000 [ms]	Factory setting 40 [ms]
Description:	Sets the integral time for the Vdc controller (DC link voltage controller).		
p1292[0...n]	Vdc controller rate time (U/f) / Vdc_ctrl t_rate		
	Access level: 4	Calculated: p0340 = 1,3,4	Data type: FloatingPoint32
	Can be changed: U, T	Scaling: -	Data set: DDS, p0180
	Units group: -	Unit selection: -	
	Min 0 [ms]	Max 1000 [ms]	Factory setting 10 [ms]
Description:	Sets the rate time constant for the Vdc controller (DC link voltage controller).		
r1298	CO: Vdc controller output (U/f) / Vdc_ctrl output		
	Access level: 4	Calculated: -	Data type: FloatingPoint32
	Can be changed: -	Scaling: p2000	Data set: -
	Units group: 3_1	Unit selection: p0505	
	Min - [rpm]	Max - [rpm]	Factory setting - [rpm]
Description:	Displays the actual output of the Vdc controller (DC link voltage controller)		

p1300[0...n] Open-loop/closed-loop control operating mode / Op/cl-lp ctrl_mode			
	Access level: 2	Calculated: -	Data type: Integer16
	Can be changed: C(1), T	Scaling: -	Data set: DDS, p0180
	Units group: -	Unit selection: -	
	Min 0	Max 20	Factory setting 0
Description:	Sets the open and closed-loop control mode of a drive.		
Value:	0: U/f control with linear characteristic 1: U/f control with linear characteristic and FCC 2: U/f control with parabolic characteristic 3: U/f control with parameterizable characteristic 4: U/f control with linear characteristic and ECO 5: U/f control for drives requiring a precise freq. (e.g. textiles) 6: U/f control for drives requiring a precise frequency and FCC 7: U/f control for a parabolic characteristic and ECO 19: U/f control with independent voltage setpoint 20: Speed control (encoderless)		
Dependency:	Only operation with U/f characteristic is possible if the rated motor speed is not entered (p0311). Operation with a U/f characteristic is not supported for 1LE4 synchronous motors. Refer to: p0300, p0311, p0500		
Notice:	Active slip compensation is required in the U/f control types with Eco mode (p1300 = 4, 7). The scaling of the slip compensation (p1335) should be set so that the slip is completely compensated (generally 100%). The Eco mode is only effective in steady-state operation and when the ramp-function generator is not bypassed.		
Note:	For the open-loop control modes p1300 = 5 and 6 (textile sector), slip compensation p1335, resonance damping p1338, and the I _{max} frequency controller are switched off internally so that the output frequency can be set precisely. The I _{max} voltage controller remains active. During operation (the pulses enabled) the open-loop/closed-loop control mode cannot be changed by changing over drive data sets.		
p1310[0...n] Voltage boost permanent / U_boost perm			
	Access level: 2	Calculated: -	Data type: FloatingPoint32
	Can be changed: U, T	Scaling: -	Data set: DDS, p0180
	Units group: -	Unit selection: -	
	Min 0.0 [%]	Max 250.0 [%]	Factory setting 50.0 [%]
Description:	Defines the voltage boost as a [%] referred to the rated motor current (p0305). The magnitude of the permanent voltage boost is reduced with increasing frequency so that at the rated motor frequency, the rated motor voltage is present. The magnitude of the boost in Volt at a frequency of zero is defined as follows: $\text{Voltage boost [V]} = 1.732 \times p0305 \text{ (rated motor current [A])} \times r0395 \text{ (stator/primary section resistance [ohm])} \times p1310 \text{ (permanent voltage boost [\%])} / 100 \%$ At low output frequencies, there is only a low output voltage in order to maintain the motor flux. However, the output voltage can be too low in order to achieve the following: <ul style="list-style-type: none"> - magnetize the induction motor. - hold the load. - compensate for losses in the system. This is the reason that the output voltage can be increased using p1310. The voltage boost can be used for both linear as well as square-law U/f characteristics.		
Dependency:	The current limit p0640 limits the boost. For vector control, the permanent voltage boost (p1310) has no effect as the drive converter automatically sets the optimum operating conditions. Refer to: p1300, p1311, p1312, r1315		
Notice:	The voltage boost increases the motor temperature (particularly at zero speed).		
Note:	The voltage boost is only effective for U/f control (p1300). The boost values are combined with one another if the permanent voltage boost (p1310) is used in conjunction with other boost parameters (acceleration boost (p1311), voltage boost for starting (p1312)). However, these parameters are assigned the following priorities: p1310 > p1311, p1312		

p1311[0...n]	Voltage boost at acceleration / U_boost accelerate		
	Access level: 2	Calculated: -	Data type: FloatingPoint32
	Can be changed: U, T	Scaling: -	Data set: DDS, p0180
	Units group: -	Unit selection: -	
	Min 0.0 [%]	Max 250.0 [%]	Factory setting 0.0 [%]
Description:	<p>p1311 only results in a voltage boost when accelerating and generates a supplementary torque to accelerate the load.</p> <p>The voltage boost becomes effective for a positive setpoint increase and disappears as soon as the setpoint has been reached. The build-up and withdrawal of the voltage boost are smoothed.</p> <p>The magnitude of the boost in Volt at a frequency of zero is defined as follows: Voltage boost [V] = 1.732 * p0305 (rated motor current [A]) x r0395 (stator/primary section resistance [ohm]) x p1311 (voltage boost when accelerating [%]) / 100 %</p>		
Dependency:	The current limit p0640 limits the boost. Refer to: p1300, p1310, p1312, r1315		
Notice:	The voltage boost results in a higher motor temperature increase.		
Note:	The voltage boost when accelerating can improve the response to small, positive setpoint changes. Assigning priorities for the voltage boosts: refer to p1310		
p1312[0...n]	Voltage boost when starting / U_boost starting		
	Access level: 2	Calculated: -	Data type: FloatingPoint32
	Can be changed: U, T	Scaling: -	Data set: DDS, p0180
	Units group: -	Unit selection: -	
	Min 0.0 [%]	Max 250.0 [%]	Factory setting 0.0 [%]
Description:	<p>Setting for an additional voltage boost when powering-up, however, only for the first acceleration phase.</p> <p>The voltage boost becomes effective for a positive setpoint increase and disappears as soon as the setpoint has been reached. The build-up and withdrawal of the voltage boost are smoothed.</p>		
Dependency:	The current limit p0640 limits the boost. Refer to: p1300, p1310, p1311, r1315		
Notice:	The voltage boost results in a higher motor temperature increase.		
Note:	The voltage boost when accelerating can improve the response to small, positive setpoint changes. Assigning priorities for the voltage boosts: refer to p1310		
r1315	Voltage boost total / U_boost total		
	Access level: 3	Calculated: -	Data type: FloatingPoint32
	Can be changed: -	Scaling: p2001	Data set: -
	Units group: -	Unit selection: -	
	Min - [Vrms]	Max - [Vrms]	Factory setting - [Vrms]
Description:	<p>Displays the total resulting voltage boost in volt.</p> <p>$r1315 = p1310 + p1311 + p1312$</p>		
Dependency:	Refer to: p1310, p1311, p1312		

p1320[0...n]	U/f control programmable characteristic frequency 1 / Uf char f1		
	Access level: 3	Calculated: p0340 = 1	Data type: FloatingPoint32
	Can be changed: U, T	Scaling: -	Data set: DDS, p0180
	Units group: -	Unit selection: -	
	Min 0.00 [Hz]	Max 3000.00 [Hz]	Factory setting 0.00 [Hz]
Description:	The programmable characteristic for the U/f control is defined using 4 points and 0 Hz/p1310. This parameter specifies the voltage of the first point along the characteristic.		
Dependency:	Selects the freely programmable characteristic using p1300 = 3. The following applies to the frequency values: p1320 <= p1322 <= p1324 <= p1326. Otherwise, a standard characteristic is used that contains the rated motor operating point. Refer to: p1300, p1310, p1311, p1321, p1322, p1323, p1324, p1325, p1326, p1327		
Note:	Linear interpolation is carried out between the points 0 Hz/p1310, p1320/p1321 ... p1326/p1327. The voltage boost when accelerating (p1311) is also applied to the freely programmable U/f characteristic.		
p1321[0...n]	U/f control programmable characteristic voltage 1 / Uf char U1		
	Access level: 3	Calculated: p0340 = 1	Data type: FloatingPoint32
	Can be changed: U, T	Scaling: -	Data set: DDS, p0180
	Units group: -	Unit selection: -	
	Min 0.0 [Vrms]	Max 10000.0 [Vrms]	Factory setting 0.0 [Vrms]
Description:	The programmable characteristic for the U/f control is defined using 4 points and 0 Hz/p1310. This parameter specifies the voltage of the first point along the characteristic.		
Dependency:	Selects the freely programmable characteristic using p1300 = 3. Refer to: p1310, p1311, p1320, p1322, p1323, p1324, p1325, p1326, p1327		
Note:	Linear interpolation is carried out between the points 0 Hz/p1310, p1320/p1321 ... p1326/p1327. The voltage boost when accelerating (p1311) is also applied to the freely programmable U/f characteristic.		
p1322[0...n]	U/f control programmable characteristic frequency 2 / Uf char f2		
	Access level: 3	Calculated: p0340 = 1	Data type: FloatingPoint32
	Can be changed: U, T	Scaling: -	Data set: DDS, p0180
	Units group: -	Unit selection: -	
	Min 0.00 [Hz]	Max 3000.00 [Hz]	Factory setting 0.00 [Hz]
Description:	The programmable characteristic for the U/f control is defined using 4 points and 0 Hz/p1310. This parameter specifies the voltage of the second point along the characteristic.		
Dependency:	The following applies to the frequency values: p1320 <= p1322 <= p1324 <= p1326. Otherwise, a standard characteristic is used that contains the rated motor operating point. Refer to: p1310, p1311, p1320, p1321, p1323, p1324, p1325, p1326, p1327		
p1323[0...n]	U/f control programmable characteristic voltage 2 / Uf char U2		
	Access level: 3	Calculated: p0340 = 1	Data type: FloatingPoint32
	Can be changed: U, T	Scaling: -	Data set: DDS, p0180
	Units group: -	Unit selection: -	
	Min 0.0 [Vrms]	Max 10000.0 [Vrms]	Factory setting 0.0 [Vrms]
Description:	The programmable characteristic for the U/f control is defined using 4 points and 0 Hz/p1310. This parameter specifies the voltage of the second point along the characteristic.		
Dependency:	Refer to: p1310, p1311, p1320, p1321, p1322, p1324, p1325, p1326, p1327		

p1324[0...n]	U/f control programmable characteristic frequency 3 / Uf char f3		
	Access level: 3	Calculated: p0340 = 1	Data type: FloatingPoint32
	Can be changed: U, T	Scaling: -	Data set: DDS, p0180
	Units group: -	Unit selection: -	
	Min 0.00 [Hz]	Max 3000.00 [Hz]	Factory setting 0.00 [Hz]
Description:	The programmable characteristic for the U/f control is defined using 4 points and 0 Hz/p1310. This parameter specifies the voltage of the third point along the characteristic.		
Dependency:	The following applies to the frequency values: p1320 <= p1322 <= p1324 <= p1326. Otherwise, a standard characteristic is used that contains the rated motor operating point. Refer to: p1310, p1311, p1320, p1321, p1322, p1323, p1325, p1326, p1327		
p1325[0...n]	U/f control programmable characteristic voltage 3 / Uf char U3		
	Access level: 3	Calculated: p0340 = 1	Data type: FloatingPoint32
	Can be changed: U, T	Scaling: -	Data set: DDS, p0180
	Units group: -	Unit selection: -	
	Min 0.0 [Vrms]	Max 10000.0 [Vrms]	Factory setting 0.0 [Vrms]
Description:	The programmable characteristic for the U/f control is defined using 4 points and 0 Hz/p1310. This parameter specifies the voltage of the third point along the characteristic.		
Dependency:	Refer to: p1310, p1311, p1320, p1321, p1322, p1323, p1324, p1326, p1327		
p1326[0...n]	U/f control programmable characteristic frequency 4 / Uf char f4		
	Access level: 3	Calculated: p0340 = 1,3	Data type: FloatingPoint32
	Can be changed: U, T	Scaling: -	Data set: DDS, p0180
	Units group: -	Unit selection: -	
	Min 0.00 [Hz]	Max 10000.00 [Hz]	Factory setting 0.00 [Hz]
Description:	The programmable characteristic for the U/f control is defined using 4 points and 0 Hz/p1310. This parameter specifies the frequency of the fourth point along the characteristic.		
Dependency:	Selects the freely programmable characteristic using p1300 = 3. The following applies for the frequency values: p1320 <= p1322 <= p1324 <= p1326 Otherwise, a standard characteristic is used that contains the rated motor operating point. Refer to: p1310, p1311, p1320, p1321, p1322, p1323, p1324, p1325, p1327		
Note:	Linear interpolation is carried out between the points 0 Hz/p1310, p1320/p1321 ... p1326/p1327. For output frequencies above p1326, the characteristic is extrapolated with the gradient between the characteristic points p1324/p1325 and p1326/p1327. The voltage boost when accelerating (p1311) is also applied to the freely programmable U/f characteristic.		
p1327[0...n]	U/f control programmable characteristic voltage 4 / Uf char U4		
	Access level: 3	Calculated: p0340 = 1,3	Data type: FloatingPoint32
	Can be changed: U, T	Scaling: -	Data set: DDS, p0180
	Units group: -	Unit selection: -	
	Min 0.0 [Vrms]	Max 10000.0 [Vrms]	Factory setting 0.0 [Vrms]
Description:	The programmable characteristic for the U/f control is defined using 4 points and 0 Hz/p1310. This parameter specifies the voltage of the fourth point along the characteristic.		
Dependency:	Selects the freely programmable characteristic using p1300 = 3. Refer to: p1310, p1311, p1320, p1321, p1322, p1323, p1324, p1325, p1326		
Note:	Linear interpolation is carried out between the points 0 Hz/p1310, p1320/p1321 ... p1326/p1327. The voltage boost when accelerating (p1311) is also applied to the freely programmable U/f characteristic.		

p1330[0...n]	CI: U/f control independent voltage setpoint / Uf U_set independ.		
	Access level: 3	Calculated: -	Data type: U32 / FloatingPoint32
	Can be changed: T	Scaling: p2001	Data set: CDS, p0170
	Units group: -	Unit selection: -	
	Min -	Max -	Factory setting 0
Description:	Sets the signal source for the voltage setpoint for U/f control with an independent voltage setpoint (p1300 = 19).		
Dependency:	Selects the U/f control with independent voltage setpoint via p1300 = 19. Refer to: p1300		
p1334[0...n]	U/f control slip compensation starting frequency / Slip comp start		
	Access level: 3	Calculated: p0340 = 1	Data type: FloatingPoint32
	Can be changed: U, T	Scaling: -	Data set: DDS, p0180
	Units group: -	Unit selection: -	
	Min 0.00 [Hz]	Max 3000.00 [Hz]	Factory setting 0.00 [Hz]
Description:	Sets the starting frequency of the slip compensation.		
Note:	For p1334 = 0, the starting frequency of the slip compensation is automatically set to 6 % of the rated motor frequency.		
p1335[0...n]	Slip compensation, scaling / Slip comp scal		
	Access level: 3	Calculated: -	Data type: FloatingPoint32
	Can be changed: U, T	Scaling: -	Data set: DDS, p0180
	Units group: -	Unit selection: -	
	Min 0.0 [%]	Max 600.0 [%]	Factory setting 0.0 [%]
Description:	Sets the setpoint for slip compensation in [%] referred to r0330 (motor rated slip). p1335 = 0.0 %: Slip compensation de-activated. p1335 = 100.0 %: The slip is completely compensated.		
Dependency:	Prerequisite for a precise slip compensation for p1335 = 100 % are the precise motor parameters (p0350 ... p0360). If the parameters are not precisely known, a precise compensation can be achieved by varying p1335. For U/f control types with Eco optimization (4 and 7), the slip compensation must be activated in order to guarantee correct operation.		
Note:	The purpose of slip compensation is to maintain a constant motor speed regardless of the applied load. The fact that the motor speed decreases with increasing load is a typical characteristic of induction motors. For synchronous motors, this effect does not occur and the parameter has no effect in this case. For the open-loop control modes p1300 = 5 and 6 (textile sector), the slip compensation is internally disabled in order to be able to precisely set the output frequency. If p1335 is changed during commissioning (p0010 > 0), then it is possible that the old value will no longer be able to be set. The reason for this is that the dynamic limits of p1335 have been changed by a parameter that was set when the drive was commissioned (e.g. p0300).		
p1336[0...n]	Slip compensation limit value / Slip comp lim val		
	Access level: 3	Calculated: -	Data type: FloatingPoint32
	Can be changed: U, T	Scaling: -	Data set: DDS, p0180
	Units group: -	Unit selection: -	
	Min 0.00 [%]	Max 600.00 [%]	Factory setting 250.00 [%]
Description:	Sets the limit value for slip compensation in [%] referred to r0330 (motor rated slip).		

r1337	CO: Actual slip compensation / Slip comp act val		
	Access level: 3	Calculated: -	Data type: FloatingPoint32
	Can be changed: -	Scaling: PERCENT	Data set: -
	Units group: -	Unit selection: -	
	Min - [%]	Max - [%]	Factory setting - [%]
Description:	Displays the actual compensated slip [%] referred to r0330 (rated motor slip).		
Dependency:	p1335 > 0 %: Slip compensation active. Refer to: p1335		
p1338[0...n]	U/f mode resonance damping gain / Uf Res_damp gain		
	Access level: 3	Calculated: p0340 = 1,3,4	Data type: FloatingPoint32
	Can be changed: U, T	Scaling: -	Data set: DDS, p0180
	Units group: -	Unit selection: -	
	Min 0.00	Max 100.00	Factory setting 0.00
Description:	Sets the gain for resonance damping for U/f control.		
Dependency:	Refer to: p1300, p1349		
Note:	The resonance damping function dampens active current oscillations that frequency occur under no-load conditions. The resonance damping is active in a range of approximately 5 ... 90 % of the rated motor frequency (p0310), but up to a maximum of 45 Hz. For the open-loop control modes p1300 = 5 and 6 (textile sectors), the resonance damping is internally disabled in order that the output frequency can be precisely set.		
p1340[0...n]	I_max frequency controller proportional gain / I_max_ctrl Kp		
	Access level: 3	Calculated: p0340 = 1,3,4	Data type: FloatingPoint32
	Can be changed: U, T	Scaling: -	Data set: DDS, p0180
	Units group: -	Unit selection: -	
	Min 0.000	Max 0.500	Factory setting 0.000
Description:	Sets the proportional gain of the I_max voltage controller. The I_max controller reduces the drive converter output current if the maximum current (r0067) is exceeded. In the U/f operating modes (p1300) for the I_max control, one controller is used that acts on the output frequency and one controller that acts on the output voltage. The frequency controller reduces the current by decreasing the converter output frequency. The frequency is reduced down to a minimum value (equaling twice rated slip). If the overcurrent condition cannot be successfully resolved using this measure, then the drive converter output voltage is reduced using the I_max voltage controller. Once the overcurrent condition has been resolved, the drive is accelerated along the ramp set in p1120 (ramp-up time).		
Dependency:	In the U/f modes (p1300) for textile applications and for external voltage setpoints, only the I_max voltage controller is used.		
Notice:	When de-activating the I_max controller, the following must be carefully observed: When the maximum current (r0067) is exceeded, the output current is no longer reduced, however, overcurrent alarm messages are generated. The drive is shut down if the overcurrent limit (r0209) is exceeded.		
Note:	p1341 = 0: I_max frequency controller de-activated and I_max voltage controller activated over the complete speed range.		

p1341[0...n]	I_max frequency controller integral time / I_max_ctrl Tn		
	Access level: 4	Calculated: p0340 = 1,3,4	Data type: FloatingPoint32
	Can be changed: U, T	Scaling: -	Data set: DDS, p0180
	Units group: -	Unit selection: -	
	Min 0.000 [s]	Max 50.000 [s]	Factory setting 0.300 [s]
Description:	Sets the integral time for the I_max frequency controller.		
Dependency:	Refer to: p1340		
Note:	When p1341 = 0, the current limiting controller influencing the frequency is de-activated and only the current limiting controller influencing the output voltage remains active (p1345, p1346). This current limiting function is de-activated with p1340 = p1341 = 0.		
r1343	CO: I_max controller frequency output / I_max_ctrl f_outp		
	Access level: 3	Calculated: -	Data type: FloatingPoint32
	Can be changed: -	Scaling: p2000	Data set: -
	Units group: 3_1	Unit selection: p0505	
	Min - [rpm]	Max - [rpm]	Factory setting - [rpm]
Description:	Displays the effective frequency limit.		
Dependency:	Refer to: p1340		
r1344	I_max controller voltage output / I_max_ctrl U_outp		
	Access level: 4	Calculated: -	Data type: FloatingPoint32
	Can be changed: -	Scaling: p2001	Data set: -
	Units group: 5_1	Unit selection: p0505	
	Min - [Vrms]	Max - [Vrms]	Factory setting - [Vrms]
Description:	Displays the amount by which the converter output voltage is reduced.		
Dependency:	Refer to: p1340		
p1345[0...n]	I_max voltage controller proportional gain / I_max_U_ctrl Kp		
	Access level: 4	Calculated: p0340 = 1,3,4	Data type: FloatingPoint32
	Can be changed: U, T	Scaling: -	Data set: DDS, p0180
	Units group: -	Unit selection: -	
	Min 0.000	Max 100000.000	Factory setting 0.000
Description:	Sets the proportional gain for the I_max voltage controller.		
Dependency:	Refer to: p1340		
Note:	The controller settings are also used in the current controller of the DC braking (refer to p1232).		
p1346[0...n]	I_max voltage controller integral time / I_max_U_ctrl Tn		
	Access level: 4	Calculated: p0340 = 1,3,4	Data type: FloatingPoint32
	Can be changed: U, T	Scaling: -	Data set: DDS, p0180
	Units group: -	Unit selection: -	
	Min 0.000 [s]	Max 50.000 [s]	Factory setting 0.030 [s]
Description:	Sets the integral time for the I_max voltage controller.		
Dependency:	Refer to: p1340		
Note:	p1346 = 0: Integral time of the I_max voltage controller de-activated. The controller settings are also used in the current controller of the DC braking (refer to p1232).		

r1348	CO: U/f control Eco factor actual value / U/f Eco fac act v		
	Access level: 4	Calculated: -	Data type: FloatingPoint32
	Can be changed: -	Scaling: PERCENT	Data set: -
	Units group: -	Unit selection: -	
	Min - [%]	Max - [%]	Factory setting - [%]
Description:	Displays the economic factor determined for optimizing motor consumption.		
Dependency:	Refer to: p1335		
Note:	The value is only determined for operating modes with Economic (p1300 = 4, 7).		
p1349[0...n]	U/f mode resonance damping maximum frequency / Uf res_damp f_max		
	Access level: 4	Calculated: p0340 = 1	Data type: FloatingPoint32
	Can be changed: U, T	Scaling: -	Data set: DDS, p0180
	Units group: -	Unit selection: -	
	Min 0.00 [Hz]	Max 3000.00 [Hz]	Factory setting 0.00 [Hz]
Description:	Sets the maximum output frequency for resonance damping for U/f control. Resonance damping is inactive above this output frequency.		
Dependency:	Refer to: p1338		
Note:	For p1349 = 0, the changeover limit is automatically set to 95 % of the rated motor frequency - however, to a max. of 45 Hz.		
p1351[0...n]	CO: Motor holding brake starting frequency / Brake f_start		
	Access level: 3	Calculated: -	Data type: FloatingPoint32
	Can be changed: U, T	Scaling: PERCENT	Data set: DDS, p0180
	Units group: -	Unit selection: -	
	Min -300.00 [%]	Max 300.00 [%]	Factory setting 0.00 [%]
Description:	Sets the frequency setting value at the slip compensation output for starting up with motor holding brake.		
Dependency:	When setting p1351 > 0, then slip compensation is automatically activated (p1335 = 100 %). Refer to: p1352		
Notice:	A BICO interconnection to a parameter that belongs to a drive data set always acts on the effective data set.		
Note:	Connected with p1352 a value of 100% corresponds to the motor rated slip (r0330).		
p1352[0...n]	CI: Motor holding brake starting frequency signal source / Brake f_start		
	Access level: 3	Calculated: -	Data type: U32 / FloatingPoint32
	Can be changed: T	Scaling: PERCENT	Data set: CDS, p0170
	Units group: -	Unit selection: -	
	Min -	Max -	Factory setting 1351[0]
Description:	Sets the signal source for the frequency setting value at the slip compensation output for starting up with motor holding brake.		
Dependency:	Refer to: p1216		
Note:	A value of 100% corresponds to the motor rated slip (r0330). The setting of the starting frequency begins after magnetizing (see p0346, r0056.4) and ends once the brake opening time (p1216) has elapsed and the starting frequency (p1334) has been reached. A setting value of zero means that no setting procedure will take place.		


r1406.4...15		CO/BO: Control word speed controller / STW n_ctrl			
	Access level: 4	Calculated: -	Data type: Unsigned16		
	Can be changed: -	Scaling: -	Data set: -		
	Units group: -	Unit selection: -			
	Min	Max	Factory setting		
	-	-	-		
Description:	Displays the control word of the speed controller.				
Bit field:	Bit	Signal name	1 signal	0 signal	FP
	04	Hold speed controller I component	Yes	No	6040
	05	Set speed controller I component	Yes	No	6040
	11	Droop enable	Yes	No	6030
	15	Set speed adaptation controller I component	Yes	No	-




r1407.0...15		CO/BO: Status word speed controller / ZSW n_ctrl			
	Access level: 4	Calculated: -	Data type: Unsigned32		
	Can be changed: -	Scaling: -	Data set: -		
	Units group: -	Unit selection: -			
	Min	Max	Factory setting		
	-	-	-		
Description:	Displays the status word of the speed controller.				
Bit field:	Bit	Signal name	1 signal	0 signal	FP
	00	U/f control active	Yes	No	-
	01	Encoderless operation active	Yes	No	-
	03	Speed control active	Yes	No	6040
	05	Speed controller I component frozen	Yes	No	6040
	06	Speed controller I component set	Yes	No	6040
	07	Torque limit reached	Yes	No	6060
	08	Upper torque limit active	Yes	No	6060
	09	Lower torque limit active	Yes	No	6060
	10	Droop enabled	Yes	No	6030
	11	Speed setpoint limited	Yes	No	6030
	12	Ramp-function generator set	Yes	No	-
	13	Encoderless operation due to a fault	Yes	No	-
	15	Torque limit reached (without pre-control)	Yes	No	6060

r1408.0...14		CO/BO: Status word current controller / ZSW I_ctrl			
	Access level: 4	Calculated: -	Data type: Unsigned16		
	Can be changed: -	Scaling: -	Data set: -		
	Units group: -	Unit selection: -			
	Min	Max	Factory setting		
	-	-	-		
Description:	Displays the current controller status word.				
Bit field:	Bit	Signal name	1 signal	0 signal	FP
	00	Current ctrl act	Active	Not active	-
	01	Id control, I component limiting	Active	Not active	6714
	03	Voltage limiting	Active	Not active	6714
	10	Speed adaptation, limiting	Active	Not active	-
	12	Motor stalled	Yes	No	-
	13	Separately excited synchronous motor is excited	Yes	No	-
	14	Current model FEM: magnetizing excitation current limited to 0	Yes	No	-

r1438	CO: Speed controller, speed setpoint / n_ctrl n_set		
	Access level: 3	Calculated: -	Data type: FloatingPoint32
	Can be changed: -	Scaling: p2000	Data set: -
	Units group: 3_1	Unit selection: p0505	
	Min - [rpm]	Max - [rpm]	Factory setting - [rpm]
Description:	Displays the speed setpoint after setpoint limiting for the P component of the speed controller. For U/f operation, the value that is displayed is of no relevance.		
r1445	CO: Actual speed smoothed / n_act smooth		
	Access level: 4	Calculated: -	Data type: FloatingPoint32
	Can be changed: -	Scaling: p2000	Data set: -
	Units group: 3_1	Unit selection: p0505	
	Min - [rpm]	Max - [rpm]	Factory setting - [rpm]
Description:	Displays the actual smoothed actual speed for speed control.		
p1452[0...n]	Speed controller speed actual value smoothing time (SLVC) / n_C n_act T_s SLVC		
	Access level: 2	Calculated: -	Data type: FloatingPoint32
	Can be changed: U, T	Scaling: -	Data set: DDS, p0180
	Units group: -	Unit selection: -	
	Min 0.00 [ms]	Max 32000.00 [ms]	Factory setting 10.00 [ms]
Description:	Sets the smoothing time for the actual speed of the speed controller for encoderless closed-loop speed control.		
Note:	The smoothing must be increased if there is gear backlash. For longer smoothing times, the integral time of the speed controller must also be increased (e.g. using p0340 = 4).		
p1470[0...n]	Speed controller encoderless operation P-gain / n_ctrl SLVC Kp		
	Access level: 2	Calculated: p0340 = 1,3,4	Data type: FloatingPoint32
	Can be changed: U, T	Scaling: -	Data set: DDS, p0180
	Units group: -	Unit selection: -	
	Min 0.000	Max 999999.000	Factory setting 0.300
Description:	Sets the P gain for encoderless operation for the speed controller.		
Note:	The product p0341 x p0342 is taken into account when automatically calculating the speed controller (p0340 = 1, 3, 4).		
p1472[0...n]	Speed controller encoderless operation integral time / n_ctrl SLVC Tn		
	Access level: 2	Calculated: p0340 = 1,3,4	Data type: FloatingPoint32
	Can be changed: U, T	Scaling: -	Data set: DDS, p0180
	Units group: -	Unit selection: -	
	Min 0.0 [ms]	Max 100000.0 [ms]	Factory setting 20.0 [ms]
Description:	Set the integral time for encoderless operation for the speed controller.		
Note:	The integral component is stopped if the complete controller output or the sum of controller output and torque pre-control reach the torque limit.		

p1475[0...n]	CI: Speed controller torque setting value for motor holding brake / n_ctrl M_sv MHB		
	Access level: 3	Calculated: -	Data type: U32 / FloatingPoint32
	Can be changed: T	Scaling: p2003	Data set: CDS, p0170
	Units group: -	Unit selection: -	
	Min -	Max -	Factory setting 0
Description:	Sets the signal source for the torque setting value when starting up with motor holding brake.		
Dependency:	.		
Note:	The setting of the integral output of the speed controller begins after magnetizing (see p0346, r0056 bit 4) and ends at the end of the brake control opening time p1216. A setting value of zero means that no setting procedure will take place. If p1351 is used as a signal source for the torque setting value, the percentage value is interpreted in relation to the rated torque (p2003).		
r1482	CO: Speed controller I torque output / n_ctrl I-M_output		
	Access level: 3	Calculated: -	Data type: FloatingPoint32
	Can be changed: -	Scaling: p2003	Data set: -
	Units group: 7_1	Unit selection: p0505	
	Min - [Nm]	Max - [Nm]	Factory setting - [Nm]
Description:	Displays the torque setpoint at the output of the I speed controller.		
r1493	CO: Moment of inertia, total / M_inertia total		
	Access level: 3	Calculated: -	Data type: FloatingPoint32
	Can be changed: -	Scaling: -	Data set: -
	Units group: 25_1	Unit selection: p0100	
	Min - [kgm ²]	Max - [kgm ²]	Factory setting - [kgm ²]
Description:	Displays the parameterized total moment of inertia ((p0341 * p0342) * p1496).		
p1496[0...n]	Acceleration pre-control scaling / a_before scaling		
	Access level: 3	Calculated: -	Data type: FloatingPoint32
	Can be changed: U, T	Scaling: -	Data set: DDS, p0180
	Units group: -	Unit selection: -	
	Min 0.0 [%]	Max 10000.0 [%]	Factory setting 0.0 [%]
Description:	Sets the scaling for the acceleration pre-control of the speed/velocity controller.		
Dependency:	Refer to: p0341, p0342		
Note:	The parameter is set to 100% by the rotating measurement (refer to p1960). The acceleration pre-control may not be used if the speed setpoint manifests significant ripple (e.g. analog setpoint) and the rounding-off in the speed ramp-function generator is disabled. We also recommend that the pre-control mode is not used if there is gearbox backlash.		
r1508	CO: Torque setpoint before supplementary torque / M_set bef. M_suppl		
	Access level: 4	Calculated: -	Data type: FloatingPoint32
	Can be changed: -	Scaling: p2003	Data set: -
	Units group: 7_1	Unit selection: p0505	
	Min - [Nm]	Max - [Nm]	Factory setting - [Nm]
Description:	Displays the torque setpoint before entering the supplementary torque. For closed-loop speed control, r1508 corresponds to the speed controller output.		

p1511[0...n]	CI: Supplementary torque 1 / M_suppl 1		
	Access level: 3	Calculated: -	Data type: U32 / FloatingPoint32
	Can be changed: T	Scaling: p2003	Data set: CDS, p0170
	Units group: -	Unit selection: -	
	Min -	Max -	Factory setting 0
Description:	Sets the signal source for supplementary torque 1.		
r1515	Supplementary torque total / M_suppl total		
	Access level: 4	Calculated: -	Data type: FloatingPoint32
	Can be changed: -	Scaling: p2003	Data set: -
	Units group: 7_1	Unit selection: p0505	
	Min - [Nm]	Max - [Nm]	Factory setting - [Nm]
Description:	Displays the total supplementary torque. The displayed value is the total of supplementary torque values 1 and 2.		
r1516	CO: Supplementary torque and acceleration torque / M_suppl + M_accel		
	Access level: 2	Calculated: -	Data type: FloatingPoint32
	Can be changed: -	Scaling: p2003	Data set: -
	Units group: 7_1	Unit selection: p0505	
	Min - [Nm]	Max - [Nm]	Factory setting - [Nm]
Description:	Displays the total supplementary torque and the accelerating torque. The displayed value is the total of the smoothed supplementary torque and the accelerating torque.		
p1517[0...n]	Accelerating torque smoothing time constant / M_accel T_smooth		
	Access level: 4	Calculated: -	Data type: FloatingPoint32
	Can be changed: U, T	Scaling: -	Data set: DDS, p0180
	Units group: -	Unit selection: -	
	Min 0.00 [ms]	Max 100.00 [ms]	Factory setting 4.00 [ms]
Description:	Sets the smoothing time constant of the accelerating torque.		
Note:	The acceleration pre-control is inhibited if the smoothing is set to the maximum value.		
p1520[0...n]	CO: Torque limit upper / M_max upper		
	Access level: 2	Calculated: p0340 = 1,3,5	Data type: FloatingPoint32
	Can be changed: U, T	Scaling: p2003	Data set: DDS, p0180
	Units group: 7_1	Unit selection: p0505	
	Min -1000000.00 [Nm]	Max 2000000.00 [Nm]	Factory setting 0.00 [Nm]
Description:	Sets the fixed, upper torque limit.		
Dependency:	Refer to: p1521, p1522, p1523, r1538, r1539		
Danger:	Negative values when setting the upper torque limit (p1520 < 0) can result in the motor accelerating in an uncontrollable fashion.		
			
Notice:	A BICO interconnection to a parameter that belongs to a drive data set always acts on the effective data set.		
Note:	The torque limit is limited to 400% of the rated motor torque. When automatically calculating the motor/closed-loop control parameters (p0340), the torque limit is set to match the current limit (p0640).		


p1521[0...n]	CO: Torque limit lower / M_max lower		
	Access level: 2	Calculated: p0340 = 1,3,5	Data type: FloatingPoint32
	Can be changed: U, T	Scaling: p2003	Data set: DDS, p0180
	Units group: 7_1	Unit selection: p0505	
	Min -20000000.00 [Nm]	Max 1000000.00 [Nm]	Factory setting 0.00 [Nm]
Description:	Sets the fixed, lower torque limit.		
Dependency:	Refer to: p1520, p1522, p1523		
Danger:	Positive values when setting the lower torque limit (p1521 > 0) can result in the motor accelerating in an uncontrollable fashion.		
			
Notice:	A BICO interconnection to a parameter that belongs to a drive data set always acts on the effective data set.		
Note:	The torque limit is limited to 400% of the rated motor torque. When automatically calculating the motor/closed-loop control parameters (p0340), the torque limit is set to match the current limit (p0640).		
p1522[0...n]	CI: Torque limit upper / M_max upper		
	Access level: 3	Calculated: -	Data type: U32 / FloatingPoint32
	Can be changed: T	Scaling: p2003	Data set: CDS, p0170
	Units group: -	Unit selection: -	
	Min -	Max -	Factory setting 1520[0]
Description:	Sets the signal source for the upper torque limit.		
Dependency:	Refer to: p1520, p1521, p1523		
Danger:	Negative values resulting from the signal source and scaling can cause the motor to accelerate in an uncontrolled manner.		
			
p1523[0...n]	CI: Torque limit lower / M_max lower		
	Access level: 3	Calculated: -	Data type: U32 / FloatingPoint32
	Can be changed: T	Scaling: p2003	Data set: CDS, p0170
	Units group: -	Unit selection: -	
	Min -	Max -	Factory setting 1521[0]
Description:	Sets the signal source for the lower torque limit.		
Dependency:	Refer to: p1520, p1521, p1522		
Danger:	Positive values resulting from the signal source and scaling can cause the motor to accelerate in an uncontrolled manner.		
			
p1524[0...n]	CO: Torque limit upper/motoring scaling / M_max up/mot scal		
	Access level: 3	Calculated: -	Data type: FloatingPoint32
	Can be changed: U, T	Scaling: PERCENT	Data set: DDS, p0180
	Units group: -	Unit selection: -	
	Min -2000.0 [%]	Max 2000.0 [%]	Factory setting 100.0 [%]
Description:	Sets the scaling for the upper torque limit or the torque limit when motoring.		
Notice:	A BICO interconnection to a parameter that belongs to a drive data set always acts on the effective data set.		
Note:	This parameter can be freely interconnected.		

p1525[0...n]	CO: Torque limit lower scaling / M_max lower scal		
	Access level: 3	Calculated: -	Data type: FloatingPoint32
	Can be changed: U, T	Scaling: PERCENT	Data set: DDS, p0180
	Units group: -	Unit selection: -	
	Min -2000.0 [%]	Max 2000.0 [%]	Factory setting 100.0 [%]
Description:	Sets the scaling for the lower torque limit.		
Notice:	A BICO interconnection to a parameter that belongs to a drive data set always acts on the effective data set.		
Note:	This parameter can be freely interconnected.		
r1526	CO: Torque limit upper without offset / M_max up w/o offs		
	Access level: 3	Calculated: -	Data type: FloatingPoint32
	Can be changed: -	Scaling: p2003	Data set: -
	Units group: 7_1	Unit selection: p0505	
	Min - [Nm]	Max - [Nm]	Factory setting - [Nm]
Description:	Displays the upper torque limit of all torque limits without offset.		
Dependency:	Refer to: p1520, p1521, p1522, p1523		
r1527	CO: Torque limit lower without offset / M_max low w/o offs		
	Access level: 3	Calculated: -	Data type: FloatingPoint32
	Can be changed: -	Scaling: p2003	Data set: -
	Units group: 7_1	Unit selection: p0505	
	Min - [Nm]	Max - [Nm]	Factory setting - [Nm]
Description:	Displays the lower torque limit of all torque limits without offset.		
Dependency:	Refer to: p1520, p1521, p1522, p1523		
p1530[0...n]	Power limit motoring / P_max mot		
	Access level: 2	Calculated: p0340 = 1,3,5	Data type: FloatingPoint32
	Can be changed: U, T	Scaling: -	Data set: DDS, p0180
	Units group: 14_5	Unit selection: p0505	
	Min 0.00 [kW]	Max 100000.00 [kW]	Factory setting 0.00 [kW]
Description:	Sets the power limit when motoring.		
Dependency:	Refer to: p0500, p1531		
Note:	The power limit is limited to 300% of the rated motor power.		
p1531[0...n]	Power limit regenerative / P_max gen		
	Access level: 2	Calculated: p0340 = 1,3,5	Data type: FloatingPoint32
	Can be changed: U, T	Scaling: -	Data set: DDS, p0180
	Units group: 14_5	Unit selection: p0505	
	Min -100000.00 [kW]	Max -0.01 [kW]	Factory setting -0.01 [kW]
Description:	Sets the regenerative power limit.		
Dependency:	Refer to: r0206, p0500, p1530		
Note:	The power limit is limited to 300% of the rated motor power. For power units without regenerative feedback into the line supply, the regenerative power limit is pre-set to 30% of the motoring power limit p1530 and in the ratio rated drive converter power to rated motor power. For power units with energy recovery, the parameter is limited to the negative value of r0206[2].		

r1533	Current limit torque-generating total / Iq_max total		
	Access level: 4	Calculated: -	Data type: FloatingPoint32
	Can be changed: -	Scaling: p2002	Data set: -
	Units group: 6_2	Unit selection: p0505	
	Min - [Arms]	Max - [Arms]	Factory setting - [Arms]
Description:	Displays the maximum torque/force generating current as a result if all current limits.		
r1538	CO: Upper effective torque limit / M_max upper eff		
	Access level: 2	Calculated: -	Data type: FloatingPoint32
	Can be changed: -	Scaling: p2003	Data set: -
	Units group: 7_1	Unit selection: p0505	
	Min - [Nm]	Max - [Nm]	Factory setting - [Nm]
Description:	Displays the currently effective upper torque limit.		
Note:	The effective upper torque limit is reduced with respect to the selected upper torque limit p1520, if the current limit p0640 is reduced or the rated magnetizing current of the induction motor p0320 is increased. This may be the case for rotating measurements (see p1960). The torque limit p1520 can be re-calculated using p0340 = 1, 3 or 5.		
r1539	CO: Lower effective torque limit / M_max lower eff		
	Access level: 2	Calculated: -	Data type: FloatingPoint32
	Can be changed: -	Scaling: p2003	Data set: -
	Units group: 7_1	Unit selection: p0505	
	Min - [Nm]	Max - [Nm]	Factory setting - [Nm]
Description:	Displays the currently effective lower torque limit.		
Note:	The effective lower torque limit is reduced with respect to the selected lower torque limit p1521, if the current limit p0640 is reduced or the rated magnetizing current of the induction motor p0320 is increased. This may be the case for rotating measurements (see p1960). The torque limit p1520 can be re-calculated using p0340 = 1, 3 or 5.		
r1547[0...1]	CO: Torque limit for speed controller output / M_max outp n_ctrl		
	Access level: 3	Calculated: -	Data type: FloatingPoint32
	Can be changed: -	Scaling: p2003	Data set: -
	Units group: 7_1	Unit selection: p0505	
	Min - [Nm]	Max - [Nm]	Factory setting - [Nm]
Description:	Displays the torque limit to limit the speed controller output.		
Index:	[0] = Upper limit [1] = Lower limit		

p1552[0...n]	CI: Torque limit upper scaling without offset / M_max up w/o offs		
	Access level: 3	Calculated: -	Data type: U32 / FloatingPoint32
	Can be changed: T	Scaling: PERCENT	Data set: CDS, p0170
	Units group: -	Unit selection: -	
	Min -	Max -	Factory setting 1
Description:	Sets the signal source for the scaling of the upper torque limiting to limit the speed controller output without taking into account the current and power limits.		
p1554[0...n]	CI: Torque limit lower scaling without offset / M_max low w/o offs		
	Access level: 3	Calculated: -	Data type: U32 / FloatingPoint32
	Can be changed: T	Scaling: PERCENT	Data set: CDS, p0170
	Units group: -	Unit selection: -	
	Min -	Max -	Factory setting 1
Description:	Sets the signal source for the scaling of the lower torque limiting to limit the speed controller output without taking into account the current and power limits.		
p1570[0...n]	CO: Flux setpoint / Flux setpoint		
	Access level: 3	Calculated: -	Data type: FloatingPoint32
	Can be changed: U, T	Scaling: PERCENT	Data set: DDS, p0180
	Units group: -	Unit selection: -	
	Min 50.0 [%]	Max 200.0 [%]	Factory setting 100.0 [%]
Description:	Sets the flux setpoint referred to rated motor flux.		
Notice:	A BICO interconnection to a parameter that belongs to a drive data set always acts on the effective data set.		
Note:	For p1570 > 100%, the flux setpoint increases as a function of the load from 100% (no-load operation) to the setting in p1570 (above rated motor torque), if p1580 > 0% has been set.		
p1571[0...n]	CI: Supplementary flux setpoint / Suppl flux setp		
	Access level: 3	Calculated: -	Data type: U32 / FloatingPoint32
	Can be changed: T	Scaling: p2003	Data set: CDS, p0170
	Units group: -	Unit selection: -	
	Min -	Max -	Factory setting 0
Description:	Sets the signal source for the supplementary flux setpoint.		
Notice:	Low flux setpoints can cause the drive to stall at higher loads. This is the reason that the flux setpoint should only be adapted for slow load changes.		
Note:	The supplementary flux setpoint is limited to +/- 50 %.		

p1580[0...n]	Efficiency optimization / Efficiency opt.		
	Access level: 3	Calculated: -	Data type: FloatingPoint32
	Can be changed: U, T	Scaling: -	Data set: DDS, p0180
	Units group: -	Unit selection: -	
	Min 0 [%]	Max 100 [%]	Factory setting 0 [%]
Description:	Sets the efficiency optimization. When optimizing the efficiency, the flux setpoint of the closed-loop control is adapted as a function of the load. For p1580 = 100 %, under no-load operating conditions, the flux setpoint is reduced to 50 % of the rated motor flux.		
Note:	It only makes sense to activate this function if the dynamic response requirements of the speed controller are low. In order to avoid oscillations, if required, the speed controller parameters should be adapted (increase Tn, reduce Kp). Further, the smoothing time of the flux setpoint filter (p1582) should be increased.		
p1582[0...n]	Flux setpoint smoothing time / Flux setp T_smth		
	Access level: 4	Calculated: p0340 = 1,3	Data type: FloatingPoint32
	Can be changed: U, T	Scaling: -	Data set: DDS, p0180
	Units group: -	Unit selection: -	
	Min 4 [ms]	Max 5000 [ms]	Factory setting 15 [ms]
Description:	Sets the smoothing time for the flux setpoint.		
r1598	CO: Total flux setpoint / Flux setp total		
	Access level: 3	Calculated: -	Data type: FloatingPoint32
	Can be changed: -	Scaling: PERCENT	Data set: -
	Units group: -	Unit selection: -	
	Min - [%]	Max - [%]	Factory setting - [%]
Description:	Displays the effective flux setpoint. The value is referred to the rated motor flux.		
p1610[0...n]	Torque setpoint static (SLVC) / M_set static		
	Access level: 2	Calculated: -	Data type: FloatingPoint32
	Can be changed: U, T	Scaling: -	Data set: DDS, p0180
	Units group: -	Unit selection: -	
	Min -200.0 [%]	Max 200.0 [%]	Factory setting 50.0 [%]
Description:	Sets the static torque setpoint for sensorless vector control (SLVC). This parameter is entered as a percentage referred to the rated motor torque. For sensorless vector control, when the motor model is shut down, an absolute current is impressed. p1610 represents the maximum load that occurs at a constant setpoint speed.		
Notice:	p1610 should always be set to at least 10 % higher than the maximum steady-state load that can occur.		
Note:	For p1610 = 0%, a current setpoint is calculated that corresponds to the no-load case (ASM: rated magnetizing current). For p1610 = 100 %, a current setpoint is calculated that corresponds to the rated motor torque. Negative values are converted into positive setpoints in the case of induction and permanent-magnet synchronous motors.		

p1611[0...n]	Supplementary accelerating torque (SLVC) / M_suppl_accel		
	Access level: 2	Calculated: p0340 = 1	Data type: FloatingPoint32
	Can be changed: U, T	Scaling: -	Data set: DDS, p0180
	Units group: -	Unit selection: -	
	Min 0.0 [%]	Max 200.0 [%]	Factory setting 30.0 [%]
Description:	Enters the dynamic torque setpoint for the low-speed range for sensorless vector control (SLVC). This parameter is entered as a percentage referred to the rated motor torque.		
Note:	When accelerating and braking p1611 is added to p1610 and the resulting total torque is converted into an appropriate current setpoint and controlled. For pure accelerating torques, it is always favorable to use the torque pre-control of the speed controller (p1496).		
r1624	Field-generating current setpoint, total / Id_setp total		
	Access level: 4	Calculated: -	Data type: FloatingPoint32
	Can be changed: -	Scaling: p2002	Data set: -
	Units group: 6_2	Unit selection: p0505	
	Min - [Arms]	Max - [Arms]	Factory setting - [Arms]
Description:	Displays the limited field-generating current setpoint (Id_setp). This value comprises the steady-state field-generating current setpoint and a dynamic component that is only set when changes are made to the flux setpoint.		
p1730[0...n]	Isd controller integral component shutdown threshold / Isd_ctrl I_thresh		
	Access level: 4	Calculated: p0340 = 1,3,4	Data type: FloatingPoint32
	Can be changed: U, T	Scaling: -	Data set: DDS, p0180
	Units group: -	Unit selection: -	
	Min 30 [%]	Max 150 [%]	Factory setting 30 [%]
Description:	Sets the speed activation threshold (referred to the synchronous speed) for pure quadrature branch operation of the closed-loop current control. The d current controller is only effective as P controller for speeds greater than the threshold value.		
Warning:	For settings above 80%, the d current controller is active up to the field weakening limit (maximum voltage) This can result in unstable behavior as the closed-loop control at the maximum voltage is based on pure quadrature branch operation. Setting values as high as this should not be selected; they are only intended for test purposes.		
	Note: The parameter is only effective for induction motor operation without an encoder.		
r1732[0...1]	CO: Direct-axis voltage setpoint / Direct U set		
	Access level: 3	Calculated: -	Data type: FloatingPoint32
	Can be changed: -	Scaling: p2001	Data set: -
	Units group: 5_1	Unit selection: p0505	
	Min - [Vrms]	Max - [Vrms]	Factory setting - [Vrms]
Description:	Displays the direct-axis voltage setpoint Ud.		
Index:	[0] = Unsmoothed [1] = Smoothed with p0045		

r1733[0...1]	CO: Quadrature-axis voltage setpoint / Quad U set		
	Access level: 3	Calculated: -	Data type: FloatingPoint32
	Can be changed: -	Scaling: p2001	Data set: -
	Units group: 5_1	Unit selection: p0505	
	Min - [Vrms]	Max - [Vrms]	Factory setting - [Vrms]
Description:	Displays the quadrature-axis component of voltage setpoint Uq.		
Index:	[0] = Unsmoothed [1] = Smoothed with p0045		
p1745[0...n]	Motor model error threshold stall detection / MotMod ThreshStall		
	Access level: 3	Calculated: p0340 = 1,3	Data type: FloatingPoint32
	Can be changed: U, T	Scaling: -	Data set: DDS, p0180
	Units group: -	Unit selection: -	
	Min 0.0 [%]	Max 1000.0 [%]	Factory setting 5.0 [%]
Description:	Sets the fault threshold in order to detect a motor that has stalled. If the error signal (r1746) exceeds the parameterized error threshold, then status signal r1408.12 is set to 1.		
Dependency:	If a stalled drive is detected (r1408.12 = 1), fault F07902 is output after the delay time.		
Note:	Monitoring is only effective in the low speed range.		
r1746	Motor model error signal stall detection / MotMod sig stall		
	Access level: 4	Calculated: -	Data type: FloatingPoint32
	Can be changed: -	Scaling: -	Data set: -
	Units group: -	Unit selection: -	
	Min - [%]	Max - [%]	Factory setting - [%]
Description:	Signal to initiate stall detection		
Note:	The signal is not calculated while magnetizing and only calculated in the low speed range.		
p1755[0...n]	Motor model changeover speed encoderless operation / MotMod n_chgSnsorI		
	Access level: 4	Calculated: p0340 = 1,3	Data type: FloatingPoint32
	Can be changed: U, T	Scaling: -	Data set: DDS, p0180
	Units group: 3_1	Unit selection: p0505	
	Min 0.00 [rpm]	Max 210000.00 [rpm]	Factory setting 210000.00 [rpm]
Description:	Sets the speed to change over the motor model to encoderless operation.		
Notice:	The changeover speed represents the steady-state minimum speed up to which the motor model can be used in steady-state operation without encoder. If the stability is not adequate close to the changeover speed, it may make sense to increase the parameter value.		
Note:	The changeover speed applies for the changeover between open-loop and closed-loop control mode.		
p1764[0...n]	Motor model without encoder speed adaptation Kp / MotMod woE n_adaKp		
	Access level: 4	Calculated: p0340 = 1,3,4	Data type: FloatingPoint32
	Can be changed: U, T	Scaling: -	Data set: DDS, p0180
	Units group: -	Unit selection: -	
	Min 0.000	Max 100000.000	Factory setting 1000.000
Description:	Sets the proportional gain of the controller for speed adaptation without encoder.		

p1767[0...n]	Motor model without encoder speed adaptation Tn / MotMod woE n_adaTn			
	Access level: 4	Calculated: p0340 = 1,3,4	Data type: FloatingPoint32	
	Can be changed: U, T	Scaling: -	Data set: DDS, p0180	
	Units group: -	Unit selection: -		
	Min 1 [ms]	Max 200 [ms]	Factory setting 4 [ms]	
Description:	Sets the integral time of the controller for speed adaptation without encoder			
p1780[0...n]	Motor model adaptation configuration / MotMod adapt conf			
	Access level: 4	Calculated: -	Data type: Unsigned16	
	Can be changed: U, T	Scaling: -	Data set: DDS, p0180	
	Units group: -	Unit selection: -		
	Min -	Max -	Factory setting 0101 1100 bin	
Description:	Sets the configuration for the adaptation circuit of the motor model. Induction motor (ASM): Rs, Lh, and offset compensation. Permanent magnet synchronous motor (PEM): kT			
Bit field:	Bit	Signal name	1 signal	0 signal
	01	Select motor model ASM Rs adaptation	Yes	No
	02	Select motor model ASM Lh adaptation	Yes	No
	03	Select motor model PEM kT adaptation	Yes	No
	04	Select motor model offset adaptation	Yes	No
	06	Select pole position identification PEM encoderless	Yes	No
	07	Select T(valve) with Rs adaptation	Yes	No
Note:	ASM: Induction motor PEM: Permanent magnet synchronous motor When selecting the compensation of the valve interlocking via Rs (bit 7), the compensation in the gating unit is deactivated and is instead taken into account in the motor model. In order that the correction values of the Rs, Lh and kT adaptation (selected using bit 0 ... bit 2) are correctly accepted when changing over the drive data set, a dedicated motor number must be entered for each different motor.			
p1784[0...n]	Motor model feedback scaling / Mod_FB_scal			
	Access level: 3	Calculated: p0340 = 1,3,4	Data type: FloatingPoint32	
	Can be changed: U, T	Scaling: -	Data set: DDS, p0180	
	Units group: -	Unit selection: -		
	Min 0.0 [%]	Max 1000.0 [%]	Factory setting 0.0 [%]	
Description:	Sets the scaling for model fault feedback.			
Note:	Feeding back the measured model fault to the model states increases the control stability and makes the motor model rugged against parameter errors. The model feedback is only effective for encoderless operation of the ASM. When feedback is selected (p1784 > 0), Lh adaptation is not effective.			
r1787[0...n]	Motor model Lh adaptation corrective value / MotMod Lh corr			
	Access level: 4	Calculated: -	Data type: FloatingPoint32	
	Can be changed: -	Scaling: -	Data set: DDS, p0180	
	Units group: -	Unit selection: -		
	Min - [mH]	Max - [mH]	Factory setting - [mH]	
Description:	Displays the corrective value for the Lh adaptation of the motor model for an induction motor (ASM).			
Dependency:	Refer to: p1780			
Note:	The adaptation result is reset if the magnetizing inductance of the induction motor is changed (p0360, r0382).			


p1800[0...n]	Pulse frequency setpoint / Pulse freq setp		
	Access level: 2	Calculated: -	Data type: FloatingPoint32
	Can be changed: U, T	Scaling: -	Data set: DDS, p0180
	Units group: -	Unit selection: -	
	Min 2.000 [kHz]	Max 16.000 [kHz]	Factory setting 4.000 [kHz]
Description:	Sets the pulse frequency for the converter. This parameter is pre-set to the rated converter value when the drive is first commissioned.		
Dependency:	Refer to: p0230		
Note:	The maximum possible pulse frequency is also determined by the power unit being used. When the pulse frequency is increased, depending on the particular power unit, the maximum output current can be reduced (derating, refer to r0067). If a sine-wave filter is parameterized as output filter (p0230 = 3), then the pulse frequency cannot be set below the minimum value required for the filter. For operation with output reactors, the pulse frequency is limited to 4 kHz (see p0230). If p1800 is changed during commissioning (p0010 > 0), then it is possible that the old value will no longer be able to be set. The reason for this is that the dynamic limits of p1800 have been changed by a parameter that was set when the drive was commissioned (e.g. p1082).		
r1801[0...1]	CO: Pulse frequency / Pulse frequency		
	Access level: 2	Calculated: -	Data type: FloatingPoint32
	Can be changed: -	Scaling: p2000	Data set: -
	Units group: -	Unit selection: -	
	Min - [kHz]	Max - [kHz]	Factory setting - [kHz]
Description:	Display and connector output for the actual converter switching frequency.		
Index:	[0] = Actual [1] = Modulator minimum value		
Note:	The selected pulse frequency (p1800) may be reduced if the drive converter has an overload condition (p0290).		
p1802[0...n]	Modulator mode / Modulator mode		
	Access level: 4	Calculated: p0340 = 1,3,5	Data type: Integer16
	Can be changed: T	Scaling: -	Data set: DDS, p0180
	Units group: -	Unit selection: -	
	Min 0	Max 10	Factory setting 0
Description:	Sets the modulator mode.		
Value:	0: Automatic changeover SVM/FLB 2: Space vector modulation (SVM) 3: SVM without overcontrol 4: SVM/FLB without overcontrol 10: SVM/FLB with modulation depth reduction		
Dependency:	If a sine-wave filter is parameterized as output filter (p0230 = 3, 4), then only space vector modulation without overcontrol can be selected as modulation type (p1802 = 3). Refer to: p0230, p0500		
Note:	When modulation modes are enabled that could lead to overmodulation (p1802 = 0, 2,10), the modulation depth must be limited using p1803 (default p1803 < 100 %). The higher the overmodulation, the greater the current ripple and torque ripple. When changing p1802[x], the values for all of the other existing indices are also changed.		

p1803[0...n]	Maximum modulation depth / Modulat depth max		
	Access level: 4	Calculated: p0340 = 1,3,5	Data type: FloatingPoint32
	Can be changed: U, T	Scaling: -	Data set: DDS, p0180
	Units group: -	Unit selection: -	
	Min 20.0 [%]	Max 150.0 [%]	Factory setting 106.0 [%]
Description:	Defines the maximum modulation depth.		
Dependency:	Refer to: p0500		
Note:	p1803 = 100% is the overcontrol limit for space vector modulation (for an ideal drive converter without any switching delay).		
p1806[0...n]	Filter time constant Vdc correction / T_filt Vdc_corr		
	Access level: 4	Calculated: p0340 = 1,3	Data type: FloatingPoint32
	Can be changed: U, T	Scaling: -	Data set: DDS, p0180
	Units group: -	Unit selection: -	
	Min 0.0 [ms]	Max 10000.0 [ms]	Factory setting 0.0 [ms]
Description:	Sets the filter time constant of the DC link voltage used to calculate the modulation depth.		
p1820[0...n]	Reverse the output phase sequence / Outp_ph_seq rev		
	Access level: 2	Calculated: -	Data type: Integer16
	Can be changed: C(2), T	Scaling: -	Data set: DDS, p0180
	Units group: -	Unit selection: -	
	Min 0	Max 1	Factory setting 0
Description:	Sets the phase sequence reversal for the motor without setpoint change. If the motor does not rotate in the required direction, then the output phase sequence can be reversed using this parameter. This means that the direction of the motor is reversed without the setpoint being changed.		
Value:	0: OFF 1: ON		
Note:	This setting can only be changed when the pulses are inhibited.		

p1900	Motor data identification and rotating measurement / MotID and rot meas		
	Access level: 2	Calculated: -	Data type: Integer16
	Can be changed: C(1), T	Scaling: -	Data set: -
	Units group: -	Unit selection: -	
	Min 0	Max 3	Factory setting 0
Description:	<p>Sets the motor data identification and speed controller optimization.</p> <p>p1900 = 0: Function inhibited.</p> <p>p1900 = 1: Sets p1910 = 1 and p1960 = 0, 1 depending on p1300 When the drive enable signals are present, a motor data identification routine is carried out at standstill with the next power-on command. Current flows through the motor which means that it can align itself by up to a quarter of a revolution. With the following power-on command, a rotating motor data identification routine is carried out - and in addition, a speed controller optimization by making measurements at different motor speeds.</p> <p>p1900 = 2: Sets p1910 = 1 and p1960 = 0 When the drive enable signals are present, a motor data identification routine is carried out at standstill with the next power-on command. Current flows through the motor which means that it can align itself by up to a quarter of a revolution.</p> <p>p1900 = 3: Sets p1960 = 0, 1 depending on p1300 This setting should only be selected if the motor data identification was already carried out at standstill. When the drive enable signals are present, with the next power-on command, a rotating motor data identification routine is carried out - and in addition, speed controller optimization by taking measurements at different motor speeds.</p>		
Value:	<p>0: Inhibited 1: Identify motor data at standstill and with motor rotating 2: Identify motor data at standstill 3: Identify motor data with motor rotating</p>		
Dependency:	<p>Refer to: p1300, p1910, p1960 Refer to: A07980, A07981, F07983, F07984, F07985, F07986, F07988, F07990, A07991</p>		
Notice:	<p>If there is a motor holding brake, it must be open (p1215 = 2). To permanently accept the determined settings they must be saved in a non-volatile fashion (p0971). For p0014 = 1, the following applies: After the value has been modified, no further parameter modifications can be made and the status is shown in r3996. Modifications can be made again when r3996 = 0.</p>		
Note:	<p>The motor and control parameters are only optimally set when both measurements are carried out (initially at standstill, and then with the motor rotating). An appropriate alarm is output when the parameter is set. The power-on command must remain set during a measurement and after the measurement has been completed, the drive automatically resets it. The duration of the measurements can lie between 0.3 s and several minutes. This time is, for example, influenced by the motor size and the mechanical conditions. p1900 is automatically set to 0 after the motor data identification routine has been completed.</p>		

p1909[0...n]	Motor data identification control word / MotID STW				
	Access level: 3		Calculated: p0340 = 1		Data type: Unsigned16
	Can be changed: T		Scaling: -		Data set: MDS
	Units group: -		Unit selection: -		
	Min		Max		Factory setting
	-		-		0000 0000 0000 0000 bin
Description:	Sets the configuration for the motor data identification.				
Bit field:	Bit	Signal name	1 signal	0 signal	FP
	00	Stator inductance estimate no measurement	Yes	No	-
	02	Rotor time constant estimate no measurement	Yes	No	-
	03	Leakage inductance estimate no measurement	Yes	No	-
	05	Determine Tr and Lsig evaluation in the time range	Yes	No	-
	06	Activate vibration damping	Yes	No	-
	07	De-activate vibration detection	Yes	No	-
	11	De-activate pulse measurement Lq Ld	Yes	No	-
	12	De-activate rotor resistance Rr measurement	Yes	No	-
	14	De-activate valve interlocking time measurement	Yes	No	-
	15	Determine only stator resistance, valve voltage fault, dead time	Yes	No	-
Note:	<p>The following applies to permanent-magnet synchronous motors:</p> <p>Without de-selection in bit 11, in the closed-loop control mode, the direct inductance LD and the quadrature inductance Lq are measured at a low current.</p> <p>When de-selecting with bit 11 or in the U/f mode, the stator inductance is measured at half the rated motor current. If the stator inductance is not measured but is to be estimated, then bit 0 should be set and bit 11 should be de-selected.</p>				

p1910 Motor data identification selection / MotID selection			
	Access level: 3	Calculated: -	Data type: Integer16
	Can be changed: T	Scaling: -	Data set: -
	Units group: -	Unit selection: -	
	Min 0	Max 26	Factory setting 0
Description:	<p>Sets the motor data identification routine. The motor data identification routine is carried out after the next power-on command. p1910 = 1: All motor data and the drive converter characteristics are identified and then transferred to the following parameters: p0350, p0354, p0356, p0357, p0358, p0360. After this, the control parameter p0340 = 3 is automatically calculated. p1910 = 20: Only for internal SIEMENS use.</p>		
Value:	<p>0: Inhibited 1: Complete identification (ID) and acceptance of motor data 2: Complete identification (ID) of motor data without acceptance 20: Voltage vector input 21: Voltage vector input without filter 22: Rectangular voltage vector input without filter 23: Triangular voltage vector input without filter 24: Rectangular voltage vector input with filter 25: Triangular voltage vector input with filter 26: Enter voltage vector with DTC correction</p>		
Dependency:	<p>"Quick commissioning" must be carried out (p0010 = 1, p3900 > 0) before executing the motor data identification routine! When selecting the motor data identification routine, the drive data set changeover is suppressed. Refer to: p1900</p>		
Caution:	<p>After the motor data identification (p1910 > 0) has been selected, alarm A07991 is output and a motor data identification routine is carried out as follows at the next power-on command:</p> <ul style="list-style-type: none"> - current flows through the motor and a voltage is present at the drive converter output terminals. - during the identification routine, the motor shaft can rotate through a maximum of half a revolution. - however, no torque torque is generated. 		
Notice:	<p>If there is a motor holding brake, it must be open (p1215 = 2). To permanently accept the determined settings they must be saved in a non-volatile fashion (p0971).</p>		
Note:	<p>When setting p1910, the following should be observed:</p> <ol style="list-style-type: none"> 1. "With acceptance" means: The parameters specified in the description are overwritten with the identified values and therefore have an influence on the controller setting. 2. "Without acceptance" means: The identified parameters are only displayed in the service parameter range. The controller settings remain unchanged. 		

p1959[0...n]	Rotating measurement configuration / Rot meas config				
	Access level: 3	Calculated: p0340 = 1	Data type: Unsigned16		
	Can be changed: T	Scaling: -	Data set: DDS, p0180		
	Units group: -	Unit selection: -			
	Min	Max	Factory setting		
	-	-	0001 1110 bin		
Description:	Sets the configuration of the rotating measurement.				
Bit field:	Bit	Signal name	1 signal	0 signal	FP
	01	Saturation characteristic identification	Yes	No	-
	02	Moment of inertia identification	Yes	No	-
	03	Re-calculates the speed controller parameters	Yes	No	-
	04	Speed controller optimization (vibration test)	Yes	No	-
Dependency:	Refer to: F07988				
Note:	The following parameters are influenced for the individual optimization steps:				
	Bit 01: p0320, p0360, p0362 ... p0369				
	Bit 02: p0341, p0342				
	Bit 03: p1470, p1472, p1496				
	Bit 04: Dependent on p1960				
	p1960 = 1, 3: p1470, p1472, p1496				
p1960	Rotating measurement selection / Rot meas sel				
	Access level: 3	Calculated: -	Data type: Integer16		
	Can be changed: T	Scaling: -	Data set: -		
	Units group: -	Unit selection: -			
	Min	Max	Factory setting		
	0	3	0		
Description:	Sets the rotating measurement.				
	The rotating measurement is carried out after the next power-on command.				
	The setting possibilities of the parameter depend on the open-loop/closed-loop control mode (p1300).				
	p1300 < 20 (U/f open-loop control):				
	It is not possible to select rotating measurement or speed controller optimization.				
	p1300 = 20, 22 (encoderless operation):				
	Only rotating measurement or speed controller optimization can be selected in the encoderless mode.				
Value:	0: Inhibited				
	1: Rotating measurement in encoderless operation				
	3: Speed controller optimization in encoderless operation				
Dependency:	Before the rotating measurement is carried out, the motor data identification routine (p1900, p1910, r3925) should have already been done.				
	When selecting the rotating measurement, the drive data set changeover is suppressed.				
	Refer to: p1300, p1900, p1959				
Danger:	For drives with a mechanical system that limits the distance moved, it must be ensured that this is not reached during the rotating measurement. If this is not the case, then it is not permissible that the measurement is carried out.				
					
Notice:	If there is a motor holding brake, it must be open (p1215 = 2).				
	To permanently accept the determined settings they must be saved in a non-volatile fashion (p0971).				
Note:	When the rotating measurement is activated, it is not possible to save the parameters (p0971).				
	Parameter changes are automatically made for the rotating measurement (e.g. p1120); this is the reason that up to the end of the measurement, and if no faults are present, no manual changes should be made.				
	The ramp-up and ramp-down times (p1120, p1121) are limited, for the rotating measurement, to 900 s.				

p1961	Saturation characteristic speed to determine / Sat_char n determ		
	Access level: 3	Calculated: -	Data type: FloatingPoint32
	Can be changed: U, T	Scaling: -	Data set: -
	Units group: -	Unit selection: -	
	Min 26 [%]	Max 75 [%]	Factory setting 40 [%]
Description:	Sets the speed to determine the saturation characteristic. The percentage value is referred to p0310 (rated motor frequency).		
Dependency:	Refer to: p0310, p1959 Refer to: F07983		
Note:	The saturation characteristics should be determined at an operating point with the lowest possible load.		
p1965	Speed_ctrl_opt speed / n_opt speed		
	Access level: 3	Calculated: -	Data type: FloatingPoint32
	Can be changed: U, T	Scaling: -	Data set: -
	Units group: -	Unit selection: -	
	Min 10 [%]	Max 75 [%]	Factory setting 40 [%]
Description:	Sets the speed for the identification of the moment of inertia and the vibration test. Induction motor: The percentage value is referred to p0310 (rated motor frequency). Synchronous motor: The percentage value is referred to the minimum from p0310 (rated motor frequency) and p1082 (maximum speed).		
Dependency:	Refer to: p0310, p1959 Refer to: F07984, F07985		
Note:	In order to calculate the inertia, sudden speed changes are carried out - the specified value corresponds to the lower speed setpoint. This value is increased by 20 % for the upper speed value. The q leakage inductance (refer to p1959 bit 5) is determined at zero speed and at 50% of p1965 - however, with a maximum output frequency of 15 Hz and at a minimum of 10% of the rated motor speed.		
p1967	Speed_ctrl_opt dynamic factor / n_opt dyn_factor		
	Access level: 3	Calculated: p0340 = 1	Data type: FloatingPoint32
	Can be changed: U, T	Scaling: -	Data set: -
	Units group: -	Unit selection: -	
	Min 1 [%]	Max 400 [%]	Factory setting 100 [%]
Description:	Sets the dynamic response factor for speed controller optimization.		
Dependency:	Refer to: p1959 Refer to: F07985		
Note:	For a rotating measurement, this parameter can be used to optimize the speed controller. p1967 = 100 % --> speed controller optimization according to a symmetric optimum. p1967 > 100 % --> optimization with a higher dynamic response (Kp higher, Tn lower).		

r1968	Speed_ctrl_opt dynamic factor actual / n_opt dyn_fact act		
	Access level: 4	Calculated: -	Data type: FloatingPoint32
	Can be changed: -	Scaling: -	Data set: -
	Units group: -	Unit selection: -	
	Min - [%]	Max - [%]	Factory setting - [%]
Description:	Displays the dynamic factor which is actually achieved for the vibration test		
Dependency:	Refer to: p1959, p1967 Refer to: F07985		
Note:	This dynamic factor only refers to the control mode of the speed controller set in p1960.		
p2000	Reference speed reference frequency / n_ref f_ref		
	Access level: 2	Calculated: p0340 = 1	Data type: FloatingPoint32
	Can be changed: T	Scaling: -	Data set: -
	Units group: -	Unit selection: -	
	Min 6.00 [rpm]	Max 210000.00 [rpm]	Factory setting 1500.00 [rpm]
Description:	Sets the reference quantity for speed and frequency. All speeds or frequencies specified as relative value are referred to this reference quantity. The reference quantity in this parameter corresponds to 100% or 4000 hex or 4000 0000 hex. The following applies: Reference frequency (in Hz) = reference speed (in ((rpm) / 60) x pole pair number).		
Dependency:	This parameter is only updated during the automatic calculation (p0340 = 1, p3900 > 0) if motor commissioning was carried out beforehand for drive data set zero. This means that the parameter is not locked against overwriting using p0573 = 1. Refer to: p2001, p2002, p2003, r2004, r3996		
Notice:	When the reference speed / reference frequency is changed, short-term communication interruptions may occur.		
Note:	If a BICO interconnection is established between different physical quantities, then the particular reference quantities are used as internal conversion factor. Example 1: The signal of an analog input (e.g. r0755[0]) is connected to a speed setpoint (e.g. p1070[0]). The actual percentage input value is cyclically converted into the absolute speed setpoint using the reference speed (p2000). Example 2: The setpoint from PROFIBUS (r2050[1]) is connected to a speed setpoint (e.g. p1070[0]). The actual input value is cyclically converted into a percentage value via the pre-specified scaling 4000 hex. This percentage value is converted to the absolute speed setpoint via reference speed (p2000).		

p2001	Reference voltage / Reference voltage		
	Access level: 3	Calculated: p0340 = 1	Data type: FloatingPoint32
	Can be changed: T	Scaling: -	Data set: -
	Units group: -	Unit selection: -	
	Min 10 [Vrms]	Max 100000 [Vrms]	Factory setting 1000 [Vrms]
Description:	Sets the reference quantity for voltages. All voltages specified as relative value are referred to this reference quantity. This also applies for direct voltage values (= rms value) like the DC-link voltage. The reference quantity in this parameter corresponds to 100% or 4000 hex or 4000 0000 hex.		
Dependency:	p2001 is only updated during automatic calculation (p0340 = 1, p3900 > 0) if motor commissioning has been carried out first for drive data set zero and as a result overwriting of the parameter has not been blocked by setting p0573 = 1. Refer to: r3996		
Notice:	When the reference voltage is changed, short-term communication interruptions may occur.		
Note:	If a BICO interconnection is established between different physical quantities, then the particular reference quantities are used as internal conversion factor. For infeed units, the parameterized device supply voltage (p0210) is pre-assigned as the reference quantity. Example: The actual value of the DC link voltage (r0070) is connected to a test socket (e.g. p0771[0]). The actual voltage value is cyclically converted into a percentage of the reference voltage (p2001) and output according to the parameterized scaling.		
p2002	Reference current / I_ref		
	Access level: 3	Calculated: p0340 = 1	Data type: FloatingPoint32
	Can be changed: T	Scaling: -	Data set: -
	Units group: -	Unit selection: -	
	Min 0.10 [Arms]	Max 100000.00 [Arms]	Factory setting 100.00 [Arms]
Description:	Sets the reference quantity for currents. All currents specified as relative value are referred to this reference quantity. The reference quantity in this parameter corresponds to 100% or 4000 hex or 4000 0000 hex.		
Dependency:	This parameter is only updated during the automatic calculation (p0340 = 1, p3900 > 0) if motor commissioning was carried out beforehand for drive data set zero. This means that the parameter is not locked against overwriting using p0573 = 1. Refer to: r3996		
Notice:	If various DDS are used with different motor data, then the reference quantities remain the same as these are not changed over with the DDS. The resulting conversion factor must be taken into account.		
	Example: p2002 = 100 A Reference quantity 100 A corresponds to 100 % p305[0] = 100 A Rated motor current 100 A for MDS0 in DDS0 --> 100 % corresponds to 100 % of the rated motor current p305[1] = 50 A Rated motor current 50 A for MDS1 in DDS1 --> 100 % corresponds to 200 % of the rated motor current		
Note:	When the reference current is changed, short-term communication interruptions may occur. If a BICO interconnection is established between different physical quantities, then the particular reference quantities are used as internal conversion factor. For infeed units, the rated line current, which is obtained from the rated power and parameterized rated line supply voltage (p2002 = r0206 / p0210 / 1.73) is pre-assigned as the reference quantity. Example: The actual value of a phase current (r0069[0]) is connected to a test socket (e.g. p0771[0]). The actual current value is cyclically converted into a percentage of the reference current (p2002) and output according to the parameterized scaling.		

p2003	Reference torque / M_ref		
	Access level: 3	Calculated: p0340 = 1	Data type: FloatingPoint32
	Can be changed: T	Scaling: -	Data set: -
	Units group: 7_2	Unit selection: p0505	
	Min 0.01 [Nm]	Max 20000000.00 [Nm]	Factory setting 1.00 [Nm]
Description:	Sets the reference quantity for torque. All torques specified as relative value are referred to this reference quantity. The reference quantity in this parameter corresponds to 100% or 4000 hex or 4000 0000 hex.		
Dependency:	This parameter is only updated during the automatic calculation (p0340 = 1, p3900 > 0) if motor commissioning was carried out beforehand for drive data set zero. This means that the parameter is not locked against overwriting using p0573 = 1. Refer to: r3996		
Notice:	When the reference torque is changed, short-term communication interruptions may occur.		
Note:	If a BICO interconnection is established between different physical quantities, then the particular reference quantities are used as internal conversion factor. Example: The actual value of the total torque (r0079) is connected to a test socket (e.g. p0771[0]). The actual torque is cyclically converted into a percentage of the reference torque (p2003) and output according to the parameterized scaling.		
r2004	Reference power / P_ref		
	Access level: 3	Calculated: -	Data type: FloatingPoint32
	Can be changed: -	Scaling: -	Data set: -
	Units group: 14_10	Unit selection: p0505	
	Min - [kW]	Max - [kW]	Factory setting - [kW]
Description:	Displays the reference quantity for power. All power ratings specified as relative value are referred to this reference quantity. The reference quantity in this parameter corresponds to 100% or 4000 hex or 4000 0000 hex.		
Dependency:	This value is calculated as follows: Infeed: Calculated from voltage times current. Closed-loop control: Calculated from torque times speed. Refer to: p2000, p2001, p2002, p2003		
Note:	If a BICO interconnection is established between different physical quantities, then the particular reference quantities are used as internal conversion factor. The reference power is calculated as follows: - $2 * \text{Pi} * \text{reference speed} / 60 * \text{reference torque}$ (motor) - $\text{reference voltage} * \text{reference current} * \text{root}(3)$ (infeed)		

p2006	Reference temp / Ref temp		
	Access level: 3	Calculated: p0340 = 1	Data type: FloatingPoint32
	Can be changed: T	Scaling: -	Data set: -
	Units group: -	Unit selection: -	
	Min 50.00 [°C]	Max 300.00 [°C]	Factory setting 100.00 [°C]
Description:	Sets the reference quantity for temperature. All temperatures specified as relative value are referred to this reference quantity. The reference quantity in this parameter corresponds to 100% or 4000 hex or 4000 0000 hex.		

p2010	Comm interface baud rate / Comm baud		
	Access level: 3	Calculated: -	Data type: Integer16
	Can be changed: T	Scaling: -	Data set: -
	Units group: -	Unit selection: -	
	Min 4	Max 12	Factory setting 12
Description:	Sets the baud rate for the commissioning interface (USS, RS232).		
Value:	4: 2400 baud 5: 4800 baud 6: 9600 baud 7: 19200 baud 8: 38400 baud 9: 57600 baud 10: 76800 baud 11: 93750 baud 12: 115200 baud		
Note:	Commissioning interface The parameter is not influenced by setting the factory setting.		

p2011	Comm int address / Comm add		
	Access level: 3	Calculated: -	Data type: Unsigned16
	Can be changed: T	Scaling: -	Data set: -
	Units group: -	Unit selection: -	
	Min 0	Max 31	Factory setting 2
Description:	Sets the address for the commissioning interface (USS, RS232).		
Note:	The parameter is not influenced by setting the factory setting.		

p2016[0...3]	CI: Comm IF USS PZD send word / Comm USS send word		
	Access level: 3	Calculated: -	Data type: U32 / Integer16
	Can be changed: U, T	Scaling: 4000H	Data set: -
	Units group: -	Unit selection: -	
	Min -	Max -	Factory setting 0
Description:	Selects the PZD (actual values) to be sent via the commissioning interface USS. The actual values are displayed on an intelligent operator panel (IOP).		
Index:	[0] = PZD 1 [1] = PZD 2 [2] = PZD 3 [3] = PZD 4		

p2020	Field bus interface baud rate / Field bus baud		
G120C USS/MB	Access level: 2	Calculated: -	Data type: Integer16
	Can be changed: T	Scaling: -	Data set: -
	Units group: -	Unit selection: -	
	Min	Max	Factory setting
	4	13	8
Description:	Sets the baud rate for the field bus interface (RS485).		
Value:	4: 2400 baud 5: 4800 baud 6: 9600 baud 7: 19200 baud 8: 38400 baud 9: 57600 baud 10: 76800 baud 11: 93750 baud 12: 115200 baud 13: 187500 baud		
Notice:	For p0014 = 1, the following applies: After the value has been modified, no further parameter modifications can be made and the status is shown in r3996. Modifications can be made again when r3996 = 0. For p0014 = 0, the following applies: Before a changed setting becomes permanently effective, a non-volatile RAM to ROM data save is required. To do this, set p0971 = 1 or p0014 = 1.		
Note:	Fieldbus SS: Fieldbus interface Changes only become effective after POWER ON. The parameter is not influenced by setting the factory setting. The parameter is set to the factory setting when the protocol is reselected. When p2030 = 1 (USS), the following applies: Min./max./factory setting: 4/13/8 When p2030 = 2 (MODBUS), the following applies: Min./max./factory setting: 5/13/7		

p2021		Field bus interface address / Field bus address		
G120C USS/MB	Access level: 2	Calculated: -	Data type: Unsigned16	
	Can be changed: T	Scaling: -	Data set: -	
	Units group: -	Unit selection: -		
	Min 0	Max 247	Factory setting 0	
Description:	Displays or sets the address for the fieldbus interface (RS485). The address can be set as follows: 1) Using the address switch on the Control Unit. --> p2021 displays the address setting. --> A change only becomes effective after a POWER ON. 2) Using p2021 --> Only if an address of 0 or an address which is invalid for the fieldbus selected in p2030 has been set using the address switch. --> The address is saved in a non-volatile fashion using the function "copy from RAM to ROM". --> A change only becomes effective after a POWER ON.			
Dependency:	Refer to: p2030			
Notice:	For p0014 = 1, the following applies: After the value has been modified, no further parameter modifications can be made and the status is shown in r3996. Modifications can be made again when r3996 = 0. For p0014 = 0, the following applies: Before a changed setting becomes permanently effective, a non-volatile RAM to ROM data save is required. To do this, set p0971 = 1 or p0014 = 1.			
Note:	Changes only become effective after POWER ON. The parameter is not influenced by setting the factory setting. The parameter is set to the factory setting when the protocol is reselected. When p2030 = 1 (USS), the following applies: Min./max./factory setting: 0/30/0 When p2030 = 2 (MODBUS), the following applies: Min./max./factory setting: 1/247/1			
p2022		Field bus int USS PZD no. / Field bus USS PZD		
G120C USS/MB	Access level: 2	Calculated: -	Data type: Unsigned16	
	Can be changed: T	Scaling: -	Data set: -	
	Units group: -	Unit selection: -		
	Min 0	Max 8	Factory setting 2	
Description:	Sets the number of 16-bit words in the PZD part of the USS telegram for the field bus interface.			
Dependency:	Refer to: p2030			
Note:	The parameter is not influenced by setting the factory setting.			
p2023		Field bus int USS PKW no. / Field bus USS PKW		
G120C USS/MB	Access level: 2	Calculated: -	Data type: Integer16	
	Can be changed: T	Scaling: -	Data set: -	
	Units group: -	Unit selection: -		
	Min 0	Max 127	Factory setting 127	
Description:	Sets the number of 16-bit words in the PKW part of the USS telegram for the field bus interface.			
Value:	0: PKW 0 words 3: PKW 3 words 4: PKW 4 words 127: PKW variable			
Dependency:	Refer to: p2030			
Note:	The parameter is not influenced by setting the factory setting.			

p2024[0...2]		Fieldbus interface times / Fieldbus times		
G120C USS/MB	Access level: 3	Calculated: -	Data type: FloatingPoint32	
	Can be changed: U, T	Scaling: -	Data set: -	
	Units group: -	Unit selection: -		
	Min 0 [ms]	Max 10000 [ms]	Factory setting [0] 1000 [ms] [1] 0 [ms] [2] 0 [ms]	
Description:	Sets the time values for the fieldbus interface. The following applies for MODBUS: p2024[0]: Maximum permissible telegram processing time of the MODBUS slave in which a reply is sent back to the MODBUS master. p2024[1]: Character delay time (time between individual characters in the telegram). p2024[2]: Telegram pause time (pause time between two telegrams).			
Index:	[0] = Max. processing time [1] = Character delay time [2] = Telegram pause time			
Dependency:	Refer to: p2020, p2030			
Note:	Re p2024[1,2] (MODBUS): If the field bus baud rate is changed (p2020), the default time settings are restored. The default setting is the time required for 1.5 characters (p2024[1]) or 3.5 characters (p2024[2]) (depending on the set baud rate).			
r2029[0...7]		Field bus int error statistics / Field bus error		
G120C USS/MB	Access level: 3	Calculated: -	Data type: Unsigned32	
	Can be changed: -	Scaling: -	Data set: -	
	Units group: -	Unit selection: -		
	Min -	Max -	Factory setting -	
Description:	Displays the receive errors on the field bus interface (RS485).			
Index:	[0] = Number of error-free telegrams [1] = Number of rejected telegrams [2] = Number of framing errors [3] = Number of overrun errors [4] = Number of parity errors [5] = Number of starting character errors [6] = Number of checksum errors [7] = Number of length errors			
p2030		Field bus int protocol selection / Field bus protocol		
G120C CAN	Access level: 1	Calculated: -	Data type: Integer16	
	Can be changed: T	Scaling: -	Data set: -	
	Units group: -	Unit selection: -		
	Min 0	Max 4	Factory setting 4	
Description:	Sets the communication protocol for the field bus interface.			
Value:	0: No protocol 4: CAN			
Notice:	For p0014 = 1, the following applies: After the value has been modified, no further parameter modifications can be made and the status is shown in r3996. Modifications can be made again when r3996 = 0.			
Note:	Changes only become effective after POWER ON. The parameter is not influenced by setting the factory setting.			

p2030		Field bus int protocol selection / Field bus protocol			
G120C DP	Access level: 1	Calculated: -	Data type: Integer16		
	Can be changed: T	Scaling: -	Data set: -		
	Units group: -	Unit selection: -			
	Min 0	Max 3	Factory setting 3		
Description:	Sets the communication protocol for the field bus interface.				
Value:	0: No protocol 3: PROFIBUS				
Notice:	For p0014 = 1, the following applies: After the value has been modified, no further parameter modifications can be made and the status is shown in r3996. Modifications can be made again when r3996 = 0.				
Note:	Changes only become effective after POWER ON. The parameter is not influenced by setting the factory setting.				
p2030		Field bus int protocol selection / Field bus protocol			
G120C USS/MB	Access level: 1	Calculated: -	Data type: Integer16		
	Can be changed: T	Scaling: -	Data set: -		
	Units group: -	Unit selection: -			
	Min 0	Max 2	Factory setting 0		
Description:	Sets the communication protocol for the field bus interface.				
Value:	0: No protocol 1: USS 2: MODBUS				
Notice:	For p0014 = 1, the following applies: After the value has been modified, no further parameter modifications can be made and the status is shown in r3996. Modifications can be made again when r3996 = 0.				
Note:	Changes only become effective after POWER ON. The parameter is not influenced by setting the factory setting.				
r2032		Master control, control word effective / PcCtrl STW eff			
	Access level: 3	Calculated: -	Data type: Unsigned16		
	Can be changed: -	Scaling: -	Data set: -		
	Units group: -	Unit selection: -			
	Min -	Max -	Factory setting -		
Description:	Displays the effective control word 1 (STW1) of the drive for the master control.				
Bit field:	Bit	Signal name	1 signal	0 signal	FP
	00	ON/OFF1	Yes	No	-
	01	OC / OFF2	Yes	No	-
	02	OC / OFF3	Yes	No	-
	03	Operation enable	Yes	No	-
	04	Ramp-function generator enable	Yes	No	-
	05	Start ramp-function generator	Yes	No	-
	06	Speed setpoint enable	Yes	No	-
	07	Acknowledge fault	Yes	No	-
	08	Jog bit 0	Yes	No	3030
	09	Jog bit 1	Yes	No	3030
	10	Master ctrl by PLC	Yes	No	-
Notice:	The master control only influences control word 1 and speed setpoint 1. Other control words/setpoints can be transferred from another automation device.				
Note:	OC: Operating condition				

p2037	PROFIdrive STW1.10 = 0 mode / PD STW1.10=0		
G120C DP	Access level: 3	Calculated: -	Data type: Integer16
	Can be changed: T	Scaling: -	Data set: -
	Units group: -	Unit selection: -	
	Min 0	Max 2	Factory setting 0
Description:	Sets the processing mode for PROFIdrive STW1.10 "master control by PLC". Generally, control world 1 is received with the first receive word (PZD1) (this is in conformance to the PROFIdrive profile). The behavior of STW1.10 = 0 corresponds to that of the PROFIdrive profile. For other applications that deviate from this, the behavior can be adapted using this particular parameter.		
Value:	0: Freeze setpoints and continue to process sign-of-life 1: Freeze setpoints and sign-of-life 2: Setpoints are not frozen		
Note:	If the STW1 is not transferred according to the PROFIdrive with PZD1 (with bit 10 "master control by PLC"), then p2037 should be set to 2.		
p2038	PROFIdrive STW/ZSW interface mode / PD STW/ZSW IF mode		
G120C DP	Access level: 3	Calculated: -	Data type: Integer16
	Can be changed: T	Scaling: -	Data set: -
	Units group: -	Unit selection: -	
	Min 0	Max 2	Factory setting 0
Description:	Sets the interface mode of the PROFIdrive control words and status words. When selecting a telegram via p0922 (p2079), this parameter influences the device-specific assignment of the bits in the control and status words.		
Value:	0: SINAMICS 2: VIK-NAMUR		
Dependency:	Refer to: p0922, p2079		
Notice:	The parameter may be protected as a result of p0922 or p2079 and cannot be changed.		
Note:	- For p0922 (p2079) = 1, 350 ... 999, p2038 is automatically set to 0. - For p0922 (p2079) = 20, p2038 is automatically set to 2. It is not then possible to change p2038.		
p2039	Select debug monitor interface / Debug monit select		
	Access level: 4	Calculated: -	Data type: Unsigned16
	Can be changed: U, T	Scaling: -	Data set: -
	Units group: -	Unit selection: -	
	Min 0	Max 3	Factory setting 0
Description:	The serial interface for the debug monitor is COM1 (commissioning interface, RS232) or COM2 (fieldbus interface, RS485). Value = 0: De-activated Value = 1: COM1, commissioning protocol is de-activated Value = 2: COM2, field bus is de-activated Value = 3: Reserved		
Note:	Value = 2 is only possible for Control Units with RS485 as a field bus interface.		

p2040	Fieldbus interface monitoring time / Fieldbus t_monit			
G120C USS/MB	Access level: 3	Calculated: -	Data type: FloatingPoint32	
	Can be changed: U, T	Scaling: -	Data set: -	
	Units group: -	Unit selection: -		
	Min 0 [ms]	Max 1999999 [ms]	Factory setting 100 [ms]	
Description:	Sets the monitoring time to monitor the process data received via the fieldbus interface. If no process data is received within this time, an appropriate message is output.			
Dependency:	Refer to: F01910			
Note:	0: The monitoring is de-activated.			
p2042	PROFIBUS Ident Number / PB Ident No.			
G120C DP	Access level: 3	Calculated: -	Data type: Integer16	
	Can be changed: T	Scaling: -	Data set: -	
	Units group: -	Unit selection: -		
	Min 0	Max 1	Factory setting 0	
Description:	Sets the PROFIBUS Ident Number (PNO-ID). SINAMICS can be operated with various identities on PROFIBUS. This allows the use of a PROFIBUS GSD that is independent of the device (e.g. PROFIdrive VIK-NAMUR with Ident Number 3AA0 hex).			
Value:	0: SINAMICS 1: VIK-NAMUR			
Notice:	For p0014 = 1, the following applies: After the value has been modified, no further parameter modifications can be made and the status is shown in r3996. Modifications can be made again when r3996 = 0.			
Note:	Every change only becomes effective after a POWER ON.			
r2043.0...2	BO: PROFIdrive PZD state / PD PZD state			
G120C DP	Access level: 3	Calculated: -	Data type: Unsigned8	
	Can be changed: -	Scaling: -	Data set: -	
	Units group: -	Unit selection: -		
	Min -	Max -	Factory setting -	
Description:	Displays the PROFIdrive PZD state.			
Bit field:	Bit	Signal name	1 signal	0 signal
	00	Setpoint failure	Yes	No
	02	Fieldbus oper	Yes	No
Dependency:	Refer to: p2044			
Note:	When using the "setpoint failure" signal, the bus can be monitored and an application-specific response triggered when the setpoint fails.			

p2044	PROFIdrive fault delay / PD fault delay		
G120C DP	Access level: 3	Calculated: -	Data type: FloatingPoint32
	Can be changed: U, T	Scaling: -	Data set: -
	Units group: -	Unit selection: -	
	Min 0 [s]	Max 100 [s]	Factory setting 0 [s]
Description:	Sets the delay time to initiate fault F01910 after a setpoint failure. The time until the fault is initiated can be used by the application. This means that it is possible to respond to the failure while the drive is still operational (e.g. emergency retraction).		
Dependency:	Refer to: r2043 Refer to: F01910		
p2047	PROFIBUS additional monitoring time / PB suppl t_monit		
G120C DP	Access level: 3	Calculated: -	Data type: FloatingPoint32
	Can be changed: U, T	Scaling: -	Data set: -
	Units group: -	Unit selection: -	
	Min 0 [ms]	Max 20000 [ms]	Factory setting 0 [ms]
Description:	Sets the additional monitoring time to monitor the process data received via PROFIBUS. The additional monitoring time enables short bus faults to be compensated. If no process data is received within this time, an appropriate message is output.		
Dependency:	Refer to: F01910		
Note:	For controller STOP, the additional monitoring time is not effective.		
r2050[0...7]	CO: PROFIBUS PZD receive word / PZD rcv word		
	Access level: 3	Calculated: -	Data type: Integer16
	Can be changed: -	Scaling: 4000H	Data set: -
	Units group: -	Unit selection: -	
	Min -	Max -	Factory setting -
Description:	Connector output to interconnect PZD (setpoints) with word format received from the fieldbus master.		
Index:	[0] = PZD 1 [1] = PZD 2 [2] = PZD 3 [3] = PZD 4 [4] = PZD 5 [5] = PZD 6 [6] = PZD 7 [7] = PZD 8		

p2051[0...7]	CI: PROFIdrive PZD send word / PZD send word		
G120C CAN	Access level: 3	Calculated: -	Data type: U32 / Integer16
G120C USS/MB	Can be changed: U, T	Scaling: 4000H	Data set: -
	Units group: -	Unit selection: -	
	Min	Max	Factory setting
	-	-	0
Description:	Selects the PZD (actual values) with word format to be sent to the fieldbus master.		
Index:	[0] = PZD 1 [1] = PZD 2 [2] = PZD 3 [3] = PZD 4 [4] = PZD 5 [5] = PZD 6 [6] = PZD 7 [7] = PZD 8		
Notice:	The parameter may be protected as a result of p0922 or p2079 and cannot be changed.		

p2051[0...7]	CI: PROFIdrive PZD send word / PZD send word		
G120C DP	Access level: 3	Calculated: -	Data type: U32 / Integer16
	Can be changed: U, T	Scaling: 4000H	Data set: -
	Units group: -	Unit selection: -	
	Min	Max	Factory setting
	-	-	[0] 2089[0] [1] 63[0] [2...7] 0
Description:	Selects the PZD (actual values) with word format to be sent to the fieldbus master.		
Index:	[0] = PZD 1 [1] = PZD 2 [2] = PZD 3 [3] = PZD 4 [4] = PZD 5 [5] = PZD 6 [6] = PZD 7 [7] = PZD 8		
Notice:	The parameter may be protected as a result of p0922 or p2079 and cannot be changed.		

r2053[0...7] PROFIdrive diagnostics send PZD word / Diag send word					
	Access level: 3		Calculated: -		Data type: Unsigned16
	Can be changed: -		Scaling: -		Data set: -
	Units group: -		Unit selection: -		
	Min		Max		Factory setting
	-		-		-
Description:	Displays the PZD (actual values) with word format sent to the fieldbus master.				
Index:	[0] = PZD 1 [1] = PZD 2 [2] = PZD 3 [3] = PZD 4 [4] = PZD 5 [5] = PZD 6 [6] = PZD 7 [7] = PZD 8				
Bit field:	Bit	Signal name	1 signal	0 signal	FP
	00	Bit 0	ON	OFF	-
	01	Bit 1	ON	OFF	-
	02	Bit 2	ON	OFF	-
	03	Bit 3	ON	OFF	-
	04	Bit 4	ON	OFF	-
	05	Bit 5	ON	OFF	-
	06	Bit 6	ON	OFF	-
	07	Bit 7	ON	OFF	-
	08	Bit 8	ON	OFF	-
	09	Bit 9	ON	OFF	-
	10	Bit 10	ON	OFF	-
	11	Bit 11	ON	OFF	-
	12	Bit 12	ON	OFF	-
	13	Bit 13	ON	OFF	-
	14	Bit 14	ON	OFF	-
	15	Bit 15	ON	OFF	-

r2054 PROFIBUS status / PB status					
G120C DP	Access level: 3		Calculated: -		Data type: Integer16
	Can be changed: -		Scaling: -		Data set: -
	Units group: -		Unit selection: -		
	Min		Max		Factory setting
	0		4		-
Description:	Status display for the PROFIBUS interface.				
Value:	0: OFF 1: No connection (search for baud rate) 2: Connection OK (baud rate found) 3: Cyclic connection with master (data exchange) 4: Cyclic data OK				

r2055[0...2] PROFIBUS diagnostics standard / PB diag standard					
G120C DP	Access level: 3		Calculated: -		Data type: Unsigned16
	Can be changed: -		Scaling: -		Data set: -
	Units group: -		Unit selection: -		
	Min		Max		Factory setting
	-		-		-
Description:	Diagnostics display for the PROFIBUS interface.				
Index:	[0] = Master bus address [1] = Master input total length bytes [2] = Master output total length bytes				

r2074[0...7] PROFIdrive diagnostics bus address PZD receive / Diag addr recv			
G120C DP	Access level: 3	Calculated: -	Data type: Unsigned16
	Can be changed: -	Scaling: -	Data set: -
	Units group: -	Unit selection: -	
	Min	Max	Factory setting
	-	-	-
Description:	Displays the PROFIBUS address of the sender from which the process data (PZD) is received.		
Index:	[0] = PZD 1 [1] = PZD 2 [2] = PZD 3 [3] = PZD 4 [4] = PZD 5 [5] = PZD 6 [6] = PZD 7 [7] = PZD 8		
Note:	Value range: 0 - 125: Bus address of the sender 255: Not assigned		
r2075[0...7] PROFIdrive diagnostics telegram offset PZD receive / Diag offs recv			
G120C DP	Access level: 3	Calculated: -	Data type: Unsigned16
	Can be changed: -	Scaling: -	Data set: -
	Units group: -	Unit selection: -	
	Min	Max	Factory setting
	-	-	-
Description:	Displays the PZD byte offset in the PROFIdrive receive telegram (controller output).		
Index:	[0] = PZD 1 [1] = PZD 2 [2] = PZD 3 [3] = PZD 4 [4] = PZD 5 [5] = PZD 6 [6] = PZD 7 [7] = PZD 8		
Note:	Value range: 0 - 242: Byte offset 65535: not assigned		
r2076[0...7] PROFIdrive diagnostics telegram offset PZD send / Diag offs send			
G120C DP	Access level: 3	Calculated: -	Data type: Unsigned16
	Can be changed: -	Scaling: -	Data set: -
	Units group: -	Unit selection: -	
	Min	Max	Factory setting
	-	-	-
Description:	Displays the PZD byte offset in the PROFIdrive send telegram (controller input).		
Index:	[0] = PZD 1 [1] = PZD 2 [2] = PZD 3 [3] = PZD 4 [4] = PZD 5 [5] = PZD 6 [6] = PZD 7 [7] = PZD 8		
Note:	Value range: 0 - 242: Byte offset 65535: not assigned		

r2077[0...15]	PROFIBUS diagnostics peer-to-peer data transfer addresses / PB diag peer addr		
G120C DP	Access level: 3	Calculated: -	Data type: Unsigned8
	Can be changed: -	Scaling: -	Data set: -
	Units group: -	Unit selection: -	
	Min	Max	Factory setting
	-	-	-
Description:	Displays the addresses of the slaves (peers) where peer-to-peer data transfer has been configured via PROFIBUS.		
p2079	PROFdrive PZD telegram selection extended / PD PZD tel ext		
G120C DP	Access level: 3	Calculated: -	Data type: Integer16
	Can be changed: T	Scaling: -	Data set: -
	Units group: -	Unit selection: -	
	Min	Max	Factory setting
	1	999	1
Description:	Sets the send and receive telegram. Contrary to p0922, a telegram can be selected using p2079 and subsequently expanded. For p0922 < 999 the following applies: p2079 has the same value and is inhibited. All of the interconnections and extensions contained in the telegram are inhibited. For p0922 = 999 the following applies: p2079 can be freely set. If p2079 is also set to 999, then all of the interconnections can be set. For p0922 = 999 and p2079 < 999 the following applies: The interconnections contained in the telegram are inhibited. However, the telegram can be extended.		
Value:	1: Standard telegram 1, PZD-2/2 20: Standard telegram 20, PZD-2/6 350: SIEMENS telegram 350, PZD-4/4 352: SIEMENS telegram 352, PZD-6/6 353: SIEMENS telegram 353, PZD-2/2, PKW-4/4 354: SIEMENS telegram 354, PZD-6/6, PKW-4/4 999: Free telegram configuration with BICO		
Dependency:	Refer to: p0922		
p2080[0...15]	BI: Binector-connector converter status word 1 / Bin/con ZSW1		
G120C CAN	Access level: 3	Calculated: -	Data type: U32 / Binary
G120C USS/MB	Can be changed: U, T	Scaling: -	Data set: -
	Units group: -	Unit selection: -	
	Min	Max	Factory setting
	-	-	0
Description:	Selects bits to be sent to the PROFdrive controller. The individual bits are combined to form status word 1.		
Index:	[0] = Bit 0 [1] = Bit 1 [2] = Bit 2 [3] = Bit 3 [4] = Bit 4 [5] = Bit 5 [6] = Bit 6 [7] = Bit 7 [8] = Bit 8 [9] = Bit 9 [10] = Bit 10 [11] = Bit 11 [12] = Bit 12 [13] = Bit 13 [14] = Bit 14 [15] = Bit 15		
Dependency:	Refer to: p2088, r2089		
Notice:	The parameter may be protected as a result of p0922 or p2079 and cannot be changed.		

p2080[0...15] BI: Binector-connector converter status word 1 / Bin/con ZSW1			
G120C DP	Access level: 3	Calculated: -	Data type: U32 / Binary
	Can be changed: U, T	Scaling: -	Data set: -
	Units group: -	Unit selection: -	
	Min	Max	Factory setting
	-	-	[0] 899.0
			[1] 899.1
			[2] 899.2
			[3] 2139.3
			[4] 899.4
			[5] 899.5
			[6] 899.6
			[7] 2139.7
			[8] 2197.7
			[9] 899.9
			[10] 2199.1
			[11] 1407.7
			[12] 899.12
			[13] 2135.14
			[14] 2197.3
			[15] 2135.15
Description:	Selects bits to be sent to the PROFIdrive controller. The individual bits are combined to form status word 1.		
Index:	[0] = Bit 0 [1] = Bit 1 [2] = Bit 2 [3] = Bit 3 [4] = Bit 4 [5] = Bit 5 [6] = Bit 6 [7] = Bit 7 [8] = Bit 8 [9] = Bit 9 [10] = Bit 10 [11] = Bit 11 [12] = Bit 12 [13] = Bit 13 [14] = Bit 14 [15] = Bit 15		
Dependency:	Refer to: p2088, r2089		
Notice:	The parameter may be protected as a result of p0922 or p2079 and cannot be changed.		

p2088[0...4]		Invert binector-connector converter status word / Bin/con ZSW inv			
G120C CAN	Access level: 3	Calculated: -	Data type: Unsigned16		
G120C USS/MB	Can be changed: U, T	Scaling: -	Data set: -		
	Units group: -	Unit selection: -			
	Min	Max	Factory setting		
	-	-	0000 0000 0000 0000 bin		
Description:	Setting to invert the individual binector inputs of the binector connector converter.				
Index:	[0] = Status word 1 [1] = Status word 2 [2] = Free status word 3 [3] = Free status word 4 [4] = Free status word 5				
Bit field:	Bit	Signal name	1 signal	0 signal	FP
	00	Bit 0	Inverted	Not inverted	-
	01	Bit 1	Inverted	Not inverted	-
	02	Bit 2	Inverted	Not inverted	-
	03	Bit 3	Inverted	Not inverted	-
	04	Bit 4	Inverted	Not inverted	-
	05	Bit 5	Inverted	Not inverted	-
	06	Bit 6	Inverted	Not inverted	-
	07	Bit 7	Inverted	Not inverted	-
	08	Bit 8	Inverted	Not inverted	-
	09	Bit 9	Inverted	Not inverted	-
	10	Bit 10	Inverted	Not inverted	-
	11	Bit 11	Inverted	Not inverted	-
	12	Bit 12	Inverted	Not inverted	-
	13	Bit 13	Inverted	Not inverted	-
	14	Bit 14	Inverted	Not inverted	-
	15	Bit 15	Inverted	Not inverted	-
Dependency:	Refer to: p2080, r2089				

p2088[0...4]		Invert binector-connector converter status word / Bin/con ZSW inv			
G120C DP	Access level: 3	Calculated: -	Data type: Unsigned16		
	Can be changed: U, T	Scaling: -	Data set: -		
	Units group: -	Unit selection: -			
	Min	Max	Factory setting		
	-	-	[0] 1010 1000 0000 0000 bin [1...4] 0000 0000 0000 0000 bin		
Description:	Setting to invert the individual binector inputs of the binector connector converter.				
Index:	[0] = Status word 1 [1] = Status word 2 [2] = Free status word 3 [3] = Free status word 4 [4] = Free status word 5				
Bit field:	Bit	Signal name	1 signal	0 signal	FP
	00	Bit 0	Inverted	Not inverted	-
	01	Bit 1	Inverted	Not inverted	-
	02	Bit 2	Inverted	Not inverted	-
	03	Bit 3	Inverted	Not inverted	-
	04	Bit 4	Inverted	Not inverted	-
	05	Bit 5	Inverted	Not inverted	-
	06	Bit 6	Inverted	Not inverted	-
	07	Bit 7	Inverted	Not inverted	-
	08	Bit 8	Inverted	Not inverted	-
	09	Bit 9	Inverted	Not inverted	-
	10	Bit 10	Inverted	Not inverted	-
	11	Bit 11	Inverted	Not inverted	-
	12	Bit 12	Inverted	Not inverted	-
	13	Bit 13	Inverted	Not inverted	-
	14	Bit 14	Inverted	Not inverted	-
	15	Bit 15	Inverted	Not inverted	-
Dependency:	Refer to: p2080, r2089				

r2089[0...4] CO: Send binector-connector converter status word / Bin/con ZSW send

Access level: 3 Calculated: - Data type: Unsigned16

Can be changed: - Scaling: - Data set: -

Units group: - Unit selection: -

Min Max Factory setting

-

-

-

Description: Connector output to interconnect the status words to a PZD send word.**Index:**
[0] = Status word 1
[1] = Status word 2
[2] = Free status word 3
[3] = Free status word 4
[4] = Free status word 5

Bit field:	Bit	Signal name	1 signal	0 signal	FP
	00	Bit 0	ON	OFF	-
	01	Bit 1	ON	OFF	-
	02	Bit 2	ON	OFF	-
	03	Bit 3	ON	OFF	-
	04	Bit 4	ON	OFF	-
	05	Bit 5	ON	OFF	-
	06	Bit 6	ON	OFF	-
	07	Bit 7	ON	OFF	-
	08	Bit 8	ON	OFF	-
	09	Bit 9	ON	OFF	-
	10	Bit 10	ON	OFF	-
	11	Bit 11	ON	OFF	-
	12	Bit 12	ON	OFF	-
	13	Bit 13	ON	OFF	-
	14	Bit 14	ON	OFF	-
	15	Bit 15	ON	OFF	-

Dependency: Refer to: p2051, p2080**r2090.0...15 BO: PROFIdrive PZD1 receive bit-serial / PZD1 recv bitw**

Access level: 3 Calculated: - Data type: Unsigned16

Can be changed: - Scaling: - Data set: -

Units group: - Unit selection: -

Min Max Factory setting

-

-

-

Description: Binector output for bit-serial interconnection of PZD1 (normally control word 1) received from the PROFIdrive controller.

Bit field:	Bit	Signal name	1 signal	0 signal	FP
	00	Bit 0	ON	OFF	-
	01	Bit 1	ON	OFF	-
	02	Bit 2	ON	OFF	-
	03	Bit 3	ON	OFF	-
	04	Bit 4	ON	OFF	-
	05	Bit 5	ON	OFF	-
	06	Bit 6	ON	OFF	-
	07	Bit 7	ON	OFF	-
	08	Bit 8	ON	OFF	-
	09	Bit 9	ON	OFF	-
	10	Bit 10	ON	OFF	-
	11	Bit 11	ON	OFF	-
	12	Bit 12	ON	OFF	-
	13	Bit 13	ON	OFF	-
	14	Bit 14	ON	OFF	-
	15	Bit 15	ON	OFF	-

r2091.0...15	BO: PROFIdrive PZD2 receive bit-serial / PZD2 recv bitw		
	Access level: 3	Calculated: -	Data type: Unsigned16
	Can be changed: -	Scaling: -	Data set: -
	Units group: -	Unit selection: -	

Min	Max	Factory setting
-	-	-

Description: Binector output for bit-serial interconnection of PZD2 received from the PROFIdrive controller.

Bit field:	Bit	Signal name	1 signal	0 signal	FP
	00	Bit 0	ON	OFF	-
	01	Bit 1	ON	OFF	-
	02	Bit 2	ON	OFF	-
	03	Bit 3	ON	OFF	-
	04	Bit 4	ON	OFF	-
	05	Bit 5	ON	OFF	-
	06	Bit 6	ON	OFF	-
	07	Bit 7	ON	OFF	-
	08	Bit 8	ON	OFF	-
	09	Bit 9	ON	OFF	-
	10	Bit 10	ON	OFF	-
	11	Bit 11	ON	OFF	-
	12	Bit 12	ON	OFF	-
	13	Bit 13	ON	OFF	-
	14	Bit 14	ON	OFF	-
	15	Bit 15	ON	OFF	-

r2092.0...15	BO: PROFIdrive PZD3 receive bit-serial / PZD3 recv bitw		
	Access level: 3	Calculated: -	Data type: Unsigned16
	Can be changed: -	Scaling: -	Data set: -
	Units group: -	Unit selection: -	

Min	Max	Factory setting
-	-	-

Description: Binector output for bit-serial interconnection of PZD3 received from the PROFIdrive controller.

Bit field:	Bit	Signal name	1 signal	0 signal	FP
	00	Bit 0	ON	OFF	-
	01	Bit 1	ON	OFF	-
	02	Bit 2	ON	OFF	-
	03	Bit 3	ON	OFF	-
	04	Bit 4	ON	OFF	-
	05	Bit 5	ON	OFF	-
	06	Bit 6	ON	OFF	-
	07	Bit 7	ON	OFF	-
	08	Bit 8	ON	OFF	-
	09	Bit 9	ON	OFF	-
	10	Bit 10	ON	OFF	-
	11	Bit 11	ON	OFF	-
	12	Bit 12	ON	OFF	-
	13	Bit 13	ON	OFF	-
	14	Bit 14	ON	OFF	-
	15	Bit 15	ON	OFF	-

r2093.0...15		BO: PROFIdrive PZD4 receive bit-serial / PZD4 recv bitw			
Access level: 3		Calculated: -		Data type: Unsigned16	
Can be changed: -		Scaling: -		Data set: -	
Units group: -		Unit selection: -			
Min		Max		Factory setting	
-		-		-	
Description:	Binector output for bit-serial interconnection of PZD4 (normally control word 2) received from the PROFIdrive controller.				
Bit field:	Bit	Signal name	1 signal	0 signal	FP
	00	Bit 0	ON	OFF	-
	01	Bit 1	ON	OFF	-
	02	Bit 2	ON	OFF	-
	03	Bit 3	ON	OFF	-
	04	Bit 4	ON	OFF	-
	05	Bit 5	ON	OFF	-
	06	Bit 6	ON	OFF	-
	07	Bit 7	ON	OFF	-
	08	Bit 8	ON	OFF	-
	09	Bit 9	ON	OFF	-
	10	Bit 10	ON	OFF	-
	11	Bit 11	ON	OFF	-
	12	Bit 12	ON	OFF	-
	13	Bit 13	ON	OFF	-
	14	Bit 14	ON	OFF	-
	15	Bit 15	ON	OFF	-

r2094.0...15		BO: Connector-binector converter binector output / Con/bin outp			
Access level: 3		Calculated: -		Data type: Unsigned16	
Can be changed: -		Scaling: -		Data set: -	
Units group: -		Unit selection: -			
Min		Max		Factory setting	
-		-		-	
Description:	Binector output for bit-serial onward interconnection of a PZD word received from the PROFIdrive controller. The PZD is selected via p2099[0].				
Bit field:	Bit	Signal name	1 signal	0 signal	FP
	00	Bit 0	ON	OFF	-
	01	Bit 1	ON	OFF	-
	02	Bit 2	ON	OFF	-
	03	Bit 3	ON	OFF	-
	04	Bit 4	ON	OFF	-
	05	Bit 5	ON	OFF	-
	06	Bit 6	ON	OFF	-
	07	Bit 7	ON	OFF	-
	08	Bit 8	ON	OFF	-
	09	Bit 9	ON	OFF	-
	10	Bit 10	ON	OFF	-
	11	Bit 11	ON	OFF	-
	12	Bit 12	ON	OFF	-
	13	Bit 13	ON	OFF	-
	14	Bit 14	ON	OFF	-
	15	Bit 15	ON	OFF	-

r2095.0...15	BO: Connector-binector converter binector output / Con/bin outp		
	Access level: 3	Calculated: -	Data type: Unsigned16
	Can be changed: -	Scaling: -	Data set: -
	Units group: -	Unit selection: -	
	Min	Max	Factory setting
	-	-	-

Description: Binector output for bit-serial interconnection of a PZD word received from the PROFIdrive controller.
The PZD is selected via p2099[1].

Bit field:	Bit	Signal name	1 signal	0 signal	FP
	00	Bit 0	ON	OFF	-
	01	Bit 1	ON	OFF	-
	02	Bit 2	ON	OFF	-
	03	Bit 3	ON	OFF	-
	04	Bit 4	ON	OFF	-
	05	Bit 5	ON	OFF	-
	06	Bit 6	ON	OFF	-
	07	Bit 7	ON	OFF	-
	08	Bit 8	ON	OFF	-
	09	Bit 9	ON	OFF	-
	10	Bit 10	ON	OFF	-
	11	Bit 11	ON	OFF	-
	12	Bit 12	ON	OFF	-
	13	Bit 13	ON	OFF	-
	14	Bit 14	ON	OFF	-
	15	Bit 15	ON	OFF	-

p2100[0...19]	Setting the fault number for fault response / F_no F response		
	Access level: 3	Calculated: -	Data type: Unsigned16
	Can be changed: U, T	Scaling: -	Data set: -
	Units group: -	Unit selection: -	
	Min	Max	Factory setting
	0	65535	0

Description: Selects the faults for which the fault response should be changed

Dependency: The fault is selected and the required response is set under the same index.
Refer to: p2101

Notice: For the following cases, it is not possible to re-parameterize the fault response to a fault:

- if there is no existing fault number.
- the message type is not "fault" (F).
- when a fault is present.

p2101[0...19] Setting the fault response / Fault response

Access level: 3	Calculated: -	Data type: Integer16
Can be changed: U, T	Scaling: -	Data set: -
Units group: -	Unit selection: -	
Min 0	Max 6	Factory setting 0

Description: Sets the fault response for the selected fault.

Value:
 0: NONE
 1: OFF1
 2: OFF2
 3: OFF3
 5: STOP2
 6: Internal armature short-circuit / DC braking

Dependency: The fault is selected and the required response is set under the same index.
Refer to: p2100

Notice: It is not possible to re-parameterize the response to a specific fault for faults that are already present (queued).

Note: The fault response can only be changed for faults with the appropriate identification.

Example:

F12345 and fault response = NONE (OFF1, OFF2)

--> The fault response NONE can be changed to OFF1 or OFF2.

Re value = 1 (OFF1):

Braking along the ramp-function generator down ramp followed by a pulse inhibit.

Re value = 2 (OFF2):

Internal/external pulse inhibit.

Re value = 3 (OFF3):

Braking along the OFF3 down ramp followed by a pulse inhibit.

Re value = 5 (STOP2):

n_set = 0

Re value = 6 (armature short-circuit, internal/DC braking):

This value can only be set for all drive data sets when p1231 = 4.

a) DC braking is not possible for synchronous motors.

b) DC braking is possible for induction motors.

p2103[0...n] BI: 1. Acknowledge faults / 1. Acknowledge

G120C CAN	Access level: 3	Calculated: -	Data type: U32 / Binary
G120C USS/MB	Can be changed: U, T	Scaling: -	Data set: CDS, p0170
	Units group: -	Unit selection: -	
	Min -	Max -	Factory setting [0] 722.2 [1] 0

Description: Sets the first signal source to acknowledge faults.

Notice: The parameter may be protected as a result of p0922 or p2079 and cannot be changed.

Note: A fault acknowledgement is triggered with a 0/1 signal.

p2103[0...n] BI: 1. Acknowledge faults / 1. Acknowledge

G120C DP	Access level: 3	Calculated: -	Data type: U32 / Binary
	Can be changed: U, T	Scaling: -	Data set: CDS, p0170
	Units group: -	Unit selection: -	
	Min -	Max -	Factory setting [0] 2090.7 [1] 722.2

Description: Sets the first signal source to acknowledge faults.

Notice: The parameter may be protected as a result of p0922 or p2079 and cannot be changed.

Note: A fault acknowledgement is triggered with a 0/1 signal.

p2104[0...n]	BI: 2. Acknowledge faults / 2. Acknowledge		
G120C CAN	Access level: 3	Calculated: -	Data type: U32 / Binary
G120C USS/MB	Can be changed: U, T	Scaling: -	Data set: CDS, p0170
	Units group: -	Unit selection: -	
	Min	Max	Factory setting
	-	-	0
Description:	Sets the second signal source to acknowledge faults.		
Note:	A fault acknowledgement is triggered with a 0/1 signal.		

p2104[0...n]	BI: 2. Acknowledge faults / 2. Acknowledge		
G120C DP	Access level: 3	Calculated: -	Data type: U32 / Binary
	Can be changed: U, T	Scaling: -	Data set: CDS, p0170
	Units group: -	Unit selection: -	
	Min	Max	Factory setting
	-	-	[0] 722.2 [1] 0
Description:	Sets the second signal source to acknowledge faults.		
Note:	A fault acknowledgement is triggered with a 0/1 signal.		

p2106[0...n]	BI: External fault 1 / External fault 1		
	Access level: 3	Calculated: -	Data type: U32 / Binary
	Can be changed: U, T	Scaling: -	Data set: CDS, p0170
	Units group: -	Unit selection: -	
	Min	Max	Factory setting
	-	-	1
Description:	Sets the signal source for external fault 1.		
Dependency:	Refer to: F07860		
Note:	An external fault is triggered with a 1/0 signal.		

r2109[0...63]	Fault time removed in milliseconds / t_flt resolved ms		
	Access level: 4	Calculated: -	Data type: Unsigned32
	Can be changed: -	Scaling: -	Data set: -
	Units group: -	Unit selection: -	
	Min	Max	Factory setting
	- [ms]	- [ms]	- [ms]
Description:	Displays the system runtime in milliseconds when the fault was removed.		
Dependency:	Refer to: r0945, r0947, r0948, r0949, r2130, r2133, r2136		
Notice:	The time comprises r2136 (days) and r2109 (milliseconds).		
Note:	The buffer parameters are cyclically updated in the background (refer to status signal in r2139). The structure of the fault buffer and the assignment of the indices is shown in r0945.		

r2110[0...63]	Alarm number / Alarm number		
	Access level: 2	Calculated: -	Data type: Unsigned16
	Can be changed: -	Scaling: -	Data set: -
	Units group: -	Unit selection: -	
	Min	Max	Factory setting
	-	-	-
Description:	This parameter is identical to r2122.		

p2111	Alarm counter / Alarm counter		
	Access level: 3	Calculated: -	Data type: Unsigned16
	Can be changed: U, T	Scaling: -	Data set: -
	Units group: -	Unit selection: -	
	Min 0	Max 65535	Factory setting 0
Description:	Number of alarms that have occurred after the last reset.		
Dependency:	When p2111 is set to 0, the following is initiated: - all of the alarms of the alarm buffer that have gone [0...7] are transferred into the alarm history [8...63]. - the alarm buffer [0...7] is deleted.		
Note:	Refer to: r2110, r2122, r2123, r2124, r2125 The parameter is reset to 0 at POWER ON.		
p2112[0...n]	BI: External alarm 1 / External alarm 1		
	Access level: 3	Calculated: -	Data type: U32 / Binary
	Can be changed: U, T	Scaling: -	Data set: CDS, p0170
	Units group: -	Unit selection: -	
	Min -	Max -	Factory setting 1
Description:	Sets the signal source for external alarm 1.		
Dependency:	Refer to: A07850		
Note:	An external alarm is triggered with a 1/0 signal.		
r2120	CO: Sum of fault and alarm buffer changes / Sum buffer changed		
	Access level: 4	Calculated: -	Data type: Unsigned16
	Can be changed: -	Scaling: -	Data set: -
	Units group: -	Unit selection: -	
	Min -	Max -	Factory setting -
Description:	Displays the sum of all of the fault and alarm buffer changes in the drive unit.		
Dependency:	Refer to: r0944		
r2122[0...63]	Alarm code / Alarm code		
	Access level: 2	Calculated: -	Data type: Unsigned16
	Can be changed: -	Scaling: -	Data set: -
	Units group: -	Unit selection: -	
	Min -	Max -	Factory setting -
Description:	Displays the number of alarms that have occurred.		
Dependency:	Refer to: r2110, r2123, r2124, r2125, r2134		
Note:	The buffer parameters are cyclically updated in the background (refer to status signal in r2139). Alarm buffer structure (general principle): r2122[0], r2124[0], r2123[0], r2125[0] --> alarm 1 (the oldest) ... r2122[7], r2124[7], r2123[7], r2125[7] --> Alarm 8 (the latest) When the alarm buffer is full, the alarms that have gone are entered into the alarm history: r2122[8], r2124[8], r2123[8], r2125[8] --> Alarm 1 (the latest) ... r2122[63], r2124[63], r2123[63], r2125[63] --> alarm 56 (the oldest)		

r2123[0...63]	Alarm time received in milliseconds / t_alarm rcv ms		
	Access level: 3	Calculated: -	Data type: Unsigned32
	Can be changed: -	Scaling: -	Data set: -
	Units group: -	Unit selection: -	
	Min - [ms]	Max - [ms]	Factory setting - [ms]
Description:	Displays the system runtime in milliseconds when the alarm occurred.		
Dependency:	Refer to: r2110, r2122, r2124, r2125, r2134		
Note:	The buffer parameters are cyclically updated in the background (refer to status signal in r2139). The structure of the alarm buffer and the assignment of the indices is shown in r2122.		

r2124[0...63]	Alarm value / Alarm value		
	Access level: 3	Calculated: -	Data type: Integer32
	Can be changed: -	Scaling: -	Data set: -
	Units group: -	Unit selection: -	
	Min -	Max -	Factory setting -
Description:	Displays additional information about the active alarm (as integer number).		
Dependency:	Refer to: r2110, r2122, r2123, r2125, r2134		
Note:	The buffer parameters are cyclically updated in the background (refer to status signal in r2139). The structure of the alarm buffer and the assignment of the indices is shown in r2122.		

r2125[0...63]	Alarm time removed in milliseconds / t_alarm res ms		
	Access level: 3	Calculated: -	Data type: Unsigned32
	Can be changed: -	Scaling: -	Data set: -
	Units group: -	Unit selection: -	
	Min - [ms]	Max - [ms]	Factory setting - [ms]
Description:	Displays the system runtime in milliseconds when the alarm was cleared.		
Dependency:	Refer to: r2110, r2122, r2123, r2124, r2134		
Note:	The buffer parameters are cyclically updated in the background (refer to status signal in r2139). The structure of the alarm buffer and the assignment of the indices is shown in r2122.		

p2126[0...19]	Setting fault number for acknowledge mode / Fault_no ackn_mode		
	Access level: 3	Calculated: -	Data type: Unsigned16
	Can be changed: U, T	Scaling: -	Data set: -
	Units group: -	Unit selection: -	
	Min 0	Max 65535	Factory setting 0
Description:	Selects the faults for which the acknowledge mode is to be changed		
Dependency:	Selects the faults and sets the required acknowledge mode realized under the same index Refer to: p2127		
Notice:	It is not possible to re-parameterize the acknowledge mode of a fault in the following cases: - if there is no existing fault number. - the message type is not "fault" (F). - when a fault is present.		

p2127[0...19] Sets acknowledgement mode / Acknowledge mode

Access level: 3	Calculated: -	Data type: Integer16
Can be changed: U, T	Scaling: -	Data set: -
Units group: -	Unit selection: -	
Min	Max	Factory setting
1	2	1

Description: Sets the acknowledge mode for selected fault.

Value: 1: Acknowledgment only using POWER ON
2: Ack IMMEDIATELY after the fault cause has been removed

Dependency: Selects the faults and sets the required acknowledge mode realized under the same index
Refer to: p2126

Notice: It is not possible to re-parameterize the acknowledge mode of a fault in the following cases:
- if there is no existing fault number.
- the message type is not "fault" (F).
- when a fault is present.

Note: The acknowledge mode can only be changed for faults with the appropriate identification.
Example:
F12345 and acknowledge mode = IMMEDIATE (POWER ON)
--> The acknowledge mode can be changed from IMMEDIATELY to POWER ON.

p2128[0...15] Selecting fault/alarm code for trigger / Message trigger

Access level: 3	Calculated: -	Data type: Unsigned16
Can be changed: U, T	Scaling: -	Data set: -
Units group: -	Unit selection: -	
Min	Max	Factory setting
0	65535	0

Description: Selects faults or alarms which can be used as trigger.

Dependency: Refer to: r2129

r2129.0...15 CO/BO: Trigger word for faults and alarms / Trigger word

Access level: 3	Calculated: -	Data type: Unsigned16
Can be changed: -	Scaling: -	Data set: -
Units group: -	Unit selection: -	
Min	Max	Factory setting
-	-	-

Description: Trigger signal for the selected faults and alarms

Bit field:	Bit	Signal name	1 signal	0 signal	FP
	00	Trigger signal p2128[0]	ON	OFF	-
	01	Trigger signal p2128[1]	ON	OFF	-
	02	Trigger signal p2128[2]	ON	OFF	-
	03	Trigger signal p2128[3]	ON	OFF	-
	04	Trigger signal p2128[4]	ON	OFF	-
	05	Trigger signal p2128[5]	ON	OFF	-
	06	Trigger signal p2128[6]	ON	OFF	-
	07	Trigger signal p2128[7]	ON	OFF	-
	08	Trigger signal p2128[8]	ON	OFF	-
	09	Trigger signal p2128[9]	ON	OFF	-
	10	Trigger signal p2128[10]	ON	OFF	-
	11	Trigger signal p2128[11]	ON	OFF	-
	12	Trigger signal p2128[12]	ON	OFF	-
	13	Trigger signal p2128[13]	ON	OFF	-
	14	Trigger signal p2128[14]	ON	OFF	-
	15	Trigger signal p2128[15]	ON	OFF	-

Dependency: If one of the faults or alarms selected in p2128[n] occurs, then the particular bit of this binector output is set.
Refer to: p2128

Note: CO: r2129 = 0 --> None of the selected messages has occurred.
CO: r2129 > 0 --> At least one of the selected messages has occurred.

r2130[0...63]	Fault time received in days / t_fault recv days				
	Access level: 3	Calculated: -	Data type: Unsigned16		
	Can be changed: -	Scaling: -	Data set: -		
	Units group: -	Unit selection: -			
	Min	Max	Factory setting		
	-	-	-		
Description:	Displays the system runtime in days when the fault occurred.				
Dependency:	Refer to: r0945, r0947, r0948, r0949, r2109, r2133, r2136				
Notice:	The time comprises r2130 (days) and r0948 (milliseconds). The value displayed in p2130 refers to 01.01.1970.				
Note:	The buffer parameters are cyclically updated in the background (refer to status signal in r2139).				
r2133[0...63]	Fault value for float values / Fault val float				
	Access level: 3	Calculated: -	Data type: FloatingPoint32		
	Can be changed: -	Scaling: -	Data set: -		
	Units group: -	Unit selection: -			
	Min	Max	Factory setting		
	-	-	-		
Description:	Displays additional information about the fault that occurred for float values.				
Dependency:	Refer to: r0945, r0947, r0948, r0949, r2109, r2130, r2136				
Note:	The buffer parameters are cyclically updated in the background (refer to status signal in r2139).				
r2134[0...63]	Alarm value for float values / Alarm value float				
	Access level: 3	Calculated: -	Data type: FloatingPoint32		
	Can be changed: -	Scaling: -	Data set: -		
	Units group: -	Unit selection: -			
	Min	Max	Factory setting		
	-	-	-		
Description:	Displays additional information about the active alarm for float values.				
Dependency:	Refer to: r2110, r2122, r2123, r2124, r2125				
Note:	The buffer parameters are cyclically updated in the background (refer to status signal in r2139).				
r2135.12...15	CO/BO: Status word faults/alarms 2 / ZSW fault/alarm 2				
	Access level: 2	Calculated: -	Data type: Unsigned16		
	Can be changed: -	Scaling: -	Data set: -		
	Units group: -	Unit selection: -			
	Min	Max	Factory setting		
	-	-	-		
Description:	Displays the second status word of faults and alarms.				
Bit field:	Bit	Signal name	1 signal	0 signal	FP
	12	Fault motor overtemperature	Yes	No	-
	13	Fault power unit thermal overload	Yes	No	-
	14	Alarm motor overtemperature	Yes	No	-
	15	Alarm power unit thermal overload	Yes	No	-

r2136[0...63]	Fault time removed in days / t_flt resolv. days				
	Access level: 3	Calculated: -	Data type: Unsigned16		
	Can be changed: -	Scaling: -	Data set: -		
	Units group: -	Unit selection: -			
	Min	Max	Factory setting		
	-	-	-		
Description:	Displays the system runtime in days when the fault was removed.				
Dependency:	Refer to: r0945, r0947, r0948, r0949, r2109, r2130, r2133				
Notice:	The time comprises r2136 (days) and r2109 (milliseconds).				
Note:	The buffer parameters are cyclically updated in the background (refer to status signal in r2139).				
r2138.7...13	CO/BO: Control word faults/alarms / STW fault/alarm				
	Access level: 2	Calculated: -	Data type: Unsigned16		
	Can be changed: -	Scaling: -	Data set: -		
	Units group: -	Unit selection: -			
	Min	Max	Factory setting		
	-	-	-		
Description:	Displays the control word of the faults and alarms.				
Bit field:	Bit	Signal name	1 signal	0 signal	FP
	07	Acknowledge fault	Yes	No	-
	10	External alarm 1 (A07850) effective	Yes	No	-
	13	External fault 1 (F07860) effective	Yes	No	-
Dependency:	Refer to: p2103, p2104, p2106, p2112				
r2139.0...12	CO/BO: Status word faults/alarms 1 / ZSW fault/alarm 1				
	Access level: 2	Calculated: -	Data type: Unsigned16		
	Can be changed: -	Scaling: -	Data set: -		
	Units group: -	Unit selection: -			
	Min	Max	Factory setting		
	-	-	-		
Description:	Displays the first status word of faults and alarms.				
Bit field:	Bit	Signal name	1 signal	0 signal	FP
	00	Being acknowledged	Yes	No	-
	01	Acknowledgment required	Yes	No	-
	03	Fault present	Yes	No	-
	06	Internal message 1 present	Yes	No	-
	07	Alarm present	Yes	No	-
	08	Internal message 2 present	Yes	No	-
	11	Alarm class bit 0	High	Low	-
	12	Alarm class bit 1	High	Low	-
Note:	Re bit 03, 07: These bits are set if at least one fault/alarm occurs. Data is entered into the fault/alarm buffer with delay. This is the reason that the fault/alarm buffer should only be read if, after "fault present"/"alarm present" has occurred, a change in the buffer was also detected (r0944, r9744).				
	Re bit 06, 08: These status bits are used for internal diagnostic purposes only.				
	Re bit 11, 12: These status bits are used for the classification of internal alarm classes and are intended for diagnostic purposes only on certain automation systems with integrated SINAMICS functionality.				

r2169	CO: Actual speed smoothed signals / n_act smth message				
	Access level: 2	Calculated: -	Data type: FloatingPoint32		
	Can be changed: -	Scaling: p2000	Data set: -		
	Units group: 3_1	Unit selection: p0505			
	Min - [rpm]	Max - [rpm]	Factory setting - [rpm]		
Description:	Displays the smoothed actual speed for messages/signals.				
r2197.0...13	CO/BO: Status word monitoring 1 / ZSW monitor 1				
	Access level: 3	Calculated: -	Data type: Unsigned16		
	Can be changed: -	Scaling: -	Data set: -		
	Units group: -	Unit selection: -			
	Min -	Max -	Factory setting -		
Description:	Displays the first status word for monitoring functions.				
Bit field:	Bit	Signal name	1 signal	0 signal	FP
	00	n_act <= n_min p1080	Yes	No	8020
	01	Reserved			-
	02	Reserved			-
	03	n_act >= 0	Yes	No	8011
	04	n_act >= n_set	Yes	No	8020
	05	Reserved	Yes	No	-
	06	n_act > n_max	Yes	No	8010
	07	Speed setp - act val deviation in tolerance t_off	Yes	No	8011
	08	Reserved	Yes	No	-
	09	Reserved	Yes	No	-
	10	Reserved	Yes	No	-
	11	Output load is not present	Yes	No	8020
	12	n_act > n_max (delayed)	Yes	No	8021
	13	n_act > n_max error	Yes	No	-
Notice:	Re bit 06: When the overspeed is reached, this bit is set and F07901 output immediately following this. The bit is canceled again as soon as the next pulse inhibit is present.				
Note:	Re bit 00: The threshold value is set in p1080. Re bit 03: 1 signal direction of rotation positive. 0 signal: direction of rotation negative. Re bit 04: The threshold value is set in r1119.				

r2198.0...13	CO/BO: Status word monitoring 2 / ZSW monitor 2		
	Access level: 3	Calculated: -	Data type: Unsigned16
	Can be changed: -	Scaling: -	Data set: -
	Units group: -	Unit selection: -	
	Min	Max	Factory setting
	-	-	-

Description: Displays the second status word for monitoring functions.

Bit field:	Bit	Signal name	1 signal	0 signal	FP
	00	Reserved	Yes	No	-
	01	Reserved	Yes	No	-
	02	Reserved	Yes	No	-
	03	Reserved	Yes	No	-
	04	Reserved	Yes	No	-
	05	n_set > 0	Yes	No	8011
	06	Motor blocked	Yes	No	8012
	07	Motor stalled	Yes	No	8012
	08	Reserved	Yes	No	-
	09	Reserved	Yes	No	-
	10	Reserved	Yes	No	-
	11	Reserved	Yes	No	-
	12	Reserved	Yes	No	-
	13	Reserved	Yes	No	-

r2199.0...11	CO/BO: Status word monitoring 3 / ZSW monitor 3		
	Access level: 3	Calculated: -	Data type: Unsigned16
	Can be changed: -	Scaling: -	Data set: -
	Units group: -	Unit selection: -	
	Min	Max	Factory setting
	-	-	-

Description: Displays the third status word for monitoring functions.

Bit field:	Bit	Signal name	1 signal	0 signal	FP
	00	Reserved	Yes	No	-
	01	f or n comparison value reached or exceeded	Yes	No	8010
	04	Speed setp - act val deviation in tolerance t_on	Yes	No	8011
	05	Ramp-up/ramp-down completed	Yes	No	8011
	11	Reserved	Yes	No	-

p2200[0...n]	BI: Technology controller enable / Tec_ctrl enable		
	Access level: 2	Calculated: -	Data type: U32 / Binary
	Can be changed: T	Scaling: -	Data set: CDS, p0170
	Units group: -	Unit selection: -	
	Min	Max	Factory setting
	-	-	0

Description: Sets the signal source to switch in/switch out the technology controller. The technology controller is switched in with a 1 signal.

p2201[0...n]	CO: Technology controller, fixed value 1 / Tec_ctr fix val 1		
	Access level: 2	Calculated: -	Data type: FloatingPoint32
	Can be changed: U, T	Scaling: PERCENT	Data set: DDS, p0180
	Units group: 9_1	Unit selection: p0595	
	Min -200.00 [%]	Max 200.00 [%]	Factory setting 10.00 [%]
Description:	Sets the value for fixed value 1 of the technology controller.		
Dependency:	Refer to: p2220, p2221, p2222, p2223, r2224, r2229		
Notice:	A BICO interconnection to a parameter that belongs to a drive data set always acts on the effective data set.		
p2202[0...n]	CO: Technology controller, fixed value 2 / Tec_ctr fix val 2		
	Access level: 2	Calculated: -	Data type: FloatingPoint32
	Can be changed: U, T	Scaling: PERCENT	Data set: DDS, p0180
	Units group: 9_1	Unit selection: p0595	
	Min -200.00 [%]	Max 200.00 [%]	Factory setting 20.00 [%]
Description:	Sets the value for fixed value 2 of the technology controller.		
Dependency:	Refer to: p2220, p2221, p2222, p2223, r2224, r2229		
Notice:	A BICO interconnection to a parameter that belongs to a drive data set always acts on the effective data set.		
p2203[0...n]	CO: Technology controller, fixed value 3 / Tec_ctr fix val 3		
	Access level: 2	Calculated: -	Data type: FloatingPoint32
	Can be changed: U, T	Scaling: PERCENT	Data set: DDS, p0180
	Units group: 9_1	Unit selection: p0595	
	Min -200.00 [%]	Max 200.00 [%]	Factory setting 30.00 [%]
Description:	Sets the value for fixed value 3 of the technology controller.		
Dependency:	Refer to: p2220, p2221, p2222, p2223, r2224, r2229		
Notice:	A BICO interconnection to a parameter that belongs to a drive data set always acts on the effective data set.		
p2204[0...n]	CO: Technology controller, fixed value 4 / Tec_ctr fix val 4		
	Access level: 2	Calculated: -	Data type: FloatingPoint32
	Can be changed: U, T	Scaling: PERCENT	Data set: DDS, p0180
	Units group: 9_1	Unit selection: p0595	
	Min -200.00 [%]	Max 200.00 [%]	Factory setting 40.00 [%]
Description:	Sets the value for fixed value 4 of the technology controller.		
Dependency:	Refer to: p2220, p2221, p2222, p2223, r2224, r2229		
Notice:	A BICO interconnection to a parameter that belongs to a drive data set always acts on the effective data set.		

p2205[0...n]	CO: Technology controller, fixed value 5 / Tec_ctr fix val 5		
	Access level: 2	Calculated: -	Data type: FloatingPoint32
	Can be changed: U, T	Scaling: PERCENT	Data set: DDS, p0180
	Units group: 9_1	Unit selection: p0595	
	Min -200.00 [%]	Max 200.00 [%]	Factory setting 50.00 [%]
Description:	Sets the value for fixed value 5 of the technology controller.		
Dependency:	Refer to: p2220, p2221, p2222, p2223, r2224, r2229		
Notice:	A BICO interconnection to a parameter that belongs to a drive data set always acts on the effective data set.		

p2206[0...n]	CO: Technology controller, fixed value 6 / Tec_ctr fix val 6		
	Access level: 2	Calculated: -	Data type: FloatingPoint32
	Can be changed: U, T	Scaling: PERCENT	Data set: DDS, p0180
	Units group: 9_1	Unit selection: p0595	
	Min -200.00 [%]	Max 200.00 [%]	Factory setting 60.00 [%]
Description:	Sets the value for fixed value 6 of the technology controller.		
Dependency:	Refer to: p2220, p2221, p2222, p2223, r2224, r2229		
Notice:	A BICO interconnection to a parameter that belongs to a drive data set always acts on the effective data set.		

p2207[0...n]	CO: Technology controller, fixed value 7 / Tec_ctr fix val 7		
	Access level: 2	Calculated: -	Data type: FloatingPoint32
	Can be changed: U, T	Scaling: PERCENT	Data set: DDS, p0180
	Units group: 9_1	Unit selection: p0595	
	Min -200.00 [%]	Max 200.00 [%]	Factory setting 70.00 [%]
Description:	Sets the value for fixed value 7 of the technology controller.		
Dependency:	Refer to: p2220, p2221, p2222, p2223, r2224, r2229		
Notice:	A BICO interconnection to a parameter that belongs to a drive data set always acts on the effective data set.		

p2208[0...n]	CO: Technology controller, fixed value 8 / Tec_ctr fix val 8		
	Access level: 2	Calculated: -	Data type: FloatingPoint32
	Can be changed: U, T	Scaling: PERCENT	Data set: DDS, p0180
	Units group: 9_1	Unit selection: p0595	
	Min -200.00 [%]	Max 200.00 [%]	Factory setting 80.00 [%]
Description:	Sets the value for fixed value 8 of the technology controller.		
Dependency:	Refer to: p2220, p2221, p2222, p2223, r2224, r2229		
Notice:	A BICO interconnection to a parameter that belongs to a drive data set always acts on the effective data set.		

p2209[0...n]	CO: Technology controller, fixed value 9 / Tec_ctr fix val 9		
	Access level: 2	Calculated: -	Data type: FloatingPoint32
	Can be changed: U, T	Scaling: PERCENT	Data set: DDS, p0180
	Units group: 9_1	Unit selection: p0595	
	Min -200.00 [%]	Max 200.00 [%]	Factory setting 90.00 [%]
Description:	Sets the value for fixed value 9 of the technology controller.		
Dependency:	Refer to: p2220, p2221, p2222, p2223, r2224, r2229		
Notice:	A BICO interconnection to a parameter that belongs to a drive data set always acts on the effective data set.		
p2210[0...n]	CO: Technology controller, fixed value 10 / Tec_ctr fix val 10		
	Access level: 2	Calculated: -	Data type: FloatingPoint32
	Can be changed: U, T	Scaling: PERCENT	Data set: DDS, p0180
	Units group: 9_1	Unit selection: p0595	
	Min -200.00 [%]	Max 200.00 [%]	Factory setting 100.00 [%]
Description:	Sets the value for fixed value 10 of the technology controller.		
Dependency:	Refer to: p2220, p2221, p2222, p2223, r2224, r2229		
Notice:	A BICO interconnection to a parameter that belongs to a drive data set always acts on the effective data set.		
p2211[0...n]	CO: Technology controller, fixed value 11 / Tec_ctr fix val 11		
	Access level: 2	Calculated: -	Data type: FloatingPoint32
	Can be changed: U, T	Scaling: PERCENT	Data set: DDS, p0180
	Units group: 9_1	Unit selection: p0595	
	Min -200.00 [%]	Max 200.00 [%]	Factory setting 110.00 [%]
Description:	Sets the value for fixed value 11 of the technology controller.		
Dependency:	Refer to: p2220, p2221, p2222, p2223, r2224, r2229		
Notice:	A BICO interconnection to a parameter that belongs to a drive data set always acts on the effective data set.		
p2212[0...n]	CO: Technology controller, fixed value 12 / Tec_ctr fix val 12		
	Access level: 2	Calculated: -	Data type: FloatingPoint32
	Can be changed: U, T	Scaling: PERCENT	Data set: DDS, p0180
	Units group: 9_1	Unit selection: p0595	
	Min -200.00 [%]	Max 200.00 [%]	Factory setting 120.00 [%]
Description:	Sets the value for fixed value 12 of the technology controller.		
Dependency:	Refer to: p2220, p2221, p2222, p2223, r2224, r2229		
Notice:	A BICO interconnection to a parameter that belongs to a drive data set always acts on the effective data set.		

p2213[0...n]	CO: Technology controller, fixed value 13 / Tec_ctr fix val 13		
	Access level: 2	Calculated: -	Data type: FloatingPoint32
	Can be changed: U, T	Scaling: PERCENT	Data set: DDS, p0180
	Units group: 9_1	Unit selection: p0595	
	Min -200.00 [%]	Max 200.00 [%]	Factory setting 130.00 [%]
Description:	Sets the value for fixed value 13 of the technology controller.		
Dependency:	Refer to: p2220, p2221, p2222, p2223, r2224, r2229		
Notice:	A BICO interconnection to a parameter that belongs to a drive data set always acts on the effective data set.		

p2214[0...n]	CO: Technology controller, fixed value 14 / Tec_ctr fix val 14		
	Access level: 2	Calculated: -	Data type: FloatingPoint32
	Can be changed: U, T	Scaling: PERCENT	Data set: DDS, p0180
	Units group: 9_1	Unit selection: p0595	
	Min -200.00 [%]	Max 200.00 [%]	Factory setting 140.00 [%]
Description:	Sets the value for fixed value 14 of the technology controller.		
Dependency:	Refer to: p2220, p2221, p2222, p2223, r2224, r2229		
Notice:	A BICO interconnection to a parameter that belongs to a drive data set always acts on the effective data set.		

p2215[0...n]	CO: Technology controller, fixed value 15 / Tec_ctr fix val 15		
	Access level: 2	Calculated: -	Data type: FloatingPoint32
	Can be changed: U, T	Scaling: PERCENT	Data set: DDS, p0180
	Units group: 9_1	Unit selection: p0595	
	Min -200.00 [%]	Max 200.00 [%]	Factory setting 150.00 [%]
Description:	Sets the value for fixed value 15 of the technology controller.		
Dependency:	Refer to: p2220, p2221, p2222, p2223, r2224, r2229		
Notice:	A BICO interconnection to a parameter that belongs to a drive data set always acts on the effective data set.		

p2216[0...n]	Technology controller fixed value selection method / Tec_ctr FixVal sel		
	Access level: 2	Calculated: -	Data type: Integer16
	Can be changed: T	Scaling: -	Data set: DDS, p0180
	Units group: -	Unit selection: -	
	Min 1	Max 2	Factory setting 1
Description:	Selects the method that can be used to select the fixed setpoints.		
Value:	1: Fixed value selection direct 2: Fixed value selection binary		

p2220[0...n]	BI: Technology controller fixed value selection bit 0 / Tec_ctrl sel bit 0		
	Access level: 3	Calculated: -	Data type: U32 / Binary
	Can be changed: T	Scaling: -	Data set: CDS, p0170
	Units group: -	Unit selection: -	
	Min -	Max -	Factory setting 0
Description:	Sets the signal source to select the fixed value of the technology controller.		
Dependency:	Refer to: p2221, p2222, p2223		

p2221[0...n]	BI: Technology controller fixed value selection bit 1 / Tec_ctrl sel bit 1			
	Access level: 3	Calculated: -	Data type: U32 / Binary	
	Can be changed: T	Scaling: -	Data set: CDS, p0170	
	Units group: -	Unit selection: -		
	Min	Max	Factory setting	
	-	-	0	
Description:	Sets the signal source to select the fixed value of the technology controller.			
Dependency:	Refer to: p2220, p2222, p2223			
p2222[0...n]	BI: Technology controller fixed value selection bit 2 / Tec_ctrl sel bit 2			
	Access level: 3	Calculated: -	Data type: U32 / Binary	
	Can be changed: T	Scaling: -	Data set: CDS, p0170	
	Units group: -	Unit selection: -		
	Min	Max	Factory setting	
	-	-	0	
Description:	Sets the signal source to select the fixed value of the technology controller.			
Dependency:	Refer to: p2220, p2221, p2223			
p2223[0...n]	BI: Technology controller fixed value selection bit 3 / Tec_ctrl sel bit 3			
	Access level: 3	Calculated: -	Data type: U32 / Binary	
	Can be changed: T	Scaling: -	Data set: CDS, p0170	
	Units group: -	Unit selection: -		
	Min	Max	Factory setting	
	-	-	0	
Description:	Sets the signal source to select the fixed value of the technology controller.			
Dependency:	Refer to: p2220, p2221, p2222			
r2224	CO: Technology controller, fixed value effective / Tec_ctr FixVal eff			
	Access level: 3	Calculated: -	Data type: FloatingPoint32	
	Can be changed: -	Scaling: PERCENT	Data set: -	
	Units group: 9_1	Unit selection: p0595		
	Min	Max	Factory setting	
	- [%]	- [%]	- [%]	
Description:	Displays the selected and effective fixed value of the technology controller.			
Dependency:	Refer to: r2229			
r2225.0	CO/BO: Technology controller fixed value selection status word / Tec_ctr FixVal ZSW			
	Access level: 3	Calculated: -	Data type: Unsigned16	
	Can be changed: -	Scaling: -	Data set: -	
	Units group: -	Unit selection: -		
	Min	Max	Factory setting	
	-	-	-	
Description:	Displays the status word for the fixed value selection of the technology controller.			
Bit field:	Bit	Signal name	1 signal	0 signal
	00	Technology controller fixed value selected	Yes	No
				FP
				7950, 7951

r2229	Technology controller number actual / Tec_ctrl No. act			
	Access level: 3	Calculated: -	Data type: Unsigned32	
	Can be changed: -	Scaling: -	Data set: -	
	Units group: -	Unit selection: -		
	Min	Max	Factory setting	
	-	-	-	
Description:	Displays the number of the selected fixed setpoint of the technology controller.			
Dependency:	Refer to: r2224			
p2230[0...n]	Technology controller motorized potentiometer configuration / Tec_ctr mop config			
	Access level: 3	Calculated: -	Data type: Unsigned32	
	Can be changed: U, T	Scaling: -	Data set: DDS, p0180	
	Units group: -	Unit selection: -		
	Min	Max	Factory setting	
	-	-	0000 0100 bin	
Description:	Sets the configuration for the motorized potentiometer of the technology controller.			
Bit field:	Bit	Signal name	1 signal	0 signal FP
	00	Data save active	Yes	No -
	02	Initial rounding-off active	Yes	No -
	03	Non-volatile data save active for p2230.0 = 1	Yes	No -
	04	Ramp-function generator always active	Yes	No -
Dependency:	Refer to: r2231, p2240			
Notice:	For p0014 = 1, the following applies: After the value has been modified, no further parameter modifications can be made and the status is shown in r3996. Modifications can be made again when r3996 = 0.			
Note:	Re bit 00: 0: The setpoint for the motorized potentiometer is not saved and after ON is entered using p2240. 1: The setpoint for the motorized potentiometer is saved and after ON is entered using r2231. In order to save in a non-volatile fashion, bit 03 should be set to 1.			
	Re bit 02: 0: Without initial rounding-off 1: With initial rounding-off. The selected ramp-up/down time is correspondingly exceeded. The initial rounding-off is a sensitive way of specifying small changes (progressive reaction when keys are pressed). The jerk for initial rounding is independent of the ramp-up time and only depends on the selected maximum value (p2237). It is calculated as follows: $r = 0.0001 \times \max(p2237, p2238) [\%] / 0.13^2 [s^2]$ The jerk is effective until the maximum acceleration is reached ($a_{max} = p2237 [\%] / p2247 [s]$ or $a_{max} = p2238 [\%] / p2248 [s]$), after which the drive continues to run linearly with constant acceleration. The higher the maximum acceleration (the lower that p2247 is), the longer the ramp-up time increases with respect to the set ramp-up time.			
	Re bit 03: 0: Non-volatile data save de-activated. 1: The setpoint for the motorized potentiometer is saved in a non-volatile fashion (for p2230.0 = 1).			
	Re bit 04: When the bit is set, the ramp-function generator is computed independent of the pulse enable. The actual output value of the motorized potentiometer is always in r2250.			
r2231	Technology controller motorized potentiometer setpoint memory / Tec_ctrl mop mem			
	Access level: 3	Calculated: -	Data type: FloatingPoint32	
	Can be changed: -	Scaling: -	Data set: -	
	Units group: 9_1	Unit selection: p0595		
	Min	Max	Factory setting	
	- [%]	- [%]	- [%]	
Description:	Displays the setpoint memory for the motorized potentiometer of the technology controller. For p2230.0 = 1, the last setpoint that was saved is entered after ON.			
Dependency:	Refer to: p2230			

p2235[0...n]	BI: Technology controller motorized potentiometer raise setpoint / Tec_ctrl mop raise		
	Access level: 3	Calculated: -	Data type: U32 / Binary
	Can be changed: T	Scaling: -	Data set: CDS, p0170
	Units group: -	Unit selection: -	
	Min	Max	Factory setting
	-	-	0
Description:	Sets the signal source to continually increase the setpoint for the motorized potentiometer of the technology controller. The setpoint change (CO: r2250) depends on the set ramp-up time (p2247) and the duration of the signal that is present (BI: p2235).		
Dependency:	Refer to: p2236		
p2236[0...n]	BI: Technology controller motorized potentiometer lower setpoint / Tec_ctrl mop lower		
	Access level: 3	Calculated: -	Data type: U32 / Binary
	Can be changed: T	Scaling: -	Data set: CDS, p0170
	Units group: -	Unit selection: -	
	Min	Max	Factory setting
	-	-	0
Description:	Sets the signal source to continually reduce the setpoint for the motorized potentiometer of the technology controller. The setpoint change (CO: r2250) depends on the set ramp-down time (p2248) and the duration of the signal that is present (BI: p2236).		
Dependency:	Refer to: p2235		
p2237[0...n]	Technology controller motorized potentiometer maximum value / Tec_ctrl mop max		
	Access level: 3	Calculated: -	Data type: FloatingPoint32
	Can be changed: U, T	Scaling: -	Data set: DDS, p0180
	Units group: 9_1	Unit selection: p0595	
	Min	Max	Factory setting
	-200.00 [%]	200.00 [%]	100.00 [%]
Description:	Sets the maximum value for the motorized potentiometer of the technology controller.		
Dependency:	Refer to: p2238		
p2238[0...n]	Technology controller motorized potentiometer minimum value / Tec_ctrl mop min		
	Access level: 2	Calculated: -	Data type: FloatingPoint32
	Can be changed: U, T	Scaling: -	Data set: DDS, p0180
	Units group: 9_1	Unit selection: p0595	
	Min	Max	Factory setting
	-200.00 [%]	200.00 [%]	-100.00 [%]
Description:	Sets the minimum value for the motorized potentiometer of the technology controller.		
Dependency:	Refer to: p2237		
p2240[0...n]	Technology controller motorized potentiometer starting value / Tec_ctrl mop start		
	Access level: 2	Calculated: -	Data type: FloatingPoint32
	Can be changed: U, T	Scaling: -	Data set: DDS, p0180
	Units group: 9_1	Unit selection: p0595	
	Min	Max	Factory setting
	-200.00 [%]	200.00 [%]	0.00 [%]
Description:	Sets the starting value for the motorized potentiometer of the technology controller. For p2230.0 = 0, this setpoint is entered after ON.		
Dependency:	Refer to: p2230		

r2245	CO: Technology controller mot. potentiometer setpoint before RFG / Tec_ctr mop befRFG		
	Access level: 2	Calculated: -	Data type: FloatingPoint32
	Can be changed: -	Scaling: PERCENT	Data set: -
	Units group: 9_1	Unit selection: p0595	
	Min - [%]	Max - [%]	Factory setting - [%]
Description:	Sets the effective setpoint in front of the internal motorized potentiometer ramp-function generator of the technology controller.		
Dependency:	Refer to: r2250		
p2247[0...n]	Technology controller motorized potentiometer ramp-up time / Tec_ctr mop t_r-up		
	Access level: 2	Calculated: -	Data type: FloatingPoint32
	Can be changed: U, T	Scaling: -	Data set: DDS, p0180
	Units group: -	Unit selection: -	
	Min 0.0 [s]	Max 1000.0 [s]	Factory setting 10.0 [s]
Description:	Sets the ramp-up time for the internal ramp-function generator for the motorized potentiometer of the technology controller.		
Dependency:	Refer to: p2248		
Note:	The time is referred to 100 %. When the initial rounding-off is activated (p2230.2 = 1) the ramp-up is correspondingly extended.		
p2248[0...n]	Technology controller motorized potentiometer ramp-down time / Tec_ctrMop t_rdown		
	Access level: 2	Calculated: -	Data type: FloatingPoint32
	Can be changed: U, T	Scaling: -	Data set: DDS, p0180
	Units group: -	Unit selection: -	
	Min 0.0 [s]	Max 1000.0 [s]	Factory setting 10.0 [s]
Description:	Sets the ramp-down time for the internal ramp-function generator for the motorized potentiometer of the technology controller.		
Dependency:	Refer to: p2247		
Note:	The time is referred to 100 %. When the initial rounding-off is activated (p2230.2 = 1) the ramp-down is correspondingly extended.		
r2250	CO: Technology controller motorized potentiometer setpoint after RFG / Tec_ctr mop aftRFG		
	Access level: 2	Calculated: -	Data type: FloatingPoint32
	Can be changed: -	Scaling: PERCENT	Data set: -
	Units group: 9_1	Unit selection: p0595	
	Min - [%]	Max - [%]	Factory setting - [%]
Description:	Displays the effective setpoint after the internal ramp-function generator for the motorized potentiometer of the technology controller.		
Dependency:	Refer to: r2245		

p2251	Technology controller mode / Tec_ctrl mode		
	Access level: 3	Calculated: -	Data type: Integer16
	Can be changed: T	Scaling: -	Data set: -
	Units group: -	Unit selection: -	
	Min 0	Max 1	Factory setting 0
Description:	Sets the mode for using the technology controller output.		
Value:	0: Technology controller as main speed setpoint 1: Technology controller as supplementary speed setpoint		
Dependency:	p2251 = 0, 1 is only effective if the enable signal of the technology controller is interconnected (p2200 > 0).		
p2253[0...n]	CI: Technology controller setpoint 1 / Tec_ctrl setp 1		
	Access level: 2	Calculated: -	Data type: U32 / FloatingPoint32
	Can be changed: U, T	Scaling: PERCENT	Data set: CDS, p0170
	Units group: -	Unit selection: -	
	Min -	Max -	Factory setting 0
Description:	Sets the signal source for the setpoint 1 of the technology controller.		
Dependency:	Refer to: p2254, p2255		
p2254[0...n]	CI: Technology controller setpoint 2 / Tec_ctrl setp 2		
	Access level: 3	Calculated: -	Data type: U32 / FloatingPoint32
	Can be changed: U, T	Scaling: PERCENT	Data set: CDS, p0170
	Units group: -	Unit selection: -	
	Min -	Max -	Factory setting 0
Description:	Sets the signal source for the setpoint 2 of the technology controller.		
Dependency:	Refer to: p2253, p2256		
p2255	Technology controller setpoint 1 scaling / Tec_ctrl set1 scal		
	Access level: 3	Calculated: -	Data type: FloatingPoint32
	Can be changed: U, T	Scaling: -	Data set: -
	Units group: -	Unit selection: -	
	Min 0.00 [%]	Max 100.00 [%]	Factory setting 100.00 [%]
Description:	Sets the scaling for the setpoint 1 of the technology controller.		
Dependency:	Refer to: p2253		
p2256	Technology controller setpoint 2 scaling / Tec_ctrl set2 scal		
	Access level: 3	Calculated: -	Data type: FloatingPoint32
	Can be changed: U, T	Scaling: -	Data set: -
	Units group: -	Unit selection: -	
	Min 0.00 [%]	Max 100.00 [%]	Factory setting 100.00 [%]
Description:	Sets the scaling for the setpoint 2 of the technology controller.		
Dependency:	Refer to: p2254		

p2257	Technology controller, ramp-up time / Tec_ctrl t_ramp-up		
	Access level: 2	Calculated: -	Data type: FloatingPoint32
	Can be changed: U, T	Scaling: -	Data set: -
	Units group: -	Unit selection: -	
	Min 0.00 [s]	Max 650.00 [s]	Factory setting 1.00 [s]
Description:	Sets the ramp-up time of the technology controller.		
Dependency:	Refer to: p2258		
Note:	The ramp-up time is referred to 100 %.		


p2258	Technology controller ramp-down time / Tec_ctrl t_ramp-dn		
	Access level: 2	Calculated: -	Data type: FloatingPoint32
	Can be changed: U, T	Scaling: -	Data set: -
	Units group: -	Unit selection: -	
	Min 0.00 [s]	Max 650.00 [s]	Factory setting 1.00 [s]
Description:	Sets the ramp-down time of the technology controller.		
Dependency:	Refer to: p2257		
Note:	The ramp-down time is referred to 100 %.		

r2260	CO: Technology controller setpoint after ramp-function generator / Tec_ctr set aftRFG		
	Access level: 2	Calculated: -	Data type: FloatingPoint32
	Can be changed: -	Scaling: PERCENT	Data set: -
	Units group: 9_1	Unit selection: p0595	
	Min - [%]	Max - [%]	Factory setting - [%]
Description:	Sets the setpoint after the ramp-function generator of the technology controller.		

p2261	Technology controller setpoint filter time constant / Tec_ctrl set T		
	Access level: 3	Calculated: -	Data type: FloatingPoint32
	Can be changed: U, T	Scaling: -	Data set: -
	Units group: -	Unit selection: -	
	Min 0.000 [s]	Max 60.000 [s]	Factory setting 0.000 [s]
Description:	Sets the time constant for the setpoint filter (PT1) of the technology controller.		

p2263	Technology controller type / Tec_ctrl type		
	Access level: 3	Calculated: -	Data type: Integer16
	Can be changed: T	Scaling: -	Data set: -
	Units group: -	Unit selection: -	
	Min 0	Max 1	Factory setting 0
Description:	Sets the technology controller type.		
Value:	0: D component in the actual value signal 1: D component in the fault signal		

p2264[0...n]	CI: Technology controller actual value / Tec_ctrl act val		
	Access level: 2	Calculated: -	Data type: U32 / FloatingPoint32
	Can be changed: U, T	Scaling: PERCENT	Data set: CDS, p0170
	Units group: -	Unit selection: -	
	Min -	Max -	Factory setting 0
Description:	Sets the signal source for the actual value of the technology controller.		
p2265	Technology controller actual value filter time constant / Tec_ctrl act T		
	Access level: 2	Calculated: -	Data type: FloatingPoint32
	Can be changed: U, T	Scaling: -	Data set: -
	Units group: -	Unit selection: -	
	Min 0.000 [s]	Max 60.000 [s]	Factory setting 0.000 [s]
Description:	Sets the time constant for the actual value filter (PT1) of the technology controller.		
r2266	CO: Technology controller actual value after filter / Tec_ctr act aftFlt		
	Access level: 3	Calculated: -	Data type: FloatingPoint32
	Can be changed: -	Scaling: PERCENT	Data set: -
	Units group: 9_1	Unit selection: p0595	
	Min - [%]	Max - [%]	Factory setting - [%]
Description:	Displays the smoothed actual value after the filter (PT1) of the technology controller		
p2267	Technology controller upper limit actual value / Tec_ctrl u_lim act		
	Access level: 3	Calculated: -	Data type: FloatingPoint32
	Can be changed: U, T	Scaling: PERCENT	Data set: -
	Units group: 9_1	Unit selection: p0595	
	Min -200.00 [%]	Max 200.00 [%]	Factory setting 100.00 [%]
Description:	Sets the upper limit for the actual value signal of the technology controller.		
Dependency:	Refer to: p2264, p2265, p2271 Refer to: F07426		
Notice:	If the actual value exceeds this upper limit, this results in fault F07426.		
p2268	Technology controller lower limit actual value / Tec_ctrl l_lim act		
	Access level: 3	Calculated: -	Data type: FloatingPoint32
	Can be changed: U, T	Scaling: PERCENT	Data set: -
	Units group: 9_1	Unit selection: p0595	
	Min -200.00 [%]	Max 200.00 [%]	Factory setting -100.00 [%]
Description:	Sets the lower limit for the actual value signal of the technology controller.		
Dependency:	Refer to: p2264, p2265, p2271 Refer to: F07426		
Notice:	If the actual value falls below this lower limit, this results in fault F07426.		

p2269	Technology controller gain actual value / Tech_ctrl gain act		
	Access level: 3	Calculated: -	Data type: FloatingPoint32
	Can be changed: U, T	Scaling: -	Data set: -
	Units group: -	Unit selection: -	
	Min 0.00 [%]	Max 500.00 [%]	Factory setting 100.00 [%]
Description:	Scaling factor for the actual value of the technology controller.		
Dependency:	Refer to: p2264, p2265, p2267, p2268, p2271		
Note:	For 100%, the actual value is not changed.		
p2270	Technology controller actual value function / Tec_ctr ActVal fct		
	Access level: 3	Calculated: -	Data type: Integer16
	Can be changed: U, T	Scaling: -	Data set: -
	Units group: -	Unit selection: -	
	Min 0	Max 3	Factory setting 0
Description:	Setting to use an arithmetic function for the actual value signal of the technology controller.		
Value:	0: No function 1: Root function (root from x) 2: Square function (x * x) 3: Cube function (x * x * x)		
Dependency:	Refer to: p2264, p2265, p2267, p2268, p2269, p2271		
p2271	Technology controller actual value inversion (sensor type) / Tech_ctrl act inv		
	Access level: 3	Calculated: -	Data type: Integer16
	Can be changed: T	Scaling: -	Data set: -
	Units group: -	Unit selection: -	
	Min 0	Max 1	Factory setting 0
Description:	Setting to invert the actual value signal of the technology controller. The inversion depends on the sensor type for the actual value signal.		
Value:	0: No inversion 1: Inversion actual value signal		
Caution:	If the actual value inversion is incorrectly selected, then the closed-loop control with the technology controller can become unstable and can oscillate!		
			
Note:	The correct setting can be determined as follows: - inhibit the technology controller (p2200 = 0). - increase the motor speed and in so doing, measure the actual value signal of the technology controller. --> If the actual value increases as the motor speed increases, then p2271 should be set to 0 (no inversion). --> If the actual value decreases as the motor speed increases, then p2271 should be set to 1 (the actual value signal is inverted).		
r2272	CO: Technology controller actual value scaled / Tech_ctrl act scal		
	Access level: 2	Calculated: -	Data type: FloatingPoint32
	Can be changed: -	Scaling: PERCENT	Data set: -
	Units group: 9_1	Unit selection: p0595	
	Min - [%]	Max - [%]	Factory setting - [%]
Description:	Displays the scaled actual value signal of the technology controller.		
Dependency:	Refer to: p2264, p2265, r2266, p2267, p2268, p2269, p2270, p2271		

r2273	CO: Technology controller error / Tec_ctrl error		
	Access level: 2	Calculated: -	Data type: FloatingPoint32
	Can be changed: -	Scaling: PERCENT	Data set: -
	Units group: 9_1	Unit selection: p0595	
	Min - [%]	Max - [%]	Factory setting - [%]
Description:	Displays the error (system deviation) between the setpoint and actual value of the technology controller.		
Dependency:	Refer to: p2263		
p2274	Technology controller differentiation, time constant / Tec_ctrl D comp T		
	Access level: 2	Calculated: -	Data type: FloatingPoint32
	Can be changed: U, T	Scaling: -	Data set: -
	Units group: -	Unit selection: -	
	Min 0.000 [s]	Max 60.000 [s]	Factory setting 0.000 [s]
Description:	Sets the time constant for the differentiation (D component) of the technology controller.		
Note:	p2274 = 0: Differentiation is disabled.		
p2280	Technology controller proportional gain / Tec_ctrl Kp		
	Access level: 2	Calculated: -	Data type: FloatingPoint32
	Can be changed: U, T	Scaling: -	Data set: -
	Units group: -	Unit selection: -	
	Min 0.000	Max 1000.000	Factory setting 1.000
Description:	Sets the proportional gain (P component) of the technology controller.		
Note:	p2280 = 0: The proportional gain is disabled.		
p2285	Technology controller integral time / Tec_ctrl Tn		
	Access level: 2	Calculated: -	Data type: FloatingPoint32
	Can be changed: U, T	Scaling: -	Data set: -
	Units group: -	Unit selection: -	
	Min 0.000 [s]	Max 10000.000 [s]	Factory setting 30.000 [s]
Description:	Sets the integral time (I component, integrating time constant) of the technology controller.		
Notice:	The following applies for p2251 = 0: If the output of the technology controller lies within the range of a suppression (skip) bandwidth (p1091 ... p1092, p1101) or below the minimum speed (p1080), the integral component of the controller is held so that the controller temporarily works as a P controller. This is necessary in order to prevent the controller from behaving in an unstable manner, as the ramp-function generator switches to the parameterized up and down ramps (p1120, p1121) at the same time in order to avoid setpoint steps. This state can be exited or avoided by changing the controller setpoint or by using the start speed (= minimum speed).		
Note:	When the controller output reaches the limit, the I component of the controller is held. p2285 = 0: The integral time is disabled and the I component of the controller is reset.		

p2286[0...n]	BI: Hold technology controller integrator / Tec_ctr integ stop		
	Access level: 3	Calculated: -	Data type: U32 / Binary
	Can be changed: T	Scaling: -	Data set: CDS, p0170
	Units group: -	Unit selection: -	
	Min -	Max -	Factory setting 56.13
Description:	Sets the signal source to hold the integrator for the technology controller.		

p2289[0...n]	CI: Technology controller pre-control signal / Tec_ctrl prectrl		
	Access level: 3	Calculated: -	Data type: U32 / FloatingPoint32
	Can be changed: U, T	Scaling: PERCENT	Data set: CDS, p0170
	Units group: -	Unit selection: -	
	Min -	Max -	Factory setting 0
Description:	Sets the signal source for the pre-control signal of the technology controller.		

p2291	CO: Technology controller maximum limiting / Tec_ctrl max_limit		
	Access level: 3	Calculated: -	Data type: FloatingPoint32
	Can be changed: U, T	Scaling: PERCENT	Data set: -
	Units group: -	Unit selection: -	
	Min -200.00 [%]	Max 200.00 [%]	Factory setting 100.00 [%]
Description:	Sets the maximum limit of the technology controller.		
Dependency:	Refer to: p2292		
Caution:	The maximum limit must always be greater than the minimum limit (p2291 > p2292).		




p2292	CO: Technology controller minimum limiting / Tec_ctrl min_lim		
	Access level: 3	Calculated: -	Data type: FloatingPoint32
	Can be changed: U, T	Scaling: PERCENT	Data set: -
	Units group: -	Unit selection: -	
	Min -200.00 [%]	Max 200.00 [%]	Factory setting 0.00 [%]
Description:	Sets the minimum limit of the technology controller.		
Dependency:	Refer to: p2291		
Caution:	The maximum limit must always be greater than the minimum limit (p2291 > p2292).		



p2293	Technology controller ramp-up/ramp-down time / Tec_ctr ramp up/dn		
	Access level: 3	Calculated: -	Data type: FloatingPoint32
	Can be changed: U, T	Scaling: -	Data set: -
	Units group: -	Unit selection: -	
	Min 0.00 [s]	Max 100.00 [s]	Factory setting 1.00 [s]
Description:	Sets the ramping time for the output signal of the technology controller.		
Dependency:	Refer to: p2291, p2292		
Note:	The time refers to the set maximum and minimum limits (p2291, p2292).		

r2294	CO: Technology controller output signal / Tec_ctrl outp_sig	Access level: 2	Calculated: -	Data type: FloatingPoint32
		Can be changed: -	Scaling: PERCENT	Data set: -
		Units group: -	Unit selection: -	
		Min - [%]	Max - [%]	Factory setting - [%]
Description:	Displays the output signal of the technology controller.			
Dependency:	Refer to: p2295			
p2295	CO: Technology controller output scaling / Tec_ctrl outp_scal	Access level: 3	Calculated: -	Data type: FloatingPoint32
		Can be changed: U, T	Scaling: PERCENT	Data set: -
		Units group: -	Unit selection: -	
		Min -100.00 [%]	Max 100.00 [%]	Factory setting 100.00 [%]
Description:	Sets the scaling for the output signal of the technology controller.			
p2296[0...n]	CI: Technology controller output scaling / Tec_ctrl outp_scal	Access level: 3	Calculated: -	Data type: U32 / FloatingPoint32
		Can be changed: U, T	Scaling: PERCENT	Data set: CDS, p0170
		Units group: -	Unit selection: -	
		Min -	Max -	Factory setting 2295[0]
Description:	Sets the signal source for the scaling value of the technology controller.			
Dependency:	Refer to: p2295			
p2297[0...n]	CI: Technology controller maximum limit signal source / Tec_ctrl m_lm_s_sc	Access level: 3	Calculated: -	Data type: U32 / FloatingPoint32
		Can be changed: U, T	Scaling: PERCENT	Data set: CDS, p0170
		Units group: -	Unit selection: -	
		Min -	Max -	Factory setting 1084[0]
Description:	Sets the signal source for the maximum limiting of the technology controller.			
Dependency:	Refer to: p2291			
Note:	In order that the output of the technology controller does not exceed the maximum speed limit, its upper limit p2297 should be connected to the actual maximum speed r1084. In mode p2251 = 1, p2299 must also be connected to the output of the ramp-function generator r1150.			
p2298[0...n]	CI: Technology controller minimum limit signal source / Tec_ctrl min_l_s_s	Access level: 3	Calculated: -	Data type: U32 / FloatingPoint32
		Can be changed: U, T	Scaling: PERCENT	Data set: CDS, p0170
		Units group: -	Unit selection: -	
		Min -	Max -	Factory setting 1087[0]
Description:	Sets the signal source for the minimum limiting of the technology controller.			
Dependency:	Refer to: p2292			
Note:	If the technology controller is rotated in a negative direction in mode p2251 = 0, its lower limit p2298 should be connected to the actual minimum speed r1087. In mode p2251 = 1, p2299 must also be connected to the output of the ramp-function generator r1150.			

p2299[0...n]	CI: Technology controller limit offset / Tech_ctrl lim offs		
	Access level: 3	Calculated: -	Data type: U32 / FloatingPoint32
	Can be changed: U, T	Scaling: PERCENT	Data set: CDS, p0170
	Units group: -	Unit selection: -	
	Min -	Max -	Factory setting 0
Description:	Sets the signal source for the offset of the output limiting of the technology controller.		
Note:	In mode p2251 = 1, p2299 must be connected to the output of ramp-function generator r1150 so that the technology controller stops when the speed limits are reached (see also p2297, p2298).		
p2302	Technology controller output signal starting value / Tec_ctr start val		
	Access level: 3	Calculated: -	Data type: FloatingPoint32
	Can be changed: U, T	Scaling: -	Data set: -
	Units group: -	Unit selection: -	
	Min 0.00 [%]	Max 200.00 [%]	Factory setting 0.00 [%]
Description:	Sets the start value for the output of the technology controller. When the technology controller is enabled (refer to p2200 and r0056.3) then its output signal (r2294) starts to run from this starting value.		
Dependency:	The starting value is only effective in the mode "technology controller as main speed setpoint" (p2251 = 0).		
Note:	If the technology controller operates on the speed/setpoint channel (p2251 = 0), then the starting value is interpreted as the starting speed and when operation is enabled, is connected to the output of the technology controller (r2294). If fault F07426 "technology controller actual value limited" occurs while ramping up to the starting value and if the associated reaction has been set to "NONE" (see p2100, p2101), the starting value is kept as the speed setpoint instead of a switch to closed-loop control operation.		
p2306	Technology controller fault signal inversion / Tec_ctrl fault inv		
	Access level: 3	Calculated: -	Data type: Integer16
	Can be changed: T	Scaling: -	Data set: -
	Units group: -	Unit selection: -	
	Min 0	Max 1	Factory setting 0
Description:	Setting to invert the fault signal of the technology controller. The setting depends on the type of control loop.		
Value:	0: No inversion 1: Inversion		
Caution:	If the actual value inversion is incorrectly selected, then the closed-loop control with the technology controller can become unstable and can oscillate!		
			
Note:	The correct setting can be determined as follows: - inhibit the technology controller (p2200 = 0). - increase the motor speed and in so doing, measure the actual value signal (of the technology controller). - if the actual value increases with increasing motor speed, then the inversion should be switched out. - if the actual value decreases with increasing motor speed, then the inversion should be set. If value = 0: The drive reduces the output speed when the actual value rises (e.g. for heating fans, intake pump, compressor). If value = 1: The drive increases the output speed when the actual value increases (e.g. for cooling fans, discharge pumps).		

r2344	CO: Technology controller last speed setpoint (smoothed) / Tec_ctrl n_setp_sm		
	Access level: 3	Calculated: -	Data type: FloatingPoint32
	Can be changed: -	Scaling: PERCENT	Data set: -
	Units group: -	Unit selection: -	
	Min - [%]	Max - [%]	Factory setting - [%]
Description:	Displays the smoothed speed setpoint of the technology controller prior to switching to operation with fault response (see p2345).		
Dependency:	Refer to: p2345		
Note:	The smoothing time is 10 s.		
p2345	Technology controller fault response / Tech_ctrl flt resp		
	Access level: 3	Calculated: -	Data type: Integer16
	Can be changed: U, T	Scaling: -	Data set: -
	Units group: -	Unit selection: -	
	Min 0	Max 2	Factory setting 0
Description:	Sets the response of the technology controller to the occurrence of a fault F07426 (technology controller actual value limited). The fault response is executed if status bits 8 or 9 in technology controller status word r2349 are set. If both status bits are zero, a switch back to technology controller operation will follow.		
Value:	0: Function inhibited 1: On fault: Changeover to r2344 (or p2302) 2: On fault: Changeover to p2215		
Dependency:	The parameterized fault response is only effective if the technology controller mode is set to p2251 = 0 (technology controller as main setpoint). Refer to: p2267, p2268, r2344 Refer to: F07426		
Notice:	Dependent upon the application, the changing over of the setpoint when fault F07426 occurs can lead to the fault condition disappearing and the re-activation of the technology controller. This can repeat itself and cause limit oscillations. In this case a suitable fault response or a different fixed setpoint 15 for the fault response p2345 = 2 should be selected.		
Note:	The parameterized fault response can only be achieved if the default fault response of the technology controller fault F07426 is set to "NONE" (see p2100, p2101). If a fault response other than "NONE" is entered in p2101 for F07426, p2345 must be set to zero. If the fault occurs during ramping up to the starting setpoint p2302, this starting setpoint is retained as the final value (there is no changeover to the fault response setpoint).		

r2349.0...12	CO/BO: Technology controller status word / Tec_ctrl status				
	Access level: 3	Calculated: -	Data type: Unsigned32		
	Can be changed: -	Scaling: -	Data set: -		
	Units group: -	Unit selection: -			
	Min	Max	Factory setting		
	-	-	-		
Description:	Displays the status word of the technology controller.				
Bit field:	Bit	Signal name	1 signal	0 signal	FP
	00	Technology controller de-activated	Yes	No	-
	01	Technology controller limited	Yes	No	-
	02	Technology controller, motorized potentiometer limited max.	Yes	No	-
	03	Technology controller, motorized potentiometer limited min.	Yes	No	-
	04	Technology controller speed setpoint total in setpoint channel	Yes	No	-
	05	Technology controller RFG bypassed in the setpoint channel	Yes	No	-
	06	Technology controller starting value at the current limit	No	Yes	-
	08	Technology controller actual value at the minimum	Yes	No	-
	09	Technology controller actual value at the maximum	Yes	No	-
	10	Technology controller output at the minimum	Yes	No	-
	11	Technology controller output at the maximum	Yes	No	-
	12	Fault response active	Yes	No	-
p2900[0...n]	CO: Fixed value 1 [%] / Fixed value 1 [%]				
	Access level: 3	Calculated: -	Data type: FloatingPoint32		
	Can be changed: U, T	Scaling: PERCENT	Data set: DDS, p0180		
	Units group: -	Unit selection: -			
	Min	Max	Factory setting		
	-10000.00 [%]	10000.00 [%]	0.00 [%]		
Description:	Sets a fixed percentage.				
Dependency:	Refer to: p2901, p2930				
Notice:	A BICO interconnection to a parameter that belongs to a drive data set always acts on the effective data set.				
Note:	The value can be used to interconnect a scaling function (e.g. scaling of the main setpoint)				
p2901[0...n]	CO: Fixed value 2 [%] / Fixed value 2 [%]				
	Access level: 3	Calculated: -	Data type: FloatingPoint32		
	Can be changed: U, T	Scaling: PERCENT	Data set: DDS, p0180		
	Units group: -	Unit selection: -			
	Min	Max	Factory setting		
	-10000.00 [%]	10000.00 [%]	0.00 [%]		
Description:	Sets a fixed percentage.				
Dependency:	Refer to: p2900, p2930				
Notice:	A BICO interconnection to a parameter that belongs to a drive data set always acts on the effective data set.				
Note:	The value can be used to interconnect a scaling function (e.g. scaling of the supplementary setpoint)				

r2902[0...14]	CO: Fixed values [%] / Fixed values [%]		
	Access level: 3	Calculated: -	Data type: FloatingPoint32
	Can be changed: -	Scaling: PERCENT	Data set: -
	Units group: -	Unit selection: -	
	Min - [%]	Max - [%]	Factory setting - [%]
Description:	Signal sources for frequently used percentage values.		
Index:	[0] = Fixed value +0 % [1] = Fixed value +5 % [2] = Fixed value +10 % [3] = Fixed value +20 % [4] = Fixed value +50 % [5] = Fixed value +100 % [6] = Fixed value +150 % [7] = Fixed value +200 % [8] = Fixed value -5 % [9] = Fixed value -10 % [10] = Fixed value -20 % [11] = Fixed value -50 % [12] = Fixed value -100 % [13] = Fixed value -150 % [14] = Fixed value -200 %		
Dependency:	Refer to: p2900, p2901, p2930		
Note:	The signal sources can, for example, be used to interconnect scalings.		
p2930[0...n]	CO: Fixed value M [Nm] / Fixed value M [Nm]		
	Access level: 3	Calculated: -	Data type: FloatingPoint32
	Can be changed: U, T	Scaling: p2003	Data set: DDS, p0180
	Units group: -	Unit selection: -	
	Min -100000.00 [Nm]	Max 100000.00 [Nm]	Factory setting 0.00 [Nm]
Description:	Sets a fixed value for torque.		
Dependency:	Refer to: p2900, p2901		
Notice:	A BICO interconnection to a parameter that belongs to a drive data set always acts on the effective data set.		
Note:	The value can, for example, be used to interconnect a supplementary torque.		

r3113.0...15	CO/BO: NAMUR message bit bar / NAMUR bit bar				
	Access level: 3	Calculated: -	Data type: Unsigned16		
	Can be changed: -	Scaling: -	Data set: -		
	Units group: -	Unit selection: -			
	Min	Max	Factory setting		
	-	-	-		
Description:	Displays the status of NAMUR signal bit bar. The faults or alarms are assigned to the appropriate signaling/message classes and influence a specific message bit.				
Bit field:	Bit	Signal name	1 signal	0 signal	FP
	00	Fault drive converter data electronics / software error	Yes	No	-
	01	Line supply fault	Yes	No	-
	02	DC link overvoltage	Yes	No	-
	03	Fault drive converter power electronics	Yes	No	-
	04	Drive converter overtemperature	Yes	No	-
	05	Ground fault	Yes	No	-
	06	Motor overload	Yes	No	-
	07	Bus error	Yes	No	-
	08	External safety-relevant shutdown	Yes	No	-
	10	Error communication internal	Yes	No	-
	11	Fault infeed	Yes	No	-
	15	Other faults	Yes	No	-

p3320[0...n]	Fluid flow machine $P = f(n)$, Y coordinate: P flow1 %, point 1 / Fluid flow mach Y1			
	Access level: 2	Calculated: -	Data type: FloatingPoint32	
	Can be changed: U, T	Scaling: -	Data set: DDS, p0180	
	Units group: -	Unit selection: -		
	Min	Max	Factory setting	
	0.00	100.00	25.00	
Description:	The power (P) for point 1 on the Y coordinate of the flow characteristic is saved in p3320. Unit: %			
Dependency:	Refer to: p3321			
Note:	The reference value for power and speed is the rated power/rated speed. The energy saved is displayed in r0041.			

p3321[0...n]	Fluid flow machine $P = f(n)$, X coordinate: n flow1 %, point 1 / Fluid flow mach X1			
	Access level: 2	Calculated: -	Data type: FloatingPoint32	
	Can be changed: U, T	Scaling: -	Data set: DDS, p0180	
	Units group: -	Unit selection: -		
	Min	Max	Factory setting	
	0.00	100.00	0.00	
Description:	The speed (n) for point 1 on the X coordinate of the flow characteristic is saved in p3321. Unit: %			
Dependency:	Refer to: p3320			
Note:	The reference value for power and speed is the rated power/rated speed. The energy saved is displayed in r0041.			

p3322[0...n] Fluid flow machine $P = f(n)$, Y coordinate: P flow2 %, point 2 / Fluid flow mach Y2

Access level: 2	Calculated: -	Data type: FloatingPoint32
Can be changed: U, T	Scaling: -	Data set: DDS, p0180
Units group: -	Unit selection: -	
Min 0.00	Max 100.00	Factory setting 50.00

Description: The power (P) for point 2 on the Y coordinate of the flow characteristic is saved in p3322. Unit: %

Dependency: Refer to: p3323

Note: The reference value for power and speed is the rated power/rated speed.
The energy saved is displayed in r0041.

p3323[0...n] Fluid flow machine $P = f(n)$, X coordinate: n flow2 %, point 2 / Fluid flow mach X2

Access level: 2	Calculated: -	Data type: FloatingPoint32
Can be changed: U, T	Scaling: -	Data set: DDS, p0180
Units group: -	Unit selection: -	
Min 0.00	Max 100.00	Factory setting 25.00

Description: The speed (n) for point 2 on the X coordinate of the flow characteristic is saved in p3323. Unit: %

Dependency: Refer to: p3322

Note: The reference value for power and speed is the rated power/rated speed.
The energy saved is displayed in r0041.

p3324[0...n] Fluid flow machine $P = f(n)$, Y coordinate: P flow3 %, point 3 / Fluid flow mach Y3

Access level: 2	Calculated: -	Data type: FloatingPoint32
Can be changed: U, T	Scaling: -	Data set: DDS, p0180
Units group: -	Unit selection: -	
Min 0.00	Max 100.00	Factory setting 77.00

Description: The power (P) for point 3 on the Y coordinate of the flow characteristic is saved in p3324. Unit: %

Dependency: Refer to: p3325

Note: The reference value for power and speed is the rated power/rated speed.
The energy saved is displayed in r0041.

p3325[0...n] Fluid flow machine $P = f(n)$, X coordinate: n flow3 %, point 3 / Fluid flow mach X3

Access level: 2	Calculated: -	Data type: FloatingPoint32
Can be changed: U, T	Scaling: -	Data set: DDS, p0180
Units group: -	Unit selection: -	
Min 0.00	Max 100.00	Factory setting 50.00

Description: The speed (n) for point 3 on the X coordinate of the flow characteristic is saved in p3325. Unit: %

Dependency: Refer to: p3324

Note: The reference value for power and speed is the rated power/rated speed.
The energy saved is displayed in r0041.

p3326[0...n] Fluid flow machine $P = f(n)$, Y coordinate: P flow4 %, point 4 / Fluid flow mach Y4

Access level: 2	Calculated: -	Data type: FloatingPoint32
Can be changed: U, T	Scaling: -	Data set: DDS, p0180
Units group: -	Unit selection: -	
Min 0.00	Max 100.00	Factory setting 92.00

Description: The power (P) for point 4 on the Y coordinate of the flow characteristic is saved in p3326. Unit: %

Dependency: Refer to: p3327

Note: The reference value for power and speed is the rated power/rated speed.
The energy saved is displayed in r0041.

p3327[0...n] Fluid flow machine $P = f(n)$, X coordinate: n flow4 %, point 4 / Fluid flow mach X4

Access level: 2	Calculated: -	Data type: FloatingPoint32
Can be changed: U, T	Scaling: -	Data set: DDS, p0180
Units group: -	Unit selection: -	
Min 0.00	Max 100.00	Factory setting 75.00

Description: The speed (n) for point 4 on the X coordinate of the flow characteristic is saved in p3327. Unit: %

Dependency: Refer to: p3326

Note: The reference value for power and speed is the rated power/rated speed.
The energy saved is displayed in r0041.

p3328[0...n] Fluid flow machine $P = f(n)$, Y coordinate: P flow5 %, point 5 / Fluid flow mach Y5

Access level: 2	Calculated: -	Data type: FloatingPoint32
Can be changed: U, T	Scaling: -	Data set: DDS, p0180
Units group: -	Unit selection: -	
Min 0.00	Max 100.00	Factory setting 100.00

Description: The power (P) for point 5 on the Y coordinate of the flow characteristic is saved in p3328. Unit: %

Dependency: Refer to: p3329

Note: The reference value for power and speed is the rated power/rated speed.
The energy saved is displayed in r0041.

p3329[0...n] Fluid flow machine $P = f(n)$, X coordinate: n flow5 %, point 5 / Fluid flow mach X5

Access level: 2	Calculated: -	Data type: FloatingPoint32
Can be changed: U, T	Scaling: -	Data set: DDS, p0180
Units group: -	Unit selection: -	
Min 0.00	Max 100.00	Factory setting 100.00

Description: The speed (n) for point 5 on the X coordinate of the flow characteristic is saved in p3329. Unit: %

Dependency: Refer to: p3328

Note: The reference value for power and speed is the rated power/rated speed.
The energy saved is displayed in r0041.

p3330[0...n]	BI: 2-3-WIRE Control Command 1 / 2-3-WIRE CC_1				
	Access level: 3	Calculated: -	Data type: U32 / Binary		
	Can be changed: U, T	Scaling: -	Data set: CDS, p0170		
	Units group: -	Unit selection: -			
	Min	Max	Factory setting		
	-	-	0		
Description:	The function of the 2-3-WIRE Control Command 1 depends on the selected 2-3-WIRE type. It shall be predefined by p0015				
p3331[0...n]	BI: 2-3-WIRE Control Command 2 / 2-3-WIRE CC_2				
	Access level: 3	Calculated: -	Data type: U32 / Binary		
	Can be changed: U, T	Scaling: -	Data set: CDS, p0170		
	Units group: -	Unit selection: -			
	Min	Max	Factory setting		
	-	-	0		
Description:	The function of the 2-3-WIRE Control Command 2 depends on the selected 2-3-WIRE type. It shall be predefined by p0015				
p3332[0...n]	BI: 2-3-WIRE Control Command 3 / 2-3-WIRE CC_3				
	Access level: 3	Calculated: -	Data type: U32 / Binary		
	Can be changed: U, T	Scaling: -	Data set: CDS, p0170		
	Units group: -	Unit selection: -			
	Min	Max	Factory setting		
	-	-	0		
Description:	The function of the 2-3-WIRE Control Command 3 depends on the selected 2-3-WIRE type. It shall be predefined by p0015				
r3333.0...3	CO/BO: 2-3-WIRE Output / 2-3-WIRE OUT				
	Access level: 3	Calculated: -	Data type: Unsigned32		
	Can be changed: -	Scaling: -	Data set: -		
	Units group: -	Unit selection: -			
	Min	Max	Factory setting		
	-	-	-		
Description:	The output values of the 2-3-WIRE Control Command depends on the selected 2-3-WIRE type and the control command inputs. Type shall be predefined by p0015				
Bit field:	Bit	Signal name	1 signal	0 signal	FP
	00	2-3-Wire On	Yes	No	-
	01	2-3-Wire Reverse	Yes	No	-
	02	2-3-Wire On/Inverse	Yes	No	-
	03	2-3-Wire Reverse/Inverse	Yes	No	-
p3334	2-3-WIRE Selection / 2-3-WIRE Sel				
	Access level: 4	Calculated: -	Data type: Integer16		
	Can be changed: U, T	Scaling: -	Data set: -		
	Units group: -	Unit selection: -			
	Min	Max	Factory setting		
	0	4	0		
Description:	Determines the 2/3-Wire type using the terminals. It shall be predefined by p0015.				
Value:	0: No 2/3-Wire control 1: 2-Wire Forward-Backward 1 2: 2-Wire Forward-Backward 2 3: 3-Wire Enable-Forward-Backward 4: 3-Wire Enable-On-Reverse				

p3856[0...n]		Compound braking current / Compound I_brake		
	Access level: 3	Calculated: -	Data type: FloatingPoint32	
	Can be changed: U, T	Scaling: PERCENT	Data set: DDS, p0180	
	Units group: -	Unit selection: -		
	Min 0.00 [%]	Max 250.00 [%]	Factory setting 0.00 [%]	
Description:	Compound braking current is used to define the amount of DC current that is produced on stopping the motor during U/f operation to further increase the DC brake function. Compound braking is a superimposition of the DC brake function with regenerative braking (net braking along the ramp) after OFF1 or OFF3. This permits braking with controlled motor frequency and minimum power input into the motor. Effective braking without using additional hardware components is obtained by optimizing the ramp down time and compound braking.			
Dependency:	The compound braking current is only activated if the DC link voltage exceeds the threshold value in r1282. Compound braking does not operate: - when DC braking is active (refer to p1230, r1239) - as long as the motor is not magnetized (e.g. for flying restart) - for vector control (p1300 >= 20) - for synchronous motors (p0300 = 2xx)			
Caution:	Generally, increasing the braking current improves the braking effect when stopping the motor. However, if the value is set too high, then the drive can be tripped (shut down) as a result of overcurrent or ground fault. Recommendation: $p3856 < 100 \% \times (r0209 - r0331) / p0305 / 2$ Compound braking generates a current in the motor with a ripple manifesting the rotational frequency. The higher the braking current is set, the higher the resulting ripple, especially when the Vdc(max) control is simultaneously active (refer to p1280).			
Note:	The parameter value is entered relative to the rated motor current (p0305). Compound braking is deactivated with p3856 = 0%.			

r3859.0		CO/BO: Compound braking status word / Compound Br ZSW			
	Access level: 3	Calculated: -	Data type: Unsigned32		
	Can be changed: -	Scaling: -	Data set: -		
	Units group: -	Unit selection: -			
	Min -	Max -	Factory setting -		
Description:	Displays the status word of the compound braking.				
Bit field:	Bit	Signal name	1 signal	0 signal	FP
	00	Compound braking active	Yes	No	-
Dependency:	Refer to: p3856				

p3900		Completion of quick commissioning / Compl quick_comm		
	Access level: 1	Calculated: -	Data type: Integer16	
	Can be changed: C(1)	Scaling: -	Data set: -	
	Units group: -	Unit selection: -		
	Min	Max	Factory setting	
	0	3	0	
Description:	<p>Exits quick commissioning (p0010 = 1) with automatic calculation of all parameters of all existing drive data sets that depend on the entries made during quick commissioning.</p> <p>p3900 = 1 initially includes a parameter reset (factory setting, the same as p0970 = 1) for all parameters of the drive object; however, without overwriting the entries made during the quick commissioning.</p> <p>The interconnections of PROFIBUS PZD telegram selection (p0922) and the interconnections via p15 and p1500 are re-established and all of the dependent motor, open-loop and control-loop control parameters are calculated (corresponding to p0340 = 1).</p> <p>p3900 = 2 includes the restoration of the interconnections of PROFIBUS PZD telegram selection (p0922) and the interconnections via p15 and p1500 and the calculations corresponding to p0340 = 1.</p> <p>p3900 = 3 only includes the calculations associated with the motor, open-loop and closed-loop control parameters corresponding to p0340 = 1.</p>			
Value:	<p>0: No quick parameterization</p> <p>1: Quick parameterization after parameter reset</p> <p>2: Quick parameterization (only) for BICO and motor parameters</p> <p>3: Quick parameterization for motor parameters (only)</p>			
Notice:	After the value has been modified, no further parameter modifications can be made and the status is shown in r3996. Modifications can be made again when r3996 = 0.			
Note:	<p>When the calculations have been completed, p3900 and p0010 are automatically reset to a value of 0.</p> <p>When calculating motor, open-loop and closed-loop control parameters (such as for p0340 = 1) parameters associated with a selected Siemens catalog motor are not overwritten.</p> <p>If a catalog motor has not been selected (see p0300), then the following parameters are reset with p3900 > 0 in order to restore the situation that applied when commissioning the drive for the first time:</p> <p>for induction motors p0320, p0352, p0362 ... p0369, p0604, p0605.</p> <p>for synchronous motors p0352, p0604, p0605.</p>			

r3925[0...n]		Identification final display / Ident final_disp			
	Access level: 3	Calculated: p0340 = 1	Data type: Unsigned32		
	Can be changed: -	Scaling: -	Data set: DDS, p0180		
	Units group: -	Unit selection: -			
	Min	Max	Factory setting		
	-	-	-		
Description:	Displays the commissioning steps that have been carried out.				
Bit field:	Bit	Signal name	1 signal	0 signal	FP
	00	Motor/control parameters calculated (p0340 = 1, p3900 > 0)	Yes	No	-
	02	Motor data identification carried out at standstill (p1910 = 1)	Yes	No	-
	03	Rotating measurement carried out (p1960 = 1, 2)	Yes	No	-
	15	Motor equivalent circuit diagram parameters changed	Changed	Not changed	-
Note:	<p>The individual bits are only set if the appropriate action has been initiated and successfully completed.</p> <p>When motor rating plate parameters are changed, the final display is reset.</p> <p>When setting the individual bits, all of the most significant bits are reset.</p>				

r3926[0...n]	Alternating voltage generation base voltage amplitude / Alt U_gen U_base		
	Access level: 4	Calculated: -	Data type: FloatingPoint32
	Can be changed: -	Scaling: -	Data set: MDS
	Units group: -	Unit selection: -	
	Min - [V]	Max - [V]	Factory setting - [V]
Description:	Displays the base voltage of the alternating voltage for the last motor data identification. 0: No alternating voltages, function de-activated. Otherwise: Base voltage for alternating current generation in volts.		

r3927[0...n]	Motor data identification control word / MotID STW		
	Access level: 4	Calculated: p0340 = 1	Data type: Unsigned16
	Can be changed: -	Scaling: -	Data set: DDS, p0180
	Units group: -	Unit selection: -	
	Min -	Max -	Factory setting -

Description: Successfully completed component of the last motor data identification carried out.

Bit field:	Bit	Signal name	1 signal	0 signal	FP
	00	Stator inductance estimate no measurement	Yes	No	-
	02	Rotor time constant estimate no measurement	Yes	No	-
	03	Leakage inductance estimate no measurement	Yes	No	-
	05	Determine Tr and Lsig evaluation in the time range	Yes	No	-
	06	Activate vibration damping	Yes	No	-
	07	De-activate vibration detection	Yes	No	-
	11	De-activate pulse measurement Lq Ld	Yes	No	-
	12	De-activate rotor resistance Rr measurement	Yes	No	-
	14	De-activate valve interlocking time measurement	Yes	No	-
	15	Determine only stator resistance, valve voltage fault, dead time	Yes	No	-

Dependency: Refer to: r3925

Note: The parameter is a copy of p1909.

r3928[0...n]	Rotating measurement configuration / Rot meas config		
	Access level: 4	Calculated: p0340 = 1	Data type: Unsigned16
	Can be changed: -	Scaling: -	Data set: DDS, p0180
	Units group: -	Unit selection: -	
	Min -	Max -	Factory setting -


Description: Successfully completed component of the last rotating measurement carried out.

Bit field:	Bit	Signal name	1 signal	0 signal	FP
	01	Saturation characteristic identification	Yes	No	-
	02	Moment of inertia identification	Yes	No	-
	03	Re-calculates the speed controller parameters	Yes	No	-
	04	Speed controller optimization (vibration test)	Yes	No	-
	05	q leakage inductance ident. (for current controller adaptation)	Yes	No	-

Dependency: Refer to: r3925

Note: The parameter is a copy of p1959.

r3929[0...n] Motor data identification modulated voltage generation / MotID U_gen mod					
	Access level: 4	Calculated: p0340 = 1	Data type: Unsigned32		
	Can be changed: -	Scaling: -	Data set: DDS, p0180		
	Units group: -	Unit selection: -			
	Min	Max	Factory setting		
	-	-	-		
Description:	Configuration of voltage generation for the various MotID sections in the case of the most recent successful MotID.				
Bit field:	Bit	Signal name	1 signal	0 signal	FP
	00	Wobble U_generate to determine dead-time correction	Yes	No	-
	01	Wobble U_generate to determine stator resistance	Yes	No	-
	02	Wobble U_generate to determine rotor time constant	Yes	No	-
	03	Wobble U_generate to determine leakage inductance	Yes	No	-
	04	Wobble U_generate to determine dyn. leakage inductance	Yes	No	-
	05	Wobble U_generate to determine magnetizing inductance	Yes	No	-
	08	Alternating U_generate to determine dead-time correction	Yes	No	-
	09	Alternating U_generate to determine stator resistance	Yes	No	-
	10	Alternating U_generate to determine rotor time constant	Yes	No	-
	11	Alternating U_generate to determine leakage inductance	Yes	No	-
	12	Alternating U_generate to determine dyn. leakage inductance	Yes	No	-
	13	Alternating U_generate to determine magnetizing inductance	Yes	No	-
p3950 Service parameter / Serv. par.					
	Access level: 3	Calculated: -	Data type: Unsigned16		
	Can be changed: C, U, T	Scaling: -	Data set: -		
	Units group: -	Unit selection: -			
	Min	Max	Factory setting		
	-	-	-		
Description:	For service personnel only.				
p3981 Faults, acknowledge drive object / Faults ackn DO					
	Access level: 3	Calculated: -	Data type: Unsigned8		
	Can be changed: U, T	Scaling: -	Data set: -		
	Units group: -	Unit selection: -			
	Min	Max	Factory setting		
	0	1	0		
Description:	Setting to acknowledge all active faults of a drive object.				
Note:	Parameter should be set from 0 to 1 to acknowledge. After acknowledgement, the parameter is automatically reset to 0.				

p3985	Master control mode selection / PcCtrl mode select			
	Access level: 3	Calculated: -	Data type: Integer16	
	Can be changed: U, T	Scaling: -	Data set: -	
	Units group: -	Unit selection: -		
	Min 0	Max 1	Factory setting 0	
Description:	Sets the mode to change over the master control / LOCAL mode.			
Value:	0: Change master control for STW1.0 = 0 1: Change master control in operation			
Danger:	When changing the master control in operation, the drive can manifest undesirable behavior - e.g. it can accelerate up to another setpoint.			
				
r3996	Parameter write inhibit status / Par_write inhib st			
	Access level: 3	Calculated: -	Data type: Unsigned8	
	Can be changed: -	Scaling: -	Data set: -	
	Units group: -	Unit selection: -		
	Min -	Max -	Factory setting -	
Description:	Displays whether writing to parameters is inhibited. r3996 = 0: Parameter write not inhibited. 0 < r3996 < 100: Parameter write inhibited. The value shows how the calculations are progressing.			
r7760	Write protection status / Write prot stat			
	Access level: 3	Calculated: -	Data type: Unsigned16	
	Can be changed: -	Scaling: -	Data set: -	
	Units group: -	Unit selection: -		
	Min -	Max -	Factory setting -	
Description:	Displays the status for write protection of adjustable parameters.			
Bit field:	Bit	Signal name	1 signal	0 signal
	00	Write protection active		FP
Note:	Write protection can be activated/deactivated via p7760 on the Control Unit.			
p7761	Write protection / Write protection			
	Access level: 3	Calculated: -	Data type: Integer16	
	Can be changed: U, T	Scaling: -	Data set: -	
	Units group: -	Unit selection: -		
	Min 0	Max 1	Factory setting 0	
Description:	Setting for activating/de-activating the write protection for adjustable parameters.			
Value:	0: Inactive 1: Active			
Note:	The following parameters are excluded from the write protection: - p0003 (BOP access level) - p0971 (drive object save parameters) - p0977 (save all parameters) - p3950 (service parameters) - p3981 (acknowledge fault, drive object) - p7760 (adjustable parameters write protection)			

r8570[0...39]	Macro drive object / Macro DO		
	Access level: 1	Calculated: -	Data type: Unsigned32
	Can be changed: -	Scaling: -	Data set: -
	Units group: -	Unit selection: -	
	Min	Max	Factory setting
	-	-	-
Description:	Displays the macro file saved in the appropriate directory on the memory card/device memory.		
Dependency:	Refer to: p0015		
Note:	For a value = 9999999, the following applies: The read operation is still running.		

r8600	CAN device type / Device type		
G120C CAN	Access level: 3	Calculated: -	Data type: Unsigned32
	Can be changed: -	Scaling: -	Data set: -
	Units group: -	Unit selection: -	
	Min	Max	Factory setting
	-	-	-
Description:	Displays all of the devices connected to the CAN bus after run-up. r8600 = 00000000 hex: No drive recognized. = 02010192 hex: 1 Vector drive		
Note:	Corresponds to the CANopen object 1000 hex. For each detected drive, the device type is displayed in object 67FF hex.		

r8601	CAN error register / Error register		
G120C CAN	Access level: 3	Calculated: -	Data type: Unsigned8
	Can be changed: -	Scaling: -	Data set: -
	Units group: -	Unit selection: -	
	Min	Max	Factory setting
	-	-	-
Description:	Displays the error register for CANopen. Bit 0: Generic error 0 signal: No error present. 1 signal: Generic error present. Bit 1 ... 3: Not supported (always a 0 signal) Bit 4: Communications error 0 signal: There is no message in the range 8700 ... 8799. 1 signal: There is at least one message (fault or alarm) in the range 8700 ... 8799. Bit 5 ... 6: Not supported (always a 0 signal) Bit 7: Fault outside the range 8700 ... 8799 0 signal: There is no fault outside the range 8700 ... 8799. 1 signal: There is at least one fault outside the range 8700 ... 8799.		
Note:	Corresponds to the CANopen object 1001 hex.		

p8602 CAN SYNC object / SYNC object			
G120C CAN	Access level: 3	Calculated: -	Data type: Unsigned32
	Can be changed: T	Scaling: -	Data set: -
	Units group: -	Unit selection: -	
	Min 0000 hex	Max FFFF FFFF hex	Factory setting 0080 hex
Description:	Sets the SYNC object parameter for the following CANopen objects: - 1005 hex: COB-ID		
Note:	SINAMICS operates as SYNC load. COB-ID: CAN object identification		
p8603 CAN COB-ID Emergency Message / COB-ID EMCY Msg			
G120C CAN	Access level: 3	Calculated: -	Data type: Unsigned32
	Can be changed: T	Scaling: -	Data set: -
	Units group: -	Unit selection: -	
	Min 0000 hex	Max FFFF FFFF hex	Factory setting 0000 hex
Description:	Sets the COB-ID for the emergency message (error telegram). It corresponds to the CANopen objects: - 1014 hex: COB-ID		
Note:	If, when downloading, the pre-set value 0 is downloaded, then the CANopen pre-set value 80 hex + Node-ID is automatically set. Online, the value 0 is rejected as, according to the CANopen Standard, COB-ID 0 is not permitted here. The changeover of the node ID using the hardware switch at the Control Unit or per software has no effect on the COB-ID EMCY. The saved value remains effective.		
p8604[0...1] CAN node guarding / Node guarding			
G120C CAN	Access level: 3	Calculated: -	Data type: Unsigned16
	Can be changed: T	Scaling: -	Data set: -
	Units group: -	Unit selection: -	
	Min 0	Max 65535	Factory setting 0
Description:	Sets the node guarding parameter for the following CANopen objects: - 100C hex: Guard Time - 100D hex: Life Time Factor The life time is derived by multiplying guard time by the life time factor.		
Index:	[0] = Time interval [ms] for new node guarding telegram [1] = Factor for failure of the node guarding telegram		
Dependency:	Only adjustable if heartbeat time = 0 (heartbeat is disabled). Refer to: p8606		
Note:	For p8604[0] = 0 and/or p8604[1] = 0, the node guarding protocol is not used. Either node guarding or heartbeat can be used.		

p8606 CAN Producer Heartbeat Time / Prod Heartb Time			
G120C CAN	Access level: 3	Calculated: -	Data type: Unsigned16
	Can be changed: T	Scaling: -	Data set: -
	Units group: -	Unit selection: -	
	Min 0 [ms]	Max 65535 [ms]	Factory setting 0 [ms]
Description:	Sets the time [ms] to cyclically send heartbeat telegrams. The smallest cycle time is 100 ms.		
	When a 0 is written, then heartbeat telegrams are not sent.		
Dependency:	Only adjustable if guard time = 0 (node guarding disabled). Refer to: p8604		
Note:	Corresponds to the CANopen object 1017 hex. Either node guarding or heartbeat can be used.		
r8607[0...3] CAN Identity Object / Identity object			
G120C CAN	Access level: 3	Calculated: -	Data type: Unsigned32
	Can be changed: -	Scaling: -	Data set: -
	Units group: -	Unit selection: -	
	Min -	Max -	Factory setting -
Description:	General device information display.		
Index:	[0] = Vendor ID [1] = Product code [2] = Revision number [3] = Serial number		
Note:	Corresponds to the CANopen object 1018 hex. Re index 3: The SINAMICS serial number comprises 60 bits. Of these bits, the following are displayed in this index: Bits 0 ... 19: Consecutive number Bits 20 ... 23: Production ID - 0 hex: Development - 1 hex: P1 unique number - 2 hex: P2 unique number - 3 hex: WA unique number - 9 hex: Pattern - F hex: All others Bits 24 ... 27: Month of manufacture (0 means January, B means December) Bits 28 ... 31: Year of manufacture (0 means 2002)		

p8608[0...1]	CAN Clear Bus Off Error / Clear bus off err		
G120C CAN	Access level: 3	Calculated: -	Data type: Integer16
	Can be changed: U, T	Scaling: -	Data set: -
	Units group: -	Unit selection: -	
	Min	Max	Factory setting
	0	1	0
Description:	As a result of a Bus Off error, the CAN controller is set into the initialization state. Index 0: The CAN controller is manually started after resolving the cause of the error with p8608[0] = 1 Index 1: The automatic CAN bus start function is activated using p8608[1] = 1. At 2 second intervals, the CAN controller is automatically restarted until the cause of the error has been resolved and a CAN connection has been established.		
Value:	0: Inactive 1: Start CAN controller		
Index:	[0] = Manual controller start function [1] = Activating the automatic controller start function		
Note:	Index 0: This parameter is automatically reset to 0 after start.		
p8609[0...1]	CAN Error Behavior / Error behavior		
G120C CAN	Access level: 3	Calculated: -	Data type: Integer16
	Can be changed: T	Scaling: -	Data set: -
	Units group: -	Unit selection: -	
	Min	Max	Factory setting
	0	2	1
Description:	Sets the behavior of the CAN node referred to the communications error or equipment fault.		
Value:	0: Pre-operational 1: No change 2: Stopped		
Index:	[0] = Behavior for communication errors [1] = Behavior for device faults		
Note:	Corresponds to the CANopen object 1029 hex.		
r8610[0...1]	CAN First Server SDO / First server SDO		
G120C CAN	Access level: 3	Calculated: -	Data type: Unsigned32
	Can be changed: -	Scaling: -	Data set: -
	Units group: -	Unit selection: -	
	Min	Max	Factory setting
	-	-	-
Description:	Displays the identifier (client/server and server/client) of the SDO channel.		
Index:	[0] = Displays the COB ID from client to server [1] = Displays the COB ID from server to client		
Note:	Corresponds to the CANopen object 1200 hex. SDO: Service Data Object		

p8611[0...82]	CAN Pre-defined Error Field / Pre_def err field		
G120C CAN	Access level: 3	Calculated: -	Data type: Unsigned32
	Can be changed: U, T	Scaling: -	Data set: -
	Units group: -	Unit selection: -	
	Min 0000 hex	Max FFFF 1000 hex	Factory setting 0000 hex
Description:	<p>Displays the Pre-defined Error Field of the CAN node.</p> <p>It includes the number of all errors that have occurred, the number of errors that have occurred for each drive and the errors according to their history.</p> <p>The first 16 bits represent the CANopen error code and the second 16 bits the SINAMICS error code.</p> <p>Index 1 has the same structure - however, the drive object ID is in the second 16 bits instead of the SINAMICS error code.</p> <p>CANopen error code:</p> <p>0000 hex: No error present</p> <p>8110 hex: Alarm A08751 present</p> <p>8120 hex: Alarm A08752 present</p> <p>8130 hex: Alarm A08700(F) with alarm value = 2 present</p> <p>1000 hex: Generic error 1 present (there is at least one fault outside the range 8700 ... 8799)</p> <p>1001 hex: Generic error 2 present (there is at least one alarm in the range 8700 ... 8799 with the exception of A08751, A08752, A08700)</p> <p>All drive objects are acknowledged by writing the value 0 to the index 0. As soon as a fault has been acknowledged or an alarm cleared, then it is also cleared from the fault list.</p>		
Index:	<p>[0] = Number of all faults in the drive unit</p> <p>[1] = Most recent drive number / fault number</p> <p>[2] = Number of faults drive 1</p> <p>[3] = Fault 1/ drive 1</p> <p>[4] = Fault 2/ drive 1</p> <p>[5] = Fault 3/ drive 1</p> <p>[6] = Fault 4/ drive 1</p> <p>[7] = Fault 5/ drive 1</p> <p>[8] = Fault 6/ drive 1</p>		
Note:	Corresponds to the CANopen object 1003 hex.		

p8620			
CAN Node-ID / Node ID			
G120C CAN	Access level: 2	Calculated: -	Data type: Unsigned8
	Can be changed: T	Scaling: -	Data set: -
	Units group: -	Unit selection: -	
	Min 1	Max 127	Factory setting 126
Description:	Display or setting of the CANopen Node ID. The Node ID can be set as follows: 1) Using the address switch on the Control Unit. --> p8620 can then only be read and displays the selected Node ID. --> A change only becomes effective after a POWER ON. --> CANopen Node ID and PROFIBUS address are identical. 2) Using p8620 --> Only if address 0 is set using the address switch. --> the Node ID is set as standard to 126. --> A change only becomes effective after save and POWER ON.		
Dependency:	Refer to: r8621		
Notice:	For p0014 = 1, the following applies: After the value has been modified, no further parameter modifications can be made and the status is shown in r3996. Modifications can be made again when r3996 = 0. For p0014 = 0, the following applies: Before a changed setting becomes permanently effective, a non-volatile RAM to ROM data save is required. To do this, set p0971 = 1 or p0014 = 1.		
Note:	Every node ID change only becomes effective after a POWER ON. The active node ID is displayed in r8621. The parameter is not influenced by setting the factory setting. It is only possible to independently set CANopen node ID and the PROFIBUS address using p0918 and p8620 (pre-requisite: the address 0 is set for the address switch).		

r8621			
CAN Node-ID active / Node ID active			
G120C CAN	Access level: 3	Calculated: -	Data type: Unsigned8
	Can be changed: -	Scaling: -	Data set: -
	Units group: -	Unit selection: -	
	Min -	Max -	Factory setting -
Description:	Displays the active CANopen Node ID.		
Dependency:	Refer to: p8620		

p8622		CAN bit rate / Bit rate	
G120C CAN	Access level: 3	Calculated: -	Data type: Integer16
	Can be changed: T	Scaling: -	Data set: -
	Units group: -	Unit selection: -	
	Min	Max	Factory setting
	0	7	6
Description:	Setting the bit rate for the CAN bus. The appropriate bit timings are selected that are defined in p8623 in the associated sub-index. Example: Bit rate = 20 kbit/s --> p8622 = 6 --> associated bit timing is in p8623[6].		
Value:	0: 1 Mbit/s 1: 800 kbit/s 2: 500 kbit/s 3: 250 kbit/s 4: 125 kbit/s 5: 50 kbit/s 6: 20 kbit/s 7: 10 kbit/s		
Dependency:	Refer to: p8623		
Notice:	For p0014 = 1, the following applies: After the value has been modified, no further parameter modifications can be made and the status is shown in r3996. Modifications can be made again when r3996 = 0. For p0014 = 0, the following applies: Before a changed setting becomes permanently effective, a non-volatile RAM to ROM data save is required. To do this, set p0971 = 1 or p0014 = 1.		
Note:	The parameter is not influenced by setting the factory setting.		

p8623[0...7]	CAN Bit Timing selection / Bit timing select		
G120C CAN	Access level: 3	Calculated: -	Data type: Unsigned32
	Can be changed: T	Scaling: -	Data set: -
	Units group: -	Unit selection: -	
	Min 0000 hex	Max 000F 7FFF hex	Factory setting [0] 1405 hex [1] 1605 hex [2] 1C05 hex [3] 1C0B hex [4] 1C17 hex [5] 1C3B hex [6] 0002 1C15 hex [7] 0004 1C2B hex
Description:	Sets the bit timing for the C_CAN controller to the associated and selected bit rate (p8622). Bits are distributed to the following parameters of the C_CAN controller in p8623[0...7]: Bit 0 ... 5: BRP (Baud Rate Prescaler) Bit 6 ... 7: SJW (Synchronization Jump Width) Bit 8 ... 11: TSEG1 (Time Segment 1, before the sampling point) Bit 12 ... 14: TSEG2 (Time Segment 2, after the sampling point) Bit 15: Reserved Bit 16 ... 19: BRPE (Baud Rate Prescaler Extension) Bit 20 ... 31: Reserved Example: Bit rate = 20 kbit/s --> p8622 = 6 --> associated bit timing is in p8623[6] --> 0001 2FB6		
Index:	[0] = 1 Mbit/s [1] = 800 kbit/s [2] = 500 kbit/s [3] = 250 kbit/s [4] = 125 kbit/s [5] = 50 kbit/s [6] = 20 kbit/s [7] = 10 kbit/s		
Dependency:	Refer to: p8622		
Note:	The parameter is not influenced by setting the factory setting.		

p8630[0...2]		CAN virtual objects / Virtual objects	
G120C CAN	Access level: 3	Calculated: -	Data type: Unsigned16
	Can be changed: U, T	Scaling: -	Data set: -
	Units group: -	Unit selection: -	
	Min	Max	Factory setting
	0	65535	0
Description:	Activating access to parameters via manufacturer-specific CANopen objects and setting for the subindex area (index 1) and the parameter area (index 2) when using virtual objects. This means that it is possible to access all SINAMICS parameters via CAN. Index 0: 0: Not possible to access virtual CANopen objects 1: Possible to access virtual CANopen objects Index 1 (sub-index area): 0: 0 ... 255 1: 256 ... 511 2: 512 ... 767 3: 768 ... 1023 Index 2 (parameter area): 0: 1 ... 9999 1: 10000 ... 19999 2: 20000 ... 29999 3: 30000 ... 39999		
Index:	[0] = Drive object number [1] = Sub-index range [2] = Parameter range		

p8641		CAN Abort Connection Option Code / Abort con opt code	
G120C CAN	Access level: 3	Calculated: -	Data type: Integer16
	Can be changed: T	Scaling: -	Data set: -
	Units group: -	Unit selection: -	
	Min	Max	Factory setting
	0	3	3
Description:	Sets the drive behavior if a CAN communication error occurs.		
Value:	0: No response 1: OFF1 2: OFF2 3: OFF3		
Dependency:	Refer to: F08700		

r8680[0...36]	CAN Diagnosis Hardware / Diagnostics HW		
G120C CAN	Access level: 3	Calculated: -	Data type: Unsigned16
	Can be changed: -	Scaling: -	Data set: -
	Units group: -	Unit selection: -	
	Min	Max	Factory setting
	-	-	-
Description:	Displays the register of the CAN controller C_CAN: Register, Message Interface Register and Message Handler Register - referred to the CAN protocol.		
Index:	[0] = Control register [1] = Status register [2] = Error counter [3] = Bit timing register [4] = Interrupt register [5] = Test register [6] = Baud rate prescaler extension register [7] = Interface 1 command request register [8] = Interface 1 command mask register		
Note:	A description of the individual registers of the C_CAN controller can be taken from "C_CAN User's Manual".		

p8684	CAN NMT state after booting / NMT state aft boot		
G120C CAN	Access level: 3	Calculated: -	Data type: Integer16
	Can be changed: T	Scaling: -	Data set: -
	Units group: -	Unit selection: -	
	Min	Max	Factory setting
	4	127	127
Description:	Sets the CANopen NMT state that is effective after booting.		
Value:	4: Stopped 5: Operational 127: Pre-operational		
Dependency:	Refer to: p8685		
Note:	Booting in the NMT state pre-operational corresponds to the CANopen standard		

p8685	CAN NMT states / NMT states		
G120C CAN	Access level: 3	Calculated: -	Data type: Integer16
	Can be changed: U, T	Scaling: -	Data set: -
	Units group: -	Unit selection: -	
	Min	Max	Factory setting
	0	129	127
Description:	Sets and displays the CANopen NMT state.		
Value:	0: Initializing 4: Stopped 5: Operational 127: Pre-operational 128: Reset node 129: Reset Communication		
Note:	The value 0 (initialization) is only displayed and cannot be set.		

p8699	CAN: RPDO monitoring time / RPDO t_monit		
G120C CAN	Access level: 3	Calculated: -	Data type: FloatingPoint32
	Can be changed: U, T	Scaling: -	Data set: -
	Units group: -	Unit selection: -	
	Min 0 [ms]	Max 65535000 [ms]	Factory setting 0 [ms]
Description:	Sets the monitoring time to monitor the process data received via the CAN bus. A value that is not a multiple integer of the CANopen sampling time is rounded-off. If no process data is received within this time, fault F08702 is output.		
Dependency:	Refer to: F08702		
Note:	0: The monitoring is de-activated.		

p8700[0...1]	CAN Receive PDO 1 / Receive PDO 1		
G120C CAN	Access level: 3	Calculated: -	Data type: Unsigned32
	Can be changed: C(3), T	Scaling: -	Data set: -
	Units group: -	Unit selection: -	
	Min 0000 hex	Max 8000 06DF hex	Factory setting [0] 8000 06DF hex [1] 00FE hex
Description:	Sets the communication parameters for CANopen Receive Process Data Object 1 (RPDO 1).		
Index:	[0] = PDO COB-ID [1] = PDO transmission type		
Dependency:	A valid COB-ID can only be set for the available (existing) channel. Refer to: p8741		
Note:	Corresponds to the CANopen object 1400 hex + 40 hex * x (x: Drive number 0 ... 7). Transmission types 0, 1, FE and FF can be set. PDO: Process Data Object		

p8701[0...1]	CAN Receive PDO 2 / Receive PDO 2		
G120C CAN	Access level: 3	Calculated: -	Data type: Unsigned32
	Can be changed: C(3), T	Scaling: -	Data set: -
	Units group: -	Unit selection: -	
	Min 0000 hex	Max 8000 06DF hex	Factory setting [0] 8000 06DF hex [1] 00FE hex
Description:	Sets the communication parameters for CANopen Receive Process Data Object 2 (RPDO 2).		
Index:	[0] = PDO COB-ID [1] = PDO transmission type		
Dependency:	A valid COB-ID can only be set for the available (existing) channel. Refer to: p8741		
Note:	Corresponds to the CANopen object 1401 hex + 40 hex * x (x: Drive number 0 ... 7). Transmission types 0, 1, FE and FF can be set. PDO: Process Data Object		

p8702[0...1]	CAN Receive PDO 3 / Receive PDO 3		
G120C CAN	Access level: 3	Calculated: -	Data type: Unsigned32
	Can be changed: C(3), T	Scaling: -	Data set: -
	Units group: -	Unit selection: -	
	Min 0000 hex	Max 8000 06DF hex	Factory setting [0] 8000 06DF hex [1] 00FE hex
Description:	Sets the communication parameters for CANopen Receive Process Data Object 3 (RPDO 3).		
Index:	[0] = PDO COB-ID [1] = PDO transmission type		
Dependency:	A valid COB-ID can only be set for the available (existing) channel. Refer to: p8741		
Note:	Corresponds to the CANopen object 1402 hex + 40 hex * x (x: Drive number 0 ... 7). Transmission types 0, 1, FE and FF can be set. PDO: Process Data Object		

p8703[0...1]	CAN Receive PDO 4 / Receive PDO 4		
G120C CAN	Access level: 3	Calculated: -	Data type: Unsigned32
	Can be changed: C(3), T	Scaling: -	Data set: -
	Units group: -	Unit selection: -	
	Min 0000 hex	Max 8000 06DF hex	Factory setting [0] 8000 06DF hex [1] 00FE hex
Description:	Sets the communication parameters for CANopen Receive Process Data Object 4 (RPDO 4).		
Index:	[0] = PDO COB-ID [1] = PDO transmission type		
Dependency:	A valid COB-ID can only be set for the available (existing) channel. Refer to: p8741		
Note:	Corresponds to the CANopen object 1403 hex + 40 hex * x (x: Drive number 0 ... 7). Transmission types 0, 1, FE and FF can be set. PDO: Process Data Object		

p8704[0...1]	CAN Receive PDO 5 / Receive PDO 5		
G120C CAN	Access level: 3	Calculated: -	Data type: Unsigned32
	Can be changed: C(3), T	Scaling: -	Data set: -
	Units group: -	Unit selection: -	
	Min 0000 hex	Max 8000 06DF hex	Factory setting [0] 8000 06DF hex [1] 00FE hex
Description:	Sets the communication parameters for CANopen Receive Process Data Object 5 (RPDO 5).		
Index:	[0] = PDO COB-ID [1] = PDO transmission type		
Dependency:	A valid COB-ID can only be set for the available (existing) channel. Refer to: p8741		
Note:	Corresponds to the CANopen object 1404 hex + 40 hex * x (x: Drive number 0 ... 7). Transmission types 0, 1, FE and FF can be set. PDO: Process Data Object		

p8705[0...1]	CAN Receive PDO 6 / Receive PDO 6		
G120C CAN	Access level: 3	Calculated: -	Data type: Unsigned32
	Can be changed: C(3), T	Scaling: -	Data set: -
	Units group: -	Unit selection: -	
	Min 0000 hex	Max 8000 06DF hex	Factory setting [0] 8000 06DF hex [1] 00FE hex
Description:	Sets the communication parameters for CANopen Receive Process Data Object 6 (RPDO 6).		
Index:	[0] = PDO COB-ID [1] = PDO transmission type		
Dependency:	A valid COB-ID can only be set for the available (existing) channel. Refer to: p8741		
Note:	Corresponds to the CANopen object 1405 hex + 40 hex * x (x: Drive number 0 ... 7). Transmission types 0, 1, FE and FF can be set. PDO: Process Data Object		
p8706[0...1]	CAN Receive PDO 7 / Receive PDO 7		
G120C CAN	Access level: 3	Calculated: -	Data type: Unsigned32
	Can be changed: C(3), T	Scaling: -	Data set: -
	Units group: -	Unit selection: -	
	Min 0000 hex	Max 8000 06DF hex	Factory setting [0] 8000 06DF hex [1] 00FE hex
Description:	Sets the communication parameters for CANopen Receive Process Data Object 7 (RPDO 7).		
Index:	[0] = PDO COB-ID [1] = PDO transmission type		
Dependency:	A valid COB-ID can only be set for the available (existing) channel. Refer to: p8741		
Note:	Corresponds to the CANopen object 1406 hex + 40 hex * x (x: Drive number 0 ... 7). Transmission types 0, 1, FE and FF can be set. PDO: Process Data Object		
p8707[0...1]	CAN Receive PDO 8 / Receive PDO 8		
G120C CAN	Access level: 3	Calculated: -	Data type: Unsigned32
	Can be changed: C(3), T	Scaling: -	Data set: -
	Units group: -	Unit selection: -	
	Min 0000 hex	Max 8000 06DF hex	Factory setting [0] 8000 06DF hex [1] 00FE hex
Description:	Sets the communication parameters for CANopen Receive Process Data Object 8 (RPDO 8).		
Index:	[0] = PDO COB-ID [1] = PDO transmission type		
Dependency:	A valid COB-ID can only be set for the available (existing) channel. Refer to: p8741		
Note:	Corresponds to the CANopen object 1407 hex + 40 hex * x (x: Drive number 0 ... 7). Transmission types 0, 1, FE and FF can be set. PDO: Process Data Object		

p8710[0...3]	CAN Receive Mapping for RPDO 1 / Mapping RPDO 1		
G120C CAN	Access level: 3	Calculated: -	Data type: Unsigned32
	Can be changed: C(3), T	Scaling: -	Data set: -
	Units group: -	Unit selection: -	
	Min 0000 hex	Max FFFF FFFF hex	Factory setting 0000 hex
Description:	Sets the mapping parameters for CANopen Receive Process Data Object 1 (RPDO 1).		
Index:	[0] = Mapped object 1 [1] = Mapped object 2 [2] = Mapped object 3 [3] = Mapped object 4		
Note:	Corresponds to the CANopen object 1600 hex + 40 hex * x (x: Drive number 0 ... 7). Dummy mapping not supported. The parameter can only be written online when the associated COB ID in p870x is set as invalid.		

p8711[0...3]	CAN Receive Mapping for RPDO 2 / Mapping RPDO 2		
G120C CAN	Access level: 3	Calculated: -	Data type: Unsigned32
	Can be changed: C(3), T	Scaling: -	Data set: -
	Units group: -	Unit selection: -	
	Min 0000 hex	Max FFFF FFFF hex	Factory setting 0000 hex
Description:	Sets the mapping parameters for CANopen Receive Process Data Object 2 (RPDO 2).		
Index:	[0] = Mapped object 1 [1] = Mapped object 2 [2] = Mapped object 3 [3] = Mapped object 4		
Note:	Corresponds to the CANopen object 1601 hex + 40 hex * x (x: Drive number 0 ... 7). Dummy mapping not supported. The parameter can only be written online when the associated COB ID in p870x is set as invalid.		

p8712[0...3]	CAN Receive Mapping for RPDO 3 / Mapping RPDO 3		
G120C CAN	Access level: 3	Calculated: -	Data type: Unsigned32
	Can be changed: C(3), T	Scaling: -	Data set: -
	Units group: -	Unit selection: -	
	Min 0000 hex	Max FFFF FFFF hex	Factory setting 0000 hex
Description:	Sets the mapping parameters for CANopen Receive Process Data Object 3 (RPDO 3).		
Index:	[0] = Mapped object 1 [1] = Mapped object 2 [2] = Mapped object 3 [3] = Mapped object 4		
Note:	Corresponds to the CANopen object 1602 hex + 40 hex * x (x: Drive number 0 ... 7). Dummy mapping not supported. The parameter can only be written online when the associated COB ID in p870x is set as invalid.		

p8713[0...3]	CAN Receive Mapping for RPDO 4 / Mapping RPDO 4		
G120C CAN	Access level: 3	Calculated: -	Data type: Unsigned32
	Can be changed: C(3), T	Scaling: -	Data set: -
	Units group: -	Unit selection: -	
	Min 0000 hex	Max FFFF FFFF hex	Factory setting 0000 hex
Description:	Sets the mapping parameters for CANopen Receive Process Data Object 4 (RPDO 4).		
Index:	[0] = Mapped object 1 [1] = Mapped object 2 [2] = Mapped object 3 [3] = Mapped object 4		
Note:	Corresponds to the CANopen object 1603 hex + 40 hex * x (x: Drive number 0 ... 7). Dummy mapping not supported. The parameter can only be written online when the associated COB ID in p870x is set as invalid.		

p8714[0...3]	CAN Receive Mapping for RPDO 5 / Mapping RPDO 5		
G120C CAN	Access level: 3	Calculated: -	Data type: Unsigned32
	Can be changed: C(3), T	Scaling: -	Data set: -
	Units group: -	Unit selection: -	
	Min 0000 hex	Max FFFF FFFF hex	Factory setting 0000 hex
Description:	Sets the mapping parameters for CANopen Receive Process Data Object 5 (RPDO 5).		
Index:	[0] = Mapped object 1 [1] = Mapped object 2 [2] = Mapped object 3 [3] = Mapped object 4		
Note:	Corresponds to the CANopen object 1604 hex + 40 hex * x (x: Drive number 0 ... 7). Dummy mapping not supported. The parameter can only be written online when the associated COB ID in p870x is set as invalid.		

p8715[0...3]	CAN Receive Mapping for RPDO 6 / Mapping RPDO 6		
G120C CAN	Access level: 3	Calculated: -	Data type: Unsigned32
	Can be changed: C(3), T	Scaling: -	Data set: -
	Units group: -	Unit selection: -	
	Min 0000 hex	Max FFFF FFFF hex	Factory setting 0000 hex
Description:	Sets the mapping parameters for CANopen Receive Process Data Object 6 (RPDO 6).		
Index:	[0] = Mapped object 1 [1] = Mapped object 2 [2] = Mapped object 3 [3] = Mapped object 4		
Note:	Corresponds to the CANopen object 1605 hex + 40 hex * x (x: Drive number 0 ... 7). Dummy mapping not supported. The parameter can only be written online when the associated COB ID in p870x is set as invalid.		

p8716[0...3]	CAN Receive Mapping for RPDO 7 / Mapping RPDO 7		
G120C CAN	Access level: 3	Calculated: -	Data type: Unsigned32
	Can be changed: C(3), T	Scaling: -	Data set: -
	Units group: -	Unit selection: -	
	Min 0000 hex	Max FFFF FFFF hex	Factory setting 0000 hex
Description:	Sets the mapping parameters for CANopen Receive Process Data Object 7 (RPDO 7).		
Index:	[0] = Mapped object 1 [1] = Mapped object 2 [2] = Mapped object 3 [3] = Mapped object 4		
Note:	Corresponds to the CANopen object 1606 hex + 40 hex * x (x: Drive number 0 ... 7). Dummy mapping not supported. The parameter can only be written online when the associated COB ID in p870x is set as invalid.		

p8717[0...3]	CAN Receive Mapping for RPDO 8 / Mapping RPDO 8		
G120C CAN	Access level: 3	Calculated: -	Data type: Unsigned32
	Can be changed: C(3), T	Scaling: -	Data set: -
	Units group: -	Unit selection: -	
	Min 0000 hex	Max FFFF FFFF hex	Factory setting 0000 hex
Description:	Sets the mapping parameters for CANopen Receive Process Data Object 8 (RPDO 8).		
Index:	[0] = Mapped object 1 [1] = Mapped object 2 [2] = Mapped object 3 [3] = Mapped object 4		
Note:	Corresponds to the CANopen object 1607 hex + 40 hex * x (x: Drive number 0 ... 7). Dummy mapping not supported. The parameter can only be written online when the associated COB ID in p870x is set as invalid.		

p8720[0...4]	CAN Transmit PDO 1 / Transmit PDO 1		
G120C CAN	Access level: 3	Calculated: -	Data type: Unsigned32
	Can be changed: C(3), T	Scaling: -	Data set: -
	Units group: -	Unit selection: -	
	Min 0000 hex	Max C000 06DF hex	Factory setting [0] C000 06DF hex [1] 00FE hex [2] 0000 hex [3] 0000 hex [4] 0000 hex
Description:	Sets the communication parameters for CANopen Transmit Process Data Object 1 (TPDO 1).		
Index:	[0] = PDO COB-ID [1] = PDO transmission type [2] = Inhibit time (in 100 µs) [3] = Reserved [4] = Event timer (in ms)		
Dependency:	A valid COB-ID can only be set for the available (existing) channel. Refer to: p8741		
Notice:	For inhibit time and even timer, the following apply: A value that is not a multiple integer of CANopen (4 ms) is rounded-off.		
Note:	Corresponds to the CANopen object 1800 hex + 40 hex * x (x: Drive number 0 ... 7). Transmission types 0, 1 ... F0, FE and FF can be set. PDO: Process Data Object		

p8721[0...4] CAN Transmit PDO 2 / Transmit PDO 2			
G120C CAN	Access level: 3	Calculated: -	Data type: Unsigned32
	Can be changed: C(3), T	Scaling: -	Data set: -
	Units group: -	Unit selection: -	
	Min 0000 hex	Max C000 06DF hex	Factory setting [0] C000 06DF hex [1] 00FE hex [2] 0000 hex [3] 0000 hex [4] 0000 hex
Description:	Sets the communication parameters for CANopen Transmit Process Data Object 2 (TPDO 2).		
Index:	[0] = PDO COB-ID [1] = PDO transmission type [2] = Inhibit time (in 100 µs) [3] = Reserved [4] = Event timer (in ms)		
Dependency:	A valid COB-ID can only be set for the available (existing) channel. Refer to: p8741		
Notice:	For inhibit time and even timer, the following apply: A value that is not a multiple integer of CANopen (4 ms) is rounded-off.		
Note:	Corresponds to the CANopen object 1801 hex + 40 hex * x (x: Drive number 0 ... 7). Transmission types 0, 1 ... F0, FE and FF can be set. PDO: Process Data Object		

p8722[0...4] CAN Transmit PDO 3 / Transmit PDO 3			
G120C CAN	Access level: 3	Calculated: -	Data type: Unsigned32
	Can be changed: C(3), T	Scaling: -	Data set: -
	Units group: -	Unit selection: -	
	Min 0000 hex	Max C000 06DF hex	Factory setting [0] C000 06DF hex [1] 00FE hex [2] 0000 hex [3] 0000 hex [4] 0000 hex
Description:	Sets the communication parameters for CANopen Transmit Process Data Object 3 (TPDO 3).		
Index:	[0] = PDO COB-ID [1] = PDO transmission type [2] = Inhibit time (in 100 µs) [3] = Reserved [4] = Event timer (in ms)		
Dependency:	A valid COB-ID can only be set for the available (existing) channel. Refer to: p8741		
Notice:	For inhibit time and even timer, the following apply: A value that is not a multiple integer of CANopen (4 ms) is rounded-off.		
Note:	Corresponds to the CANopen object 1802 hex + 40 hex * x (x: Drive number 0 ... 7). Transmission types 0, 1 ... F0, FE and FF can be set. PDO: Process Data Object		

p8723[0...4]	CAN Transmit PDO 4 / Transmit PDO 4		
G120C CAN	Access level: 3	Calculated: -	Data type: Unsigned32
	Can be changed: C(3), T	Scaling: -	Data set: -
	Units group: -	Unit selection: -	
	Min 0000 hex	Max C000 06DF hex	Factory setting [0] C000 06DF hex [1] 00FE hex [2] 0000 hex [3] 0000 hex [4] 0000 hex
Description:	Sets the communication parameters for CANopen Transmit Process Data Object 4 (TPDO 4).		
Index:	[0] = PDO COB-ID [1] = PDO transmission type [2] = Inhibit time (in 100 µs) [3] = Reserved [4] = Event timer (in ms)		
Dependency:	A valid COB-ID can only be set for the available (existing) channel. Refer to: p8741		
Notice:	For inhibit time and even timer, the following apply: A value that is not a multiple integer of CANopen (4 ms) is rounded-off.		
Note:	Corresponds to the CANopen object 1803 hex + 40 hex * x (x: Drive number 0 ... 7). Transmission types 0, 1 ... F0, FE and FF can be set. PDO: Process Data Object		

p8724[0...4]	CAN Transmit PDO 5 / Transmit PDO 5		
G120C CAN	Access level: 3	Calculated: -	Data type: Unsigned32
	Can be changed: C(3), T	Scaling: -	Data set: -
	Units group: -	Unit selection: -	
	Min 0000 hex	Max C000 06DF hex	Factory setting [0] C000 06DF hex [1] 00FE hex [2] 0000 hex [3] 0000 hex [4] 0000 hex
Description:	Sets the communication parameters for CANopen Transmit Process Data Object 5 (TPDO 5).		
Index:	[0] = PDO COB-ID [1] = PDO transmission type [2] = Inhibit time (in 100 µs) [3] = Reserved [4] = Event timer (in ms)		
Dependency:	A valid COB-ID can only be set for the available (existing) channel. Refer to: p8741		
Notice:	For inhibit time and even timer, the following apply: A value that is not a multiple integer of CANopen (4 ms) is rounded-off.		
Note:	Corresponds to the CANopen object 1804 hex + 40 hex * x (x: Drive number 0 ... 7). Transmission types 0, 1 ... F0, FE and FF can be set. PDO: Process Data Object		

p8725[0...4]		CAN Transmit PDO 6 / Transmit PDO 6	
G120C CAN	Access level: 3	Calculated: -	Data type: Unsigned32
	Can be changed: C(3), T	Scaling: -	Data set: -
	Units group: -	Unit selection: -	
	Min 0000 hex	Max C000 06DF hex	Factory setting [0] C000 06DF hex [1] 00FE hex [2] 0000 hex [3] 0000 hex [4] 0000 hex
Description:	Sets the communication parameters for CANopen Transmit Process Data Object 6 (TPDO 6).		
Index:	[0] = PDO COB-ID [1] = PDO transmission type [2] = Inhibit time (in 100 µs) [3] = Reserved [4] = Event timer (in ms)		
Dependency:	A valid COB-ID can only be set for the available (existing) channel. Refer to: p8741		
Notice:	For inhibit time and even timer, the following apply: A value that is not a multiple integer of CANopen (4 ms) is rounded-off.		
Note:	Corresponds to the CANopen object 1805 hex + 40 hex * x (x: Drive number 0 ... 7). Transmission types 0, 1 ... F0, FE and FF can be set. PDO: Process Data Object		

p8726[0...4]		CAN Transmit PDO 7 / Transmit PDO 7	
G120C CAN	Access level: 3	Calculated: -	Data type: Unsigned32
	Can be changed: C(3), T	Scaling: -	Data set: -
	Units group: -	Unit selection: -	
	Min 0000 hex	Max C000 06DF hex	Factory setting [0] C000 06DF hex [1] 00FE hex [2] 0000 hex [3] 0000 hex [4] 0000 hex
Description:	Sets the communication parameters for CANopen Transmit Process Data Object 7 (TPDO 7).		
Index:	[0] = PDO COB-ID [1] = PDO transmission type [2] = Inhibit time (in 100 µs) [3] = Reserved [4] = Event timer (in ms)		
Dependency:	A valid COB-ID can only be set for the available (existing) channel. Refer to: p8741		
Notice:	For inhibit time and even timer, the following apply: A value that is not a multiple integer of CANopen (4 ms) is rounded-off.		
Note:	Corresponds to the CANopen object 1806 hex + 40 hex * x (x: Drive number 0 ... 7). Transmission types 0, 1 ... F0, FE and FF can be set. PDO: Process Data Object		

p8727[0...4]	CAN Transmit PDO 8 / Transmit PDO 8		
G120C CAN	Access level: 3	Calculated: -	Data type: Unsigned32
	Can be changed: C(3), T	Scaling: -	Data set: -
	Units group: -	Unit selection: -	
	Min 0000 hex	Max C000 06DF hex	Factory setting [0] C000 06DF hex [1] 00FE hex [2] 0000 hex [3] 0000 hex [4] 0000 hex
Description:	Sets the communication parameters for CANopen Transmit Process Data Object 8 (TPDO 8).		
Index:	[0] = PDO COB-ID [1] = PDO transmission type [2] = Inhibit time (in 100 µs) [3] = Reserved [4] = Event timer (in ms)		
Dependency:	A valid COB-ID can only be set for the available (existing) channel. Refer to: p8741		
Notice:	For inhibit time and even timer, the following apply: A value that is not a multiple integer of CANopen (4 ms) is rounded-off.		
Note:	Corresponds to the CANopen object 1807 hex + 40 hex * x (x: Drive number 0 ... 7). Transmission types 0, 1 ... F0, FE and FF can be set. PDO: Process Data Object		

p8730[0...3]	CAN Transmit Mapping for TPDO 1 / Mapping TPDO 1		
G120C CAN	Access level: 3	Calculated: -	Data type: Unsigned32
	Can be changed: C(3), T	Scaling: -	Data set: -
	Units group: -	Unit selection: -	
	Min 0000 hex	Max FFFF FFFF hex	Factory setting 0000 hex
Description:	Sets the mapping parameters for CANopen Transmit Process Data Object 1 (TPDO 1).		
Index:	[0] = Mapped object 1 [1] = Mapped object 2 [2] = Mapped object 3 [3] = Mapped object 4		
Note:	Corresponds to the CANopen object 1A00 hex + 40 hex * x (x: Drive number 0 ... 7). The parameter can only be written online when the associated COB ID in p872x is set as invalid.		

p8731[0...3]	CAN Transmit Mapping for TPDO 2 / Mapping TPDO 2		
G120C CAN	Access level: 3	Calculated: -	Data type: Unsigned32
	Can be changed: C(3), T	Scaling: -	Data set: -
	Units group: -	Unit selection: -	
	Min 0000 hex	Max FFFF FFFF hex	Factory setting 0000 hex
Description:	Sets the mapping parameters for CANopen Transmit Process Data Object 2 (TPDO 2).		
Index:	[0] = Mapped object 1 [1] = Mapped object 2 [2] = Mapped object 3 [3] = Mapped object 4		
Note:	Corresponds to the CANopen object 1A01 hex + 40 hex * x (x: Drive number 0 ... 7). The parameter can only be written online when the associated COB ID in p872x is set as invalid.		

p8732[0...3] CAN Transmit Mapping for TPDO 3 / Mapping TPDO 3			
G120C CAN	Access level: 3	Calculated: -	Data type: Unsigned32
	Can be changed: C(3), T	Scaling: -	Data set: -
	Units group: -	Unit selection: -	
	Min 0000 hex	Max FFFF FFFF hex	Factory setting 0000 hex
Description:	Sets the mapping parameters for CANopen Transmit Process Data Object 3 (TPDO 3).		
Index:	[0] = Mapped object 1 [1] = Mapped object 2 [2] = Mapped object 3 [3] = Mapped object 4		
Note:	Corresponds to the CANopen object 1A02 hex + 40 hex * x (x: Drive number 0 ... 7). The parameter can only be written online when the associated COB ID in p872x is set as invalid.		
p8733[0...3] CAN Transmit Mapping for TPDO 4 / Mapping TPDO 4			
G120C CAN	Access level: 3	Calculated: -	Data type: Unsigned32
	Can be changed: C(3), T	Scaling: -	Data set: -
	Units group: -	Unit selection: -	
	Min 0000 hex	Max FFFF FFFF hex	Factory setting 0000 hex
Description:	Sets the mapping parameters for CANopen Transmit Process Data Object 4 (TPDO 4).		
Index:	[0] = Mapped object 1 [1] = Mapped object 2 [2] = Mapped object 3 [3] = Mapped object 4		
Note:	Corresponds to the CANopen object 1A03 hex + 40 hex * x (x: Drive number 0 ... 7). The parameter can only be written online when the associated COB ID in p872x is set as invalid.		
p8734[0...3] CAN Transmit Mapping for TPDO 5 / Mapping TPDO 5			
G120C CAN	Access level: 3	Calculated: -	Data type: Unsigned32
	Can be changed: C(3), T	Scaling: -	Data set: -
	Units group: -	Unit selection: -	
	Min 0000 hex	Max FFFF FFFF hex	Factory setting 0000 hex
Description:	Sets the mapping parameters for CANopen Transmit Process Data Object 5 (TPDO 5).		
Index:	[0] = Mapped object 1 [1] = Mapped object 2 [2] = Mapped object 3 [3] = Mapped object 4		
Note:	Corresponds to the CANopen object 1A04 hex + 40 hex * x (x: Drive number 0 ... 7). The parameter can only be written online when the associated COB ID in p872x is set as invalid.		
p8735[0...3] CAN Transmit Mapping for TPDO 6 / Mapping TPDO 6			
G120C CAN	Access level: 3	Calculated: -	Data type: Unsigned32
	Can be changed: C(3), T	Scaling: -	Data set: -
	Units group: -	Unit selection: -	
	Min 0000 hex	Max FFFF FFFF hex	Factory setting 0000 hex
Description:	Sets the mapping parameters for CANopen Transmit Process Data Object 6 (TPDO 6).		
Index:	[0] = Mapped object 1 [1] = Mapped object 2 [2] = Mapped object 3 [3] = Mapped object 4		
Note:	Corresponds to the CANopen object 1A05 hex + 40 hex * x (x: Drive number 0 ... 7). The parameter can only be written online when the associated COB ID in p872x is set as invalid.		

p8736[0...3]	CAN Transmit Mapping for TPDO 7 / Mapping TPDO 7		
G120C CAN	Access level: 3	Calculated: -	Data type: Unsigned32
	Can be changed: C(3), T	Scaling: -	Data set: -
	Units group: -	Unit selection: -	
	Min 0000 hex	Max FFFF FFFF hex	Factory setting 0000 hex
Description:	Sets the mapping parameters for CANopen Transmit Process Data Object 7 (TPDO 7).		
Index:	[0] = Mapped object 1 [1] = Mapped object 2 [2] = Mapped object 3 [3] = Mapped object 4		
Note:	Corresponds to the CANopen object 1A06 hex + 40 hex * x (x: Drive number 0 ... 7). The parameter can only be written online when the associated COB ID in p872x is set as invalid.		

p8737[0...3]	CAN Transmit Mapping for TPDO 8 / Mapping TPDO 8		
G120C CAN	Access level: 3	Calculated: -	Data type: Unsigned32
	Can be changed: C(3), T	Scaling: -	Data set: -
	Units group: -	Unit selection: -	
	Min 0000 hex	Max FFFF FFFF hex	Factory setting 0000 hex
Description:	Sets the mapping parameters for CANopen Transmit Process Data Object 8 (TPDO 8).		
Index:	[0] = Mapped object 1 [1] = Mapped object 2 [2] = Mapped object 3 [3] = Mapped object 4		
Note:	Corresponds to the CANopen object 1A07 hex + 40 hex * x (x: Drive number 0 ... 7). The parameter can only be written online when the associated COB ID in p872x is set as invalid.		

p8741	CAN PDO configuration acknowledgement / PDO config ackn		
G120C CAN	Access level: 3	Calculated: -	Data type: Integer16
	Can be changed: T	Scaling: -	Data set: -
	Units group: -	Unit selection: -	
	Min 0	Max 1	Factory setting 0
Description:	Acknowledges the setting of the Predefined Connection Sets (p8744).		
Value:	0: Inactive 1: Acknowledge configuration		
Dependency:	Refer to: p8744		

p8744	CAN PDO mapping configuration / PDO Mapping conf.		
G120C CAN	Access level: 2	Calculated: -	Data type: Integer16
	Can be changed: C, T	Scaling: -	Data set: -
	Units group: -	Unit selection: -	
	Min 1	Max 2	Factory setting 2
Description:	Selector switch for the PDO mapping. Sets the mapping for download or in the online mode after acknowledging with p8741.		
Value:	1: Predefined Connection Set 2: Free PDO Mapping		

r8750[0...15] CAN mapped 16-bit receive objects / RPDO 16 mapped			
G120C CAN	Access level: 3	Calculated: -	Data type: Unsigned16
	Can be changed: -	Scaling: -	Data set: -
	Units group: -	Unit selection: -	
	Min	Max	Factory setting
	-	-	-
Description:	Displays the mapped 16-bit receive CANopen objects in the process data buffer. Example: If, e.g. the control word is mapped in an RPDO, then r8750 indicates the position of the control word in the process data buffer.		
Index:	[0] = PZD 1 [1] = PZD 2 [2] = PZD 3 [3] = PZD 4 [4] = PZD 5 [5] = PZD 6 [6] = PZD 7 [7] = PZD 8 [8] = PZD 9 [9] = PZD 10 [10] = PZD 11 [11] = PZD 12 [12] = PZD 13 [13] = PZD 14 [14] = PZD 15 [15] = PZD 16		

r8751[0...15] CAN mapped 16-bit transmit objects / TPDO 16 mapped			
G120C CAN	Access level: 3	Calculated: -	Data type: Unsigned16
	Can be changed: -	Scaling: -	Data set: -
	Units group: -	Unit selection: -	
	Min	Max	Factory setting
	-	-	-
Description:	Displays mapped 16-bit transmit CANopen objects in the process data buffer.		
Index:	[0] = PZD 1 [1] = PZD 2 [2] = PZD 3 [3] = PZD 4 [4] = PZD 5 [5] = PZD 6 [6] = PZD 7 [7] = PZD 8 [8] = PZD 9 [9] = PZD 10 [10] = PZD 11 [11] = PZD 12 [12] = PZD 13 [13] = PZD 14 [14] = PZD 15 [15] = PZD 16		
Dependency:	Refer to: r8750		

r8784		CO: CAN status word / Status word			
G120C CAN	Access level: 3	Calculated: -	Data type: Unsigned16		
	Can be changed: -	Scaling: -	Data set: -		
	Units group: -	Unit selection: -			
	Min	Max	Factory setting		
	-	-	-		
Description:	Displays the CANopen status word.				
Bit field:	Bit	Signal name	1 signal	0 signal	FP
	00	Rdy for switch on	Yes	No	-
	01	Ready	Yes	No	-
	02	Operation enabled	Yes	No	-
	03	Fault present	Yes	No	-
	04	No coasting active	Yes	No	-
	05	No Quick Stop active	Yes	No	-
	06	Switching on inhibited active	Yes	No	-
	07	Alarm present	Yes	No	-
	08	Can be freely interconnected (BI: p8785)	High	Low	-
	09	Control request	Yes	No	-
	10	Target reached	Yes	No	-
	11	Torque limit reached	Yes	No	-
	12	Velocity equal to zero	Yes	No	-
	14	Can be freely interconnected (BI: p8786)	High	Low	-
	15	Can be freely interconnected (BI: p8787)	High	Low	-
Note:	Corresponds to the CANopen object 6041 hex + 800 hex * x (x: Drive number 0 ... 7).				

p8785		BI: CAN status word bit 8 / Status word bit 8		
G120C CAN	Access level: 3	Calculated: -	Data type: U32 / Binary	
	Can be changed: T	Scaling: -	Data set: -	
	Units group: -	Unit selection: -		
	Min	Max	Factory setting	
	-	-	0	
Description:	Binector input for CANopen status word bit 8.			
Dependency:	Refer to: r8784			

p8786		BI: CAN status word bit 14 / Status word bit 14		
G120C CAN	Access level: 3	Calculated: -	Data type: U32 / Binary	
	Can be changed: T	Scaling: -	Data set: -	
	Units group: -	Unit selection: -		
	Min	Max	Factory setting	
	-	-	0	
Description:	Binector input for CANopen status word bit 14.			
Dependency:	Refer to: r8784			

p8787		BI: CAN status word bit 15 / Status word bit 15		
G120C CAN	Access level: 3	Calculated: -	Data type: U32 / Binary	
	Can be changed: T	Scaling: -	Data set: -	
	Units group: -	Unit selection: -		
	Min	Max	Factory setting	
	-	-	0	
Description:	Binector input for CANopen status word bit 15.			
Dependency:	Refer to: r8784			

p8790		CAN control word - auto interconnection / STW interc auto			
G120C CAN	Access level: 3	Calculated: -	Data type: Integer16		
	Can be changed: C(3), T	Scaling: -	Data set: -		
	Units group: -	Unit selection: -			
	Min	Max	Factory setting		
	0	1	0		
Description:	Sets the automatic BICO interconnection of the CANopen control word.				
Value:	0: No interconn 1: Interconnection				
Dependency:	Refer to: r2050, r2090, r2091, r2092, r2093, r8750, r8795				
Note:	The following BICO interconnections are automatically established if the CANopen control word is mapped at one of the locations x = 0 ... 3 in the receive process data buffer. Bl: p0840.0 = r209x.0 Bl: p0844.0 = r209x.1 Bl: p0848.0 = r209x.2 Bl: p0852.0 = r209x.3 Bl: p2103.0 = r209x.7 The write access is rejected if a CANopen control word is not mapped at one of these locations. This also causes the project download of the commissioning software to be canceled.				
r8795		CAN control word / Control word			
G120C CAN	Access level: 3	Calculated: -	Data type: Unsigned16		
	Can be changed: -	Scaling: -	Data set: -		
	Units group: -	Unit selection: -			
	Min	Max	Factory setting		
	-	-	-		
Description:	Access to the CANopen control word using SDO transfer.				
Bit field:	Bit	Signal name	1 signal	0 signal	FP
	00	ON/OFF1	Yes	No	-
	01	Do not activate coast down	Yes	No	-
	02	Do not activate a Quick Stop	Yes	No	-
	03	Operation enable	Yes	No	-
	07	Acknowledge fault	Yes	No	-
	11	Freely interconn	High	Low	-
	12	Freely interconn	High	Low	-
	13	Freely interconn	High	Low	-
	14	Freely interconn	High	Low	-
	15	Freely interconn	High	Low	-
Dependency:	Refer to: p8790				
Note:	Corresponds to the CANopen object 6040 hex + 800 hex * x (x: Drive number 0 ... 7).				
r8797		CAN Target Torque / Target torque			
G120C CAN	Access level: 3	Calculated: -	Data type: Integer16		
	Can be changed: -	Scaling: -	Data set: -		
	Units group: -	Unit selection: -			
	Min	Max	Factory setting		
	-	-	-		
Description:	Access to the CANopen object target torque using SDO transfer. The value is displayed as per mille (1/1000) as standard.				
Note:	Corresponds to the CANopen object 6071 hex + 800 hex * x (x: Drive number 0 ... 7). The displayed value is calculated as follows: $r8797 \text{ [per mille]} = M_set \text{ [Nm]} / p0333 \text{ [Nm]} * 1000$				

p8991	USB memory access / USB memory		
	Access level: 3	Calculated: -	Data type: Integer16
	Can be changed: T	Scaling: -	Data set: -
	Units group: -	Unit selection: -	
	Min	Max	Factory setting
	1	2	1
Description:	Selects the storage medium for access via the USB mass storage.		
Value:	1: Memory card 2: Flash r/w internal		
Note:	A change only becomes effective after a POWER ON. The parameter is not influenced by setting the factory setting.		
p8999	USB functionality / USB functionality		
	Access level: 4	Calculated: -	Data type: Integer16
	Can be changed: T	Scaling: -	Data set: -
	Units group: -	Unit selection: -	
	Min	Max	Factory setting
	1	3	3
Description:	Selecting the USB functionality.		
Value:	1: USS commissioning via the virtual COM port 2: Only memory access 3: USB commissioning and memory access		
Note:	COMM: Commissioning. A change only becomes effective after a POWER ON. The parameter is not influenced by setting the factory setting.		
p9400	Safely remove memory card / Mem_card rem		
	Access level: 2	Calculated: -	Data type: Integer16
	Can be changed: T	Scaling: -	Data set: -
	Units group: -	Unit selection: -	
	Min	Max	Factory setting
	0	100	0
Description:	Setting and display when memory card is "removed safely". Procedure: Setting p9400 = 2 results in a value of 3 --> The memory card can be removed safely. After removal the value sets itself to 0 automatically. Setting p9400 = 2 results in a value of 100 --> The memory card cannot be removed safely. Removal may destroy the file system on the memory card. It may be necessary to set p9400 = 2 again.		
Value:	0: No memory card inserted 1: Memory card inserted 2: Request "safe removal" of the memory card 3: "Safe removal" possible 100: "Safe removal" not possible due to access		
Dependency:	Refer to: r9401		
Caution:	Removing the memory card without a request (p9400 = 2) and confirmation (p9400 = 3) may destroy the file system on the memory card. The memory card will then no longer work properly and must be repaired.		
Note:	The status when the memory card is being "removed safely" is shown in r9401. Re value = 0, 1, 3, 100: These values can only be displayed, not set.		

r9401	Safely remove memory card status / Mem_card rem stat			
	Access level: 2	Calculated: -	Data type: Unsigned16	
	Can be changed: -	Scaling: -	Data set: -	
	Units group: -	Unit selection: -		
	Min	Max	Factory setting	
	-	-	-	
Description:	Displays the status of the memory card.			
Bit field:	Bit	Signal name	1 signal	0 signal
	00	Memory card inserted	Yes	No
	01	Memory card activated	Yes	No
Dependency:	Refer to: p9400			
Note:	Re bit 00 and bit 01: Bit 1/0 = 0/0: No memory card inserted (corresponds to p9400 = 0). Bit 1/0 = 0/1: "Safe removal" possible (corresponds to p9400 = 3). Bit 1/0 = 1/0: Status not possible. Bit 1/0 = 1/1: Memory card inserted (corresponds to p9400 = 1, 2, 100).			
r9463	Set valid macro /			
	Access level: 3	Calculated: -	Data type: Unsigned32	
	Can be changed: -	Scaling: -	Data set: -	
	Units group: -	Unit selection: -		
	Min	Max	Factory setting	
	0	999999	-	
Description:	Displays the valid macro. A value of 0 is displayed if a parameter set by a macro is changed.			
p9484	BICO interconnections search signal source / BICO S_src srch			
	Access level: 3	Calculated: -	Data type: Unsigned32	
	Can be changed: U, T	Scaling: -	Data set: -	
	Units group: -	Unit selection: -		
	Min	Max	Factory setting	
	0	4294967295	0	
Description:	Sets the signal source (BO/CO parameter, BICO coded) to search in the signal sinks. The signal source to be searched for is set in p9484 (BICO-coded) and the search result is specified using the number (r9485) and the first index (r9486).			
Dependency:	Refer to: r9485, r9486			
r9485	BICO interconnections signal source search count / BICO S_src srchQty			
	Access level: 3	Calculated: -	Data type: Unsigned16	
	Can be changed: -	Scaling: -	Data set: -	
	Units group: -	Unit selection: -		
	Min	Max	Factory setting	
	-	-	-	
Description:	Displays the number of BICO interconnections to the signal sink being searched for.			
Dependency:	Refer to: p9484, r9486			
Note:	The signal source to be searched is set in p9484 (BICO-coded). The search result is contained in r9482 and r9483 and is specified by the count (r9485) and the first index (r9486).			

r9486	BICO interconnections signal source search first index / BICO S_src srchIdx				
	Access level: 3	Calculated: -	Data type: Unsigned16		
	Can be changed: -	Scaling: -	Data set: -		
	Units group: -	Unit selection: -			
	Min	Max	Factory setting		
	-	-	-		
Description:	Displays the first index of the signal source being searched for. The signal source to be searched for is set in p9484 (BICO-coded) and the search result is specified using the number (r9485) and the first index (r9486).				
Dependency:	Refer to: p9484, r9485				
Note:	The signal source to be searched is set in p9484 (BICO-coded). The search result is contained in r9482 and r9483 and is specified by the count (r9485) and the first index (r9486).				
p9601	SI enable, functions integrated in the drive (processor 1) / SI enable fct P1				
G120C CAN	Access level: 3	Calculated: -	Data type: Unsigned32		
G120C USS/MB	Can be changed: C(95)	Scaling: -	Data set: -		
	Units group: -	Unit selection: -			
	Min	Max	Factory setting		
	-	-	0000 bin		
Description:	Sets the enable signals for safety functions on processor 1 that are integrated in the drive. Not all of the settings listed below will be permissible, depending on the Control Unit being used: - p9601 = 0: Safety functions integrated in the drive disabled. - p9601 = 1: STO enabled via terminals. Permissible if r9771.0 = 1. - p9601 = 4: Motion monitoring functions integrated in the drive enabled via an integrated F-DI. Permissible if r9771.5 = 1. - p9601 = 8: STO enabled via PROFIsafe. Permissible if r9771.6 = 1. - p9601 = 9: STO enabled via PROFIsafe and STO via terminals. Permissible if r9771.6 = 1. - p9601 = 12: Motion monitoring functions integrated in the drive enabled via PROFIsafe. Permissible if r9771.4 = 1. - p9601 = 13: Motion monitoring functions integrated in the drive enabled via PROFIsafe and STO via terminals. Permissible if r9771.4 = 1.				
Bit field:	Bit	Signal name	1 signal	0 signal	FP
	00	Enable STO via terminals (processor 1)	Enable	Inhibit	2810
Dependency:	Refer to: r9771, p9801				
Note:	A change only becomes effective after a POWER ON. F-DI: Failsafe Digital Input. STO: Safe Torque Off				

p9601	SI enable, functions integrated in the drive (processor 1) / SI enable fct P1				
G120C DP	Access level: 3	Calculated: -	Data type: Unsigned32		
	Can be changed: C(95)	Scaling: -	Data set: -		
	Units group: -	Unit selection: -			
	Min	Max	Factory setting		
	-	-	0000 bin		
Description:	Sets the enable signals for safety functions on processor 1 that are integrated in the drive. Not all of the settings listed below will be permissible, depending on the Control Unit being used: - p9601 = 0: Safety functions integrated in the drive disabled. - p9601 = 1: STO enabled via terminals. Permissible if r9771.0 = 1. - p9601 = 4: Motion monitoring functions integrated in the drive enabled via an integrated F-DI. Permissible if r9771.5 = 1. - p9601 = 8: STO enabled via PROFIsafe. Permissible if r9771.6 = 1. - p9601 = 9: STO enabled via PROFIsafe and STO via terminals. Permissible if r9771.6 = 1. - p9601 = 12: Motion monitoring functions integrated in the drive enabled via PROFIsafe. Permissible if r9771.4 = 1. - p9601 = 13: Motion monitoring functions integrated in the drive enabled via PROFIsafe and STO via terminals. Permissible if r9771.4 = 1.				
Bit field:	Bit	Signal name	1 signal	0 signal	FP
	00	Enable STO via terminals (processor 1)	Enable	Inhibit	2810
	03	Enable PROFIsafe (processor 1)	Enable	Inhibit	-
Dependency:	Refer to: r9771, p9801				
Note:	A change only becomes effective after a POWER ON. F-DI: Failsafe Digital Input. STO: Safe Torque Off				
p9610	SI PROFIsafe address (processor 1) / SI PROFIsafe P1				
G120C DP	Access level: 3	Calculated: -	Data type: Unsigned16		
	Can be changed: C(95)	Scaling: -	Data set: -		
	Units group: -	Unit selection: -			
	Min	Max	Factory setting		
	0000 hex	FFFE hex	0000 hex		
Description:	Sets the PROFIsafe address for processor 1.				
Dependency:	Refer to: p9810				
p9650	SI F-DI changeover tolerance time (processor 1) / SI F-DI_chg tol P1				
	Access level: 3	Calculated: -	Data type: FloatingPoint32		
	Can be changed: C(95)	Scaling: -	Data set: -		
	Units group: -	Unit selection: -			
	Min	Max	Factory setting		
	0.00 [ms]	2000.00 [ms]	500.00 [ms]		
Description:	Sets the tolerance time for the changeover of the failsafe digital input for STO on processor 1. An F-DI changeover is not effective simultaneously due to the different runtimes in the two monitoring channels. After an F-DI changeover, dynamic data is not subject to a crosswise data comparison during this tolerance time.				
Dependency:	Refer to: p9850				
Note:	For a crosswise data comparison between p9650 and p9850, a difference of one Safety monitoring clock cycle is tolerated. The parameterized time is internally rounded-off to an integer multiple of the monitoring clock cycle. F-DI: Failsafe Digital Input				

p9651	SI STO debounce time (processor 1) / SI STO t_debou P1		
	Access level: 3	Calculated: -	Data type: FloatingPoint32
	Can be changed: C(95)	Scaling: -	Data set: -
	Units group: -	Unit selection: -	
	Min 0.00 [ms]	Max 100.00 [ms]	Factory setting 1.00 [ms]
Description:	Sets the debounce time for the failsafe digital inputs used to control the "STO" function. The debounce time is rounded to whole milliseconds.		
Note:	The debounce time is rounded to whole milliseconds. It specifies the maximum duration of a fault pulse at the fail-safe digital inputs with no reaction/influence on the selection or deselection of the Safety Basic Functions. Example: Debounce time = 1 ms: Fault pulses of 1 ms are filtered; only pulses longer than 2 ms are processed. Debounce time = 3 ms: Fault pulses of 3 ms are filtered; only pulses longer than 4 ms are processed.		
p9659	SI forced checking procedure timer / SI FrcdCkProcTimer		
	Access level: 3	Calculated: -	Data type: FloatingPoint32
	Can be changed: C(95)	Scaling: -	Data set: -
	Units group: -	Unit selection: -	
	Min 0.00 [h]	Max 9000.00 [h]	Factory setting 8.00 [h]
Description:	Sets the time interval for carrying out the forced checking procedure and testing the Safety shutdown paths. Within the parameterized time, STO must have been de-selected at least once. The monitoring time is reset each time that STO is de-selected.		
Dependency:	Refer to: A01699		
Note:	STO: Safe Torque Off		
r9660	SI forced checking procedure remaining time / SI frc chk remain		
	Access level: 3	Calculated: -	Data type: FloatingPoint32
	Can be changed: -	Scaling: -	Data set: -
	Units group: -	Unit selection: -	
	Min - [h]	Max - [h]	Factory setting - [h]
Description:	Displays the time remaining before dynamization and testing of the safety shutdown paths (forced checking procedure).		
Dependency:	Refer to: A01699		

p9700	SI copy function / SI copy function		
	Access level: 3	Calculated: -	Data type: Integer16
	Can be changed: C(95), U, T	Scaling: -	Data set: -
	Units group: -	Unit selection: -	
	Min 0000 hex	Max 00D0 hex	Factory setting 0000 hex
Description:	Setting to start the required copy function. After starting, the corresponding parameters are copied from processor 1 to processor 2. Once copying is complete, the parameter is automatically reset to zero.		
Value:	0: [00 hex] Copy function ended 29: [1D hex] Start copy function node identifier 87: [57 hex] Start copy function SI parameters 208: [D0 hex] Start copy function SI basic parameters		
Dependency:	Refer to: r3996		
Notice:	When the parameters are copied, short-term communication interruptions may occur.		
Note:	Re value = 57 hex and D0 hex: The value can only be set if the safety commissioning mode is set and the Safety Integrated password was entered. Re value = D0 hex: The following parameters are copied after starting the copy function: p9601 --> p9801, p9610 --> 9810, p9650 --> p9850, p9651 --> p9851		
p9701	Acknowledge SI data change / Ackn SI data		
	Access level: 3	Calculated: -	Data type: Integer16
	Can be changed: C(95), U, T	Scaling: -	Data set: -
	Units group: -	Unit selection: -	
	Min 0000 hex	Max 00EC hex	Factory setting 0000 hex
Description:	Setting to transfer the reference checksums from the associated actual checksums after changes (SI parameters, hardware). After transferring the reference checksums, parameters are automatically reset to zero.		
Value:	0: [00 hex] Data unchanged 172: [AC hex] Acknowledge data change complete 220: [DC hex] Acknowledge SI basic parameter change 236: [EC hex] Acknowledge hardware CRC		
Dependency:	Refer to: r9798, p9799, r9898, p9899		
Note:	Re value = AC and DC hex: These values can only be set if the safety commissioning mode is set and the Safety Integrated password was entered.		
p9761	SI password input / SI password inp		
	Access level: 3	Calculated: -	Data type: Unsigned32
	Can be changed: C, T	Scaling: -	Data set: -
	Units group: -	Unit selection: -	
	Min 0000 hex	Max FFFF FFFF hex	Factory setting 0000 hex
Description:	Enters the Safety Integrated password.		
Dependency:	Refer to: F01659		
Note:	It is not possible to change Safety Integrated parameters until the Safety Integrated password has been entered.		

p9762	SI password new / SI password new			
	Access level: 3	Calculated: -	Data type: Unsigned32	
	Can be changed: C(95)	Scaling: -	Data set: -	
	Units group: -	Unit selection: -		
	Min 0000 hex	Max FFFF FFFF hex	Factory setting 0000 hex	
Description:	Enters a new Safety Integrated password.			
Dependency:	A change made to the Safety Integrated password must be acknowledged in the following parameter: Refer to: p9763			
p9763	SI password acknowledgement / SI ackn password			
	Access level: 3	Calculated: -	Data type: Unsigned32	
	Can be changed: C(95)	Scaling: -	Data set: -	
	Units group: -	Unit selection: -		
	Min 0000 hex	Max FFFF FFFF hex	Factory setting 0000 hex	
Description:	Acknowledges the new Safety Integrated password.			
Dependency:	Refer to: p9762			
Note:	The new password entered into p9762 must be re-entered in order to acknowledge. p9762 = p9763 = 0 is automatically set after the new Safety Integrated password has been successfully acknowledged.			
r9770[0...3]	SI version drive-integrated safety function (processor 1) / SI version Drv P1			
	Access level: 3	Calculated: -	Data type: Unsigned16	
	Can be changed: -	Scaling: -	Data set: -	
	Units group: -	Unit selection: -		
	Min -	Max -	Factory setting -	
Description:	Displays the Safety Integrated version for the drive-integrated safety functions on processor 1.			
Index:	[0] = Safety Version (major release) [1] = Safety Version (minor release) [2] = Safety Version (baselevel or patch) [3] = Safety Version (hotfix)			
Note:	Example: r9770[0] = 2, r9770[1] = 60, r9770[2] = 1, r9770[3] = 0 --> Safety version V02.60.01.00			
r9771	SI common functions (processor 1) / SI general fct P1			
G120C CAN	Access level: 3	Calculated: -	Data type: Unsigned32	
G120C USS/MB	Can be changed: -	Scaling: -	Data set: -	
	Units group: -	Unit selection: -		
	Min -	Max -	Factory setting -	
Description:	Displays the supported Safety Integrated monitoring functions. Processor 1 determines this display.			
Bit field:	Bit	Signal name	1 signal	0 signal
	00	STO supported via terminals	Yes	No
Dependency:	Refer to: r9871			
Note:	STO: Safe Torque Off			

r9771		SI common functions (processor 1) / SI general fct P1			
G120C DP	Access level: 3	Calculated: -	Data type: Unsigned32		
	Can be changed: -	Scaling: -	Data set: -		
	Units group: -	Unit selection: -			
	Min	Max	Factory setting		
	-	-	-		
Description:	Displays the supported Safety Integrated monitoring functions. Processor 1 determines this display.				
Bit field:	Bit	Signal name	1 signal	0 signal	FP
	00	STO supported via terminals	Yes	No	2804
	06	Basic Functions PROFIsafe supported	Yes	No	-
Dependency:	Refer to: r9871				
Note:	STO: Safe Torque Off				
r9772.0...20		CO/BO: SI status (processor 1) / SI status P1			
	Access level: 2	Calculated: -	Data type: Unsigned32		
	Can be changed: -	Scaling: -	Data set: -		
	Units group: -	Unit selection: -			
	Min	Max	Factory setting		
	-	-	-		
Description:	Displays the Safety Integrated status on processor 1.				
Bit field:	Bit	Signal name	1 signal	0 signal	FP
	00	STO selected on processor 1	Yes	No	2810
	01	STO active on processor 1	Yes	No	2810
	09	STOP A cannot be acknowledged, active	Yes	No	2802
	10	STOP A active	Yes	No	2802
	15	STOP F active	Yes	No	2802
	16	STO cse: Safety comm. mode	Yes	No	-
	17	STO cause selection via terminal (Basic Functions)	Yes	No	-
	18	STO cause: Selection via motion monitoring functions	Yes	No	-
	19	STO cause actual value missing	Yes	No	-
	20	STO cause selection PROFIsafe (Basic Functions)	Yes	No	-
Dependency:	Refer to: r9872				
Note:	Re bit 00: When STO is selected, the cause is displayed in bits 16 ... 20.				
	Re bit 18: When the bit is set, STO is selected via PROFIsafe.				
	Re bit 19: For the drive-integrated motion monitoring functions, due to OFF2, no actual value sensing possible.				

r9773.0...31	CO/BO: SI status (processor 1 + processor 2) / SI status P1+P2				
	Access level: 2	Calculated: -	Data type: Unsigned32		
	Can be changed: -	Scaling: -	Data set: -		
	Units group: -	Unit selection: -			
	Min	Max	Factory setting		
	-	-	-		
Description:	Displays the Safety Integrated status on the drive (processor 1 + processor 2).				
Bit field:	Bit	Signal name	1 signal	0 signal	FP
	00	STO selected in drive	Yes	No	2804
	01	STO active in drive	Yes	No	2804
	31	Shutdown paths must be tested	Yes	No	2810
Note:	This status is formed from the AND operation of the relevant status of the two monitoring channels.				
r9776	SI diagnostics / SI diagnostics				
	Access level: 4	Calculated: -	Data type: Unsigned32		
	Can be changed: -	Scaling: -	Data set: -		
	Units group: -	Unit selection: -			
	Min	Max	Factory setting		
	-	-	-		
Description:	The parameter is used for diagnostics.				
Bit field:	Bit	Signal name	1 signal	0 signal	FP
	00	Safety parameter changed POWER ON required	Yes	No	-
Note:	Re bit 00 = 1: At least one Safety parameter has been changed that will only take effect after a POWER ON.				
r9780	SI monitoring clock cycle (processor 1) / SI mon_clk cyc P1				
	Access level: 3	Calculated: -	Data type: FloatingPoint32		
	Can be changed: -	Scaling: -	Data set: -		
	Units group: -	Unit selection: -			
	Min	Max	Factory setting		
	- [ms]	- [ms]	- [ms]		
Description:	Displays the clock cycle time for the Safety Integrated Basic Functions on processor 1.				
r9781[0...1]	SI checksum to check changes (processor 1) / SI chg chksm P1				
	Access level: 3	Calculated: -	Data type: Unsigned32		
	Can be changed: -	Scaling: -	Data set: -		
	Units group: -	Unit selection: -			
	Min	Max	Factory setting		
	-	-	-		
Description:	Displays the checksum for tracking changes for Safety Integrated. These are additional checksums that are created to track changes (fingerprint for the "safety logbook" functionality) to safety parameters (that are relevant for checksums).				
Index:	[0] = SI checksum to track functional changes [1] = SI checksum to track hardware-specific changes				
Dependency:	Refer to: p9601, p9799				

r9782[0...1]	SI time stamp to check changes (processor 1) / SI chg t P1		
	Access level: 3	Calculated: -	Data type: FloatingPoint32
	Can be changed: -	Scaling: -	Data set: -
	Units group: -	Unit selection: -	
	Min - [h]	Max - [h]	Factory setting - [h]
Description:	Displays the time stamps for the checksums for tracking changes for Safety Integrated. The time stamps for the checksums for tracking changes (fingerprint for the "safety logbook" functionality) made to safety parameters are saved in parameters p9781[0] and p9781[1].		
Index:	[0] = SI time stamp for checksum to track functional changes [1] = SI time stamp for checksum to track hardware-specific changes		
Dependency:	Refer to: p9601, p9799		
r9794[0...19]	SI crosswise comparison list (processor 1) / SI CDC_list P1		
	Access level: 3	Calculated: -	Data type: Unsigned16
	Can be changed: -	Scaling: -	Data set: -
	Units group: -	Unit selection: -	
	Min -	Max -	Factory setting -
Description:	Displays the numbers of the data items that are currently being compared crosswise on processor 1. The content of the list of crosswise-compared data is dependent upon the particular application.		
Note:	Example: r9794[0] = 1 (monitoring clock cycle) r9794[1] = 2 (enable safety functions) r9794[2] = 3 (F-DI changeover, tolerance time) ... A complete list of numbers for crosswise-compared data items appears in fault F01611.		
r9795	SI diagnostics STOP F (processor 1) / SI diag STOP F P1		
	Access level: 2	Calculated: -	Data type: Unsigned32
	Can be changed: -	Scaling: -	Data set: -
	Units group: -	Unit selection: -	
	Min -	Max -	Factory setting -
Description:	Displays the number of the cross-checked data item which caused STOP F on processor 1.		
Dependency:	Refer to: F01611		
Note:	A complete list of numbers for crosswise-compared data items appears in fault F01611.		
r9798	SI actual checksum SI parameters (processor 1) / SI act chksm P1		
	Access level: 3	Calculated: -	Data type: Unsigned32
	Can be changed: -	Scaling: -	Data set: -
	Units group: -	Unit selection: -	
	Min -	Max -	Factory setting -
Description:	Displays the checksum for the Safety Integrated parameters checked using checksums on processor 1 (actual checksum).		
Dependency:	Refer to: p9799, r9898		

p9799	SI setpoint checksum SI parameters (processor 1) / SI setp_chksm P1				
	Access level: 3	Calculated: -	Data type: Unsigned32		
	Can be changed: C(95)	Scaling: -	Data set: -		
	Units group: -	Unit selection: -			
	Min 0000 hex	Max FFFF FFFF hex	Factory setting 0000 hex		
Description:	Sets the checksum for the Safety Integrated parameters checked using checksums on processor 1 (setpoint checksum).				
Dependency:	Refer to: r9798, p9899				
p9801	SI enable, functions integrated in the drive (processor 2) / SI enable fct P2				
G120C CAN	Access level: 3	Calculated: -	Data type: Unsigned16		
G120C USS/MB	Can be changed: C(95)	Scaling: -	Data set: -		
	Units group: -	Unit selection: -			
	Min -	Max -	Factory setting 0000 bin		
Description:	Sets the enable signals for safety functions on processor 2 that are integrated in the drive. Not all of the settings listed below will be permissible, depending on the Control Unit being used: - p9801 = 0: Safety functions integrated in the drive disabled. - p9801 = 1: STO enabled via terminals. Permissible if r9871.0 = 1. - p9801 = 4: Motion monitoring functions integrated in the drive enabled via an integrated F-DI. Permissible if r9871.5 = 1. - p9801 = 8: STO enabled via PROFIsafe. Permissible if r9871.6 = 1. - p9801 = 9: STO enabled via PROFIsafe and STO via terminals. Permissible if r9871.6 = 1. - p9801 = 12: Motion monitoring functions integrated in the drive enabled via PROFIsafe. Permissible if r9871.4 = 1. - p9801 = 13: Motion monitoring functions integrated in the drive enabled via PROFIsafe and STO via terminals. Permissible if r9871.4 = 1.				
Bit field:	Bit	Signal name	1 signal	0 signal	FP
	00	Enable STO via terminals (processor 2)	Enable	Inhibit	2810
Dependency:	Refer to: p9601, r9871				
Notice:	This parameter is overwritten by the copy function of the safety functions integrated in the drive.				
Note:	A change only becomes effective after a POWER ON. F-DI: Failsafe Digital Input. STO: Safe Torque Off				

p9801	SI enable, functions integrated in the drive (processor 2) / SI enable fct P2				
G120C DP	Access level: 3	Calculated: -	Data type: Unsigned16		
	Can be changed: C(95)	Scaling: -	Data set: -		
	Units group: -	Unit selection: -			
	Min	Max	Factory setting		
	-	-	0000 bin		
Description:	Sets the enable signals for safety functions on processor 2 that are integrated in the drive. Not all of the settings listed below will be permissible, depending on the Control Unit being used: - p9801 = 0: Safety functions integrated in the drive disabled. - p9801 = 1: STO enabled via terminals. Permissible if r9871.0 = 1. - p9801 = 4: Motion monitoring functions integrated in the drive enabled via an integrated F-DI. Permissible if r9871.5 = 1. - p9801 = 8: STO enabled via PROFIsafe. Permissible if r9871.6 = 1. - p9801 = 9: STO enabled via PROFIsafe and STO via terminals. Permissible if r9871.6 = 1. - p9801 = 12: Motion monitoring functions integrated in the drive enabled via PROFIsafe. Permissible if r9871.4 = 1. - p9801 = 13: Motion monitoring functions integrated in the drive enabled via PROFIsafe and STO via terminals. Permissible if r9871.4 = 1.				
Bit field:	Bit	Signal name	1 signal	0 signal	FP
	00	Enable STO via terminals (processor 2)	Enable	Inhibit	2810
	03	Enable PROFIsafe (processor 2)	Enable	Inhibit	-
Dependency:	Refer to: p9601, r9871				
Notice:	This parameter is overwritten by the copy function of the safety functions integrated in the drive.				
Note:	A change only becomes effective after a POWER ON. F-DI: Failsafe Digital Input. STO: Safe Torque Off				
p9810	SI PROFIsafe address (processor 2) / SI PROFIsafe P2				
G120C DP	Access level: 3	Calculated: -	Data type: Unsigned16		
	Can be changed: C(95)	Scaling: -	Data set: -		
	Units group: -	Unit selection: -			
	Min	Max	Factory setting		
	0000 hex	FFFE hex	0000 hex		
Description:	Sets the PROFIsafe address on processor 2.				
Notice:	This parameter is overwritten by the copy function of the safety functions integrated in the drive.				
p9850	SI F-DI changeover tolerance time (processor 2) / SI F-DI_chg tol P2				
	Access level: 3	Calculated: -	Data type: FloatingPoint32		
	Can be changed: C(95)	Scaling: -	Data set: -		
	Units group: -	Unit selection: -			
	Min	Max	Factory setting		
	0.00 [µs]	2000000.00 [µs]	500000.00 [µs]		
Description:	Sets the tolerance time for the changeover of the failsafe digital input for STO on processor 2. An F-DI changeover is not effective simultaneously due to the different runtimes in the two monitoring channels. After an F-DI changeover, dynamic data is not subject to a crosswise data comparison during this tolerance time.				
Dependency:	Refer to: p9650				
Notice:	This parameter is overwritten by the copy function of the safety functions integrated in the drive.				
Note:	For a crosswise data comparison between p9650 and p9850, a difference of one Safety monitoring clock cycle is tolerated. The parameterized time is internally rounded-off to an integer multiple of the monitoring clock cycle. F-DI: Failsafe Digital Input				

p9851	SI STO debounce time (processor 2) / SI STO t_debou P2			
	Access level: 3	Calculated: -	Data type: FloatingPoint32	
	Can be changed: C(95)	Scaling: -	Data set: -	
	Units group: -	Unit selection: -		
	Min 0.00 [µs]	Max 100000.00 [µs]	Factory setting 0.00 [µs]	
Description:	Sets the debounce time for the failsafe digital inputs used to control the "STO" function. The debounce time is rounded to whole milliseconds.			
Dependency:	Refer to: p9651			
Notice:	This parameter is overwritten by the copy function of the safety functions integrated in the drive.			
Note:	The debounce time is rounded to whole milliseconds. It specifies the maximum duration of a fault pulse at the fail-safe digital inputs with no reaction/influence on the selection or deselection of the Safety Basic Functions. Example: Debounce time = 1 ms: Fault pulses of 1 ms are filtered; only pulses longer than 2 ms are processed. Debounce time = 3 ms: Fault pulses of 3 ms are filtered; only pulses longer than 4 ms are processed.			
r9871	SI common functions (processor 2) / SI common fct P2			
G120C CAN	Access level: 3	Calculated: -	Data type: Unsigned32	
G120C USS/MB	Can be changed: -	Scaling: -	Data set: -	
	Units group: -	Unit selection: -		
	Min -	Max -	Factory setting -	
Description:	Displays the supported Safety Integrated monitoring functions. Processor 2 determines this display.			
Bit field:	Bit	Signal name	1 signal	0 signal
	00	STO supported via terminals	Yes	No
				FP 2804
Dependency:	Refer to: r9771			
Note:	STO: Safe Torque Off			
r9871	SI common functions (processor 2) / SI common fct P2			
G120C DP	Access level: 3	Calculated: -	Data type: Unsigned32	
	Can be changed: -	Scaling: -	Data set: -	
	Units group: -	Unit selection: -		
	Min -	Max -	Factory setting -	
Description:	Displays the supported Safety Integrated monitoring functions. Processor 2 determines this display.			
Bit field:	Bit	Signal name	1 signal	0 signal
	00	STO supported via terminals	Yes	No
	06	Basic Functions PROFIsafe supported	Yes	No
				FP 2804
Dependency:	Refer to: r9771			
Note:	STO: Safe Torque Off			

r9872.0...20**CO/BO: SI status (processor 2) / SI Status P2****Access level:** 2 **Calculated:** - **Data type:** Unsigned32**Can be changed:** - **Scaling:** - **Data set:** -**Units group:** - **Unit selection:** -**Min** **Max** **Factory setting**

-

-

-

Description: Displays the Safety Integrated status on processor 2.

Bit field:	Bit	Signal name	1 signal	0 signal	FP
	00	STO selected on processor 2	Yes	No	2810
	01	STO active on processor 2	Yes	No	2810
	09	STOP A cannot be acknowledged, active	Yes	No	2802
	10	STOP A active	Yes	No	2802
	15	STOP F active	Yes	No	2802
	16	STO cse: Safety comm. mode	Yes	No	-
	17	STO cause selection via terminal (Basic Functions)	Yes	No	-
	18	STO cause: Selection via motion monitoring functions	Yes	No	-
	20	STO cause selection PROFIsafe (Basic Functions)	Yes	No	-

Dependency: Refer to: r9772

Note: Re bit 00:
When STO is selected, the cause is displayed in bits 16 ... 20.
Re bit 18:
When the bit is set, STO is selected via PROFIsafe.

r9898**SI actual checksum SI parameters (processor 2) / SI act_chksm P2****Access level:** 3 **Calculated:** - **Data type:** Unsigned32**Can be changed:** - **Scaling:** - **Data set:** -**Units group:** - **Unit selection:** -**Min** **Max** **Factory setting**

-

-

-

Description: Displays the checksum for the Safety Integrated parameters checked using checksums on processor 2 (actual checksum).**Dependency:** Refer to: r9798, p9899**p9899****SI setpoint checksum SI parameters (processor 2) / SI setp_chksm P2****Access level:** 3 **Calculated:** - **Data type:** Unsigned32**Can be changed:** C(95) **Scaling:** - **Data set:** -**Units group:** - **Unit selection:** -**Min** **Max** **Factory setting**

0000 hex

FFFF FFFF hex

0000 hex

Description: Sets the checksum for the Safety Integrated parameters checked using checksums on processor 2 (setpoint checksum).**Dependency:** Refer to: p9799, r9898

r9976[0...7]	System utilization / Sys util		
	Access level: 3	Calculated: -	Data type: FloatingPoint32
	Can be changed: -	Scaling: -	Data set: -
	Units group: -	Unit selection: -	Factory setting
	Min	Max	Factory setting
	- [%]	- [%]	- [%]
Description:	Displays the system utilization. If the utilization is greater than 100%, fault F01054 is output.		
Index:	[0] = Reserved [1] = Computing time utilization [2] = Reserved [3] = Reserved [4] = Reserved [5] = Largest total utilization [6] = Reserved [7] = Reserved		
Dependency:	Refer to: F01205		
Note:	Re index 1: The value shows the total computing time load of the system. Re index 5: The total utilization is determined using all sampling times used. The largest total utilization is mapped here. The sampling time with the largest total utilization is displayed in r9979. Total utilization: Computing time load of sampling time involved including load from higher-priority sampling times (interrupts).		

1.3 Command and Drive Data Sets – Overview

1.3.1 Command Data Sets (CDS)

Product: SINAMICS G120C, Version: 4402100, Language: eng, Type: CDS

p0700[0...n]	Command source selection / Cmd src sel
p0840[0...n]	Bl: ON / OFF (OFF1) / ON / OFF (OFF1)
p0844[0...n]	Bl: No coast-down / coast-down (OFF2) signal source 1 / OFF2 S_src 1
p0845[0...n]	Bl: No coast-down / coast-down (OFF2) signal source 2 / OFF2 S_src 2
p0848[0...n]	Bl: No Quick Stop / Quick Stop (OFF3) signal source 1 / OFF3 S_src 1
p0849[0...n]	Bl: No Quick Stop / Quick Stop (OFF3) signal source 2 / OFF3 S_src 2
p0852[0...n]	Bl: Enable operation/inhibit operation / Operation enable
p0854[0...n]	Bl: Control by PLC/no control by PLC / Master ctrl by PLC
p0855[0...n]	Bl: Unconditionally release holding brake / Uncond open brake
p0856[0...n]	Bl: Speed controller enable / n_ctrl enable
p0858[0...n]	Bl: Unconditionally close holding brake / Uncond close brake
p1000[0...n]	Speed setpoint selection / n_set sel
p1020[0...n]	Bl: Fixed speed setpoint selection Bit 0 / n_set_fixed Bit 0
p1021[0...n]	Bl: Fixed speed setpoint selection Bit 1 / n_set_fixed Bit 1
p1022[0...n]	Bl: Fixed speed setpoint selection Bit 2 / n_set_fixed Bit 2
p1023[0...n]	Bl: Fixed speed setpoint selection Bit 3 / n_set_fixed Bit 3
p1035[0...n]	Bl: Motorized potentiometer setpoint raise / Mop raise
p1036[0...n]	Bl: Motorized potentiometer lower setpoint / Mop lower
p1043[0...n]	Bl: Motorized potentiometer accept setting value / MotP acc set val
p1044[0...n]	Cl: Motorized potentiometer setting value / Mop set val
p1055[0...n]	Bl: Jog bit 0 / Jog bit 0
p1056[0...n]	Bl: Jog bit 1 / Jog bit 1
p1070[0...n]	Cl: Main setpoint / Main setpoint
p1071[0...n]	Cl: Main setpoint scaling / Main setp scal
p1075[0...n]	Cl: Suppl setpoint / Suppl setpoint
p1076[0...n]	Cl: Supplementary setpoint scaling / Suppl setp scal
p1110[0...n]	Bl: Inhibit negative direction / Inhib neg dir
p1111[0...n]	Bl: Inhibit positive direction / Inhib pos dir
p1113[0...n]	Bl: Setpoint inversion / Setp inv
p1140[0...n]	Bl: Enable ramp-function generator/inhibit ramp-function generator / RFG enable
p1141[0...n]	Bl: Continue ramp-function generator/freeze ramp-function generator / Continue RFG
p1142[0...n]	Bl: Enable setpoint/inhibit setpoint / Setpoint enable
p1201[0...n]	Bl: Flying restart enable signal source / Fly_res enab S_src
p1230[0...n]	Bl: DC braking activation / DC brake act
p1330[0...n]	Cl: U/f control independent voltage setpoint / Uf U_set independ.
p1352[0...n]	Cl: Motor holding brake starting frequency signal source / Brake f_start
p1475[0...n]	Cl: Speed controller torque setting value for motor holding brake / n_ctrl M_sv MHB
p1511[0...n]	Cl: Supplementary torque 1 / M_suppl 1
p1522[0...n]	Cl: Torque limit upper / M_max upper
p1523[0...n]	Cl: Torque limit lower / M_max lower
p1552[0...n]	Cl: Torque limit upper scaling without offset / M_max up w/o offs
p1554[0...n]	Cl: Torque limit lower scaling without offset / M_max low w/o offs
p1571[0...n]	Cl: Supplementary flux setpoint / Suppl flux setp
p2103[0...n]	Bl: 1. Acknowledge faults / 1. Acknowledge

p2104[0...n]	BI: 2. Acknowledge faults / 2. Acknowledge
p2106[0...n]	BI: External fault 1 / External fault 1
p2112[0...n]	BI: External alarm 1 / External alarm 1
p2200[0...n]	BI: Technology controller enable / Tec_ctrl enable
p2220[0...n]	BI: Technology controller fixed value selection bit 0 / Tec_ctrl sel bit 0
p2221[0...n]	BI: Technology controller fixed value selection bit 1 / Tec_ctrl sel bit 1
p2222[0...n]	BI: Technology controller fixed value selection bit 2 / Tec_ctrl sel bit 2
p2223[0...n]	BI: Technology controller fixed value selection bit 3 / Tec_ctrl sel bit 3
p2235[0...n]	BI: Technology controller motorized potentiometer raise setpoint / Tec_ctrl mop raise
p2236[0...n]	BI: Technology controller motorized potentiometer lower setpoint / Tec_ctrl mop lower
p2253[0...n]	CI: Technology controller setpoint 1 / Tec_ctrl setp 1
p2254[0...n]	CI: Technology controller setpoint 2 / Tec_ctrl setp 2
p2264[0...n]	CI: Technology controller actual value / Tec_ctrl act val
p2286[0...n]	BI: Hold technology controller integrator / Tec_ctr integ stop
p2289[0...n]	CI: Technology controller pre-control signal / Tec_ctrl prectrl
p2296[0...n]	CI: Technology controller output scaling / Tec_ctrl outp scal
p2297[0...n]	CI: Technology controller maximum limit signal source / Tec_ctrl m_lm s_s
p2298[0...n]	CI: Technology controller minimum limit signal source / Tec_ctrl min_l s_s
p2299[0...n]	CI: Technology controller limit offset / Tech_ctrl lim offs
p3330[0...n]	BI: 2-3-WIRE Control Command 1 / 2-3-WIRE CC_1
p3331[0...n]	BI: 2-3-WIRE Control Command 2 / 2-3-WIRE CC_2
p3332[0...n]	BI: 2-3-WIRE Control Command 3 / 2-3-WIRE CC_3

1.3.2 Drive Data Sets (DDS)

Product: SINAMICS G120C, Version: 4402100, Language: eng, Type: DDS

p0340[0...n]	Automatic calculation, motor/control parameters / Calc auto par
p0640[0...n]	Current limit / Current limit
p1001[0...n]	CO: Fixed speed setpoint 1 / n_set_fixed 1
p1002[0...n]	CO: Fixed speed setpoint 2 / n_set_fixed 2
p1003[0...n]	CO: Fixed speed setpoint 3 / n_set_fixed 3
p1004[0...n]	CO: Fixed speed setpoint 4 / n_set_fixed 4
p1005[0...n]	CO: Fixed speed setpoint 5 / n_set_fixed 5
p1006[0...n]	CO: Fixed speed setpoint 6 / n_set_fixed 6
p1007[0...n]	CO: Fixed speed setpoint 7 / n_set_fixed 7
p1008[0...n]	CO: Fixed speed setpoint 8 / n_set_fixed 8
p1009[0...n]	CO: Fixed speed setpoint 9 / n_set_fixed 9
p1010[0...n]	CO: Fixed speed setpoint 10 / n_set_fixed 10
p1011[0...n]	CO: Fixed speed setpoint 11 / n_set_fixed 11
p1012[0...n]	CO: Fixed speed setpoint 12 / n_set_fixed 12
p1013[0...n]	CO: Fixed speed setpoint 13 / n_set_fixed 13
p1014[0...n]	CO: Fixed speed setpoint 14 / n_set_fixed 14
p1015[0...n]	CO: Fixed speed setpoint 15 / n_set_fixed 15
p1030[0...n]	Motorized potentiometer configuration / Mop configuration
p1037[0...n]	Motorized potentiometer maximum speed / MotP n_max
p1038[0...n]	Motorized potentiometer minimum speed / MotP n_min
p1040[0...n]	Motorized potentiometer starting value / Mop start value
p1047[0...n]	Motorized potentiometer ramp-up time / Mop ramp-up time
p1048[0...n]	Motorized potentiometer ramp-down time / Mop ramp-down time
p1058[0...n]	Jog 1 speed setpoint / Jog 1 n_set

p1059[0...n]	Jog 2 speed setpoint / Jog 2 n_set
p1080[0...n]	Minimum speed / n_min
p1082[0...n]	Maximum speed / n_max
p1083[0...n]	CO: Speed limit in positive direction of rotation / n_limit pos
p1086[0...n]	CO: Speed limit in negative direction of rotation / n_limit neg
p1091[0...n]	Skip speed 1 / n_skip 1
p1092[0...n]	Skip speed 2 / n_skip 2
p1101[0...n]	Skip speed bandwidth / n_skip bandwidth
p1120[0...n]	Ramp-function generator ramp-up time / RFG ramp-up time
p1121[0...n]	Ramp-function generator ramp-down time / RFG ramp-down time
p1130[0...n]	Ramp-function generator initial rounding-off time / RFG t_start_round
p1131[0...n]	Ramp-function generator final rounding-off time / RFG t_end_delay
p1134[0...n]	Ramp-function generator rounding-off type / RFG round-off type
p1135[0...n]	OFF3 ramp-down time / OFF3 t_RD
p1136[0...n]	OFF3 initial rounding-off time / RFGOFF3 t_strt_rnd
p1137[0...n]	OFF3 final rounding-off time / RFG OFF3 t_end_del
p1200[0...n]	FlyRest oper mode / FlyRest op_mode
p1202[0...n]	FlyRest srch curr / FlyRest I_srch
p1203[0...n]	Flying restart search rate factor / FlyRst v_Srch Fact
p1240[0...n]	Vdc controller or Vdc monitoring configuration (vector control) / Vdc_ctr config vec
p1243[0...n]	Vdc_max controller dynamic factor / Vdc_max dyn_factor
p1245[0...n]	Vdc_min controller switch-in level (kinetic buffering) / Vdc_min on_level
p1247[0...n]	Vdc_min controller dynamic factor (kinetic buffering) / Vdc_min dyn_factor
p1249[0...n]	Vdc_max controller speed threshold / Vdc_max n_thresh
p1250[0...n]	Vdc controller proportional gain / Vdc_ctrl Kp
p1251[0...n]	Vdc controller integral time / Vdc_ctrl Tn
p1252[0...n]	Vdc controller rate time / Vdc_ctrl t_rate
p1255[0...n]	Vdc_min controller time threshold / Vdc_min t_thresh
p1256[0...n]	Vdc_min controller response (kinetic buffering) / Vdc_min response
p1257[0...n]	Vdc_min controller speed threshold / Vdc_min n_thresh
p1280[0...n]	Vdc controller or Vdc monitoring configuration (U/f) / Vdc_ctr config U/f
p1283[0...n]	Vdc_max controller dynamic factor (U/f) / Vdc_max dyn_factor
p1290[0...n]	Vdc controller proportional gain (U/f) / Vdc_ctrl Kp
p1291[0...n]	Vdc controller integral time (U/f) / Vdc_ctrl Tn
p1292[0...n]	Vdc controller rate time (U/f) / Vdc_ctrl t_rate
p1300[0...n]	Open-loop/closed-loop control operating mode / Op/cl-lp ctrl_mode
p1310[0...n]	Voltage boost permanent / U_boost perm
p1311[0...n]	Voltage boost at acceleration / U_boost accelerate
p1312[0...n]	Voltage boost when starting / U_boost starting
p1320[0...n]	U/f control programmable characteristic frequency 1 / Uf char f1
p1321[0...n]	U/f control programmable characteristic voltage 1 / Uf char U1
p1322[0...n]	U/f control programmable characteristic frequency 2 / Uf char f2
p1323[0...n]	U/f control programmable characteristic voltage 2 / Uf char U2
p1324[0...n]	U/f control programmable characteristic frequency 3 / Uf char f3
p1325[0...n]	U/f control programmable characteristic voltage 3 / Uf char U3
p1326[0...n]	U/f control programmable characteristic frequency 4 / Uf char f4
p1327[0...n]	U/f control programmable characteristic voltage 4 / Uf char U4
p1334[0...n]	U/f control slip compensation starting frequency / Slip comp start
p1335[0...n]	Slip compensation, scaling / Slip comp scal
p1336[0...n]	Slip compensation limit value / Slip comp lim val
p1338[0...n]	U/f mode resonance damping gain / Uf Res_damp gain
p1340[0...n]	I_max frequency controller proportional gain / I_max_ctrl Kp
p1341[0...n]	I_max frequency controller integral time / I_max_ctrl Tn

p1345[0...n]	I _{max} voltage controller proportional gain / I _{max_U_ctrl} Kp
p1346[0...n]	I _{max} voltage controller integral time / I _{max_U_ctrl} Tn
p1349[0...n]	U/f mode resonance damping maximum frequency / Uf res_damp f _{max}
p1351[0...n]	CO: Motor holding brake starting frequency / Brake f _{start}
p1452[0...n]	Speed controller speed actual value smoothing time (SLVC) / n _C n _{act} T _s SLVC
p1470[0...n]	Speed controller encoderless operation P-gain / n _{ctrl} SLVC Kp
p1472[0...n]	Speed controller encoderless operation integral time / n _{ctrl} SLVC Tn
p1496[0...n]	Acceleration pre-control scaling / a _{before} scaling
p1517[0...n]	Accelerating torque smoothing time constant / M _{accel} T _{smooth}
p1520[0...n]	CO: Torque limit upper / M _{max} upper
p1521[0...n]	CO: Torque limit lower / M _{max} lower
p1524[0...n]	CO: Torque limit upper/motoring scaling / M _{max} up/mot scal
p1525[0...n]	CO: Torque limit lower scaling / M _{max} lower scal
p1530[0...n]	Power limit motoring / P _{max} mot
p1531[0...n]	Power limit regenerative / P _{max} gen
p1570[0...n]	CO: Flux setpoint / Flux setpoint
p1580[0...n]	Efficiency optimization / Efficiency opt.
p1582[0...n]	Flux setpoint smoothing time / Flux setp T _{smth}
p1610[0...n]	Torque setpoint static (SLVC) / M _{set} static
p1611[0...n]	Supplementary accelerating torque (SLVC) / M _{suppl} accel
p1730[0...n]	Isd controller integral component shutdown threshold / Isd _{ctrl} I _{thresh}
p1745[0...n]	Motor model error threshold stall detection / MotMod ThreshStall
p1755[0...n]	Motor model changeover speed encoderless operation / MotMod n _{chg} SnsorI
p1764[0...n]	Motor model without encoder speed adaptation Kp / MotMod woE n _{ada} Kp
p1767[0...n]	Motor model without encoder speed adaptation Tn / MotMod woE n _{ada} Tn
p1780[0...n]	Motor model adaptation configuration / MotMod adapt conf
p1784[0...n]	Motor model feedback scaling / Mod_FB _{scal}
r1787[0...n]	Motor model Lh adaptation corrective value / MotMod Lh corr
p1800[0...n]	Pulse frequency setpoint / Pulse freq setp
p1802[0...n]	Modulator mode / Modulator mode
p1803[0...n]	Maximum modulation depth / Modulat depth max
p1806[0...n]	Filter time constant V _{dc} correction / T _{filt} V _{dc} corr
p1820[0...n]	Reverse the output phase sequence / Outp_ph_seq rev
p1959[0...n]	Rotating measurement configuration / Rot meas config
p2201[0...n]	CO: Technology controller, fixed value 1 / Tec_ctr fix val 1
p2202[0...n]	CO: Technology controller, fixed value 2 / Tec_ctr fix val 2
p2203[0...n]	CO: Technology controller, fixed value 3 / Tec_ctr fix val 3
p2204[0...n]	CO: Technology controller, fixed value 4 / Tec_ctr fix val 4
p2205[0...n]	CO: Technology controller, fixed value 5 / Tec_ctr fix val 5
p2206[0...n]	CO: Technology controller, fixed value 6 / Tec_ctr fix val 6
p2207[0...n]	CO: Technology controller, fixed value 7 / Tec_ctr fix val 7
p2208[0...n]	CO: Technology controller, fixed value 8 / Tec_ctr fix val 8
p2209[0...n]	CO: Technology controller, fixed value 9 / Tec_ctr fix val 9
p2210[0...n]	CO: Technology controller, fixed value 10 / Tec_ctr fix val 10
p2211[0...n]	CO: Technology controller, fixed value 11 / Tec_ctr fix val 11
p2212[0...n]	CO: Technology controller, fixed value 12 / Tec_ctr fix val 12
p2213[0...n]	CO: Technology controller, fixed value 13 / Tec_ctr fix val 13
p2214[0...n]	CO: Technology controller, fixed value 14 / Tec_ctr fix val 14
p2215[0...n]	CO: Technology controller, fixed value 15 / Tec_ctr fix val 15
p2216[0...n]	Technology controller fixed value selection method / Tec_ctr FixVal sel
p2230[0...n]	Technology controller motorized potentiometer configuration / Tec_ctr mop config
p2237[0...n]	Technology controller motorized potentiometer maximum value / Tec_ctrl mop max
p2238[0...n]	Technology controller motorized potentiometer minimum value / Tec_ctrl mop min

p2240[0...n]	Technology controller motorized potentiometer starting value / Tec_ctrl mop start
p2247[0...n]	Technology controller motorized potentiometer ramp-up time / Tec_ctr mop t_r-up
p2248[0...n]	Technology controller motorized potentiometer ramp-down time / Tec_ctrMop t_rdown
p2900[0...n]	CO: Fixed value 1 [%] / Fixed value 1 [%]
p2901[0...n]	CO: Fixed value 2 [%] / Fixed value 2 [%]
p2930[0...n]	CO: Fixed value M [Nm] / Fixed value M [Nm]
p3320[0...n]	Fluid flow machine P = f(n), Y coordinate: P flow1 %, point 1 / Fluid flow mach Y1
p3321[0...n]	Fluid flow machine P = f(n), X coordinate: n flow1 %, point 1 / Fluid flow mach X1
p3322[0...n]	Fluid flow machine P = f(n), Y coordinate: P flow2 %, point 2 / Fluid flow mach Y2
p3323[0...n]	Fluid flow machine P = f(n), X coordinate: n flow2 %, point 2 / Fluid flow mach X2
p3324[0...n]	Fluid flow machine P = f(n), Y coordinate: P flow3 %, point 3 / Fluid flow mach Y3
p3325[0...n]	Fluid flow machine P = f(n), X coordinate: n flow3 %, point 3 / Fluid flow mach X3
p3326[0...n]	Fluid flow machine P = f(n), Y coordinate: P flow4 %, point 4 / Fluid flow mach Y4
p3327[0...n]	Fluid flow machine P = f(n), X coordinate: n flow4 %, point 4 / Fluid flow mach X4
p3328[0...n]	Fluid flow machine P = f(n), Y coordinate: P flow5 %, point 5 / Fluid flow mach Y5
p3329[0...n]	Fluid flow machine P = f(n), X coordinate: n flow5 %, point 5 / Fluid flow mach X5
p3856[0...n]	Compound braking current / Compound I_brake
r3925[0...n]	Identification final display / Ident final_disp
r3927[0...n]	Motor data identification control word / MotID STW
r3928[0...n]	Rotating measurement configuration / Rot meas config
r3929[0...n]	Motor data identification modulated voltage generation / MotID U_gen mod

1.3.3 Motor Data Sets (MDS)

Product: SINAMICS G120C, Version: 4402100, Language: eng, Type: MDS

p0300[0...n]	Motor type selection / Mot type sel
p0301[0...n]	Motor code number selection / Mot code No. sel
p0304[0...n]	Rated motor voltage / Mot U_rated
p0305[0...n]	Rated motor current / Mot I_rated
p0307[0...n]	Rated motor power / Mot P_rated
p0308[0...n]	Rated motor power factor / Mot cos_phi_rated
p0309[0...n]	Rated motor efficiency / Mot eta_rated
p0310[0...n]	Rated motor frequency / Mot f_rated
p0311[0...n]	Rated motor speed / Mot n_rated
p0316[0...n]	Motor torque constant / Mot kT
p0320[0...n]	Motor rated magnetizing current/short-circuit current / Mot I_mag_rated
p0322[0...n]	Maximum motor speed / Mot n_max
p0323[0...n]	Maximum motor current / Mot I_max
r0330[0...n]	Rated motor slip / Mot slip_rated
r0331[0...n]	Actual motor magnetizing current/short-circuit current / Mot I_mag_rtd act
r0333[0...n]	Rated motor torque / Mot M_rated
p0335[0...n]	Motor cooling type / Motor cooling type
p0341[0...n]	Motor moment of inertia / Mot M_mom of inert
p0342[0...n]	Ratio between the total and motor moment of inertia / Mot MomInert Ratio
p0344[0...n]	Motor weight (for the thermal motor model) / Mot weight th mod
r0345[0...n]	Nominal motor starting time / Mot t_start_rated
p0346[0...n]	Motor excitation build-up time / Mot t_excitation
p0347[0...n]	Motor de-excitation time / Mot t_de-excitat.
p0350[0...n]	Motor stator resistance, cold / Mot R_stator cold
p0352[0...n]	Cable resistance / Mot R_cable cold
p0354[0...n]	Motor rotor resistance cold / Mot R_r cold

p0356[0...n]	Motor stator leakage inductance / Mot L_stator leak.
p0357[0...n]	Motor stator inductance, d axis / Mot L_stator d
p0358[0...n]	Motor rotor leakage inductance / Mot L_rot leak
p0360[0...n]	Motor magnetizing inductance / Mot Lh
p0362[0...n]	Motor saturation characteristic flux 1 / Mot saturat.flux 1
p0363[0...n]	Motor saturation characteristic flux 2 / Mot saturat.flux 2
p0364[0...n]	Motor saturation characteristic flux 3 / Mot saturat.flux 3
p0365[0...n]	Motor saturation characteristic flux 4 / Mot saturat.flux 4
p0366[0...n]	Motor saturation characteristic I_mag 1 / Mot sat. I_mag 1
p0367[0...n]	Motor saturation characteristic I_mag 2 / Mot sat. I_mag 2
p0368[0...n]	Motor saturation characteristic I_mag 3 / Mot sat. I_mag 3
p0369[0...n]	Motor saturation characteristic I_mag 4 / Mot sat. I_mag 4
r0382[0...n]	Motor magnetizing inductance transformed / Mot L_magn transf
r0384[0...n]	Motor rotor time constant / damping time constant d axis / Mot T_rotor/T_Dd
r0386[0...n]	Motor stator leakage time constant / Mot T_stator leak
r0395[0...n]	Actual stator resistance / R_stator act
r0396[0...n]	Actual rotor resistance / R_rotor act
p0601[0...n]	Motor temperature sensor type / Mot_temp_sens type
p0604[0...n]	Motor temperature alarm threshold / Mot_temp al thr
p0605[0...n]	Motor temperature fault threshold / Mot_temp flt thr
p0610[0...n]	Motor overtemperature response / Mot temp response
p0611[0...n]	I2t motor model thermal time constant / I2t mot_mod T
p0615[0...n]	I2t motor model fault threshold / I2t mot_mod thresh
p0620[0...n]	Thermal adaptation, stator and rotor resistance / Mot therm_adapt R
p0621[0...n]	Identification stator resistance after restart / Rst_ident Restart
p0622[0...n]	Motor excitation time for Rs_ident after powering up again / t_excit Rs_id
p0625[0...n]	Motor ambient temperature / Mot T_ambient
r0632[0...n]	Motor temperature model, stator winding temperature / MotTMod T_copper
p0637[0...n]	Q flux flux gradient saturated / PSIQ Grad SAT
p1231[0...n]	DC braking configuration / DCBRK config
p1232[0...n]	DC braking, braking current / DCBRK I_brake
p1233[0...n]	DC braking time / DCBRK time
p1234[0...n]	Speed at the start of DC braking / DCBRK n_start
p1909[0...n]	Motor data identification control word / MotID STW
r3926[0...n]	Alternating voltage generation base voltage amplitude / Alt U_gen U_base

1.3.4 Power unit Data Set (PDS)

Product: SINAMICS G120C, Version: 4402100, Language: eng, Type: PDS

p0201[0...n]	Power unit code number / PU code no
r0204[0...n]	Power unit hardware properties / PU HW property

1.4 Connector/Binector (BICO)-Parameters

1.4.1 Binector Input Parameters

Product: SINAMICS G120C, Version: 4402100, Language: eng, Type: BI

p0730	BI: CU signal source for terminal DO 0 / CU S_src DO 0
p0731	BI: CU signal source for terminal DO 1 / CU S_src DO 1
p0782[0...1]	BI: CU analog outputs invert signal source / CU AO inv S_src
p0806	BI: Inhibit master control / PcCtrl inhibit
p0810	BI: Command data set selection CDS bit 0 / CDS select., bit 0
p0840[0...n]	BI: ON / OFF (OFF1) / ON / OFF (OFF1)
p0844[0...n]	BI: No coast-down / coast-down (OFF2) signal source 1 / OFF2 S_src 1
p0845[0...n]	BI: No coast-down / coast-down (OFF2) signal source 2 / OFF2 S_src 2
p0848[0...n]	BI: No Quick Stop / Quick Stop (OFF3) signal source 1 / OFF3 S_src 1
p0849[0...n]	BI: No Quick Stop / Quick Stop (OFF3) signal source 2 / OFF3 S_src 2
p0852[0...n]	BI: Enable operation/inhibit operation / Operation enable
p0854[0...n]	BI: Control by PLC/no control by PLC / Master ctrl by PLC
p0855[0...n]	BI: Unconditionally release holding brake / Uncond open brake
p0856[0...n]	BI: Speed controller enable / n_ctrl enable
p0858[0...n]	BI: Unconditionally close holding brake / Uncond close brake
p1020[0...n]	BI: Fixed speed setpoint selection Bit 0 / n_set_fixed Bit 0
p1021[0...n]	BI: Fixed speed setpoint selection Bit 1 / n_set_fixed Bit 1
p1022[0...n]	BI: Fixed speed setpoint selection Bit 2 / n_set_fixed Bit 2
p1023[0...n]	BI: Fixed speed setpoint selection Bit 3 / n_set_fixed Bit 3
p1035[0...n]	BI: Motorized potentiometer setpoint raise / Mop raise
p1036[0...n]	BI: Motorized potentiometer lower setpoint / Mop lower
p1043[0...n]	BI: Motorized potentiometer accept setting value / MotP acc set val
p1055[0...n]	BI: Jog bit 0 / Jog bit 0
p1056[0...n]	BI: Jog bit 1 / Jog bit 1
p1110[0...n]	BI: Inhibit negative direction / Inhib neg dir
p1111[0...n]	BI: Inhibit positive direction / Inhib pos dir
p1113[0...n]	BI: Setpoint inversion / Setp inv
p1140[0...n]	BI: Enable ramp-function generator/inhibit ramp-function generator / RFG enable
p1141[0...n]	BI: Continue ramp-function generator/freeze ramp-function generator / Continue RFG
p1142[0...n]	BI: Enable setpoint/inhibit setpoint / Setpoint enable
p1201[0...n]	BI: Flying restart enable signal source / Fly_res enab S_src
p1230[0...n]	BI: DC braking activation / DC brake act
p2080[0...15]	BI: Binector-connector converter status word 1 / Bin/con ZSW1
p2103[0...n]	BI: 1. Acknowledge faults / 1. Acknowledge
p2104[0...n]	BI: 2. Acknowledge faults / 2. Acknowledge
p2106[0...n]	BI: External fault 1 / External fault 1
p2112[0...n]	BI: External alarm 1 / External alarm 1
p2200[0...n]	BI: Technology controller enable / Tec_ctrl enable
p2220[0...n]	BI: Technology controller fixed value selection bit 0 / Tec_ctrl sel bit 0
p2221[0...n]	BI: Technology controller fixed value selection bit 1 / Tec_ctrl sel bit 1
p2222[0...n]	BI: Technology controller fixed value selection bit 2 / Tec_ctrl sel bit 2
p2223[0...n]	BI: Technology controller fixed value selection bit 3 / Tec_ctrl sel bit 3
p2235[0...n]	BI: Technology controller motorized potentiometer raise setpoint / Tec_ctrl mop raise
p2236[0...n]	BI: Technology controller motorized potentiometer lower setpoint / Tec_ctrl mop lower

p2286[0...n]	BI: Hold technology controller integrator / Tec_ctr integ stop
p3330[0...n]	BI: 2-3-WIRE Control Command 1 / 2-3-WIRE CC_1
p3331[0...n]	BI: 2-3-WIRE Control Command 2 / 2-3-WIRE CC_2
p3332[0...n]	BI: 2-3-WIRE Control Command 3 / 2-3-WIRE CC_3
p8785	BI: CAN status word bit 8 / Status word bit 8
p8786	BI: CAN status word bit 14 / Status word bit 14
p8787	BI: CAN status word bit 15 / Status word bit 15

1.4.2 Connector Input Parameters

Product: SINAMICS G120C, Version: 4402100, Language: eng, Type: CI

p0771[0...1]	CI: CU analog outputs signal source / CU AO S_src
p1044[0...n]	CI: Motorized potentiometer setting value / Mop set val
p1070[0...n]	CI: Main setpoint / Main setpoint
p1071[0...n]	CI: Main setpoint scaling / Main setp scal
p1075[0...n]	CI: Suppl setpoint / Suppl setpoint
p1076[0...n]	CI: Supplementary setpoint scaling / Suppl setp scal
p1330[0...n]	CI: U/f control independent voltage setpoint / Uf U_set independ.
p1352[0...n]	CI: Motor holding brake starting frequency signal source / Brake f_start
p1475[0...n]	CI: Speed controller torque setting value for motor holding brake / n_ctrl M_sv MHB
p1511[0...n]	CI: Supplementary torque 1 / M_suppl 1
p1522[0...n]	CI: Torque limit upper / M_max upper
p1523[0...n]	CI: Torque limit lower / M_max lower
p1552[0...n]	CI: Torque limit upper scaling without offset / M_max up w/o offs
p1554[0...n]	CI: Torque limit lower scaling without offset / M_max low w/o offs
p1571[0...n]	CI: Supplementary flux setpoint / Suppl flux setp
p2016[0...3]	CI: Comm IF USS PZD send word / Comm USS send word
p2051[0...7]	CI: PROFIdrive PZD send word / PZD send word
p2253[0...n]	CI: Technology controller setpoint 1 / Tec_ctrl setp 1
p2254[0...n]	CI: Technology controller setpoint 2 / Tec_ctrl setp 2
p2264[0...n]	CI: Technology controller actual value / Tec_ctrl act val
p2289[0...n]	CI: Technology controller pre-control signal / Tec_ctrl prectrl
p2296[0...n]	CI: Technology controller output scaling / Tec_ctrl outp scal
p2297[0...n]	CI: Technology controller maximum limit signal source / Tec_ctrl m_lm s_sc
p2298[0...n]	CI: Technology controller minimum limit signal source / Tec_ctrl min_l s_s
p2299[0...n]	CI: Technology controller limit offset / Tech_ctrl lim offs

1.4.3 Binector Output Parameters

Product: SINAMICS G120C, Version: 4402100, Language: eng, Type: BO

r0751.0...9	BO: CU analog inputs status word / CU AI status word
r0785.0...1	BO: CU analog outputs status word / CU AO ZSW
r0807.0	BO: Master control active / PcCtrl active
r1025.0	BO: Fixed speed setpoint status / n_setp_fix status

r2043.0...2	BO: PROFIdrive PZD state / PD PZD state
r2090.0...15	BO: PROFIdrive PZD1 receive bit-serial / PZD1 recv bitw
r2091.0...15	BO: PROFIdrive PZD2 receive bit-serial / PZD2 recv bitw
r2092.0...15	BO: PROFIdrive PZD3 receive bit-serial / PZD3 recv bitw
r2093.0...15	BO: PROFIdrive PZD4 receive bit-serial / PZD4 recv bitw
r2094.0...15	BO: Connector-binector converter binector output / Con/bin outp
r2095.0...15	BO: Connector-binector converter binector output / Con/bin outp

1.4.4 Connector Output Parameters

Product: SINAMICS G120C, Version: 4402100, Language: eng, Type: CO

r0021	CO: Actual speed smoothed / n_act smooth
r0025	CO: Output voltage smoothed / U_outp smooth
r0026	CO: DC link voltage smoothed / Vdc smooth
r0027	CO: Absolute actual current smoothed / I_act abs val smth
r0032	CO: Active power actual value smoothed / P_actv_act smth
r0034	CO: Motor utilization / Motor utilization
r0035	CO: Motor temperature / Mot temp
r0036	CO: Power unit overload I2t / PU overload I2t
r0037[0...19]	CO: Power unit temperatures / PU temperatures
r0060	CO: Speed setpoint before the setpoint filter / n_set before filt.
r0062	CO: Speed setpoint after the filter / n_set after filter
r0063[0...2]	CO: Speed actual value / n_act
r0064	CO: Speed controller system deviation / n_ctrl system dev
r0066	CO: Output frequency / f_outp
r0067	CO: Output current, maximum / I_outp max
r0068[0...1]	CO: Absolute current actual value / I_act abs val
r0069[0...6]	CO: Phase current actual value / I_phase act value
r0070	CO: Actual DC link voltage / Vdc act val
r0072	CO: Output voltage / U_output
r0074	CO: Modulat_depth / Modulat_depth
r0075	CO: Current setpoint field-generating / Id_set
r0076	CO: Current actual value field-generating / Id_act
r0077	CO: Current setpoint torque-generating / Iq_set
r0078	CO: Current actual value torque-generating / Iq_act
r0079	CO: Torque setpoint / M_set total
r0080[0...1]	CO: Torque actual value / M_act
r0081	CO: Torque utilization / M_Utilization
r0082[0...2]	CO: Active power actual value / P_act
r0083	CO: Flux setpoint / Flex setp
r0084[0...1]	CO: Flux actual value / Flux act val
r0087	CO: Actual power factor / Cos phi act
r0289	CO: Maximum power unit output current / PU I_outp max
r0752[0...1]	CO: CU analog inputs input voltage/current actual / CU AI U/I_inp act
r0755[0...1]	CO: CU analog inputs actual value in percent / CU AI value in %
r0944	CO: Counter for fault buffer changes / Fault buff change
p1001[0...n]	CO: Fixed speed setpoint 1 / n_set_fixed 1
p1002[0...n]	CO: Fixed speed setpoint 2 / n_set_fixed 2
p1003[0...n]	CO: Fixed speed setpoint 3 / n_set_fixed 3

p1004[0...n]	CO: Fixed speed setpoint 4 / n_set_fixed 4
p1005[0...n]	CO: Fixed speed setpoint 5 / n_set_fixed 5
p1006[0...n]	CO: Fixed speed setpoint 6 / n_set_fixed 6
p1007[0...n]	CO: Fixed speed setpoint 7 / n_set_fixed 7
p1008[0...n]	CO: Fixed speed setpoint 8 / n_set_fixed 8
p1009[0...n]	CO: Fixed speed setpoint 9 / n_set_fixed 9
p1010[0...n]	CO: Fixed speed setpoint 10 / n_set_fixed 10
p1011[0...n]	CO: Fixed speed setpoint 11 / n_set_fixed 11
p1012[0...n]	CO: Fixed speed setpoint 12 / n_set_fixed 12
p1013[0...n]	CO: Fixed speed setpoint 13 / n_set_fixed 13
p1014[0...n]	CO: Fixed speed setpoint 14 / n_set_fixed 14
p1015[0...n]	CO: Fixed speed setpoint 15 / n_set_fixed 15
r1024	CO: Fixed speed setpoint effective / n_set_fixed eff
r1045	CO: Mot. potentiometer speed setp. in front of ramp-fct. gen. / Mop n_set bef RFG
r1050	CO: Motor. potentiometer setpoint after the ramp-function generator / Mop setp after RFG
r1073	CO: Main setpoint effective / Main setpoint eff
r1077	CO: Supplementary setpoint effective / Suppl setpoint eff
r1078	CO: Total setpoint effective / Total setpoint eff
p1083[0...n]	CO: Speed limit in positive direction of rotation / n_limit pos
r1084	CO: Speed limit positive effective / n_limit pos eff
p1086[0...n]	CO: Speed limit in negative direction of rotation / n_limit neg
r1087	CO: Speed limit negative effective / n_limit neg eff
r1112	CO: Speed setpoint after minimum limiting / n_set n. min_lim
r1114	CO: Setpoint after the direction limiting / Setp after limit
r1119	CO: Ramp-function generator setpoint at the input / RFG setp at inp
r1149	CO: Ramp-function generator, acceleration / RFG acceleration
r1150	CO: Ramp-function generator speed setpoint at the output / RFG n_set at outp
r1170	CO: Speed controller, setpoint sum / n_ctrl setp sum
r1258	CO: Vdc controller output / Vdc_ctrl output
r1298	CO: Vdc controller output (U/f) / Vdc_ctrl output
r1337	CO: Actual slip compensation / Slip comp act val
r1343	CO: I_max controller frequency output / I_max_ctrl f_outp
r1348	CO: U/f control Eco factor actual value / U/f Eco fac act v
p1351[0...n]	CO: Motor holding brake starting frequency / Brake f_start
r1438	CO: Speed controller, speed setpoint / n_ctrl n_set
r1445	CO: Actual speed smoothed / n_act smooth
r1482	CO: Speed controller I torque output / n_ctrl I-M_output
r1493	CO: Moment of inertia, total / M_inertia total
r1508	CO: Torque setpoint before supplementary torque / M_set bef. M_suppl
r1516	CO: Supplementary torque and acceleration torque / M_suppl + M_accel
p1520[0...n]	CO: Torque limit upper / M_max upper
p1521[0...n]	CO: Torque limit lower / M_max lower
p1524[0...n]	CO: Torque limit upper/motoring scaling / M_max up/mot scal
p1525[0...n]	CO: Torque limit lower scaling / M_max lower scal
r1526	CO: Torque limit upper without offset / M_max up w/o offs
r1527	CO: Torque limit lower without offset / M_max low w/o offs
r1538	CO: Upper effective torque limit / M_max upper eff
r1539	CO: Lower effective torque limit / M_max lower eff
r1547[0...1]	CO: Torque limit for speed controller output / M_max outp n_ctrl
p1570[0...n]	CO: Flux setpoint / Flux setpoint
r1598	CO: Total flux setpoint / Flux setp total
r1732[0...1]	CO: Direct-axis voltage setpoint / Direct U set
r1733[0...1]	CO: Quadrature-axis voltage setpoint / Quad U set

r1801[0...1]	CO: Pulse frequency / Pulse frequency
r2050[0...7]	CO: PROFIBUS PZD receive word / PZD recv word
r2089[0...4]	CO: Send binector-connector converter status word / Bin/con ZSW send
r2120	CO: Sum of fault and alarm buffer changes / Sum buffer changed
r2169	CO: Actual speed smoothed signals / n_act smth message
p2201[0...n]	CO: Technology controller, fixed value 1 / Tec_ctr fix val 1
p2202[0...n]	CO: Technology controller, fixed value 2 / Tec_ctr fix val 2
p2203[0...n]	CO: Technology controller, fixed value 3 / Tec_ctr fix val 3
p2204[0...n]	CO: Technology controller, fixed value 4 / Tec_ctr fix val 4
p2205[0...n]	CO: Technology controller, fixed value 5 / Tec_ctr fix val 5
p2206[0...n]	CO: Technology controller, fixed value 6 / Tec_ctr fix val 6
p2207[0...n]	CO: Technology controller, fixed value 7 / Tec_ctr fix val 7
p2208[0...n]	CO: Technology controller, fixed value 8 / Tec_ctr fix val 8
p2209[0...n]	CO: Technology controller, fixed value 9 / Tec_ctr fix val 9
p2210[0...n]	CO: Technology controller, fixed value 10 / Tec_ctr fix val 10
p2211[0...n]	CO: Technology controller, fixed value 11 / Tec_ctr fix val 11
p2212[0...n]	CO: Technology controller, fixed value 12 / Tec_ctr fix val 12
p2213[0...n]	CO: Technology controller, fixed value 13 / Tec_ctr fix val 13
p2214[0...n]	CO: Technology controller, fixed value 14 / Tec_ctr fix val 14
p2215[0...n]	CO: Technology controller, fixed value 15 / Tec_ctr fix val 15
r2224	CO: Technology controller, fixed value effective / Tec_ctr FixVal eff
r2245	CO: Technology controller mot. potentiometer setpoint before RFG / Tec_ctr mop befRFG
r2250	CO: Technology controller motorized potentiometer setpoint after RFG / Tec_ctr mop aftRFG
r2260	CO: Technology controller setpoint after ramp-function generator / Tec_ctr set aftRFG
r2266	CO: Technology controller actual value after filter / Tec_ctr act aftFlt
r2272	CO: Technology controller actual value scaled / Tech_ctrl act scal
r2273	CO: Technology controller error / Tec_ctrl error
p2291	CO: Technology controller maximum limiting / Tec_ctrl max_limit
p2292	CO: Technology controller minimum limiting / Tec_ctrl min_lim
r2294	CO: Technology controller output signal / Tec_ctrl outp_sig
p2295	CO: Technology controller output scaling / Tec_ctrl outp scal
r2344	CO: Technology controller last speed setpoint (smoothed) / Tec_ctrl n_setp_sm
p2900[0...n]	CO: Fixed value 1 [%] / Fixed value 1 [%]
p2901[0...n]	CO: Fixed value 2 [%] / Fixed value 2 [%]
r2902[0...14]	CO: Fixed values [%] / Fixed values [%]
p2930[0...n]	CO: Fixed value M [Nm] / Fixed value M [Nm]
r8784	CO: CAN status word / Status word

1.4.5 Connector/Binector Output Parameters

Product: SINAMICS G120C, Version: 4402100, Language: eng, Type: CO/BO

r0046.0...31	CO/BO: Missing enable sig / Missing enable sig
r0050.0...1	CO/BO: Command Data Set CDS effective / CDS effective
r0052.0...15	CO/BO: Status word 1 / ZSW 1
r0053.0...11	CO/BO: Status word 2 / ZSW 2
r0054.0...15	CO/BO: Control word 1 / STW 1
r0055.0...15	CO/BO: Supplementary control word / Suppl STW
r0056.0...15	CO/BO: Status word, closed-loop control / ZSW cl-loop ctrl
r0722.0...11	CO/BO: CU digital inputs, status / CU DI status

r0723.0...11	CO/BO: CU digital inputs, status inverted / CU DI status inv
r0835.2...8	CO/BO: Data set changeover status word / DDS_ZSW
r0836.0...1	CO/BO: Command Data Set CDS selected / CDS selected
r0898.0...14	CO/BO: Control word sequence control / STW seq_ctrl
r0899.0...13	CO/BO: Status word sequence control / ZSW seq_ctrl
r1198.0...15	CO/BO: Control word setpoint channel / STW setpoint chan
r1239.8...13	CO/BO: DC braking status word / DCBRK ZSW
r1406.4...15	CO/BO: Control word speed controller / STW n_ctrl
r1407.0...15	CO/BO: Status word speed controller / ZSW n_ctrl
r1408.0...14	CO/BO: Status word current controller / ZSW I_ctrl
r2129.0...15	CO/BO: Trigger word for faults and alarms / Trigger word
r2135.12...15	CO/BO: Status word faults/alarms 2 / ZSW fault/alarm 2
r2138.7...13	CO/BO: Control word faults/alarms / STW fault/alarm
r2139.0...12	CO/BO: Status word faults/alarms 1 / ZSW fault/alarm 1
r2197.0...13	CO/BO: Status word monitoring 1 / ZSW monitor 1
r2198.0...13	CO/BO: Status word monitoring 2 / ZSW monitor 2
r2199.0...11	CO/BO: Status word monitoring 3 / ZSW monitor 3
r2225.0	CO/BO: Technology controller fixed value selection status word / Tec_ctr FixVal ZSW
r2349.0...12	CO/BO: Technology controller status word / Tec_ctrl status
r3113.0...15	CO/BO: NAMUR message bit bar / NAMUR bit bar
r3333.0...3	CO/BO: 2-3-WIRE Output / 2-3-WIRE OUT
r3859.0	CO/BO: Compound braking status word / Compound Br ZSW
r9772.0...20	CO/BO: SI status (processor 1) / SI status P1
r9773.0...31	CO/BO: SI status (processor 1 + processor 2) / SI status P1+P2
r9872.0...20	CO/BO: SI status (processor 2) / SI Status P2

1.5 Quick commissioning (p0010 = 1)

The following parameters are necessary for quick commissioning (p0010 = 1).

Table 1-7 Quick commissioning (p0010 = 1)

Par.-No.	Name	Access level	Can be changed
p0010	Drive commissioning parameter filter	1	C(1)T
p0015	Macro drive unit	1	C(1)
p0100	IEC/NEMA mot stds	1	C(1)
p0205	Power unit application	1	C(1,2)
p0230	Drive filter type, motor side	1	C(1,2)
p0300	Motor type selection	2	C(1,3)
p0301	Motor code number selection	2	C(1,3)
p0304	Rated motor voltage	1	C(1,3)
p0305	Rated motor current	1	C(1,3)
p0307	Rated motor power	1	C(1,3)
p0308	Rated motor power factor	1	C(1,3)
p0309	Rated motor efficiency	1	C(1,3)
p0310	Rated motor frequency	1	C(1,3)
p0311	Rated motor speed	1	C(1,3)
p0316	Motor torque constant	4	C(1,3)UT
p0322	Maximum motor speed	1	C(1,3)
p0323	Maximum motor current	1	C(1,3)
p0335	Motor cooling type	2	C(1,3)T
p0500	Technology application	2	C(1,5)T
p0640	Current limit	2	C(1,3)UT
p0922	PROFIdrive telegram selection	1	C(1)T
p0970	Reset drive parameters	1	C(1,30)
p1080	Minimum speed	1	C(1)T
p1082	Maximum speed	1	C(1)T
p1120	Ramp-function generator ramp-up time	1	C(1)UT
p1121	Ramp-function generator ramp-down time	1	C(1)UT
p1135	OFF3 ramp-down time	2	C(1)UT
p1300	Open-loop/closed-loop control operating mode	2	C(1)T
p1900	Motor data identification and rotating measurement	2	C(1)T
p3900	Completion of quick commissioning	1	C(1)

When p0010 = 1 is chosen, p0003 (user access level) can be used to select the parameters to be accessed.

At the end of the quick commissioning sequence, set p3900 = 1 to carry out the necessary motor calculations and clear all other parameters (not included in p0010 = 1) to their default settings.

Note

This applies only in Quick Commissioning mode.

Function diagrams

2

Contents

2.1	Contents: function diagrams	2-280
2.2	Explanations for the function diagrams	2-284
2.3	Overview	2-289
2.4	Input/Output Terminals	2-297
2.5	Communication	2-303
2.6	Internal control/status words	2-330
2.7	Braking Control	2-347
2.8	Safety Integrated	2-349
2.9	Setpoint channel	2-355
2.10	V/f control	2-363
2.11	Vector control	2-367
2.12	Technology functions	2-383
2.13	Technology controller	2-385
2.14	Signals and monitoring functions	2-390
2.15	Faults and warnings	2-399
2.16	Data sets	2-404

2.1 Contents: function diagrams

2.2 Explanations for the function diagrams	2-284
1020 – Explanation of the symbols (Part 1)	2-285
1021 – Explanation of the symbols (Part 2)	2-286
1022 – Explanation of the symbols (Part 3)	2-287
1030 – Handling BICO technology	2-288
2.3 Overview	2-289
1520 – PROFIdrive/PROFIBUS	2-290
1530 – Internal control/status words, data sets	2-291
1550 – Setpoint channel	2-292
1690 – Vector control, V/f control	2-293
1700 – Vector control, speed control and generation of the torque limits	2-294
1710 – Vector control, current control	2-295
1750 – Monitoring functions, faults, alarms	2-296
2.4 Input/Output Terminals	2-297
2220 – Digital inputs, electrically isolated (DI0 ... DI5)	2-298
2223 – Analog inputs as Digital inputs (DI11)	2-299
2230 – Digital outputs (DO0 ... DO1)	2-300
9567 – Analog input 0 (AI0)	2-301
9573 – Analog output 0 (AO0)	2-302
2.5 Communication	2-303
2.5.1 Fieldbus Interface (USS, Modbus) (G120C USS/MB)	2-304
9310 – Configuration, addresses and diagnostics	2-305
9342 – STW1 control word interconnection	2-306
9352 – ZSW1 status word interconnection	2-307
9360 – Receive telegram, free interconnection via BICO	2-308
9370 – Send telegram, free interconnection via BICO	2-309
2.5.2 PROFIdrive / PROFIBUS (G120C DP)	2-310
2410 – PROFIBUS, addresses and diagnostics	2-311
2420 – Telegrams and Process Data (PZD)	2-312
2440 – PZD receive signals interconnection	2-313
2441 – STW1 control word interconnection (p2038 = 2)	2-314

2442 – STW1 control word interconnection (p2038 = 0)	2-315
2444 – STW3 control word interconnection (p2038 = 0)	2-316
2450 – PZD send signals interconnection	2-317
2451 – ZSW1 status word interconnection (p2038 = 2)	2-318
2452 – ZSW1 status word interconnection (p2038 = 0)	2-319
2454 – ZSW3 status word interconnection (p2038 = 0)	2-320
2468 – Receive telegram, free interconnection via BICO (p0922 = 999)	2-321
2470 – Send telegram, free interconnection via BICO (p0922 = 999)	2-322
2.5.3 CANopen (G120C CAN)	2-323
9204 – Receive telegram, free PDO mapping (p8744 = 2)	2-324
9206 – Receive telegram, Predefined Connection Set (p8744 = 1)	2-325
9208 – Send telegram, free PDO mapping (p8744 = 2)	2-326
9210 – Send telegram, Predefined Connection Set (p8744 = 1)	2-327
9220 – Control word, CANopen	2-328
9226 – Status word, CANopen	2-329
2.6 Internal control/status words	2-330
2501 – Control word, sequence control	2-331
2503 – Status word, sequence control	2-332
2505 – Control word, setpoint channel	2-333
2510 – Status word 1 (r0052)	2-334
2511 – Status word 2 (r0053)	2-335
2512 – Control word 1 (r0054)	2-336
2513 – Control word 2 (r0055)	2-337
2522 – Status word, speed controller	2-338
2526 – Status word, closed-loop control	2-339
2530 – Status word, current control	2-340
2534 – Status word, monitoring functions 1	2-341
2536 – Status word, monitoring functions 2	2-342
2537 – Status word, monitoring functions 3	2-343
2546 – Control word, faults/alarms	2-344
2548 – Status word, faults/alarms 1 and 2	2-345
2634 – Sequence control - Missing enable signals	2-346
2.7 Braking Control	2-347
2701 – Basic braking control	2-348

2.8 Safety Integrated	2-349
2800 – Basic Functions, Parameter Manager	2-350
2802 – Basic Functions, Monitoring functions and faults/alarms	2-351
2804 – Basic Functions, Status words	2-352
2810 – Basic Functions, STO: Safe Torque Off	2-353
2812 – Basic Functions, F-DI: Fail-safe Digital Input	2-354
2.9 Setpoint channel	2-355
3010 – Fixed speed setpoints, binary selection (p1016 = 2)	2-356
3011 – Fixed speed setpoints, direct selection (p1016 = 1)	2-357
3020 – Motorized potentiometer	2-358
3030 – Main/supplementary setpoint, setpoint scaling, jogging	2-359
3040 – Direction limitation and direction reversal	2-360
3050 – Skip frequency bands and frequency limitations	2-361
3070 – Extended ramp-function generator	2-362
2.10 V/f control	2-363
6300 – V/f characteristic and voltage boost	2-364
6310 – Resonance damping and slip compensation	2-365
6320 – Vdc_max controller and Vdc_min controller (V7f control)	2-366
2.11 Vector control	2-367
6030 – Speed setpoint, droop	2-368
6040 – Speed controller	2-369
6060 – Torque setpoint	2-370
6220 – Vdc_max controller and Vdc_min controller (Vector control)	2-371
6630 – Upper/lower torque limit	2-372
6640 – Current/power/torque limits	2-373
6710 – Current setpoint filter	2-374
6714 – Iq and Id controllers	2-375
6721 – Id setpoint (PEM, p0300 = 2xx)	2-376
6722 – Field weakening characteristic, Id setpoint (ASM, p0300 = 1)	2-377
6723 – Field weakening controller, flux controller (ASM, p0300 = 1)	2-378
6724 – Field weakening controller (PEM, p0300 = 2)	2-379
6730 – Interface of the Power Module (ASM, p0300 = 1)	2-380
6731 – Interface of the Power Module (PEM, p0300 = 2)	2-381
6799 – Display signals	2-382

2.12 Technology functions	2-383
7017 – DC brake (p0300 = 1)	2-384
2.13 Technology controller	2-385
7950 – Fixed values, binary selection (p2216 = 2)	2-386
7951 – Fixed values, direct selection (p2216 = 1)	2-387
7954 – Motorized potentiometer	2-388
7958 – Closed-loop control	2-389
2.14 Signals and monitoring functions	2-390
8010 – Speed signals 1	2-391
8011 – Speed signals 2	2-392
8012 – Torque signals, motor locked/stalled	2-393
8014 – Thermal monitoring, power module	2-394
8016 – Thermal monitoring, motor	2-395
8017 – Thermal I2t motor model (PEM, p0300 = 2xx)	2-396
8020 – Monitoring functions 1	2-397
8021 – Monitoring functions 2	2-398
2.15 Faults and warnings	2-399
8060 – Fault buffer	2-400
8065 – Warning buffer	2-401
8070 – Fault/warning trigger word (r2129)	2-402
8075 – Fault/warning configuration	2-403
2.16 Data sets	2-404
8560 – Command Data Sets (CDS)	2-405

2.2 Explanations for the function diagrams

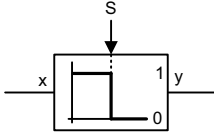
Function diagrams

1020 – Explanation of the symbols (Part 1)	2-285
1021 – Explanation of the symbols (Part 2)	2-286
1022 – Explanation of the symbols (Part 3)	2-287
1030 – Handling BICO technology	2-288

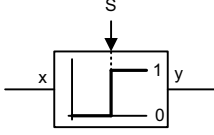
Fig. 2-1 1020 – Explanation of the symbols (Part 1)

Parameters	Connectors	Binectors	Data sets																																								
<table border="1" style="width: 100%; border-collapse: collapse;"> <thead> <tr> <th style="width: 20%;">Symbol</th> <th style="width: 80%;">Meaning</th> </tr> </thead> <tbody> <tr> <td style="text-align: center;">Parameter name [Unit] rxxx[y..z] ↑</td> <td>Monitoring parameter with unit [Unit] and index range [y..z] or data set [C/D]</td> </tr> <tr> <td style="text-align: center;">Parameter name from ... to [Unit] pxxx[C/D] (Def) ↓</td> <td>Setting parameter with min/max value and unit [Unit] data set [C/D] and factory setting (Def) *</td> </tr> </tbody> </table>	Symbol	Meaning	Parameter name [Unit] rxxx[y..z] ↑	Monitoring parameter with unit [Unit] and index range [y..z] or data set [C/D]	Parameter name from ... to [Unit] pxxx[C/D] (Def) ↓	Setting parameter with min/max value and unit [Unit] data set [C/D] and factory setting (Def) *	<table border="1" style="width: 100%; border-collapse: collapse;"> <thead> <tr> <th style="width: 20%;">Symbol</th> <th style="width: 80%;">Meaning</th> </tr> </thead> <tbody> <tr> <td style="text-align: center;">Parameter name pxxx[y..z] ⊲ (Def)</td> <td>Connector input CI with index range [y..z] or data set [C/D] and factory setting (Def) *</td> </tr> <tr> <td style="text-align: center;">Parameter name [Unit] rxxx[y..z] ⊳</td> <td>Connector output CO with unit [Unit] and with index range [y..z]</td> </tr> </tbody> </table> <table border="1" style="width: 100%; border-collapse: collapse;"> <thead> <tr> <th colspan="2" style="text-align: center;">Connectors/binectors</th> </tr> <tr> <th style="width: 20%;">Symbol</th> <th style="width: 80%;">Meaning</th> </tr> </thead> <tbody> <tr> <td style="text-align: center;">Parameter name rxxx ⊳</td> <td rowspan="2" style="text-align: center;">Connector/binector output CO/BO</td> </tr> <tr> <td style="text-align: center;">rxxx ⊲</td> </tr> </tbody> </table>	Symbol	Meaning	Parameter name pxxx[y..z] ⊲ (Def)	Connector input CI with index range [y..z] or data set [C/D] and factory setting (Def) *	Parameter name [Unit] rxxx[y..z] ⊳	Connector output CO with unit [Unit] and with index range [y..z]	Connectors/binectors		Symbol	Meaning	Parameter name rxxx ⊳	Connector/binector output CO/BO	rxxx ⊲	<table border="1" style="width: 100%; border-collapse: collapse;"> <thead> <tr> <th style="width: 20%;">Symbol</th> <th style="width: 80%;">Meaning</th> </tr> </thead> <tbody> <tr> <td style="text-align: center;">Parameter name pxxx[y..z] ⊲ (Def.y)</td> <td>Binector input BI with with index range [y..z] or data set [C/D] and factory setting.bit number (Def)</td> </tr> <tr> <td style="text-align: center;">Parameter name rxxx ⊳</td> <td>Binector output BO</td> </tr> </tbody> </table> <table border="1" style="width: 100%; border-collapse: collapse;"> <thead> <tr> <th colspan="2" style="text-align: center;">Pre-assigned connectors</th> </tr> <tr> <th style="width: 20%;">Symbol</th> <th style="width: 80%;">Meaning</th> </tr> </thead> <tbody> <tr> <td style="text-align: center;">Parameter name from ... to [Unit] pxxx[D] (Def) ⊲</td> <td>Setting parameter with min/max value and unit [Unit] data set [D] and factory setting (Def)</td> </tr> </tbody> </table>	Symbol	Meaning	Parameter name pxxx[y..z] ⊲ (Def.y)	Binector input BI with with index range [y..z] or data set [C/D] and factory setting.bit number (Def)	Parameter name rxxx ⊳	Binector output BO	Pre-assigned connectors		Symbol	Meaning	Parameter name from ... to [Unit] pxxx[D] (Def) ⊲	Setting parameter with min/max value and unit [Unit] data set [D] and factory setting (Def)	<table border="1" style="width: 100%; border-collapse: collapse;"> <thead> <tr> <th style="width: 20%;">Symbol</th> <th style="width: 80%;">Meaning</th> </tr> </thead> <tbody> <tr> <td style="text-align: center;">pxxx[C] ↓</td> <td>Parameter belongs to the Command Data Set (CDS).</td> </tr> <tr> <td style="text-align: center;">pxxx[D] ↓</td> <td>Parameter belongs to the Drive Data Set (DDS).</td> </tr> </tbody> </table>	Symbol	Meaning	pxxx[C] ↓	Parameter belongs to the Command Data Set (CDS).	pxxx[D] ↓	Parameter belongs to the Drive Data Set (DDS).			
Symbol	Meaning																																										
Parameter name [Unit] rxxx[y..z] ↑	Monitoring parameter with unit [Unit] and index range [y..z] or data set [C/D]																																										
Parameter name from ... to [Unit] pxxx[C/D] (Def) ↓	Setting parameter with min/max value and unit [Unit] data set [C/D] and factory setting (Def) *																																										
Symbol	Meaning																																										
Parameter name pxxx[y..z] ⊲ (Def)	Connector input CI with index range [y..z] or data set [C/D] and factory setting (Def) *																																										
Parameter name [Unit] rxxx[y..z] ⊳	Connector output CO with unit [Unit] and with index range [y..z]																																										
Connectors/binectors																																											
Symbol	Meaning																																										
Parameter name rxxx ⊳	Connector/binector output CO/BO																																										
rxxx ⊲																																											
Symbol	Meaning																																										
Parameter name pxxx[y..z] ⊲ (Def.y)	Binector input BI with with index range [y..z] or data set [C/D] and factory setting.bit number (Def)																																										
Parameter name rxxx ⊳	Binector output BO																																										
Pre-assigned connectors																																											
Symbol	Meaning																																										
Parameter name from ... to [Unit] pxxx[D] (Def) ⊲	Setting parameter with min/max value and unit [Unit] data set [D] and factory setting (Def)																																										
Symbol	Meaning																																										
pxxx[C] ↓	Parameter belongs to the Command Data Set (CDS).																																										
pxxx[D] ↓	Parameter belongs to the Drive Data Set (DDS).																																										
<table border="1" style="width: 100%; border-collapse: collapse;"> <thead> <tr> <th colspan="2" style="text-align: center;">Information on parameters, binectors, connectors</th> </tr> <tr> <th style="width: 20%;">Symbol</th> <th style="width: 80%;">Meaning</th> </tr> </thead> <tbody> <tr> <td style="text-align: center;">Parameter name</td> <td>Parameter name (up to 18 characters) [dimension unit]</td> </tr> <tr> <td style="text-align: center;">[Unit]</td> <td></td> </tr> <tr> <td style="text-align: center;">rxxx[y] or rxxx[y..z] or rxxx[y].ww or rxxx.ww</td> <td> "r" = monitoring parameter. These parameters are read-only "xxxx" stands for the parameter number "[y]" specifies the applicable index, "[y..z]" specifies the index range ".ww" specifies the bit number (e.g. 0...15). </td> </tr> <tr> <td style="text-align: center;">pxxx[y] or pxxx[y..z] or pxxx[y].ww or pxxx.ww</td> <td> "p" = setting parameter. These parameters can be changed. "xxxx" stands for the parameter number, "[y]" specifies the applicable index, "[y..z]" specifies the index range ".ww" specifies the bit number (e.g. 0...15). </td> </tr> <tr> <td style="text-align: center;">from ... to</td> <td>Value range.</td> </tr> <tr> <td style="text-align: center;">(xxx[y].ww)</td> <td>Parameter number (xxxx) with Index number [y] and bit number .ww.</td> </tr> <tr> <td style="text-align: center;">(Def)</td> <td>Factory setting.</td> </tr> <tr> <td style="text-align: center;">(Def.w)</td> <td>Factory setting with bit number as prefix.</td> </tr> <tr> <td style="text-align: center;">[aaaa.b]</td> <td>Diagram references for setting parameters that occur a multiple number of times. [Function diagram number, signal path]</td> </tr> </tbody> </table>		Information on parameters, binectors, connectors		Symbol	Meaning	Parameter name	Parameter name (up to 18 characters) [dimension unit]	[Unit]		rxxx[y] or rxxx[y..z] or rxxx[y].ww or rxxx.ww	"r" = monitoring parameter. These parameters are read-only "xxxx" stands for the parameter number "[y]" specifies the applicable index, "[y..z]" specifies the index range ".ww" specifies the bit number (e.g. 0...15).	pxxx[y] or pxxx[y..z] or pxxx[y].ww or pxxx.ww	"p" = setting parameter. These parameters can be changed. "xxxx" stands for the parameter number, "[y]" specifies the applicable index, "[y..z]" specifies the index range ".ww" specifies the bit number (e.g. 0...15).	from ... to	Value range.	(xxx[y].ww)	Parameter number (xxxx) with Index number [y] and bit number .ww.	(Def)	Factory setting.	(Def.w)	Factory setting with bit number as prefix.	[aaaa.b]	Diagram references for setting parameters that occur a multiple number of times. [Function diagram number, signal path]	<table border="1" style="width: 100%; border-collapse: collapse;"> <thead> <tr> <th colspan="2" style="text-align: center;">Cross references between diagrams</th> </tr> <tr> <th style="width: 20%;">Symbol</th> <th style="width: 80%;">Meaning</th> </tr> </thead> <tbody> <tr> <td style="text-align: center;">Signal path Text → [aaaa.b]</td> <td>The function diagrams are sub-divided into signal paths 1...8 in order to facilitate orientation. Text = Unique signal designation aaaa = Signal goes to target diagram aaa b = Signal goes to signal path b</td> </tr> <tr> <td style="text-align: center;">[cccc.d] ← Text</td> <td>Text = Unique signal designation cccc = Signal comes from source diagram cccc d = Signal comes from signal path d</td> </tr> <tr> <td colspan="2">To "function diagram name" [aaaa.b] = binectors.</td> </tr> </tbody> </table> <table border="1" style="width: 100%; border-collapse: collapse;"> <thead> <tr> <th colspan="2" style="text-align: center;">Cross references for control bits</th> </tr> <tr> <th style="width: 20%;">Symbol</th> <th style="width: 80%;">Meaning</th> </tr> </thead> <tbody> <tr> <td style="text-align: center;">pxxxx</td> <td>pxxxx= Original parameter of signal</td> </tr> <tr> <td style="text-align: center;">[aaaa.b]</td> <td>aaaa = Signal comes from source diagram aaaa b = Signal comes from signal path b</td> </tr> </tbody> </table>		Cross references between diagrams		Symbol	Meaning	Signal path Text → [aaaa.b]	The function diagrams are sub-divided into signal paths 1...8 in order to facilitate orientation. Text = Unique signal designation aaaa = Signal goes to target diagram aaa b = Signal goes to signal path b	[cccc.d] ← Text	Text = Unique signal designation cccc = Signal comes from source diagram cccc d = Signal comes from signal path d	To "function diagram name" [aaaa.b] = binectors.		Cross references for control bits		Symbol	Meaning	pxxxx	pxxxx= Original parameter of signal	[aaaa.b]	aaaa = Signal comes from source diagram aaaa b = Signal comes from signal path b
Information on parameters, binectors, connectors																																											
Symbol	Meaning																																										
Parameter name	Parameter name (up to 18 characters) [dimension unit]																																										
[Unit]																																											
rxxx[y] or rxxx[y..z] or rxxx[y].ww or rxxx.ww	"r" = monitoring parameter. These parameters are read-only "xxxx" stands for the parameter number "[y]" specifies the applicable index, "[y..z]" specifies the index range ".ww" specifies the bit number (e.g. 0...15).																																										
pxxx[y] or pxxx[y..z] or pxxx[y].ww or pxxx.ww	"p" = setting parameter. These parameters can be changed. "xxxx" stands for the parameter number, "[y]" specifies the applicable index, "[y..z]" specifies the index range ".ww" specifies the bit number (e.g. 0...15).																																										
from ... to	Value range.																																										
(xxx[y].ww)	Parameter number (xxxx) with Index number [y] and bit number .ww.																																										
(Def)	Factory setting.																																										
(Def.w)	Factory setting with bit number as prefix.																																										
[aaaa.b]	Diagram references for setting parameters that occur a multiple number of times. [Function diagram number, signal path]																																										
Cross references between diagrams																																											
Symbol	Meaning																																										
Signal path Text → [aaaa.b]	The function diagrams are sub-divided into signal paths 1...8 in order to facilitate orientation. Text = Unique signal designation aaaa = Signal goes to target diagram aaa b = Signal goes to signal path b																																										
[cccc.d] ← Text	Text = Unique signal designation cccc = Signal comes from source diagram cccc d = Signal comes from signal path d																																										
To "function diagram name" [aaaa.b] = binectors.																																											
Cross references for control bits																																											
Symbol	Meaning																																										
pxxxx	pxxxx= Original parameter of signal																																										
[aaaa.b]	aaaa = Signal comes from source diagram aaaa b = Signal comes from signal path b																																										
*) For some parameters the value for the factory setting is calculated during commissioning for they are dependent on Power Module and motor (see Section 1.1.1 "Calculated").																																											
1	2	3	4	5	6	7	8																																				
Explanations for the function diagrams						FP_1020_97_61.vsd	Function diagram	- 1020 -																																			
Explanation of the symbols (Part 1)						13.12.2010 V4.4	SINAMICS G120C																																				

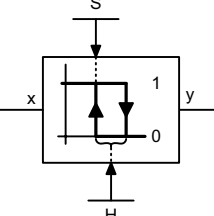
Symbols for computational and closed-loop control functions



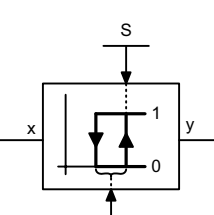
Threshold value switch 1/0
Outputs at y a logical "1" if $x < S$.



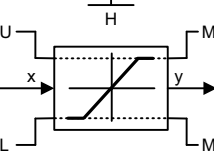
Threshold value switch 0/1
Outputs at y a logical "1" if $x > S$.



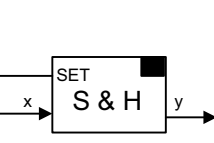
Threshold value 1/0 with hysteresis
Outputs a logical "1" at y if $x < S$.
If $x >= S + H$ then y returns to 0.



Threshold value 0/1 with hysteresis
Outputs a logical "1" at y if $x > S$.
If $x <= S - H$ then y returns to 0.

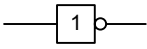


Limiter
x is limited to the upper limit LU and the lower limit LL and output at y.
The digital signals MLU and MLL have the value "1", if the upper or lower limit is active.

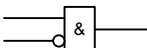


Sample & Hold element
Sample and hold element.
 $y = x$ if SET = 1
(not retentively saved at POWER OFF)

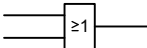
Symbols for logic functions



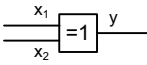
Logical inversion



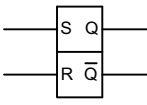
AND element with logical inversion of an input signal



OR element

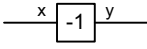


Exclusiv-OR/XOR
 $y = 1$ when $x_1 \neq x_2$ is.

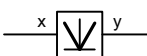


R/S flip-flop
S = setting input
R = reset input
Q = non-inverted output
Q̄ = inverted output

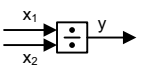
Symbols for computational and closed-loop control functions



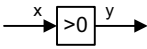
Sign reversal
 $y = -x$



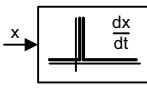
Absolute value generator
 $y = |x|$



Divider
 $y = \frac{x_1}{x_2}$

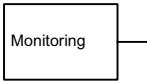


Comparator
Output y = a logical "1", if the analog signal $x > 0$, i.e. is positive.



Differentiator
 $y = \frac{dx}{dt}$

Symbol for monitoring



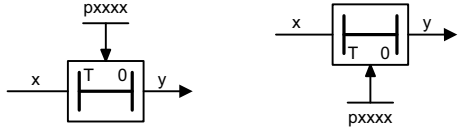
Monitoring

1	2	3	4	5	6	7	8
Explanations for the function diagrams					FP_1021_97_61.vsd	Function diagram	
Explanation of the symbols (Part 2)					13.12.2010 V4.4	SINAMICS G120C	
							- 1021 -

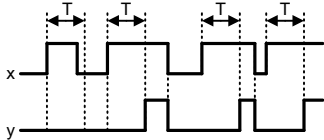
Fig. 2-2 1021 – Explanation of the symbols (Part 2)

Fig. 2-3 1022 – Explanation of the symbols (Part 3)

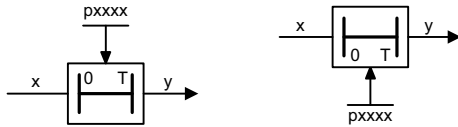
Switch-on delay



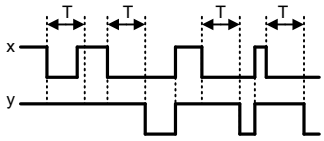
The digital signal x must have the value "1" without any interruption during the time T before output y changes to "1".



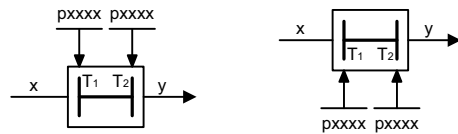
Switch-off delay



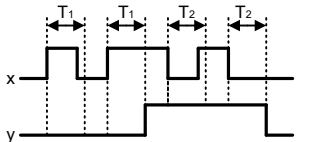
The digital signal x must have the value "0" without interruption during the time T before output y changes to "0".



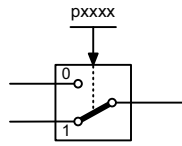
Delay (switch-on and switch-off)



The digital signal x must have the value "1" without interruption during time T1 or must have the value "0" during time T2 before output y changes its signal state.



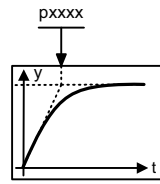
Switch symbol



Simple changeover switch

The switch position is shown according to the factory setting (in this case, switch position 1 in the default state on delivery).

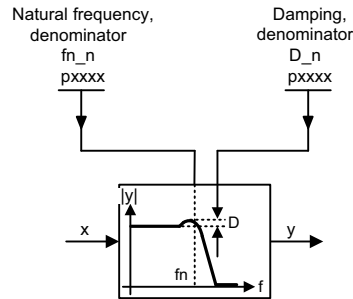
PT1 element



Delay element, first order.

pxxxx = time constant

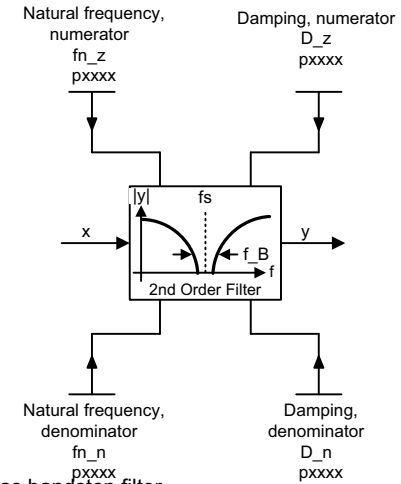
PT2 low pass



Transfer function

$$H(s) = \frac{1}{\left(\frac{s}{2\pi f_{n_n}}\right)^2 + \frac{2 \cdot D_n}{2\pi f_{n_n}} \cdot s + 1}$$

2nd-order filter (bandstop/general filter)



Used as bandstop filter

- center frequency fs: fn_z = fs

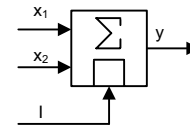
- bandwidth f_B: fn_n = fs, D_z = 0

$$D_n = \frac{f_B}{2 \cdot fs}$$

Transfer function when used as general filter

$$H(s) = \frac{\left(\frac{s}{2\pi f_{n_z}}\right)^2 + \frac{2 \cdot D_z}{2\pi f_{n_z}} \cdot s + 1}{\left(\frac{s}{2\pi f_{n_n}}\right)^2 + \frac{2 \cdot D_n}{2\pi f_{n_n}} \cdot s + 1}$$

Analog adder can be activated

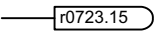


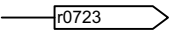
The following applies to I = 1 signal: y = x1 + x2

The following applies to I = 0 signal: y = x1

1	2	3	4	5	6	7	8
Explanations for the function diagrams					FP_1022_97_61.vsd	Function diagram	
Explanation of the symbols (Part 3)					13.12.2010 V4.4	SINAMICS G120C	
							- 1022 -

Handling BICO technology

Binector: 

Connector: 

Connectors are "analog signals" that can be freely interconnected (e.g. percentage variables, speeds or torques).
 Connectors are also "CO:" display parameters (CO = Connector Output).

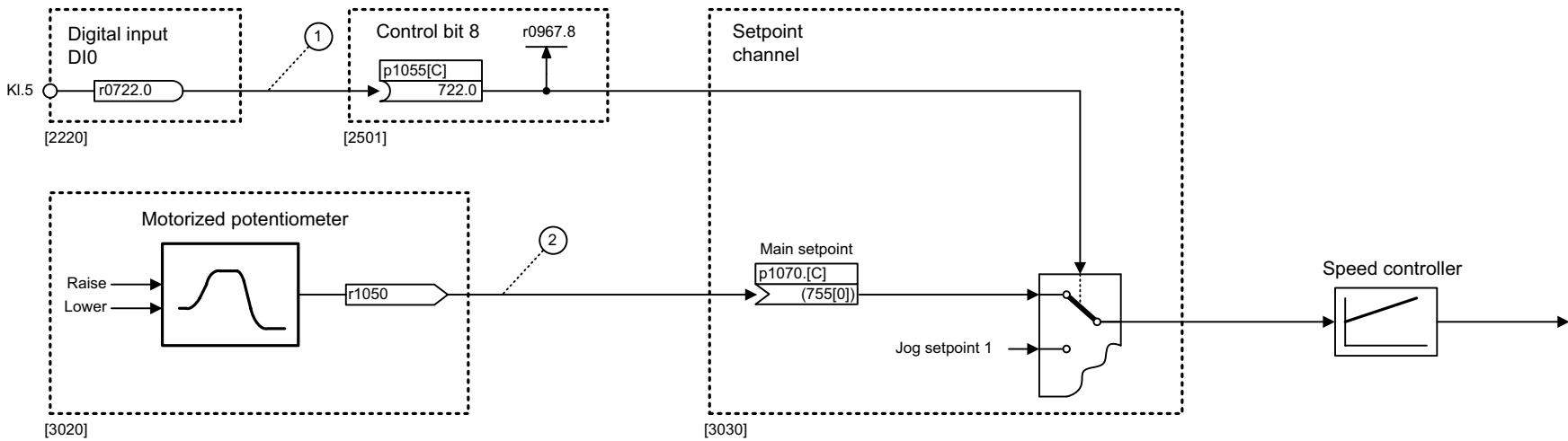
Parameterization:

At the signal destination, the required binector or connector is selected using appropriate parameters:

- "BI:" parameter for binectors (BI = Binector Input)
- or
- "CI:" parameter for connectors (CI = Connector Input)

Example:

The main setpoint for the speed controller (CI: p1070) should be received from the output of the motorized potentiometer (CO: r1050) and the "jog" command (BI: p1055) from digital input DI0 (BO: r0722.0, Terminal 5 (K1.5)) on the CU.



Parameterizing steps:

- ① p1055[0] = 722.0 Terminal 5 (K1.5) acts as "Jog bit 0".
- ② p1070[0] = 1050 The output of the motorized potentiometer acts as main setpoint for the speed controller.

1	2	3	4	5	6	7	8
Explanations for the function diagrams					FP_1030_97_61.vsd	Function diagram	
Handling BICO technology					13.12.2010 V4.4	SINAMICS G120C	
- 1030 -							

Fig. 2-4 1030 – Handling BICO technology

2.3 Overview

Function diagrams

1520 – PROFIdrive/PROFIBUS	2-290
1530 – Internal control/status words, data sets	2-291
1550 – Setpoint channel	2-292
1690 – Vector control, V/f control	2-293
1700 – Vector control, speed control and generation of the torque limits	2-294
1710 – Vector control, current control	2-295
1750 – Monitoring functions, faults, alarms	2-296

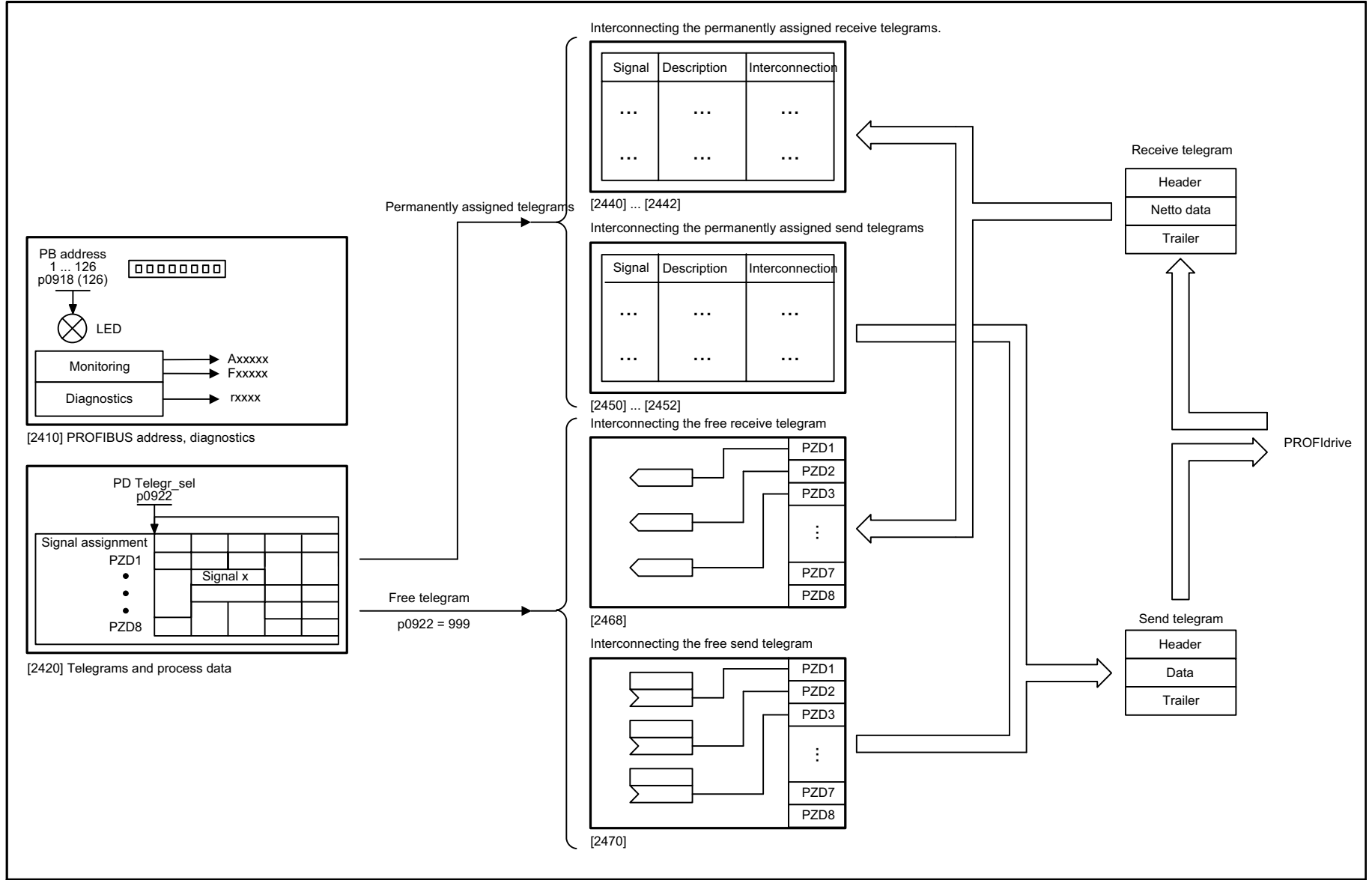


Fig. 2-5 1520 – PROFdrive/PROFIBUS

1	2	3	4	5	6	7	8
Overviews					FP_1520_97_61.vsd	Function diagram	
PROFdrive / PROFIBUS					13.12.2010 V4.4	SINAMICS G120C DP	
							- 1520 -

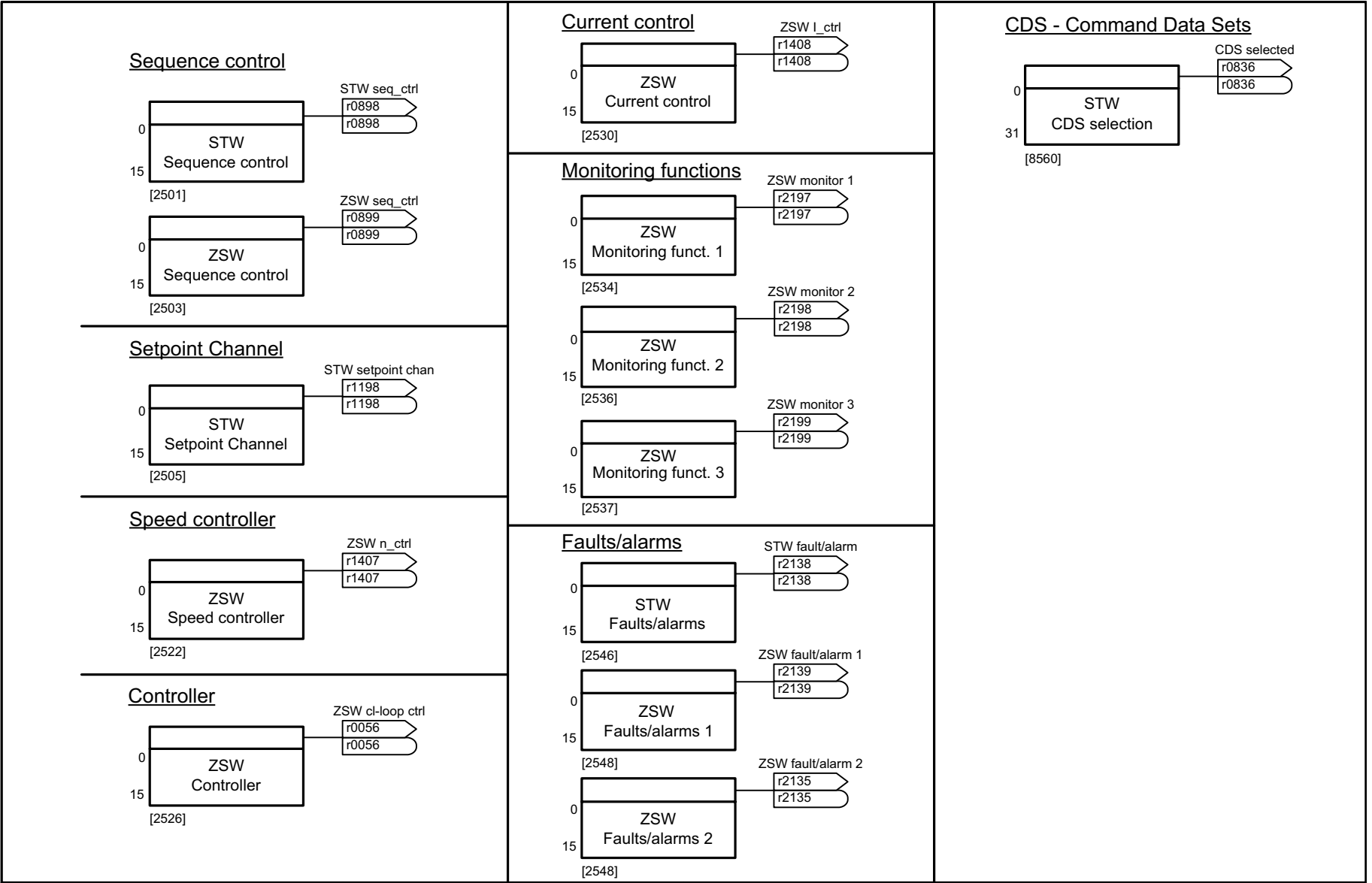


Fig. 2-6 1530 – Internal control/status words, data sets

1	2	3	4	5	6	7	8
Overviews					FP_1530_97_05.vsd	Function diagram	
Internal control/status words, data sets					13.12.2010 V4.4	SINAMICS G120C	
							- 1530 -

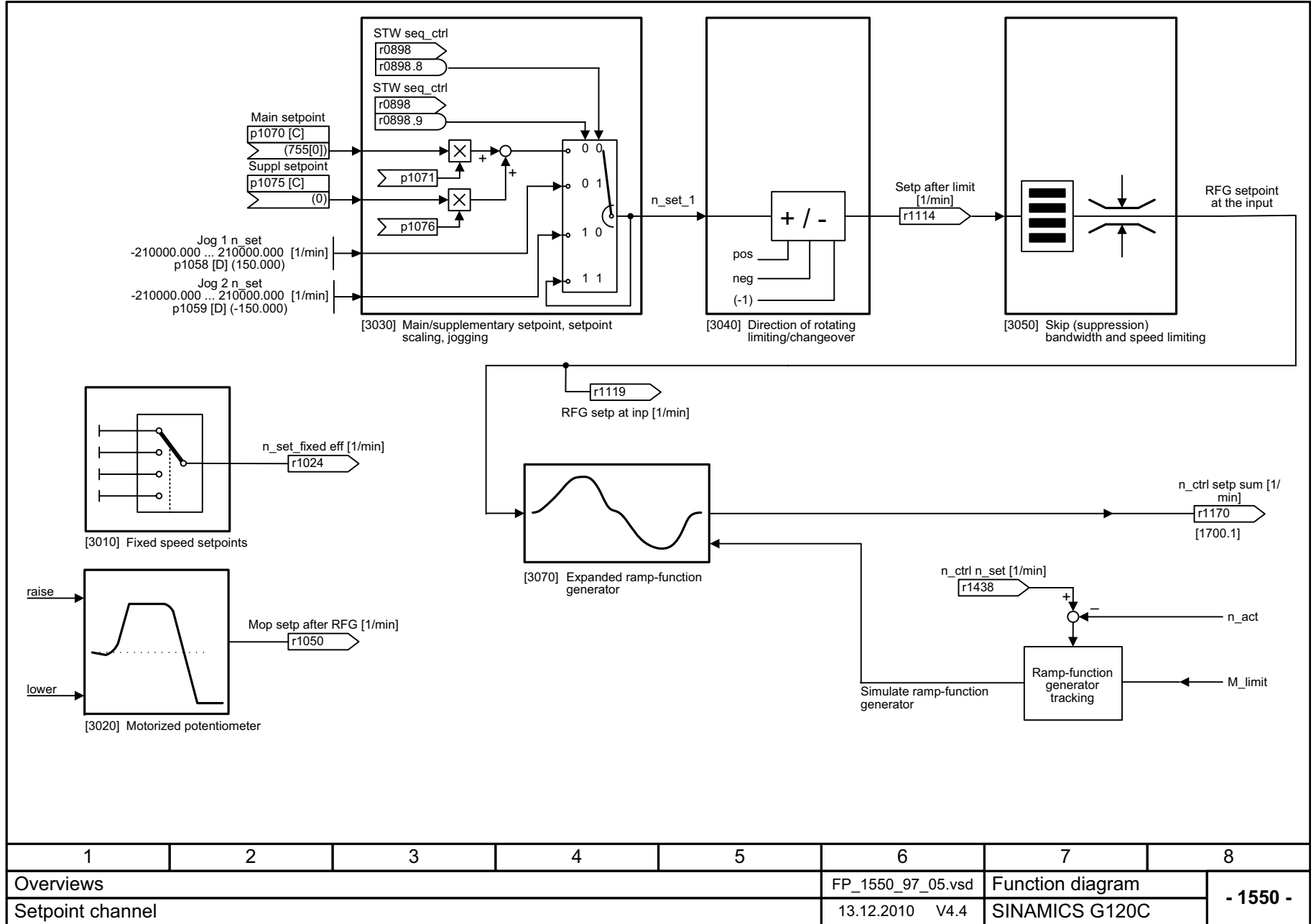
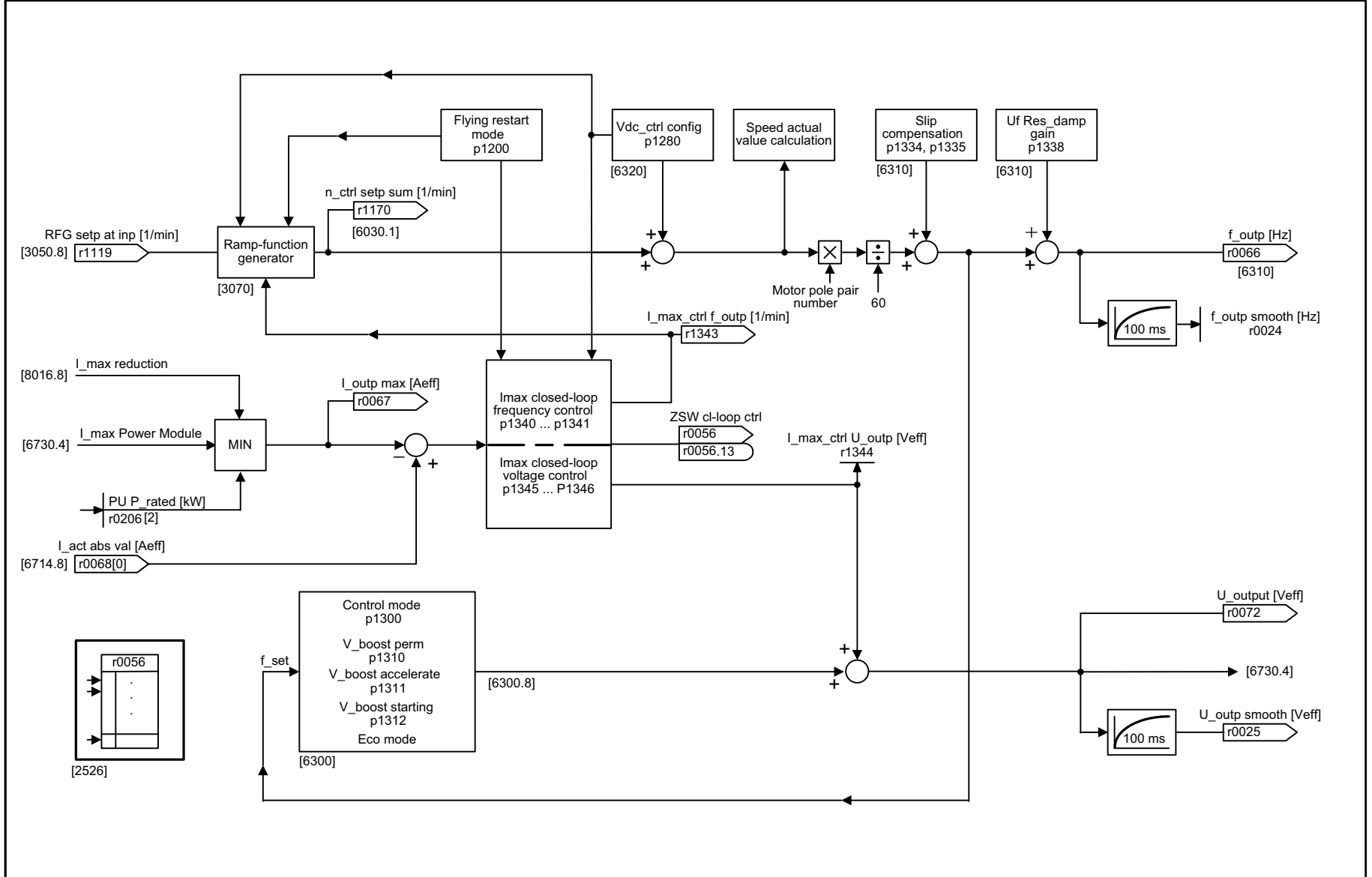


Fig. 2-7 1550 – Setpoint channel

1	2	3	4	5	6	7	8
Overviews					FP_1550_97_05.vsd	Function diagram	
Setpoint channel					13.12.2010 V4.4	SINAMICS G120C	
							- 1550 -

2-292

Fig. 2-8 1690 – Vector control, V/f control



1	2	3	4	5	6	7	8
Overviews					FP_1690_97_05.vsd	Function diagram	
Vector control, V/f control					13.12.2010 V4.4	SINAMICS G120C	
							- 1690 -

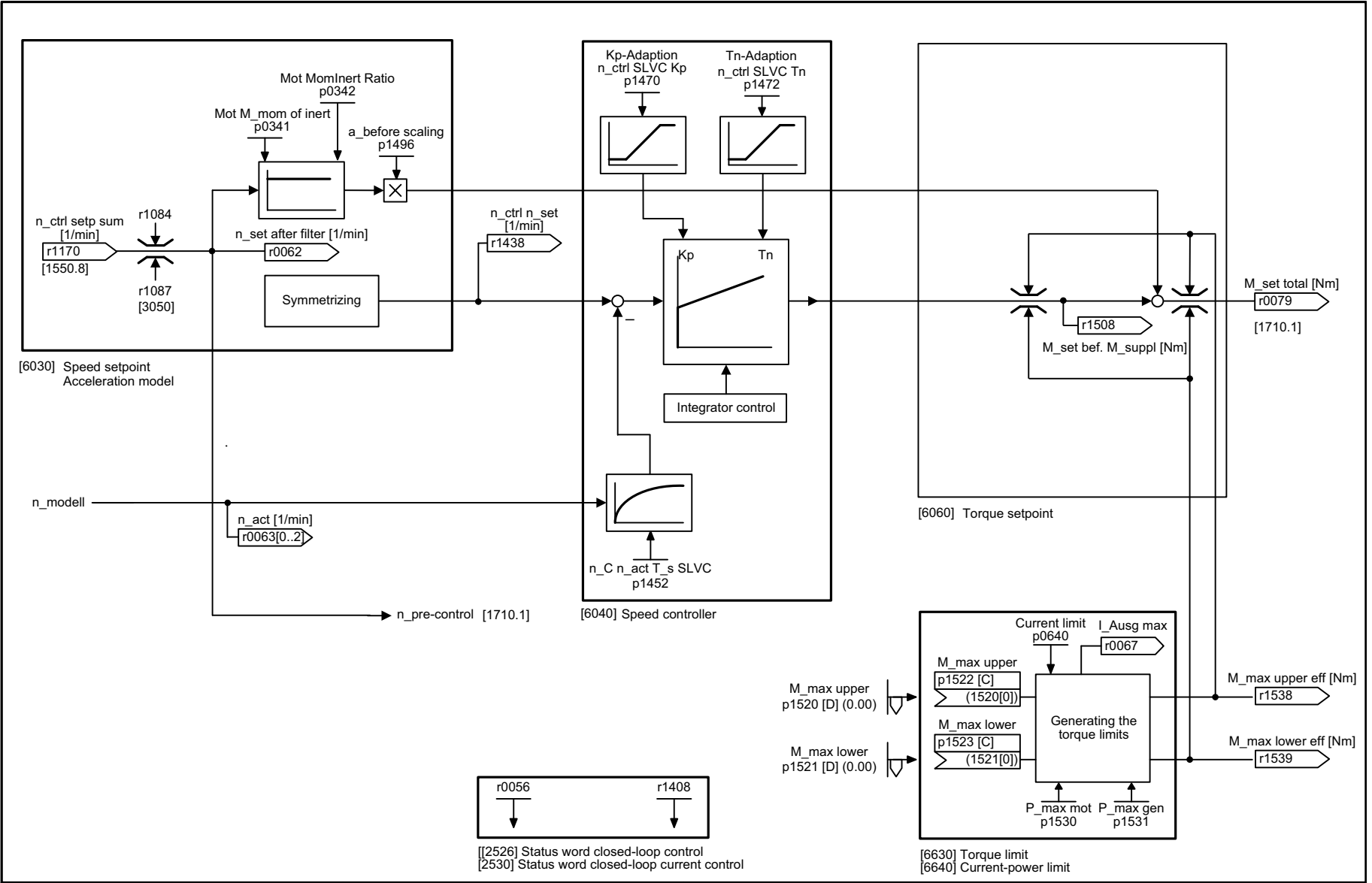


Fig. 2-9 1700 – Vector control, speed control and generation of the torque limits

1	2	3	4	5	6	7	8
Overviews					FP_1700_97_05.vsd	Function diagram	
Vector control, speed control and generation of the torque limits					13.12.2010 V4.4	SINAMICS G120C	
							- 1700 -

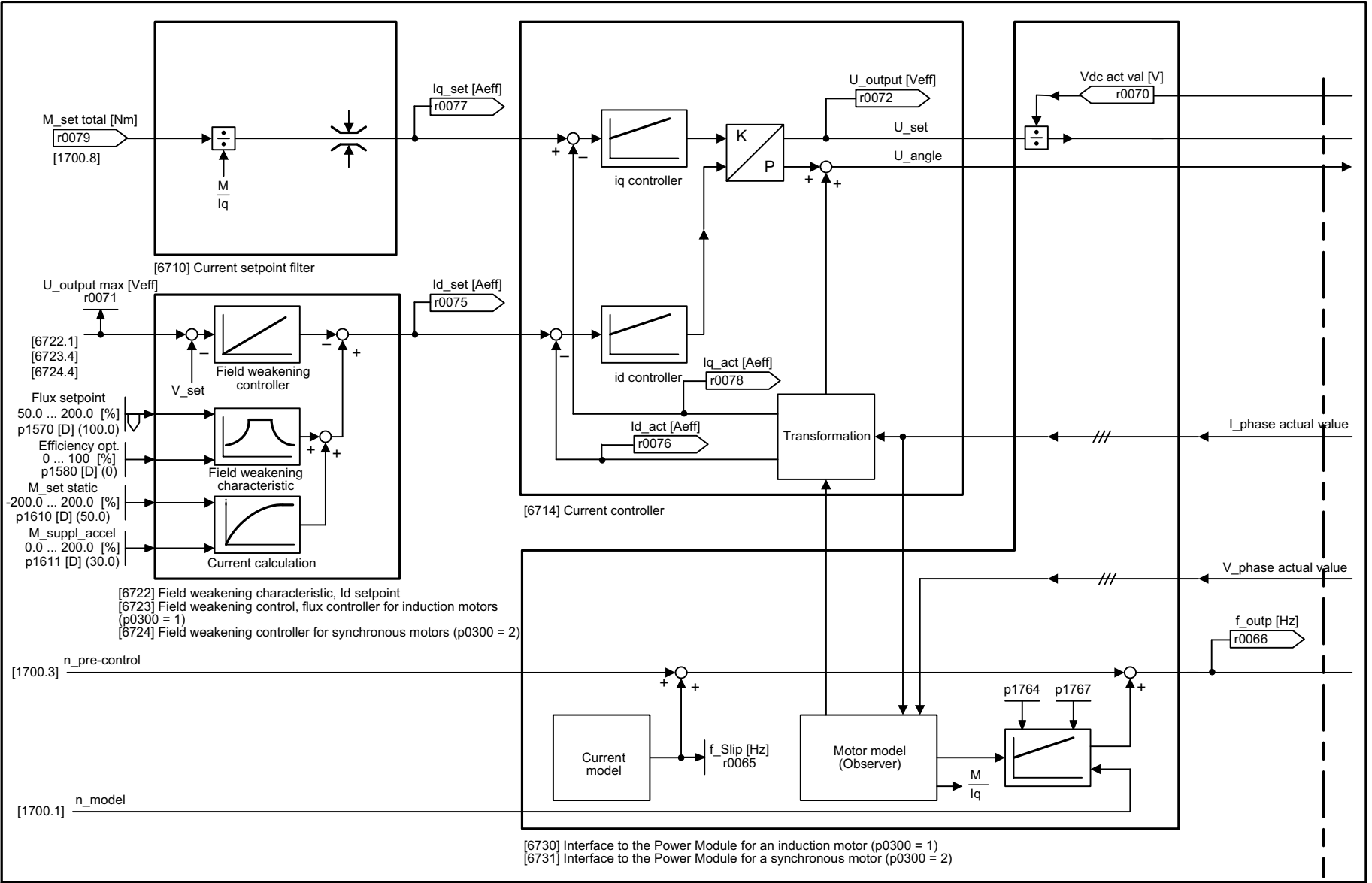


Fig. 2-10 1710 – Vector control, current control

1	2	3	4	5	6	7	8
Overviews					FP_1710_97_05.vsd	Function diagram	
Vector control, current control					13.12.2010 V4.4	SINAMICS G120C	
							- 1710 -

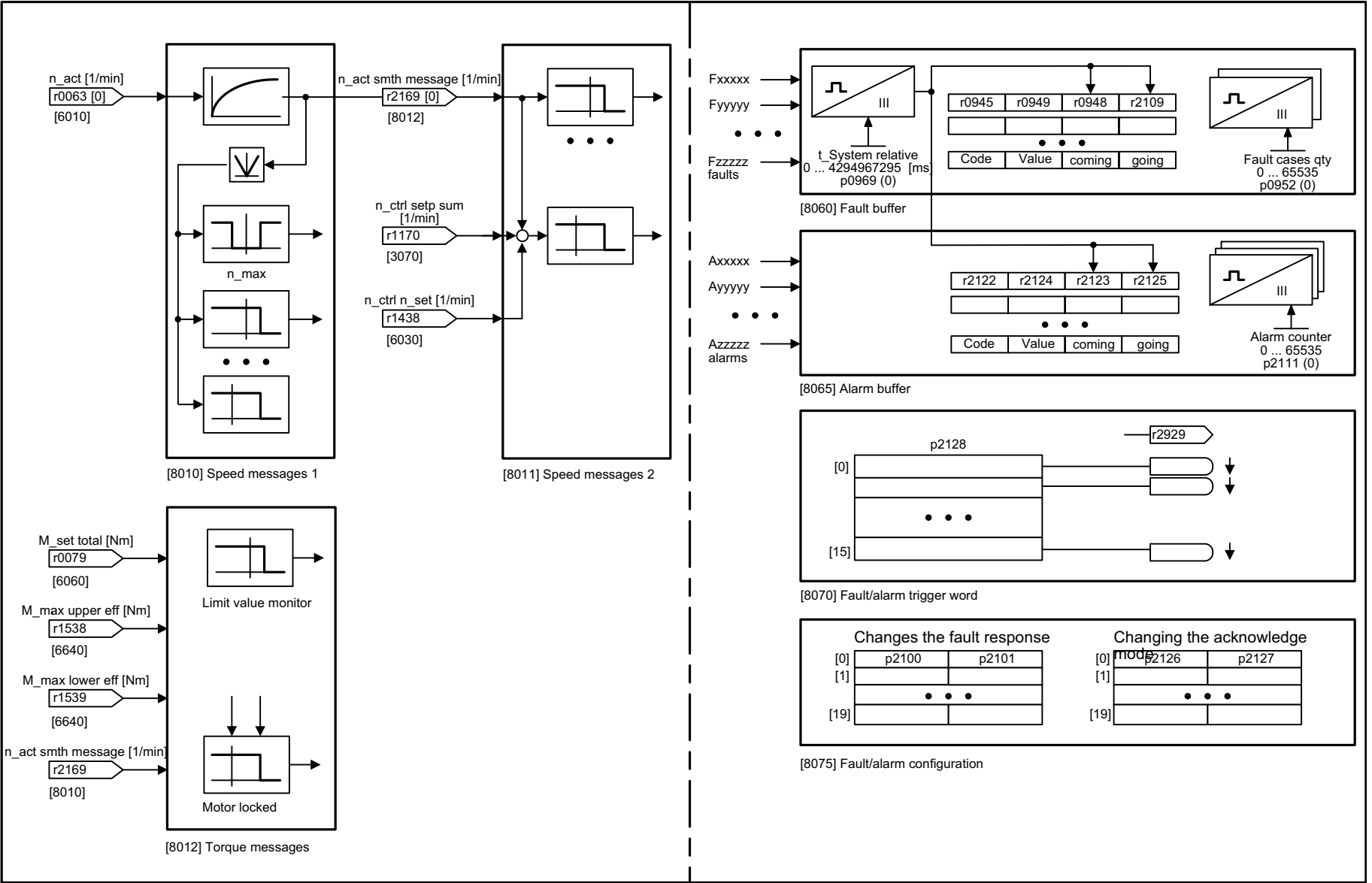


Fig. 2-11 1750 – Monitoring functions, faults, alarms

1	2	3	4	5	6	7	8
Overviews					FP_1750_97_05.vsd	Function diagram	
Monitoring functions, faults, alarms					13.12.2010 V4.4	SINAMICS G120C	
							- 1750 -

2.4 Input/Output Terminals

Function diagrams

2220 – Digital inputs, electrically isolated (DI0 ... DI5)	2-298
2223 – Analog inputs as Digital inputs (DI11)	2-299
2230 – Digital outputs (DO0 ... DO1)	2-300
9567 – Analog input 0 (AI0)	2-301
9573 – Analog output 0 (AO0)	2-302

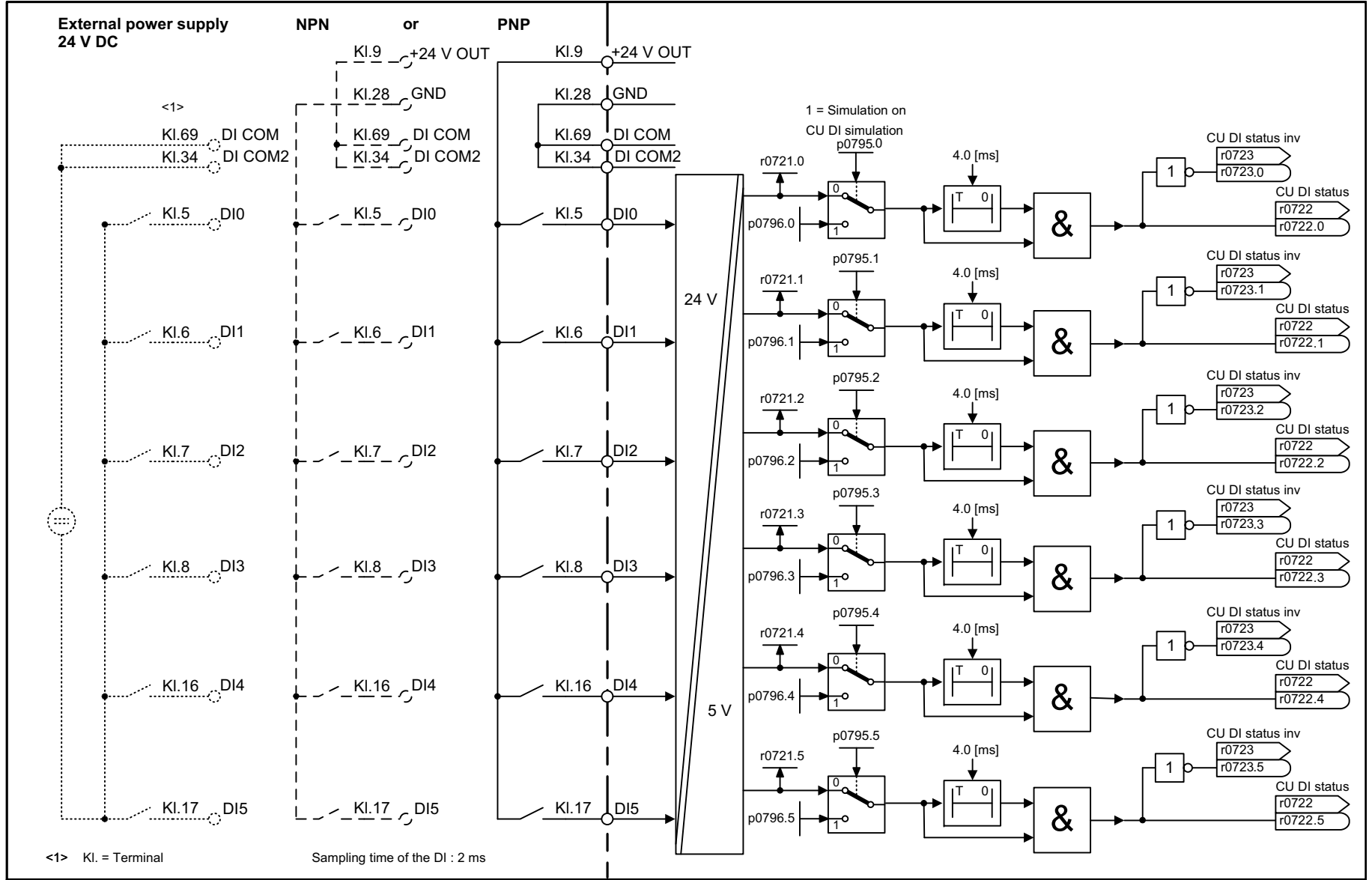
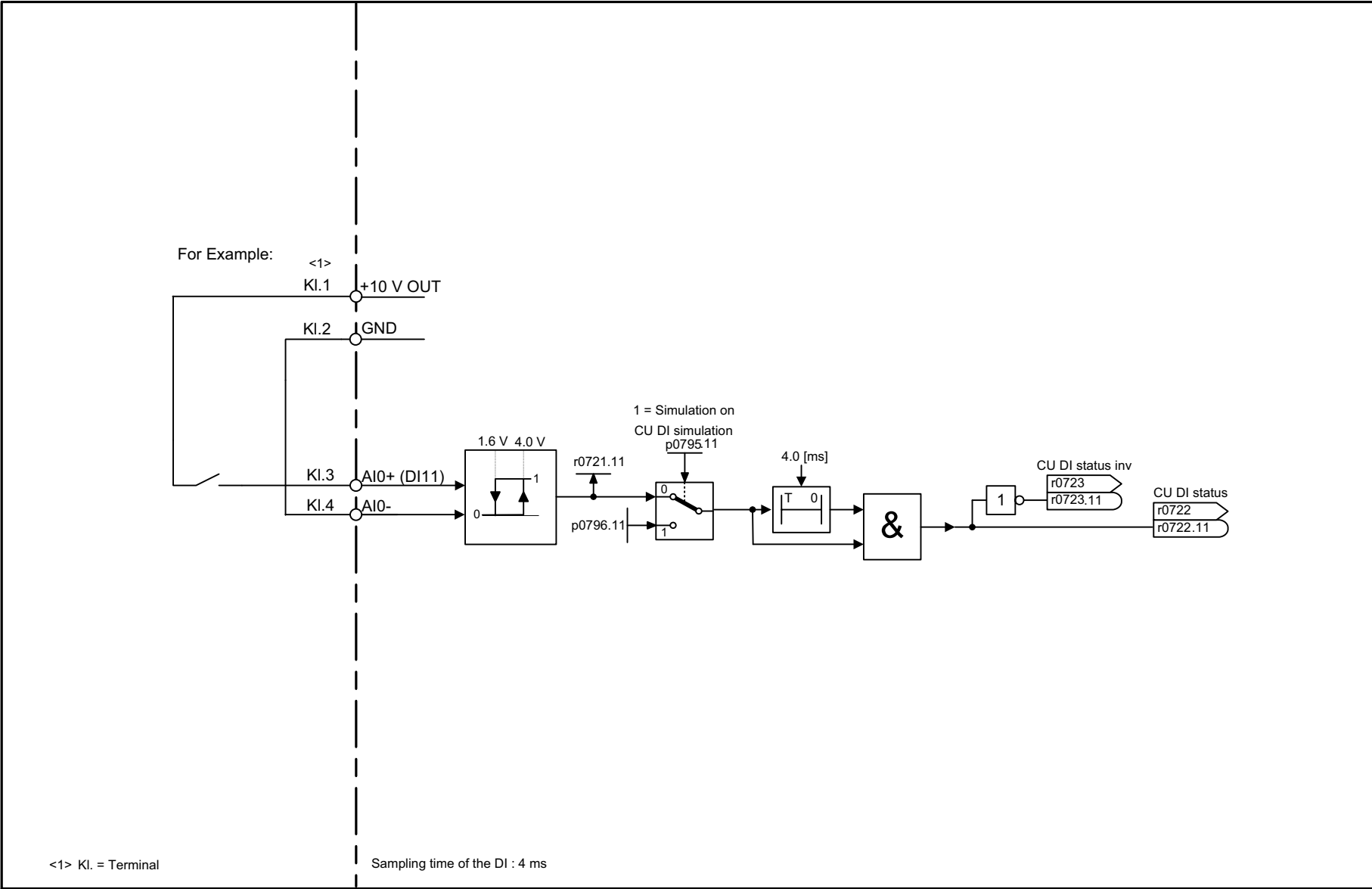


Fig. 2-12 2220 – Digital inputs, electrically isolated (DI0 ... DI5)

1	2	3	4	5	6	7	8
External Interfaces					FP_2220_97_05.vsd	Function diagram	
Digital inputs, electrically isolated (DI0 ... DI5)					13.12.2010 V4.4	SINANICS G120C	
							- 2220 -



1	2	3	4	5	6	7	8
External Interfaces					FP_2223_97_05.vsd	Function diagram	
Analog inputs as Digital inputs (DI11)					13.12.2010 V4.4	SINAMICS G120C	

Fig. 2-13 2223 – Analog inputs as Digital inputs (DI11)

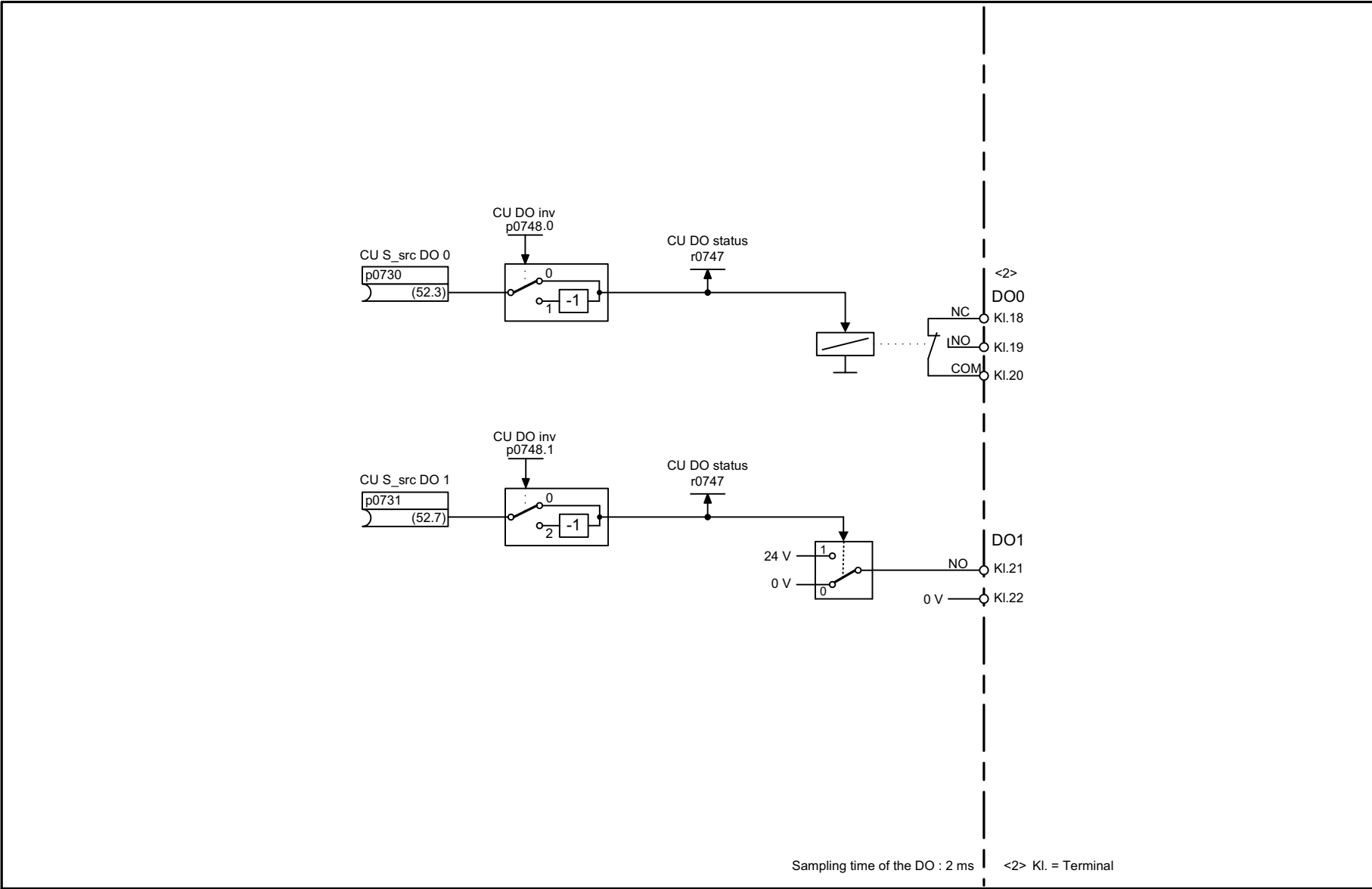
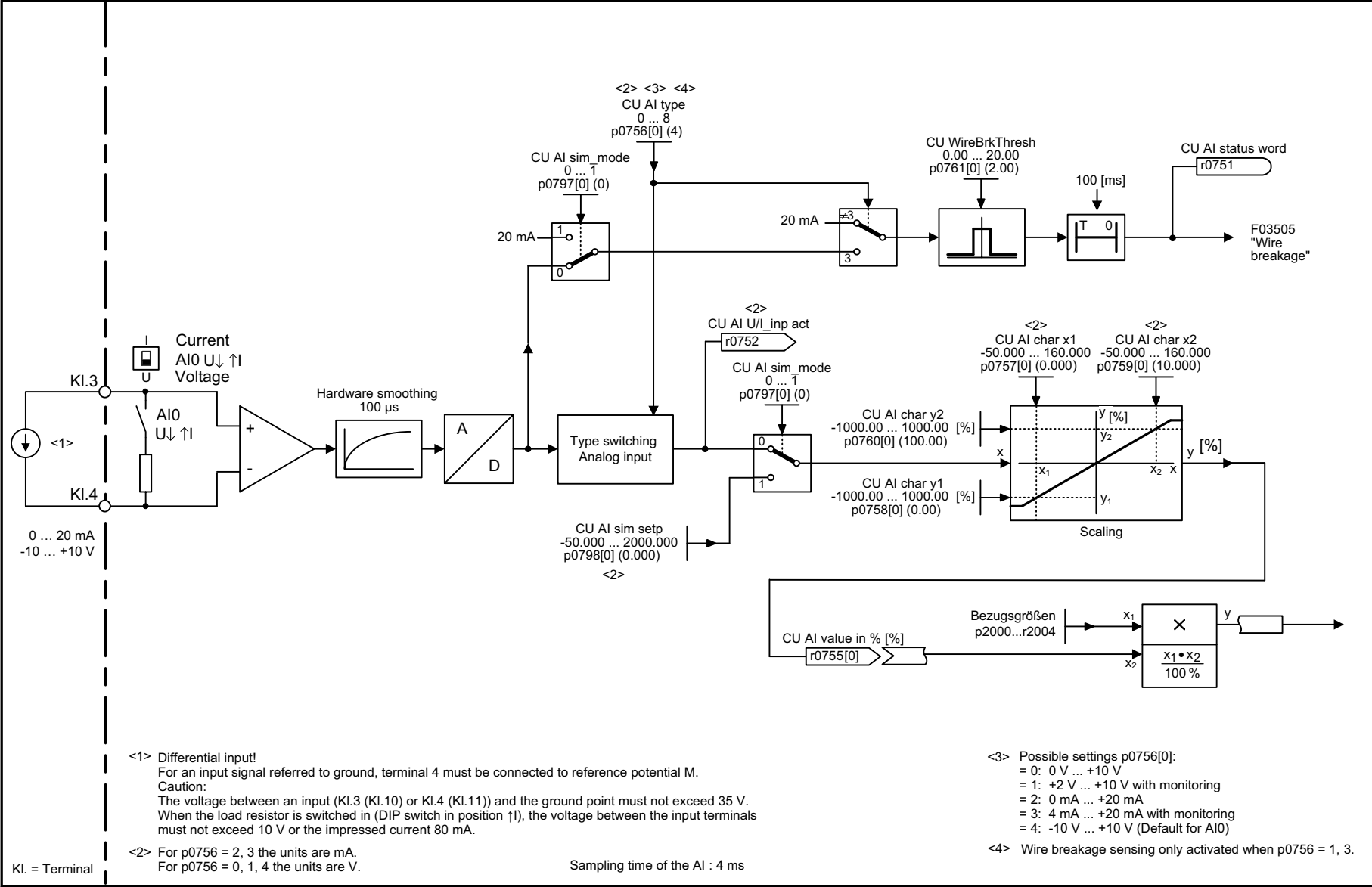


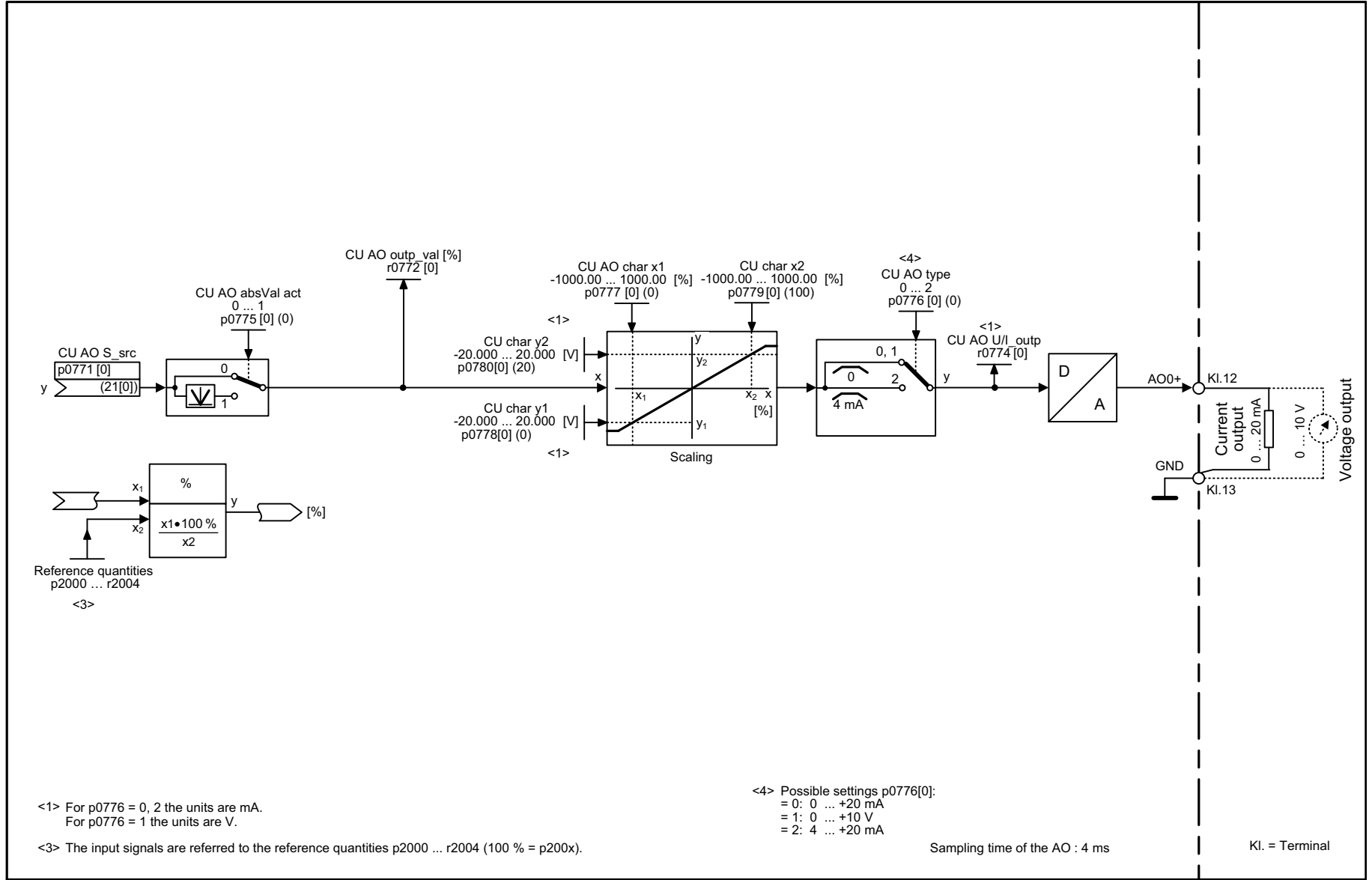
Fig. 2-14 2230 – Digital outputs (DO0 ... DO1)

1	2	3	4	5	6	7	8
External Interfaces					FP_2230_97_05.vsd	Function diagram	
Digital outputs (DO0 ... DO1)					13.12.2010 V4.4	SINAMICS G120C	
							- 2230 -

Fig. 2-15 9567 – Analog input 0 (AI0)



1	2	3	4	5	6	7	8
External Interfaces					FP_9567_97_05.vsd	Function diagram	
Analog input 0 (AI0)					13.12.2010 V4.4	SINAMICS G120C	
							- 9567 -



<1> For p0776 = 0, 2 the units are mA.
For p0776 = 1 the units are V.

<3> The input signals are referred to the reference quantities p2000 ... r2004 (100 % = p200x).

<4> Possible settings p0776[0]:
= 0: 0 ... +20 mA
= 1: 0 ... +10 V
= 2: 4 ... +20 mA

Sampling time of the AO : 4 ms

Ki. = Terminal

1	2	3	4	5	6	7	8
External Interfaces					FP_9573_97_05.vsd	Function diagram	
Analog output 0 (AO0)					13.12.2010 V4.4	SINAMICS G120C	

Fig. 2-16 9573 – Analog output 0 (AO0)

2.5 Communication

2.5.1	Fieldbus Interface (USS, Modbus) (G120C USS/MB)	2-304
2.5.2	PROFIdrive / PROFIBUS (G120C DP)	2-310
2.5.3	CANopen (G120C CAN)	2-323

2.5.1 Fieldbus Interface (USS, Modbus) (G120C USS/MB)

Function diagrams

9310 – Configuration, addresses and diagnostics	2-305
9342 – STW1 control word interconnection	2-306
9352 – ZSW1 status word interconnection	2-307
9360 – Receive telegram, free interconnection via BICO	2-308
9370 – Send telegram, free interconnection via BICO	2-309
9370 – Send telegram, free interconnection via BICO	2-309

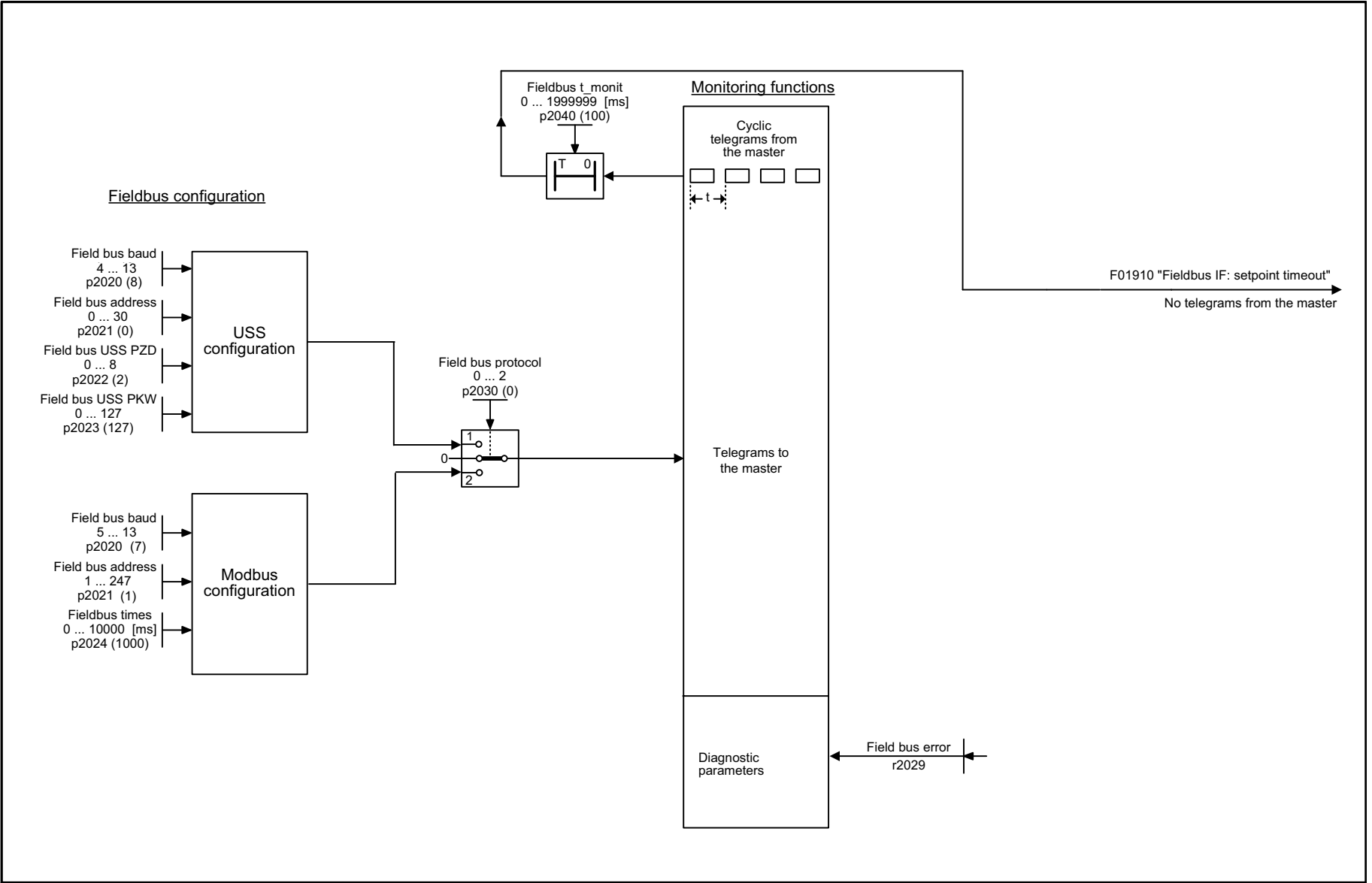


Fig. 2-17 9310 – Configuration, addresses and diagnostics

1	2	3	4	5	6	7	8
Fieldbus Interface (USS, Modbus on RS485)					FP_9310_97_66.vsd	Function diagram	
Configuration, addresses and diagnostics					13.12.2010 V4.4	G120C USS/MB	
							- 9310 -

Signal targets for fieldbus STW1 (p0700 = 6)					
Signal	Meaning	Interconnection parameters	[Function diagram] internal control word	[Function diagram] signal target	Inverted
STW1.0	= ON (pulses can be enabled) 0 = OFF1 (braking with ramp-function generator, then pulse cancellation & ready for switching on)	p0840[0] = r2090.0	[2501.3]	Sequence control	-
STW1.1	1 = No OFF2 (enable is possible) 0 = OFF2 (immediate pulse suppression and switching on inhibited)	p0844[0] = r2090.1	[2501.3]	Sequence control	-
STW1.2	1 = No OFF3 (enable is possible) 0 = OFF3 (braking with the OFF3 ramp p1135, then pulse suppression and switching on inhibited)	p0848[0] = r2090.2	[2501.3]	Sequence control	-
STW1.3	1 = Enable operation (pulses can be enabled) 0 = Inhibit operation (cancel pulses)	p0852[0] = r2090.3	[2501.3]	Sequence control	-
STW1.4	1 = Operating condition (the ramp-function generator can be enabled) 0 = Inhibit ramp-function generator (set the ramp-function generator output to zero)	p1140[0] = r2090.4	[2501.3]	[3070]	-
STW1.5	1 = Enable the ramp-function generator 0 = Stop the ramp-function generator (freeze the ramp-function generator output)	p1141[0] = r2090.5	[2501.3]	[3070]	-
STW1.6	1 = Enable setpoint 0 = Inhibit setpoint (set the ramp-function generator input to zero)	p1142[0] = r2090.6	[2501.3]	[3070]	-
STW1.7	= Acknowledge faults	p2103[0] = r2090.7	[2546.1]	[8060]	-
STW1.8	Reserved	-	-	-	-
STW1.9	Reserved	-	-	-	-
STW1.10	1 = Control via PLC <1>	p0854[0] = r2090.10	[2501.3]	[2501]	-
STW1.11	1 = Dir of rot reversal	p1113[0] = r2090.11	[2505.3]	[3040]	-
STW1.12	Reserved	-	-	-	-
STW1.13	1 = Motorized potentiometer, setpoint, raise	p1035[0] = r2090.13	[2505.3]	[3020]	-
STW1.14	1 = Motorized potentiometer, setpoint, lower	p1036[0] = r2090.14	[2505.3]	[3020]	-
STW1.15	Reserved	-	-	-	-

<1> Bit 10 in STW1 must be set to ensure that the drive accepts the process data.

1	2	3	4	5	6	7	8
Fieldbus Interface (USS, Modbus on RS485)					FP_9342_97_62.vsd	Function diagram	
STW1 control word interconnection					13.12.2010 V4.4	G120C USS/MB	
							- 9342 -

Fig. 2-18 9342 – STW1 control word interconnection

Signal sources for fieldbus ZSW1 (p0700 = 6)					
Signal	Meaning	Interconnection parameters	[Function diagram] internal control word	[Function diagram] signal target	Inverted <1>
ZSW1.0	1 = Ready for switching on	p2080[0] = r0899.0	[2503.7]	Sequence control	-
ZSW1.1	1 = Ready for operation (DC link loaded, pulses inhibited)	p2080[1] = r0899.1	[2503.7]	Sequence control	-
ZSW1.2	1 = Operation enabled (drive follows n_set)	p2080[2] = r0899.2	[2503.7]	Sequence control	-
ZSW1.3	1 = Fault present	p2080[3] = r2139.3	[2548.7]	[8060]	-
ZSW1.4	1 = No coast down active (OFF2 inactive)	p2080[4] = r0899.4	[2503.7]	Sequence control	-
ZSW1.5	1 = No fast stop active (OFF3 inactive)	p2080[5] = r0899.5	[2503.7]	Sequence control	-
ZSW1.6	1 = Switching on inhibited active	p2080[6] = r0899.6	[2503.7]	Sequence control	-
ZSW1.7	1 = Alarm present	p2080[7] = r2139.7	[2548.7]	[8065]	-
ZSW1.8	1 = Speed setpoint - actual value deviation within tolerance t_off	p2080[8] = r2197.7	[2534.7]	[8011]	-
ZSW1.9	1 = Control requested <2>	p2080[9] = r0899.9	[2503.7]	[2503]	-
ZSW1.10	1 = f or n comparison value reached/exceeded	p2080[10] = r2199.1	[2536.7]	[8010]	-
ZSW1.11	1 = I, M, or P limit not reached	p2080[11] = r1407.7	[2522.7]	[6060]	✓
ZSW1.12	1 = Open holding brake	p2080[12] = r0899.12	[2503.7]	[2701]	-
ZSW1.13	1 = No motor overtemperature alarm	p2080[13] = r2135.14	[2548.7]	[8016]	✓
ZSW1.14	1 = Motor rotates forwards (n_act ≥ 0) 0 = Motor rotates backwards (n_act < 0)	p2080[14] = r2197.3	[2534.7]	[8011]	-
ZSW1.15	1 = No alarm, thermal overload, power unit	p2080[15] = r2135.15	[2548.7]	[8014]	✓

<1> The ZSW1 is generated using the binector-connector converter (BI: p2080[0...15], inversion: p2088[0]...p2088[0].15)
 <2> The drive is ready to accept data.

1	2	3	4	5	6	7	8
Fieldbus Interface (USS, Modbus on RS485)					FP_9352_97_62.vsd	Function diagram	
ZSW1 status word interconnection					13.12.2010 V4.4	G120C USS/MB	
							- 9352 -

Fig. 2-19 9352 – ZSW1 status word interconnection

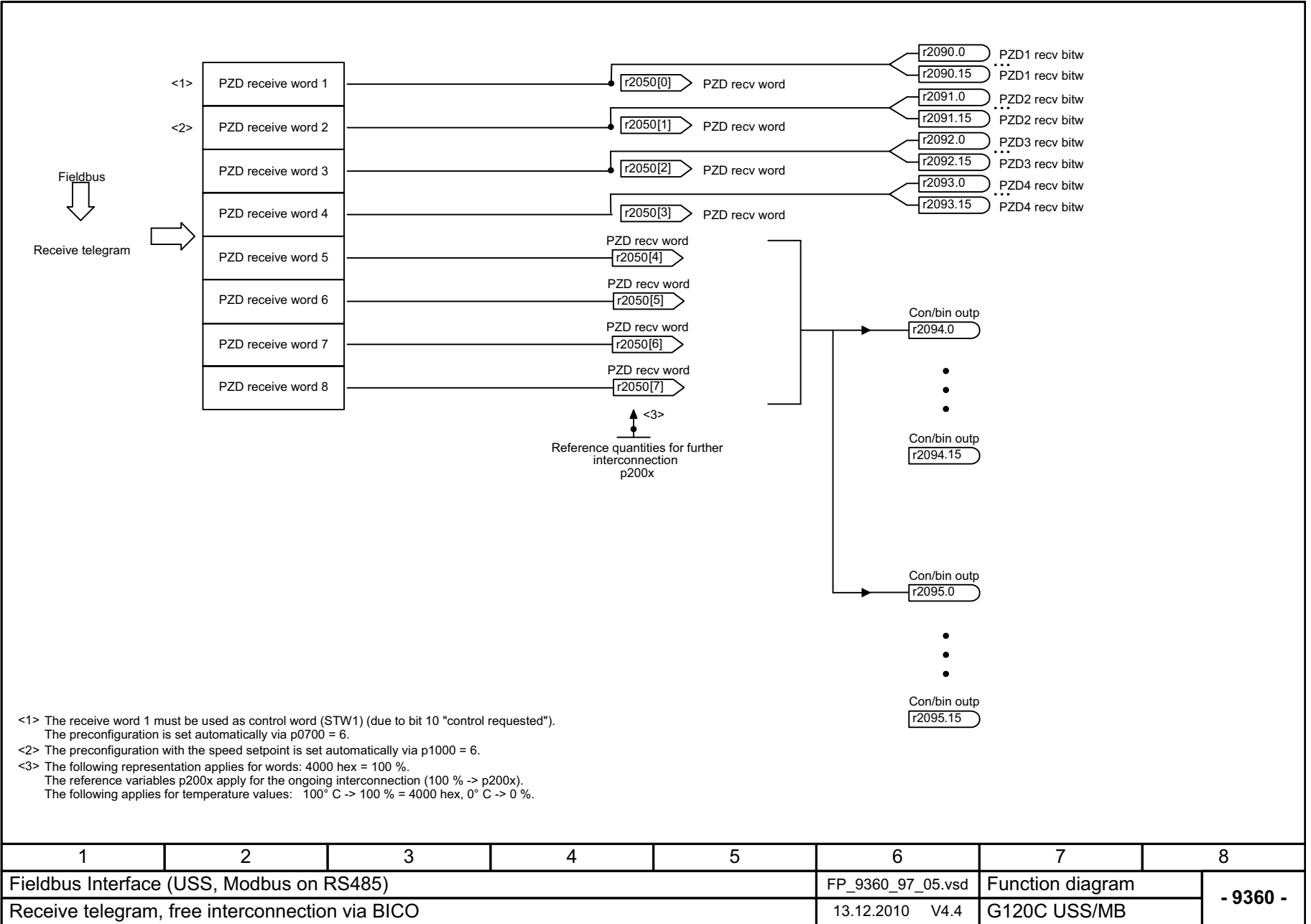
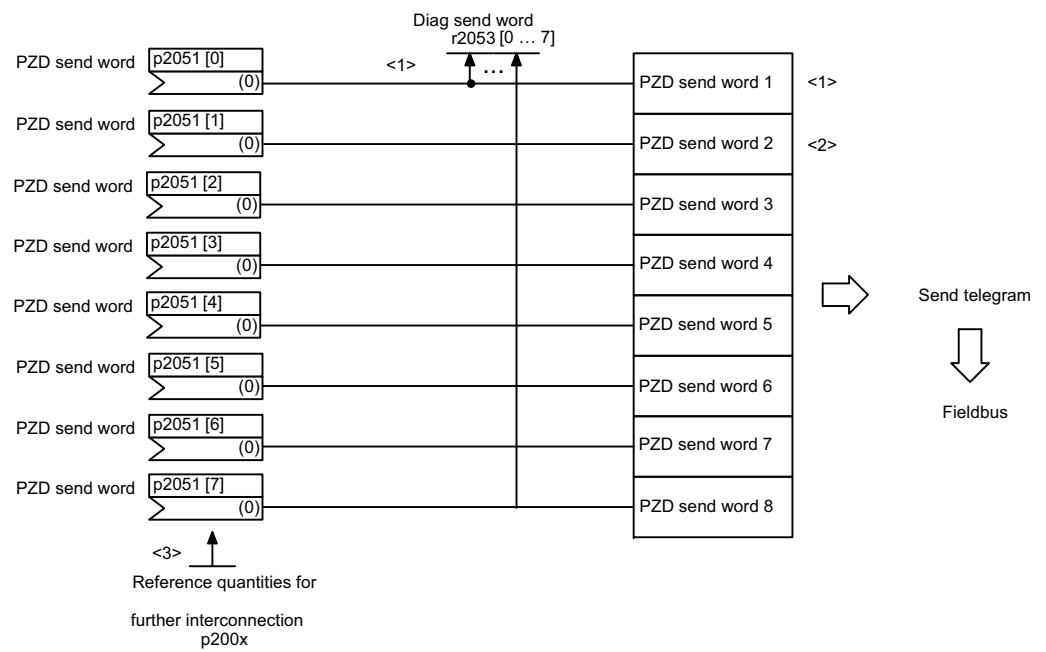


Fig. 2-20 9360 – Receive telegram, free interconnection via BICO



- <1> The send word 1 must be used as status word (ZSW1). The preconfiguration is set automatically via p0700 = 6.
- <2> The preconfiguration with the speed setpoint is set automatically via p1000 = 6.
- <3> Physical word values are inserted in the telegram as referenced variables. p200x apply as reference variables (telegram contents = 4000 hex, if the input variable has the value p200x).
The following applies for temperature values: 100° C -> 100 % = 4000 hex; 0° C -> 0%.

Fig. 2-21 9370 – Send telegram, free interconnection via BICO

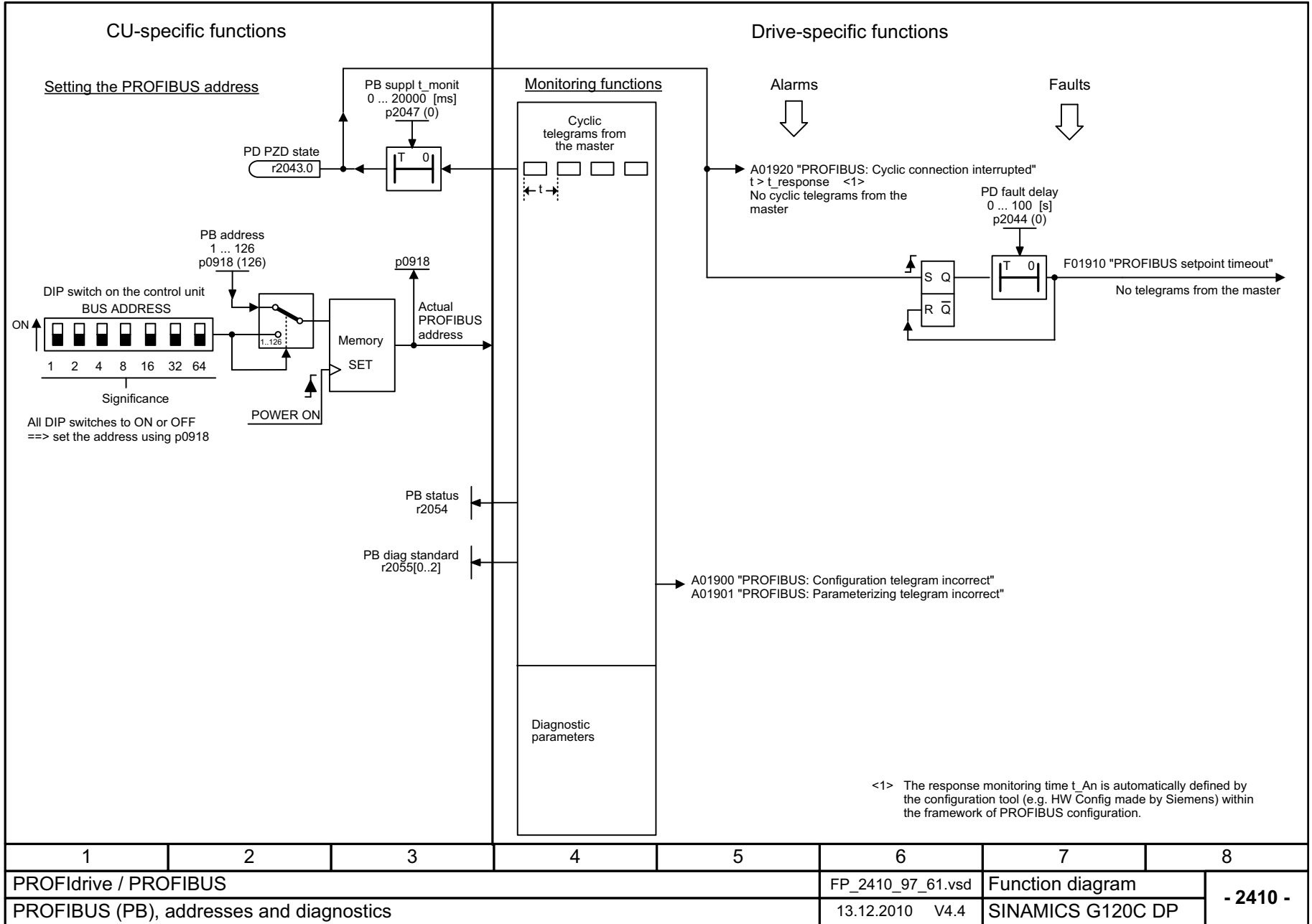
1	2	3	4	5	6	7	8
Fieldbus Interface (USS, Modbus on RS485)					FP_9370_97_62.vsd	Function diagram	
Send telegram, free interconnection via BICO					13.12.2010 V4.4	G120C USS/MB	
							- 9370 -

2.5.2 PROFIdrive / PROFIBUS (G120C DP)

Function diagrams

2410 – PROFIBUS, addresses and diagnostics	2-311
2420 – Telegrams and Process Data (PZD)	2-312
2440 – PZD receive signals interconnection	2-313
2441 – STW1 control word interconnection (p2038 = 2)	2-314
2442 – STW1 control word interconnection (p2038 = 0)	2-315
2450 – PZD send signals interconnection	2-317
2451 – ZSW1 status word interconnection (p2038 = 2)	2-318
2452 – ZSW1 status word interconnection (p2038 = 0)	2-319
2468 – Receive telegram, free interconnection via BICO (p0922 = 999)	2-321
2470 – Send telegram, free interconnection via BICO (p0922 = 999)	2-322

Fig. 2-22 2410 – PROFIBUS, addresses and diagnostics



1	2	3	4	5	6	7	8
PROFdrive / PROFIBUS					FP_2410_97_61.vsd	Function diagram	
PROFIBUS (PB), addresses and diagnostics					13.12.2010 V4.4	SINAMICS G120C DP	
							- 2410 -

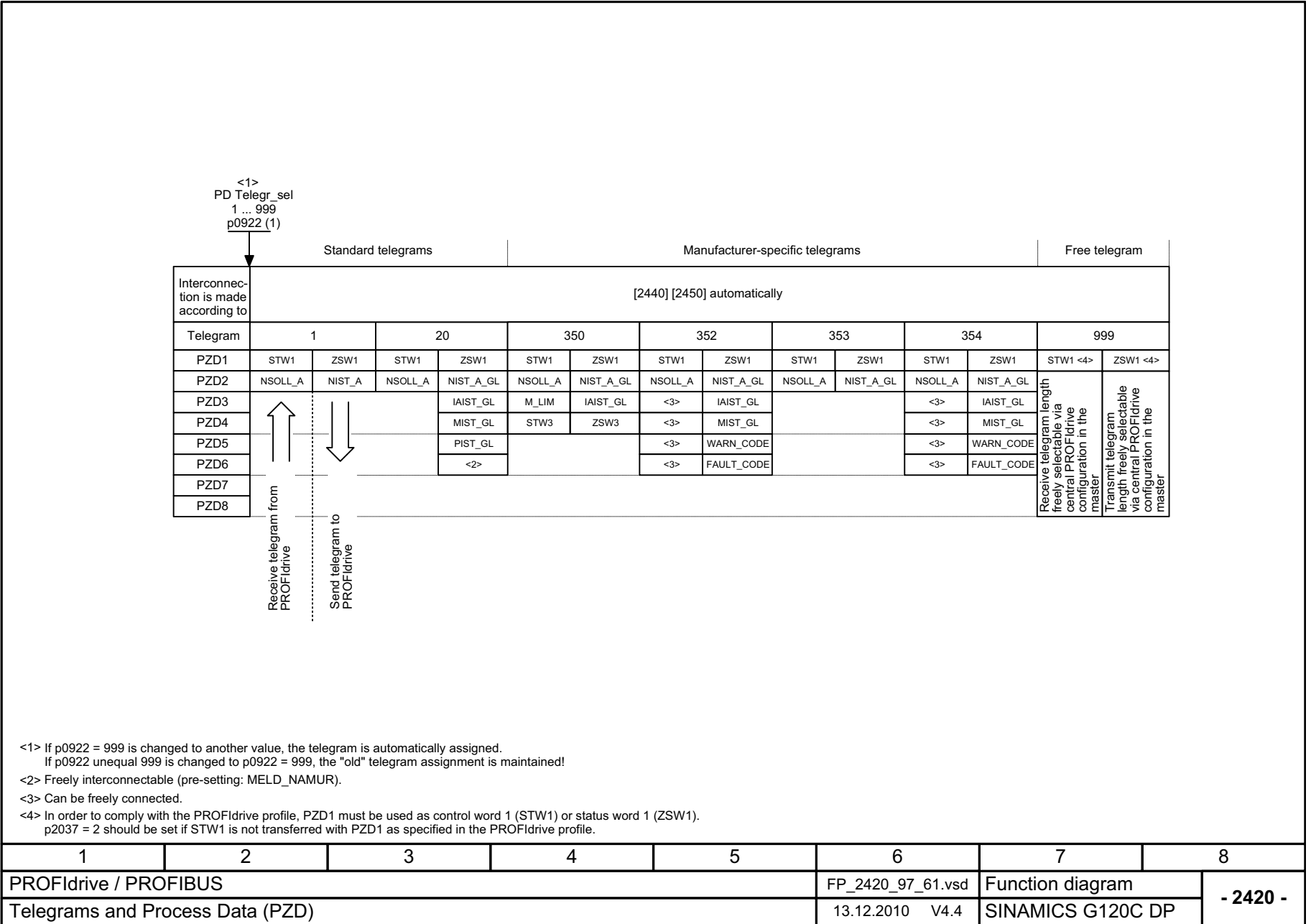
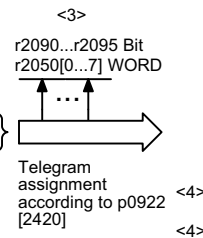
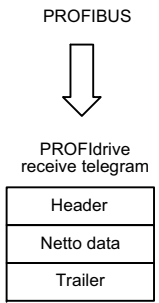


Fig. 2-23 2420 – Telegrams and Process Data (PZD)

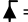

Fig. 2-24 2440 – PZD receive signals interconnection



Signal receivers for PZD receive signals						
Signal	Meaning	PROFdrive Signal No.	Interconnection parameter	Function diagram	Data type	Scaling
STW1	Control word 1	1	(bit serial)	[2442]	U16	-
NSOLL_A	Speed setpoint A (16-bit)	5	p1070	[3030.2]	I16	4000 hex $\hat{=}$ p2000
M_LIM	Torque limit	310	p1552,p1554	[6060.1]	U16	4000 hex $\hat{=}$ 100 %
STW3	Control word 3	304	(bit serial)	[2444]	U16	-

<1> When selecting a standard telegram or a manufacturer-specific telegram via p0922, these interconnection parameters of the command data set CDS are automatically set to 0.
 <2> Data type according to the PROFdrive profile: I16 = Integer16, U16 = Unsigned16.
 <3> Display parameters for receive data according to [2460].
 <4> Only SIEMENS telegram 350

1	2	3	4	5	6	7	8
PROFdrive / PROFIBUS					FP_2440_97_61.vsd	Function diagram	
PZD receive signals interconnection					13.12.2010 V4.4	SINAMICS G120C DP	

Signal targets for STW1 in Interface Mode VIK-NAMUR (p2038 = 2) <1>					
Signal	Meaning	Interconnection parameters	[Function diagram] internal control word	[Function diagram] signal target	Inverted
STW1.0	 = ON (pulses can be enabled) 0 = OFF1 (braking with ramp-function generator, then pulse cancellation & ready for switching on)	p0840[0] = r2090.0	[2501.3]	Sequence control	-
STW1.1	1 = No OFF2 (enable is possible) 0 = OFF2 (immediate pulse suppression and switching on inhibited)	p0844[0] = r2090.1	[2501.3]	Sequence control	-
STW1.2	1 = No OFF3 (enable is possible) 0 = OFF3 (braking with the OFF3 ramp p1135, then pulse suppression and switching on inhibited)	p0848[0] = r2090.2	[2501.3]	Sequence control	-
STW1.3	1 = Enable operation (pulses can be enabled) 0 = Inhibit operation (cancel pulses)	p0852[0] = r2090.3	[2501.3]	Sequence control	-
STW1.4	1 = Operating condition (the ramp-function generator can be enabled) 0 = Inhibit ramp-function generator (set the ramp-function generator output to zero)	p1140[0] = r2090.4	[2501.3]	[3070]	-
STW1.5	1 = Enable the ramp-function generator 0 = Stop the ramp-function generator (freeze the ramp-function generator output)	p1141[0] = r2090.5	[2501.3]	[3070]	-
STW1.6	1 = Enable setpoint 0 = Inhibit setpoint (set the ramp-function generator input to zero)	p1142[0] = r2090.6	[2501.3]	[3070]	-
STW1.7	 = Acknowledge faults	p2103[0] = r2090.7	[2546.1]	[8060]	-
STW1.8	Reserved	-	-	-	-
STW1.9	Reserved	-	-	-	-
STW1.10	1 = Control via PLC <2>	p0854[0] = r2090.10	[2501.3]	[2501]	-
STW1.11	1 = Dir of rot reversal	p1113[0] = r2090.11	[2505.3]	[3040]	-
STW1.12	Reserved	-	-	-	-
STW1.13	Reserved	-	-	-	-
STW1.14	Reserved	-	-	-	-
STW1.15	1 = CDS selection	p0810[0] = 2090.15 <3>	-	-	-

<1> Used in telegram 20.
 <2> Bit 10 in STW1 must be set to ensure that the drive accepts the process data.
 <3> Interconnection is not disabled.

Fig. 2-25 2441 – STW1 control word interconnection (p2038 = 2)

1	2	3	4	5	6	7	8
PROFIdrive / PROFIBUS					FP_2441_97_61.vsd	Function diagram	
STW1 control word interconnection (p2038 = 2)					13.12.2010 V4.4	SINAMICS G120C DP	
							- 2441 -

Signal targets for STW1 in Interface Mode SINAMICS (p2038 = 0)						<1>
Signal	Meaning	Interconnection parameters	[Function diagram] internal control word	[Function diagram] signal target	Inverted	
STW1.0	▲ = ON (pulses can be enabled) 0 = OFF1 (braking with ramp-function generator, then pulse cancellation & ready for switching on)	p0840[0] = r2090.0	[2501.3]	Sequence control	-	
STW1.1	1 = No OFF2 (enable is possible) 0 = OFF2 (immediate pulse suppression and switching on inhibited)	p0844[0] = r2090.1	[2501.3]	Sequence control	-	
STW1.2	1 = No OFF3 (enable is possible) 0 = OFF3 (braking with the OFF3 ramp p1135, then pulse suppression and switching on inhibited)	p0848[0] = r2090.2	[2501.3]	Sequence control	-	
STW1.3	1 = Enable operation (pulses can be enabled) 0 = Inhibit operation (cancel pulses)	p0852[0] = r2090.3	[2501.3]	Sequence control	-	
STW1.4	1 = Operating condition (the ramp-function generator can be enabled) 0 = Inhibit ramp-function generator (set the ramp-function generator output to zero)	p1140[0] = r2090.4	[2501.3]	[3070]	-	
STW1.5	1 = Enable the ramp-function generator 0 = Stop the ramp-function generator (freeze the ramp-function generator output)	p1141[0] = r2090.5	[2501.3]	[3070]	-	
STW1.6	1 = Enable setpoint 0 = Inhibit setpoint (set the ramp-function generator input to zero)	p1142[0] = r2090.6	[2501.3]	[3070]	-	
STW1.7	▲ = Acknowledge faults	p2103[0] = r2090.7	[2546.1]	[8060]	-	
STW1.8	Reserved	-	-	-	-	
STW1.9	Reserved	-	-	-	-	
STW1.10	1 = Control via PLC	p0854[0] = r2090.10	[2501.3]	[2501]	-	<2>
STW1.11	1 = Dir of rot reversal	p1113[0] = r2090.11	[2505.3]	[3040]	-	
STW1.12	Reserved	-	-	-	-	
STW1.13	1 = Motorized potentiometer, setpoint, raise	p1035[0] = r2090.13	[2505.3]	[3020]	-	
STW1.14	1 = Motorized potentiometer, setpoint, lower	p1036[0] = r2090.14	[2505.3]	[3020]	-	
STW1.15	Reserved	-	-	-	-	

<1> Used in telegrams 1, 352.

<2> Bit 10 in STW1 must be set to ensure that the drive accepts the process data.

1	2	3	4	5	6	7	8
PROFIdrive / PROFIBUS					FP_2442_97_61.vsd	Function diagram	
STW1 control word interconnection (p2038 = 0)					13.12.2010 V4.4	SINAMICS G120C DP	
							- 2442 -

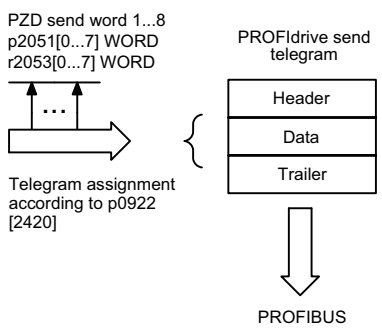
Fig. 2-26 2442 – STW1 control word interconnection (p2038 = 0)

Signal targets for STW3 in Interface Mode SINAMICS (p2038 = 0)						<1>
Signal	Meaning	Interconnection parameters	[Function diagram] internal control word	[Function diagram] signal target	Inverted	
STW3.0	1 = Fixed setp bit 0	p1020[0] = r2093.0	[3010.2]	[3010.2]	-	
STW3.1	1 = Fixed setp bit 1	p1021[0] = r2093.1	[2513.2]	[3010.2]	-	
STW3.2	1 = Fixed setp bit 2	p1022[0] = r2093.2	[2513.2]	[3010.2]	-	
STW3.3	1 = Fixed setp bit 3	p1023[0] = r2093.3	[2513.2]	[3010.2]	-	
STW3.4	Reserved	-	-	-	-	
STW3.5	Reserved	-	-	-	-	
STW3.6	Reserved	-	-	-	-	
STW3.7	Reserved	-	-	-	-	
STW3.8	1 = Technology controller enable	p2200[0] = r2093.8	[2513.2]	[7958.4]	-	
STW3.9	1 = DC brake enable	p1230[0] = r2093.9	[2513.2]	[7017.1]	-	
STW3.10	Reserved	-	-	-	-	
STW3.11	Reserved	-	-	-	-	
STW3.12	Reserved	-	-	-	-	
STW3.13	0 = External fault 1 (F07860)	p2106[0] = r2093.13	[2513.2]	[8060.1]	-	
STW3.14	Reserved	-	-	-	-	
STW3.15	Reserved	-	-	-	-	

<1> Used in telegrams 350.

1	2	3	4	5	6	7	8
PROFIdrive / PROFIBUS					FP_2444_97_05.vsd	Function diagram	
STW3 control word interconnection (p2038 = 0)					13.12.2010 V4.4	SINAMICS G120C DP	
							- 2444 -

Fig. 2-27 2444 – STW3 control word interconnection (p2038 = 0)



Signal sources for PZD send signals						
Signal	Description	PROFdrive Signal No.	Interconnection parameter	Function diagram	Data type	Scaling
ZSW1	Status word 1	2	r2089[0]	[2452]	U16	-
NIST_A	Actual speed A (16 bit)	6	r0063[0]	-	I16	4000 hex \cong p2000
IAIST_GLATT	Absolute actual current, smoothed	51	r0068[1]	[6799]	I16	4000 hex \cong p2002
MIST_GLATT	Actual torque smoothed	53	r0080[1]	[6799]	I16	4000 hex \cong p2003
PIST_GLATT	Power factor, smoothed	54	r0082[1]	[6799]	I16	4000 hex \cong p2004
NIST_A_GLATT	Actual speed, smoothed	57	r0063[1]	-	I16	4000 hex \cong p2000
MELD_NAMUR	VIK-NAMUR message bit bar	58	r3113	-	U16	
FAULT_CODE	Fault code	301	r2131	[8060]	U16	
WARN_CODE	Alarm code	303	r2132	[8065]	U16	
ZSW3	Status word 3	305	r0053	[2454]	U16	

<1> Data type according to the PROFdrive profile: I16 = Integer16, U16 = Unsigned16.

Fig. 2-28 2450 – PZD send signals interconnection

1	2	3	4	5	6	7	8
PROFdrive / PROFIBUS					FP_2450_97_61.vsd	Function diagram	
PZD send signals interconnection					13.12.2010 V4.4	SINAMICS G120C DP	
							- 2450 -

Signal sources for ZSW1 in Interface Mode VIK-NAMUR (p2038 = 2)						<1>
Signal	Meaning	Interconnection parameters	[Function diagram] internal control word	[Function diagram] signal target	Inverted <2>	
ZSW1.0	1 = Ready for switching on	p2080[0] = r0899.0	[2503.7]	Sequence control	-	
ZSW1.1	1 = Ready for operation (DC link loaded, pulses inhibited)	p2080[1] = r0899.1	[2503.7]	Sequence control	-	
ZSW1.2	1 = Operation enabled (drive follows n_set)	p2080[2] = r0899.2	[2503.7]	Sequence control	-	
ZSW1.3	1 = Fault present	p2080[3] = r2139.3	[2548.7]	[8060]	-	
ZSW1.4	1 = No coast down active (OFF2 inactive)	p2080[4] = r0899.4	[2503.7]	Sequence control	-	
ZSW1.5	1 = No fast stop active (OFF3 inactive)	p2080[5] = r0899.5	[2503.7]	Sequence control	-	
ZSW1.6	1 = Switching on inhibited active	p2080[6] = r0899.6	[2503.7]	Sequence control	-	
ZSW1.7	1 = Alarm present	p2080[7] = r2139.7	[2548.7]	[8065]	-	
ZSW1.8	1 = Speed setpoint - actual value deviation within tolerance t_off	p2080[8] = r2197.7	[2534.7]	[8011]	-	
ZSW1.9	1 = Control requested <3>	p2080[9] = r0899.9	[2503.7]	[2503]	-	
ZSW1.10	1 = f or n comparison value reached/exceeded	p2080[10] = r2199.1	[2536.7]	[8010]	-	
ZSW1.11	1 = I, M, or P limit not reached	p2080[11] = r0056.13	[2522.7]	[6060]	✓	
ZSW1.12	Reserved	-	-	-	-	
ZSW1.13	1 = No motor overtemperature alarm	p2080[13] = r2135.14	[2548.7]	[8016]	✓	
ZSW1.14	1 = Motor rotates forwards (n_act ≥ 0) 0 = Motor rotates backwards (n_act < 0)	p2080[14] = r2197.3	[2534.7]	[8011]	-	
ZSW1.15	1 = Display CDS	p2080[15] = r0836.0 <4>	-	-	-	

<1> Used in telegram 20.

<2> The ZSW1 is generated using the binector-connector converter (BI: p2080[0...15], inversion: p2088[0]...p2088[0].15)

<3> The drive object is ready to accept data.

<4> Interconnection is not disabled.

1	2	3	4	5	6	7	8
PROFIdrive / PROFIBUS					FP_2451_97_61.vsd	Function diagram	
ZSW1 status word interconnection (p2038 = 2)					13.12.2010 V4.4	SINAMICS G120C DP	
							- 2451 -

Fig. 2-29 2451 – ZSW1 status word interconnection (p2038 = 2)

Signal sources for ZSW1 im Interface Mode SINAMICS (p2038 = 0)						<1>
Signal	Meaning	Interconnection parameters	[Function diagram] internal control word	[Function diagram] signal target	Inverted <2>	
ZSW1.0	1 = Ready for switching on	p2080[0] = r0899.0	[2503.7]	Sequence control	-	
ZSW1.1	1 = Ready for operation (DC link loaded, pulses inhibited)	p2080[1] = r0899.1	[2503.7]	Sequence control	-	
ZSW1.2	1 = Operation enabled (drive follows n_set)	p2080[2] = r0899.2	[2503.7]	Sequence control	-	
ZSW1.3	1 = Fault present	p2080[3] = r2139.3	[2548.7]	[8060]	-	
ZSW1.4	1 = No coast down active (OFF2 inactive)	p2080[4] = r0899.4	[2503.7]	Sequence control	-	
ZSW1.5	1 = No fast stop active (OFF3 inactive)	p2080[5] = r0899.5	[2503.7]	Sequence control	-	
ZSW1.6	1 = Switching on inhibited active	p2080[6] = r0899.6	[2503.7]	Sequence control	-	
ZSW1.7	1 = Alarm present	p2080[7] = r2139.7	[2548.7]	[8065]	-	
ZSW1.8	1 = Speed setpoint - actual value deviation within tolerance t_off	p2080[8] = r2197.7	[2534.7]	[8011]	-	
ZSW1.9	1 = Control requested <3>	p2080[9] = r0899.9	[2503.7]	[2503]	-	
ZSW1.10	1 = f or n comparison value reached/exceeded	p2080[10] = r2199.1	[2536.7]	[8010]	-	
ZSW1.11	1 = I, M, or P limit not reached	p2080[11] = r1407.7	[2522.7]	[6060]	✓	
ZSW1.12	1 = Open holding brake	p2080[12] = r0899.12	[2503.7]	[2701]	-	
ZSW1.13	1 = No motor overtemperature alarm	p2080[13] = r2135.14	[2548.7]	[8016]	✓	
ZSW1.14	1 = Motor rotates forwards (n_act ≥ 0) 0 = Motor rotates backwards (n_act < 0)	p2080[14] = r2197.3	[2534.7]	[8011]	-	
ZSW1.15	1 = No alarm, thermal overload, power unit	p2080[15] = r2135.15	[2548.7]	[8014]	✓	

<1> Used in telegrams 1, 352.

<2> The ZSW1 is generated using the binector-connector converter (BI: p2080[0...15], inversion: p2088[0]...p2088[0].15)

<3> The drive is ready to accept data.

1	2	3	4	5	6	7	8
PROFIdrive / PROFIBUS					FP_2452_97_61.vsd	Function diagram	
ZSW1 status word interconnection (p2038 = 0)					13.12.2010 V4.4	SINAMICS G120C DP	
							- 2452 -

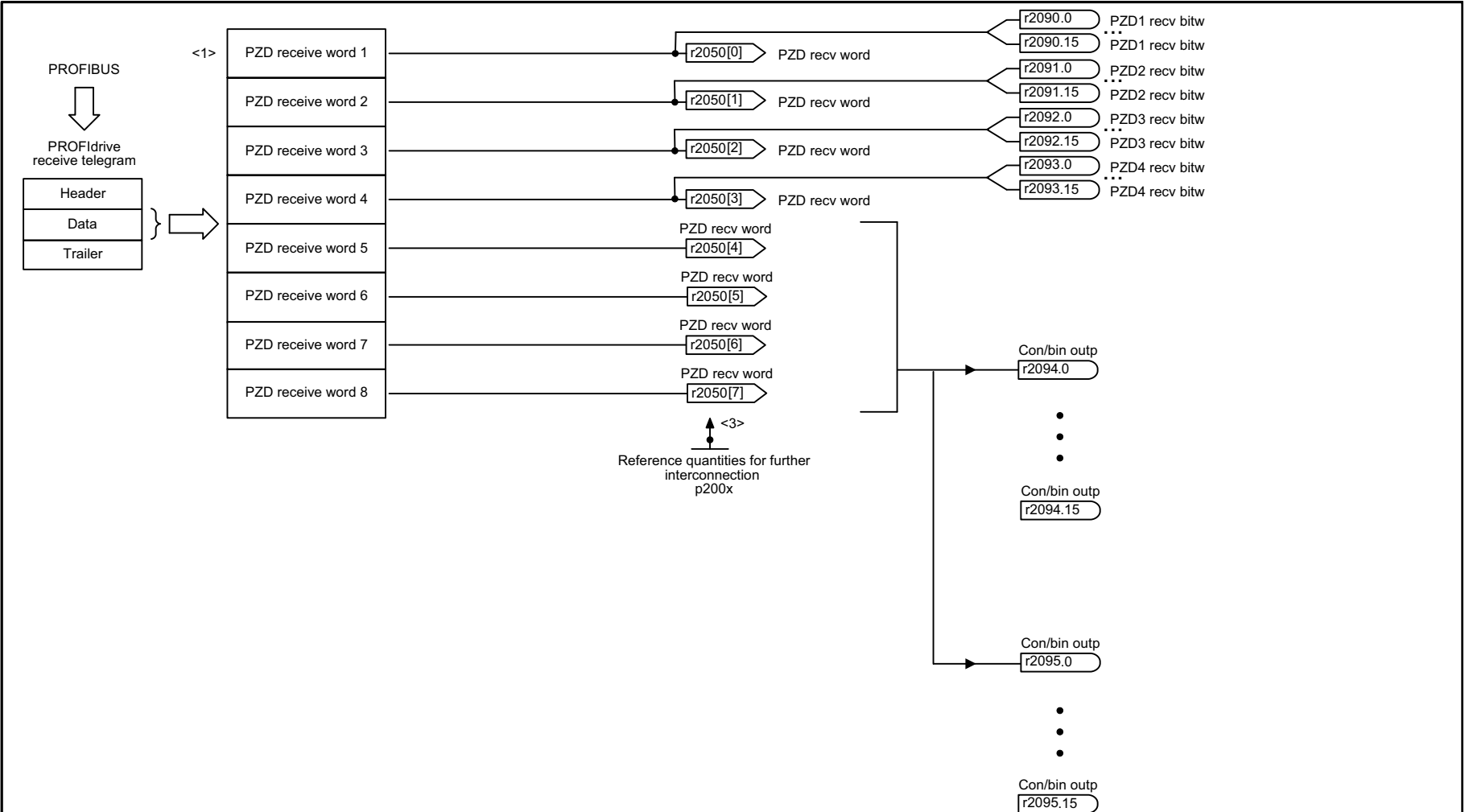
Fig. 2-30 2452 – ZSW1 status word interconnection (p2038 = 0)

Signal sources for ZSW3 im Interface Mode SINAMICS (p2038 = 0)						<1>
Signal	Meaning	Interconnection parameters	[Function diagram] internal status word	[Function diagram] signal source	Inverted	
ZSW3.0	1 = DC brake active 0 = DC brake not active	p2051[3] = r0053	[2511.7]	[7017.5]	-	
ZSW3.1	1 = n_act > p1226 (n_standstill)		[2511.7]	[2534.7]	-	
ZSW3.2	1 = n_act > p1080 (n_min)		[2511.7]	[2534.7]	-	
ZSW3.3	1 = n_act >= p2170		[2511.7]	[2534.7]	-	
ZSW3.4	1 = n_act > p2155		[2511.7]	[2534.7]	-	
ZSW3.5	1 = n_act <= p2155		[2511.7]	[2534.7]	-	
ZSW3.6	1 = n_act >= r1119 (f_set)		[2511.7]	[2534.7]	-	
ZSW3.7	1 = Vdc <= p2172		[2511.7]	[2534.7]	-	
ZSW3.8	1 = Vdc > p2172		[2511.7]	[2534.7]	-	
ZSW3.9	1 = Ramping finished		[2511.7]	[3080.7]	-	
ZSW3.10	1 = Techn. contr. out at lower limit		[2511.7]	[7958.7]	-	
ZSW3.11	1 = Techn. contr. out at upper limit		[2511.7]	[7958.7]	-	
ZSW3.12	Reserved		-	-	-	
ZSW3.13	Reserved		-	-	-	
ZSW3.14	Reserved		-	-	-	
ZSW3.15	Reserved	-	-	-		

<1> Used in telegrams 350.

Fig. 2-31 2454 – ZSW3 status word interconnection (p2038 = 0)

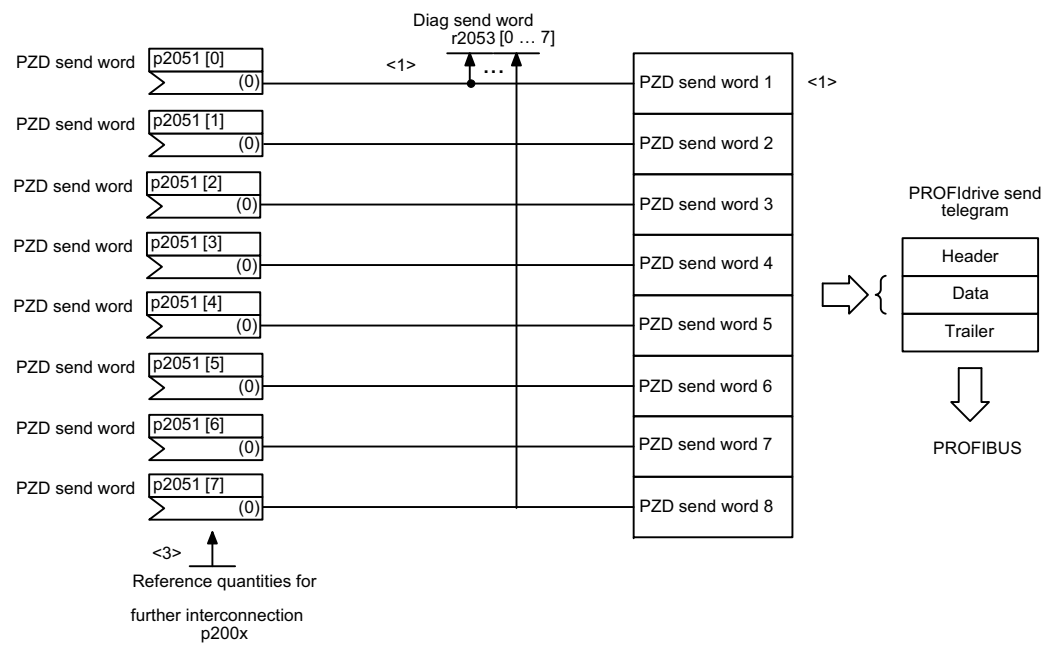
1	2	3	4	5	6	7	8
PROFIdrive / PROFIBUS					FP_2454_97_61.vsd	Function diagram	
ZSW3 status word interconnection (p2038 = 0)					13.12.2010 V4.4	SINAMICS G120C DP	
							- 2454 -



<1> In order to maintain the PROFdrive profile, receive word 1 must be used as control word (STW1) (due to bit 10 "control requested").
 <2> Using the connector-binector converters, the bits can be extracted from two of the PZD receive words 3 to 8 and used as binectors.
 <3> The following representation applies for words: 4000 hex = 100 %.
 The reference variables p200x apply for the ongoing interconnection (100 % -> p200x).
 The following applies for temperature values: 100° C -> 100 % = 4000 hex, 0° C -> 0 %.

Fig. 2-32 2468 – Receive telegram, free interconnection via BICO (p0922 = 999)

1	2	3	4	5	6	7	8
PROFdrive / PROFIBUS					FP_2468_97_05.vsd	Function diagram	
Receive telegram, free interconnection via BICO (p0922 = 999)					13.12.2010 V4.4	SINAMICS G120C DP	
							- 2468 -



<1> To comply with the PROFIdrive profile, send word 1 must be used as status word 1 (ZSW1).
 <2> Physical word values are inserted in the telegram as referenced variables. p200x apply as reference variables (telegram contents = 4000 hex, if the input variable has the value p200x).
 The following applies for temperature values: 100° C -> 100 % = 4000 hex; 0° C -> 0%.

Fig. 2-33 2470 – Send telegram, free interconnection via BICO (p0922 = 999)

1	2	3	4	5	6	7	8
PROFIdrive / PROFIBUS					FP_2470_97_61.vsd	Function diagram	
Send telegram, free interconnection via BICO (p0922 = 999)					13.12.2010 V4.4	SINAMICS G120C DP	

2.5.3 CANopen (G120C CAN)

Function diagrams

9204 – Receive telegram, free PDO mapping (p8744 = 2)	2-324
9206 – Receive telegram, Predefined Connection Set (p8744 = 1)	2-325
9208 – Send telegram, free PDO mapping (p8744 = 2)	2-326
9210 – Send telegram, Predefined Connection Set (p8744 = 1)	2-327
9220 – Control word, CANopen	2-328
9226 – Status word, CANopen	2-329

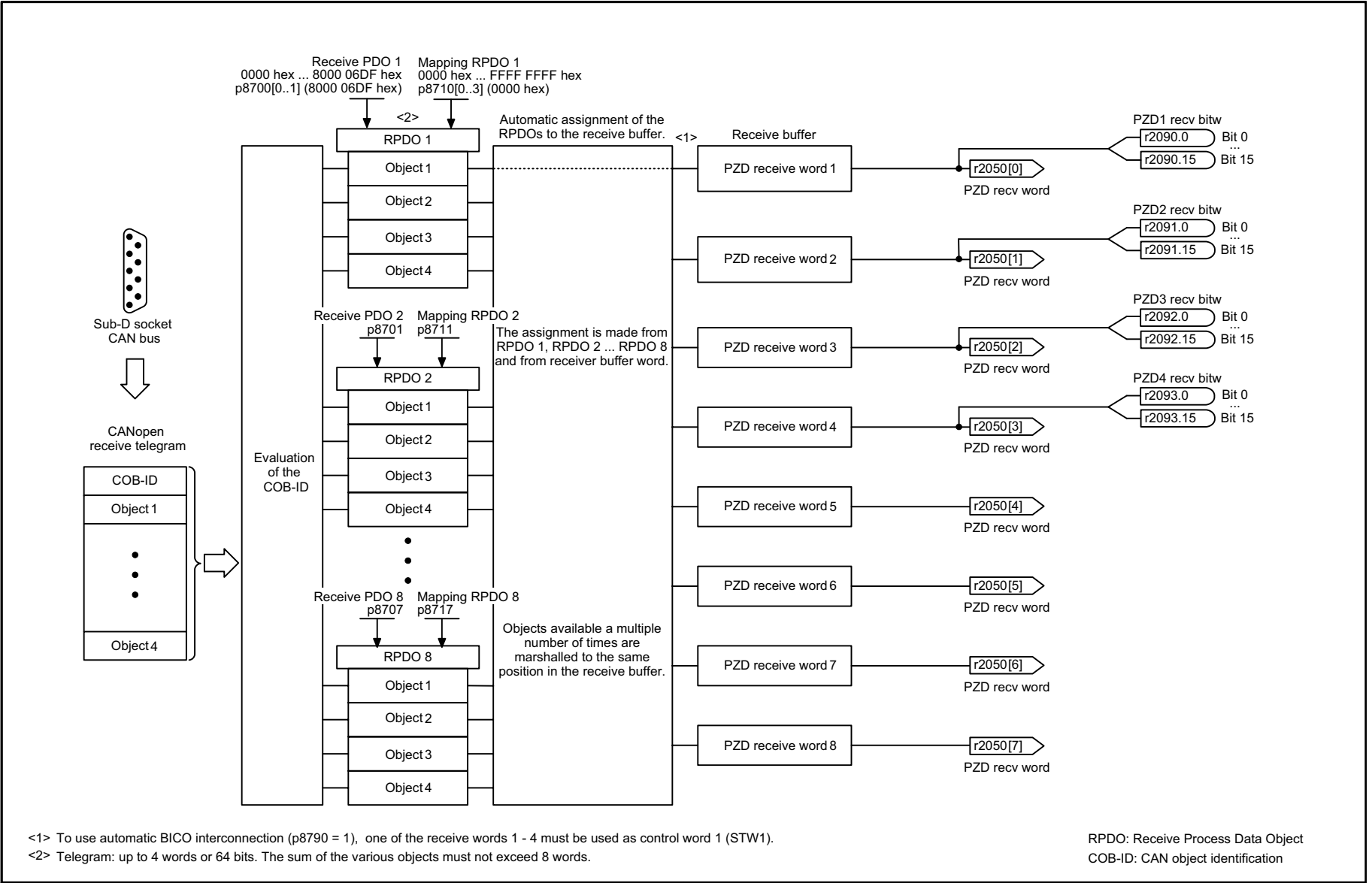
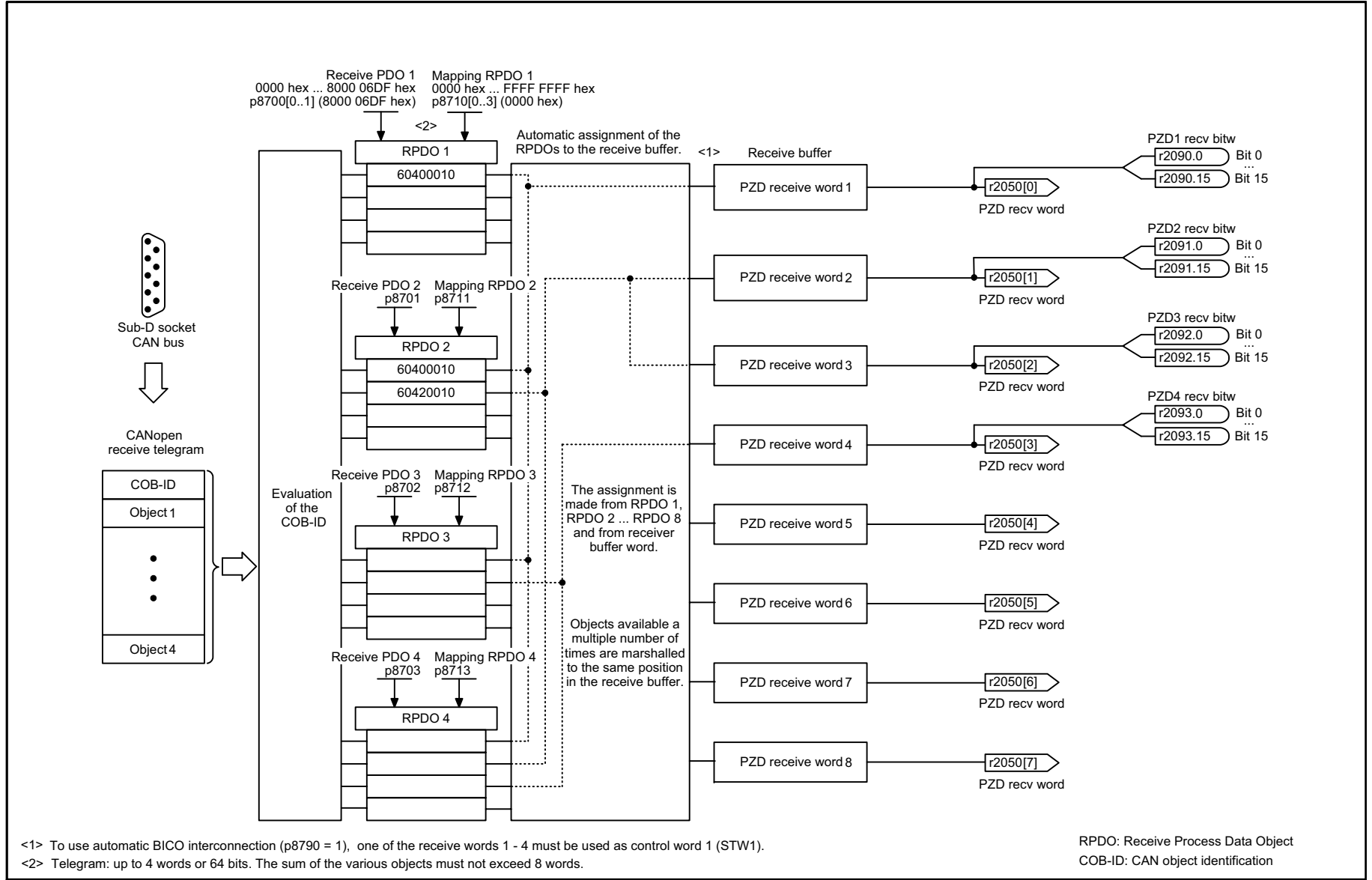


Fig. 2-34 9204 – Receive telegram, free PDO mapping (p8744 = 2)

1	2	3	4	5	6	7	8
CANopen					FP_9204_97_68.vsd	Function diagram	
Receive telegram, free PDO mapping (p8744 = 2)					13.12.2010 V4.4	SINAMICS G120C CAN	

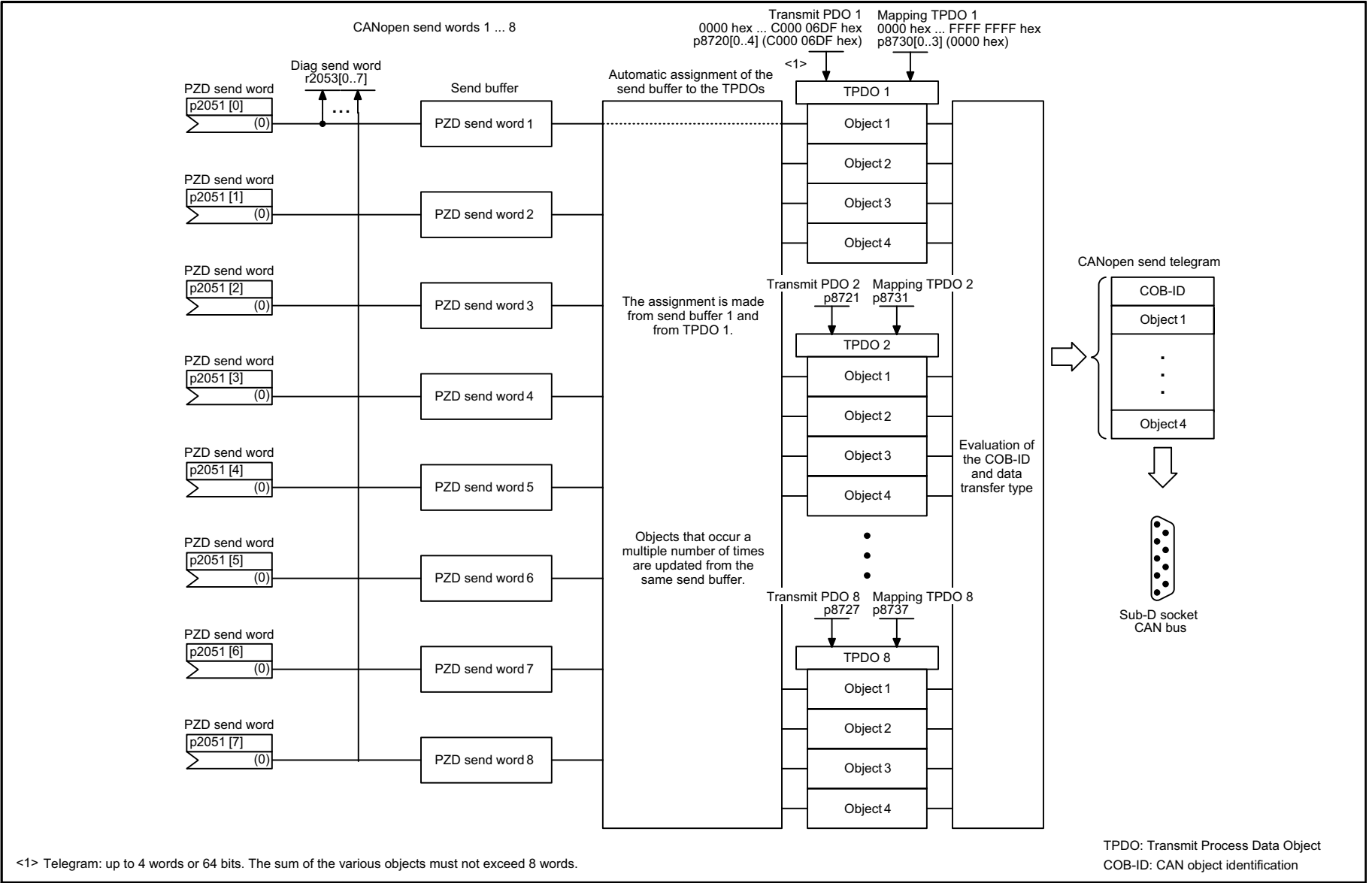


<1> To use automatic BICO interconnection (p8790 = 1), one of the receive words 1 - 4 must be used as control word 1 (STW1).
 <2> Telegram: up to 4 words or 64 bits. The sum of the various objects must not exceed 8 words.

RPDO: Receive Process Data Object
 COB-ID: CAN object identification

1	2	3	4	5	6	7	8
CANopen					FP_9206_97_68.vsd	Function diagram	
Receive telegram, Predefined Connection Set (p8744 = 1)					13.12.2010 V4.4	SINAMICS G120C CAN	
							- 9206 -

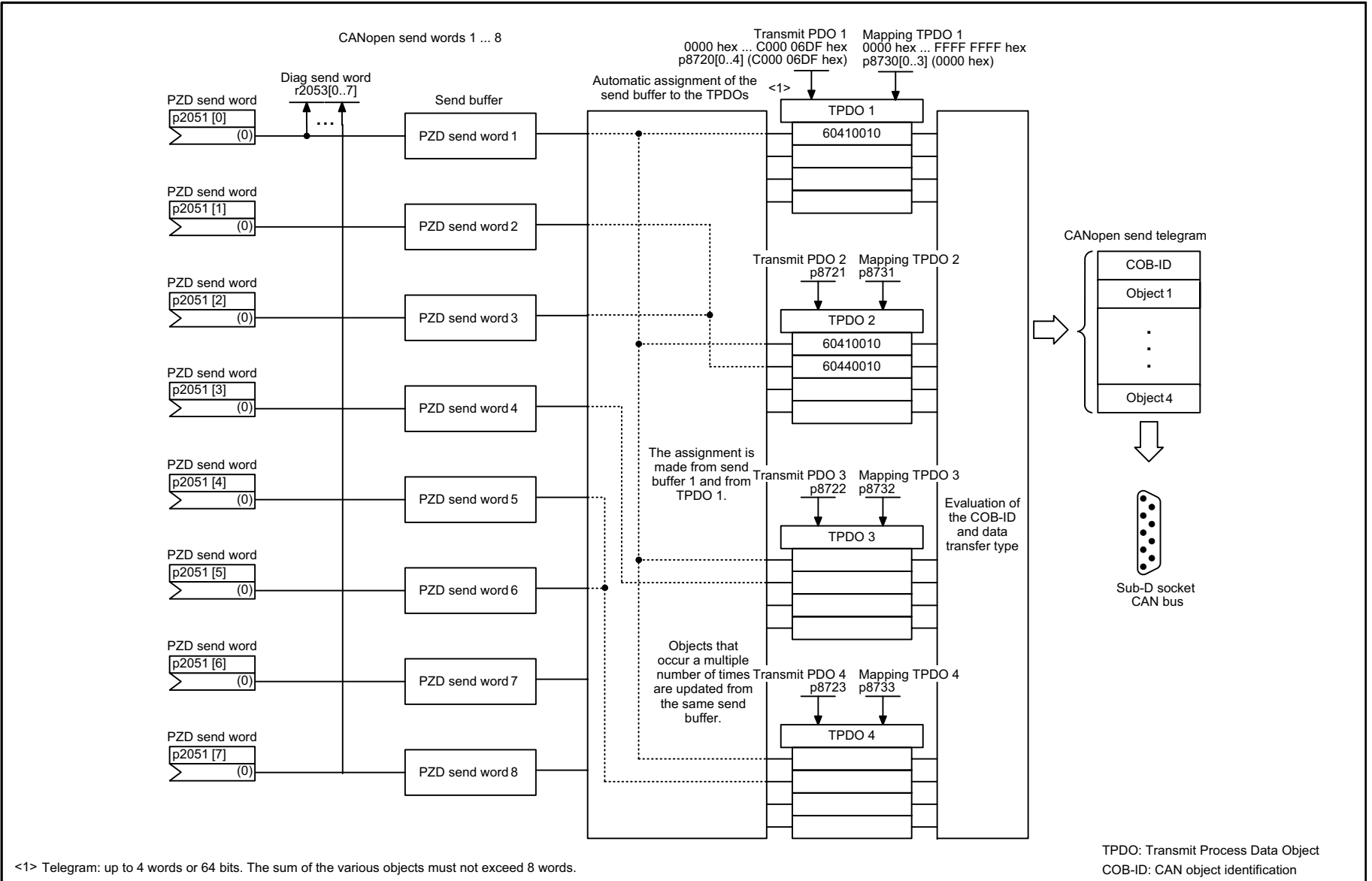
Fig. 2-35 9206 – Receive telegram, Predefined Connection Set (p8744 = 1)



<1> Telegram: up to 4 words or 64 bits. The sum of the various objects must not exceed 8 words.

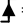
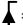
1	2	3	4	5	6	7	8
CANopen					FP_9208_97_68.vsd	Function diagram	
Send telegram, free PDO mapping (p8744 = 2)					13.12.2010 V4.4	SINAMICS G120C CAN	
							- 9208 -

Fig. 2-36 9208 – Send telegram, free PDO mapping (p8744 = 2)



1	2	3	4	5	6	7	8
CANopen					FP_9210_97_68.vsd	Function diagram	
Send telegram, Predefined Connection Set (p8744 = 1)					13.12.2010 V4.4	SINAMICS G120C CAN	
							- 9210 -

Fig. 2-37 9210 – Send telegram, Predefined Connection Set (p8744 = 1)

Signal targets for control word CANopen (r8795)				
Signal	Meaning	Interconnection parameters <1>	[Function diagram] internal control word	[Function diagram] signal target
STW1.0	 = ON (pulses can be enabled) 0 = OFF1 (braking with RFG, then pulse suppression and ready for switching on)	p0840[0] = r2090.0	[2501.3]	-
STW1.1	1 = No coast-down activated (enable possible) 0 = Activate coast-down (immediate pulse suppression and switching on inhibited)	p0844[0] = r2090.1	[2501.3]	-
STW1.2	1 = No fast stop activated (enable possible) 0 = Activate fast stop (OFF3 ramp p1135, then pulse suppression and switching on inhibited)	p0848[0] = r2090.2	[2501.3]	-
STW1.3	1 = Enable operation (pulses can be enabled) 0 = Inhibit operation (cancel pulses)	p0852[0] = r2090.3	[2501.3]	-
STW1.4	Reserved	-	-	-
STW1.5	Reserved	-	-	-
STW1.6	Reserved	-	-	-
STW1.7	 = Acknowledge fault	p2103[0] = r2090.7	[2546.1]	[8060]
STW1.8	Reserved	-	-	-
STW1.9	Reserved	-	-	-
STW1.10	Reserved	-	-	-
STW1.11	Can be freely connected	pxxxx[y] = r2090.11	-	-
STW1.12	Can be freely connected	pxxxx[y] = r2090.12	-	-
STW1.13	Can be freely connected	pxxxx[y] = r2090.13	-	-
STW1.14	Can be freely connected	pxxxx[y] = r2090.14	-	-
STW1.15	Can be freely connected	pxxxx[y] = r2090.15	-	-

<1> Depending on the position of the CANopen control word in p8750, the number of the binector to be connected changes.

1	2	3	4	5	6	7	8
CANopen					FP_9220_97_68.vsd	Function diagram	
Control word, CANopen					13.12.2010 V4.4	SINAMICS G120C CAN	
							- 9220 -

Fig. 2-38 9220 – Control word, CANopen

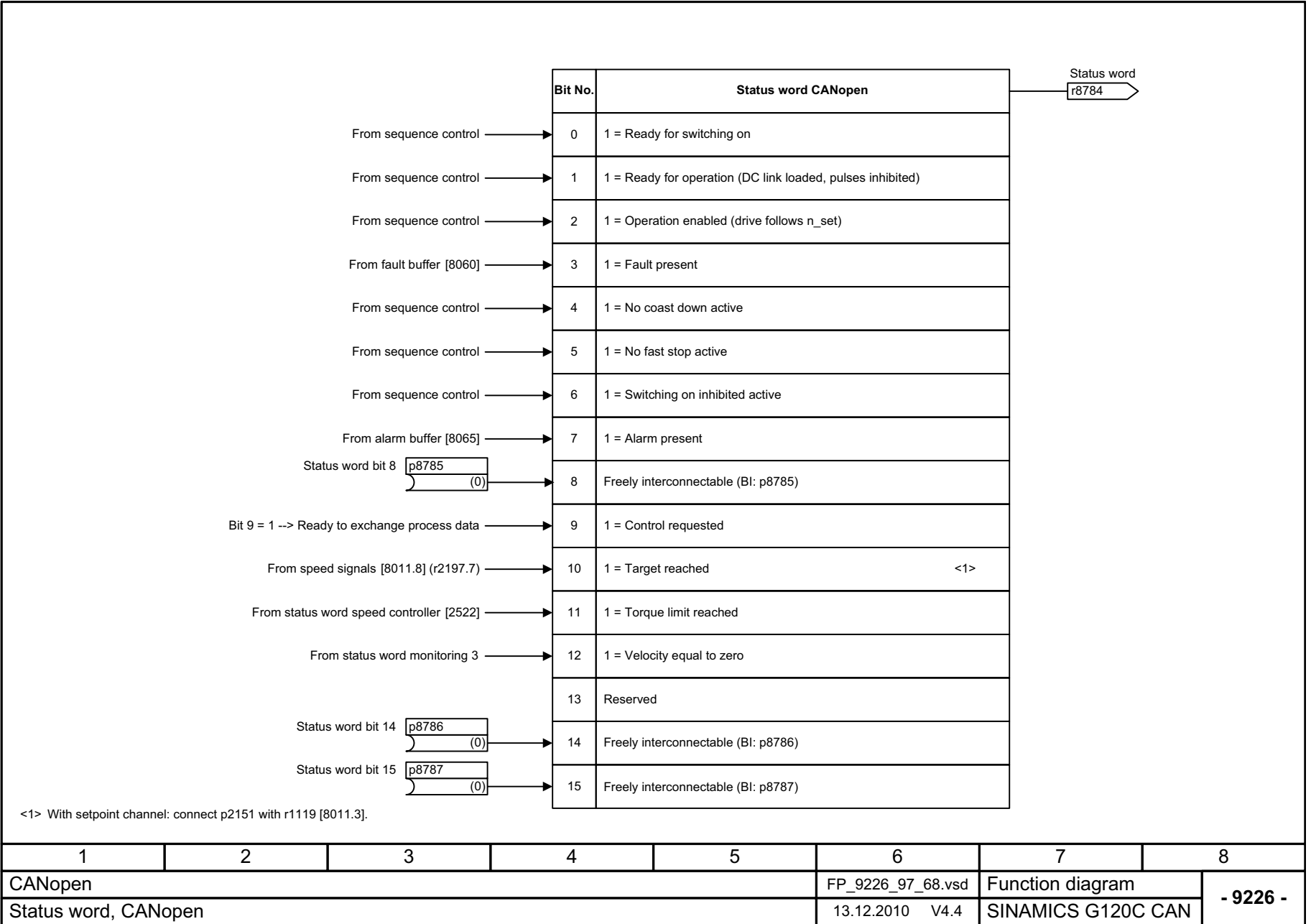


Fig. 2-39 9226 – Status word, CANopen

2.6 Internal control/status words

Function diagrams

2501 – Control word, sequence control	2-331
2503 – Status word, sequence control	2-332
2505 – Control word, setpoint channel	2-333
2510 – Status word 1 (r0052)	2-334
2511 – Status word 2 (r0053)	2-335
2512 – Control word 1 (r0054)	2-336
2513 – Control word 2 (r0055)	2-337
2513 – Control word 2 (r0055)	2-337
2522 – Status word, speed controller	2-338
2526 – Status word, closed-loop control	2-339
2530 – Status word, current control	2-340
2534 – Status word, monitoring functions 1	2-341
2536 – Status word, monitoring functions 2	2-342
2537 – Status word, monitoring functions 3	2-343
2546 – Control word, faults/alarms	2-344
2548 – Status word, faults/alarms 1 and 2	2-345
2634 – Sequence control - Missing enable signals	2-346

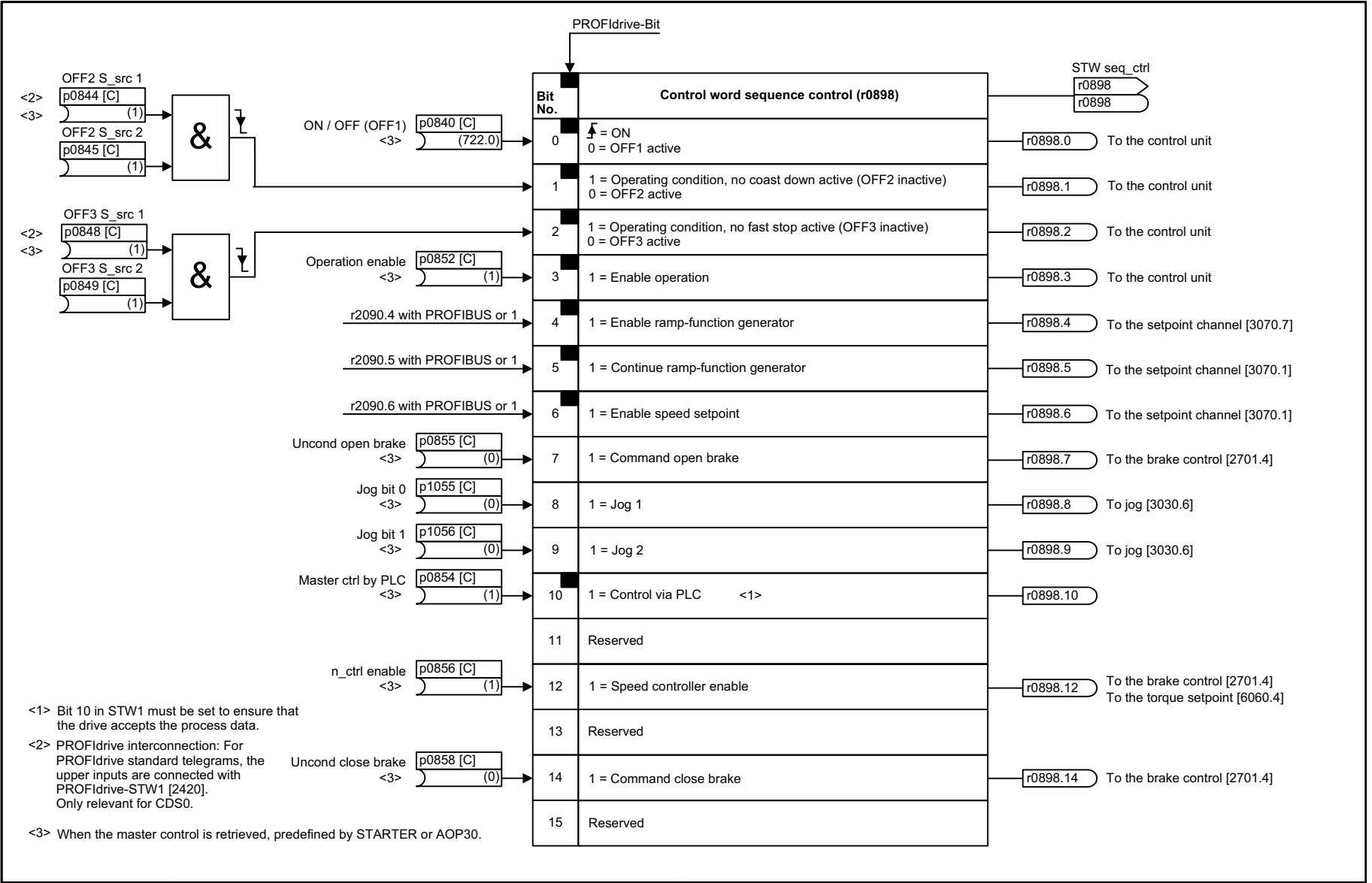


Fig. 2-40 2501 – Control word, sequence control

1	2	3	4	5	6	7	8
Internal control/status words					FP_2501_97_05.vsd	Function diagram	
Control word, sequence control					13.12.2010 V4.4	SINAMICS G120C	
- 2501 -							

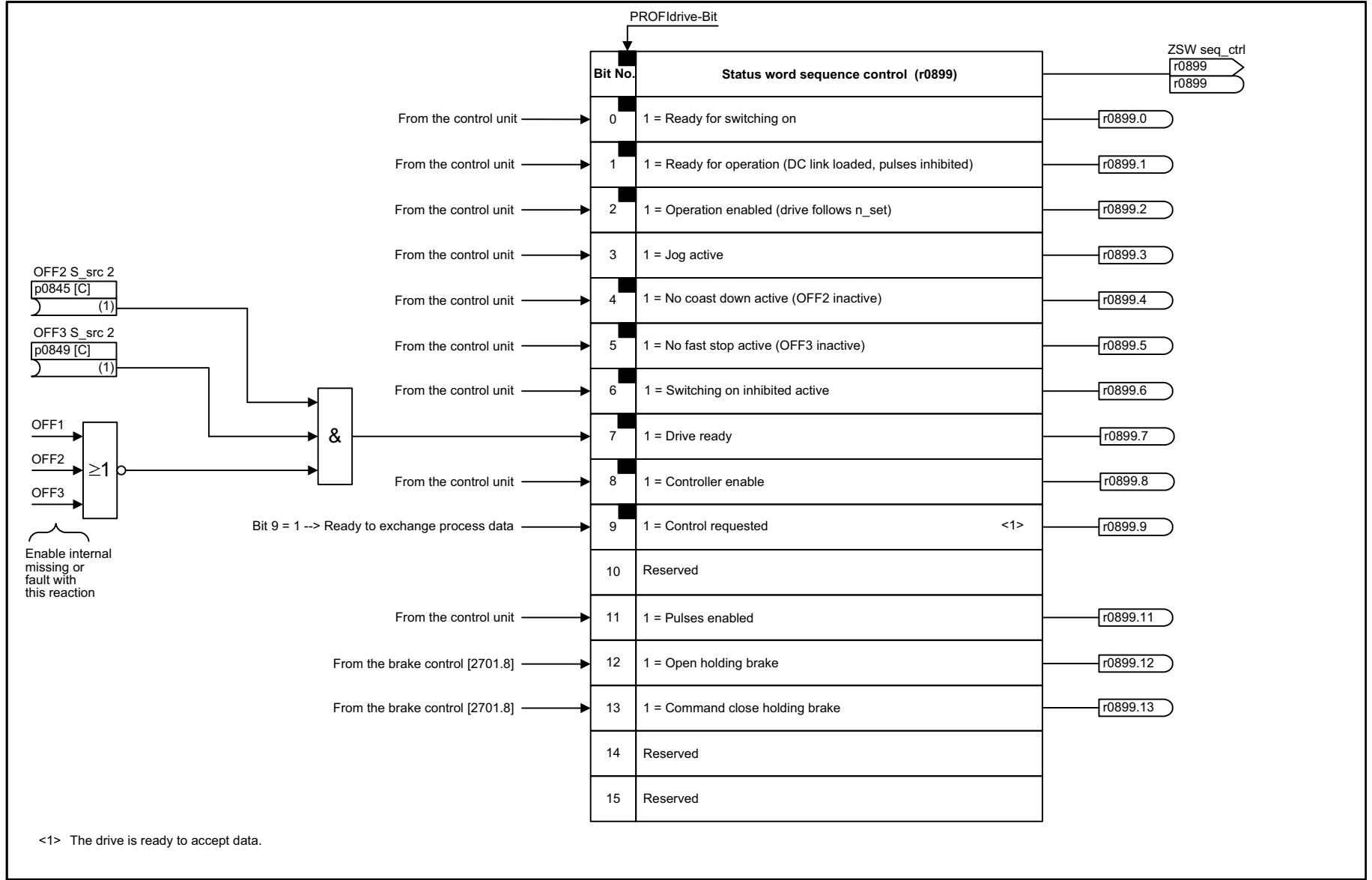


Fig. 2-41 2503 – Status word, sequence control

1	2	3	4	5	6	7	8
Internal control/status words					FP_2503_97_05.vsd	Function diagram	
Status word, sequence control					13.12.2010 V4.4	SINAMICS G120C	

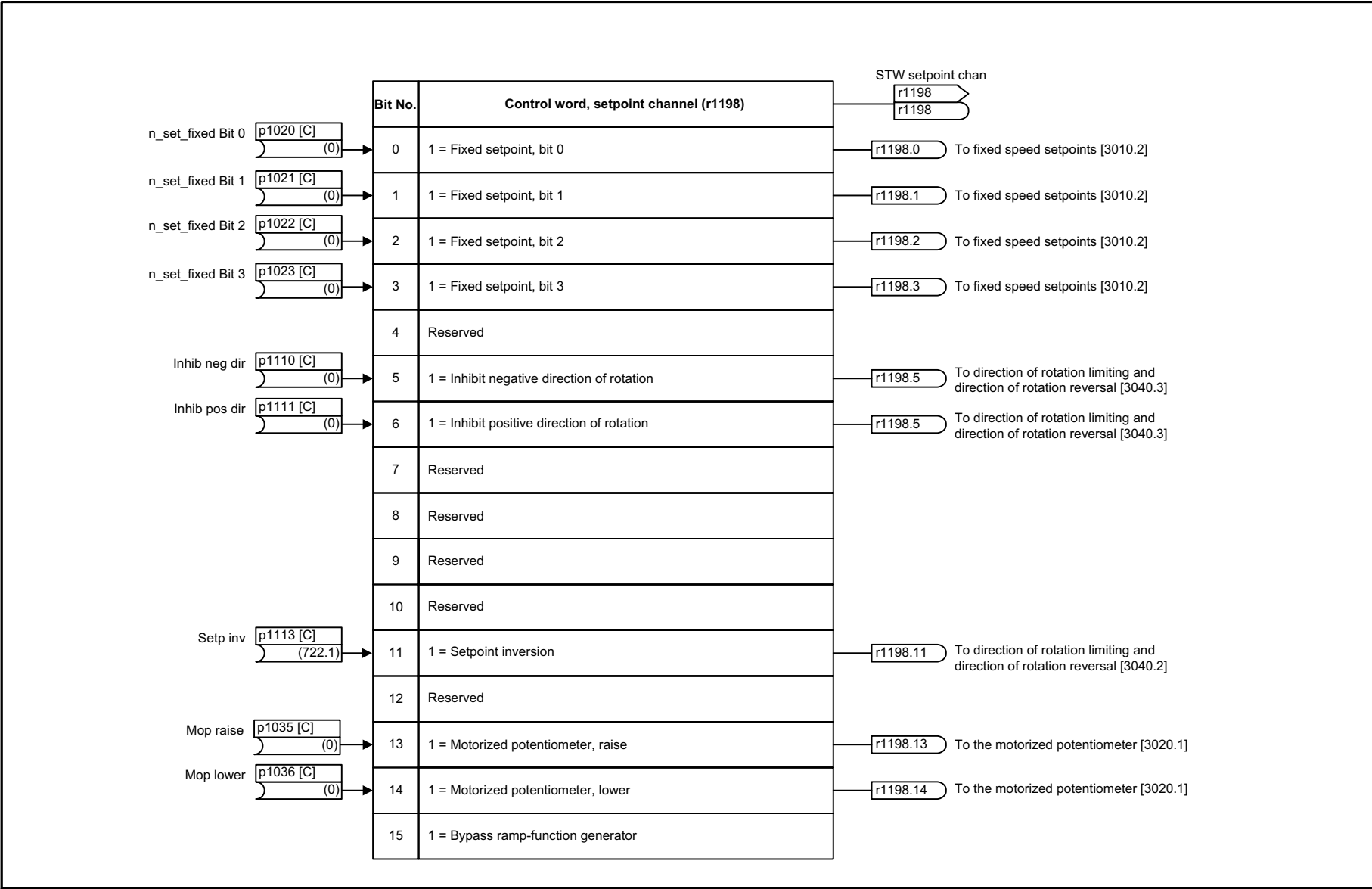


Fig. 2-42 2505 – Control word, setpoint channel

1	2	3	4	5	6	7	8
Internal control/status words					FP_2505_97_05.vsd	Function diagram	
Control word, setpoint channel					13.12.2010 V4.4	SINAMICS G120C	

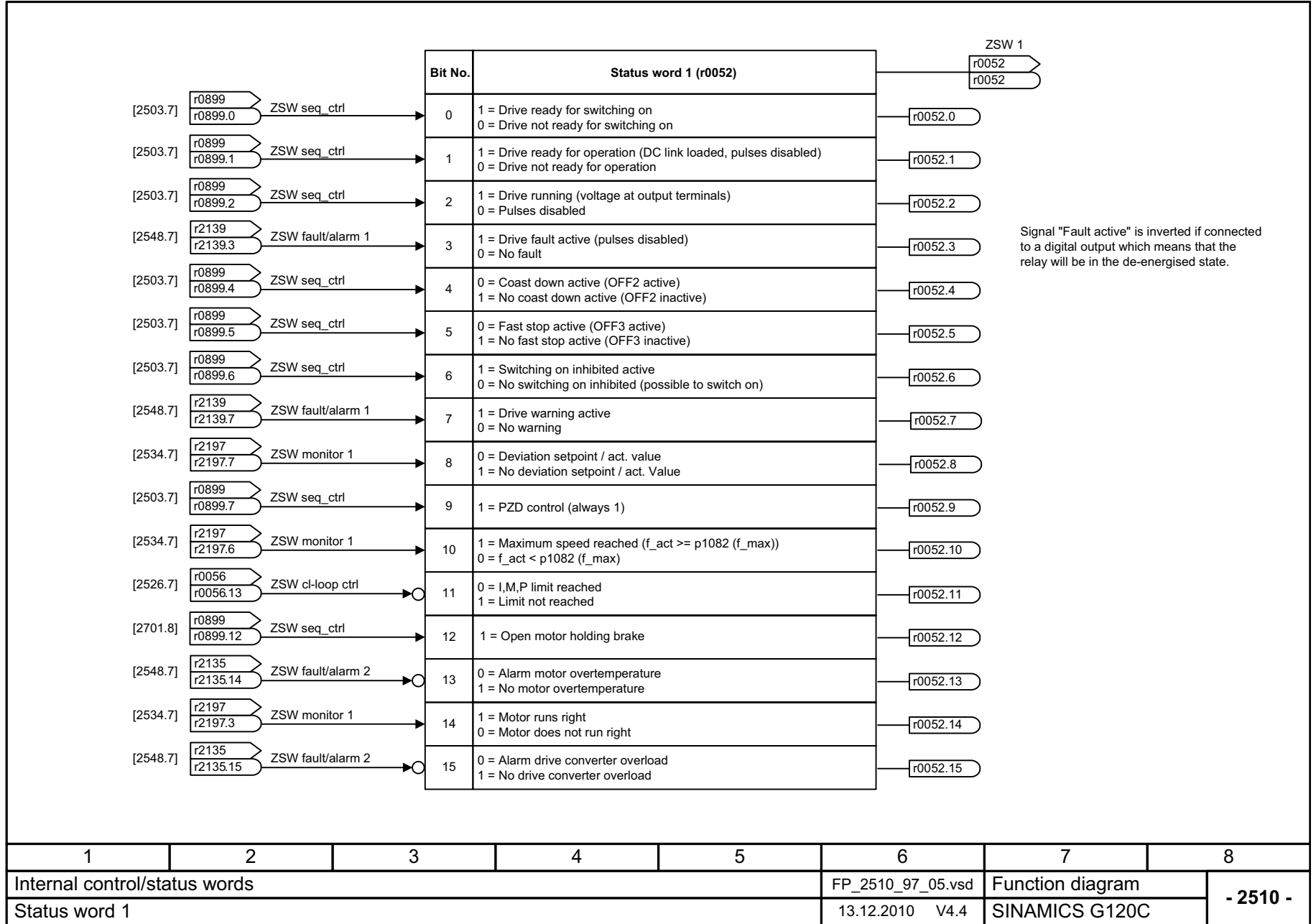


Fig. 2-43 2510 – Status word 1 (r0052)

1	2	3	4	5	6	7	8
Internal control/status words					FP_2510_97_05.vsd	Function diagram	
Status word 1					13.12.2010 V4.4	SINAMICS G120C	

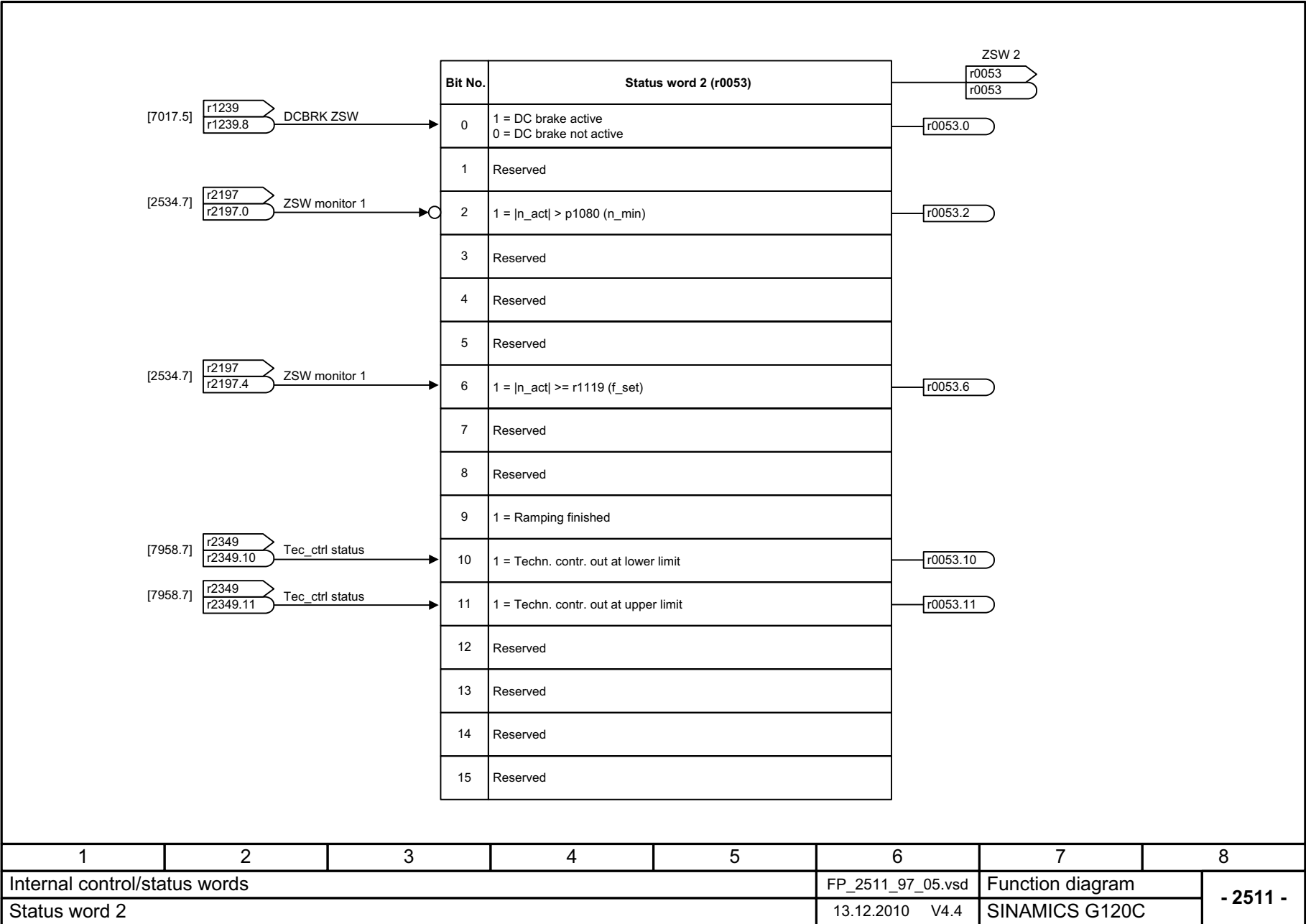


Fig. 2-44 2511 – Status word 2 (r0053)

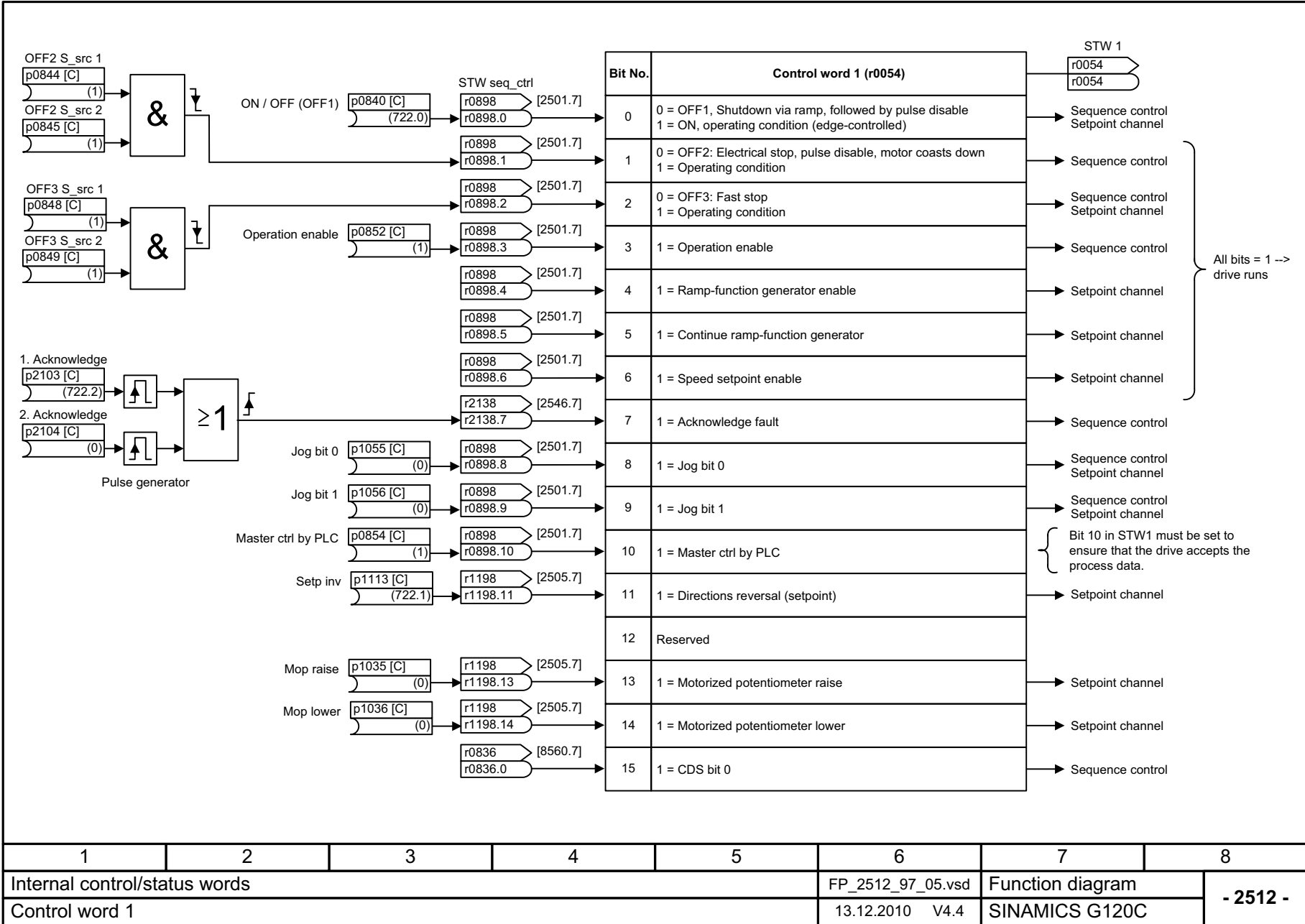
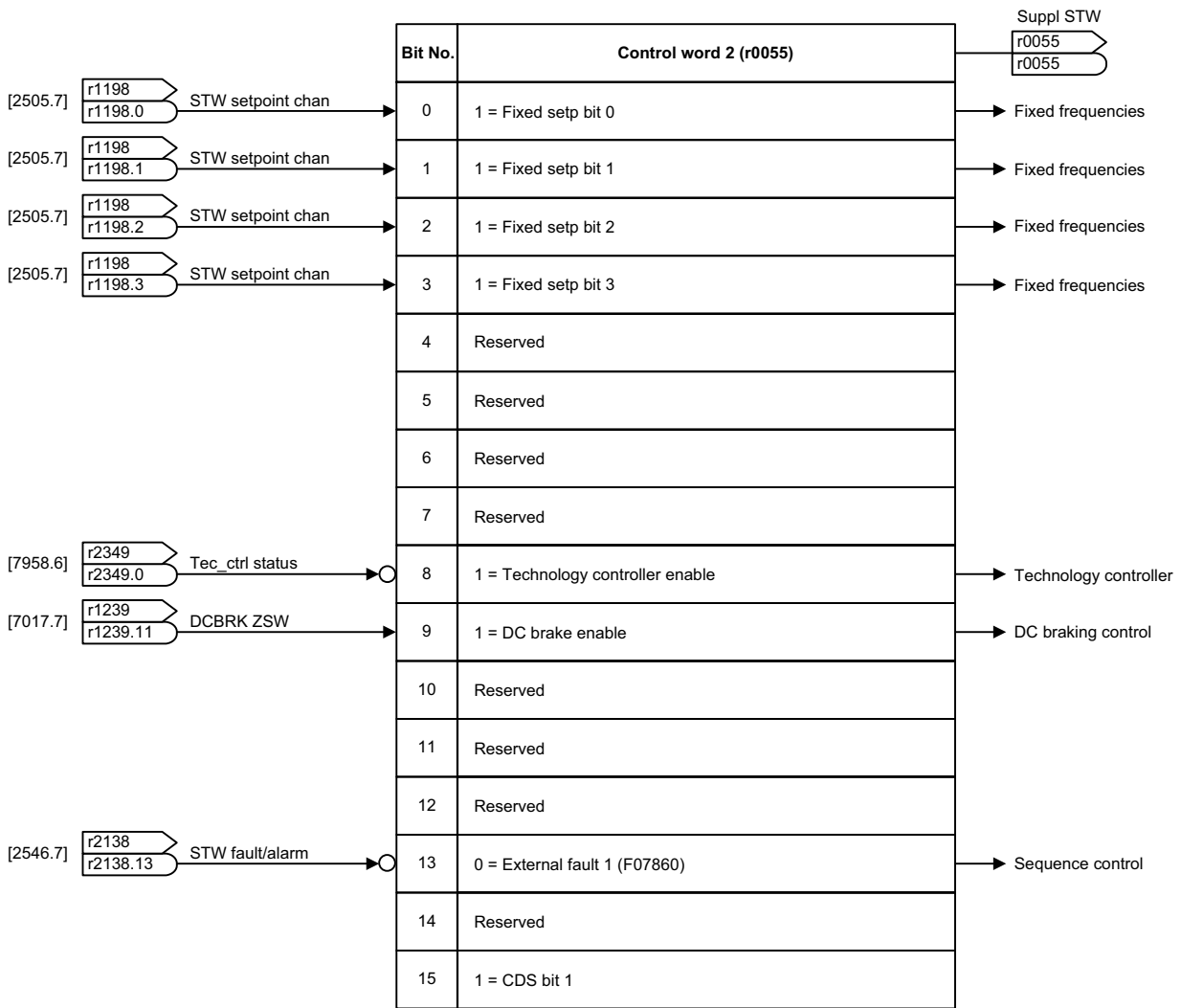


Fig. 2-45 2512 – Control word 1 (r0054)

1	2	3	4	5	6	7	8
Internal control/status words					FP_2512_97_05.vsd	Function diagram	
Control word 1					13.12.2010 V4.4	SINAMICS G120C	
- 2512 -							



1	2	3	4	5	6	7	8
Internal control/status words					FP_2513_97_05.vsd	Function diagram	
Control word 2					13.12.2010 V4.4	SINAMICS G120C	

Fig. 2-46 2513 – Control word 2 (r0055)

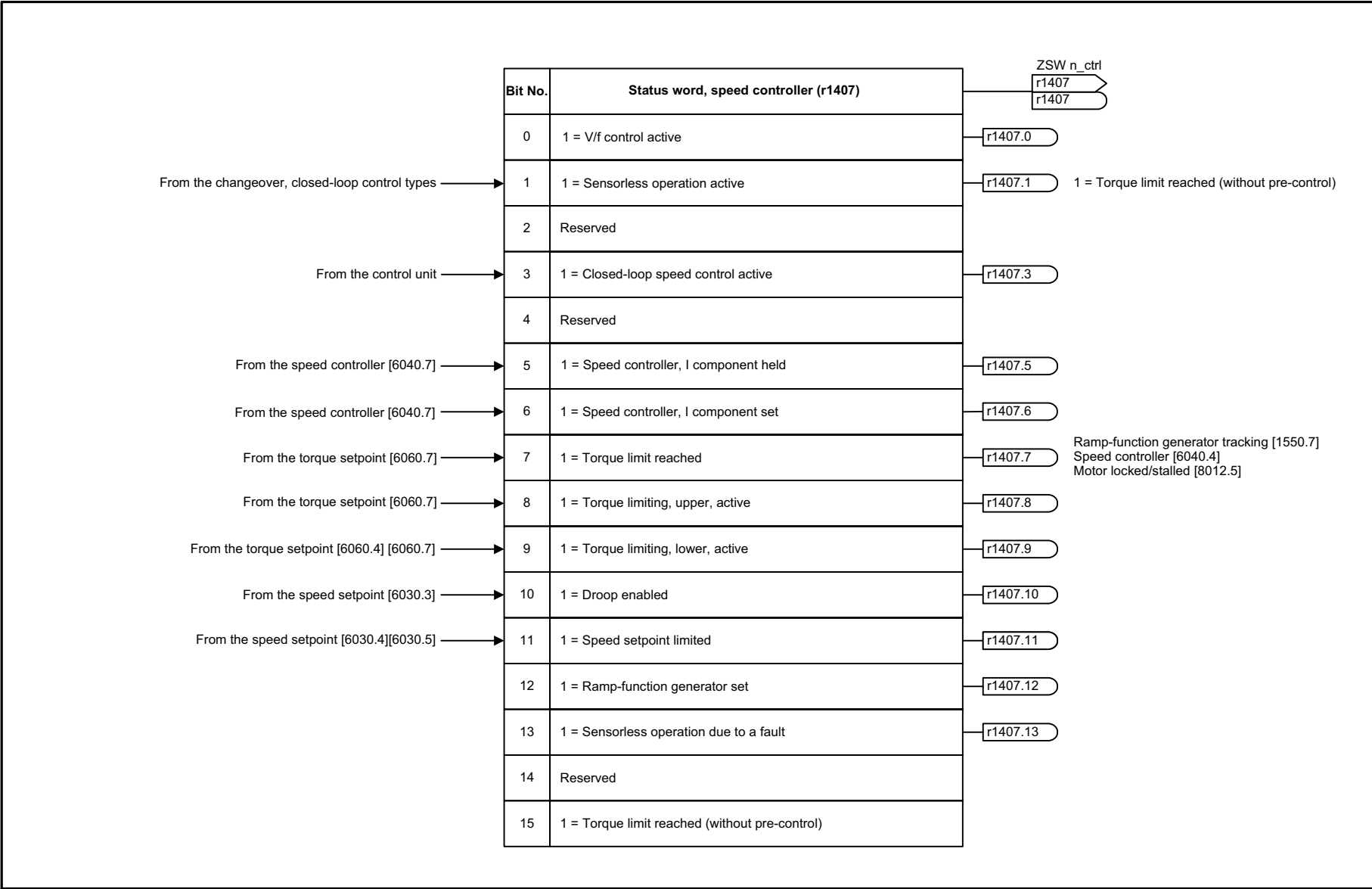


Fig. 2-47 2522 – Status word, speed controller

1	2	3	4	5	6	7	8
Internal control/status words					FP_2522_97_05.vsd	Function diagram	
Status word, speed controller					13.12.2010 V4.4	SINAMICS G120C	

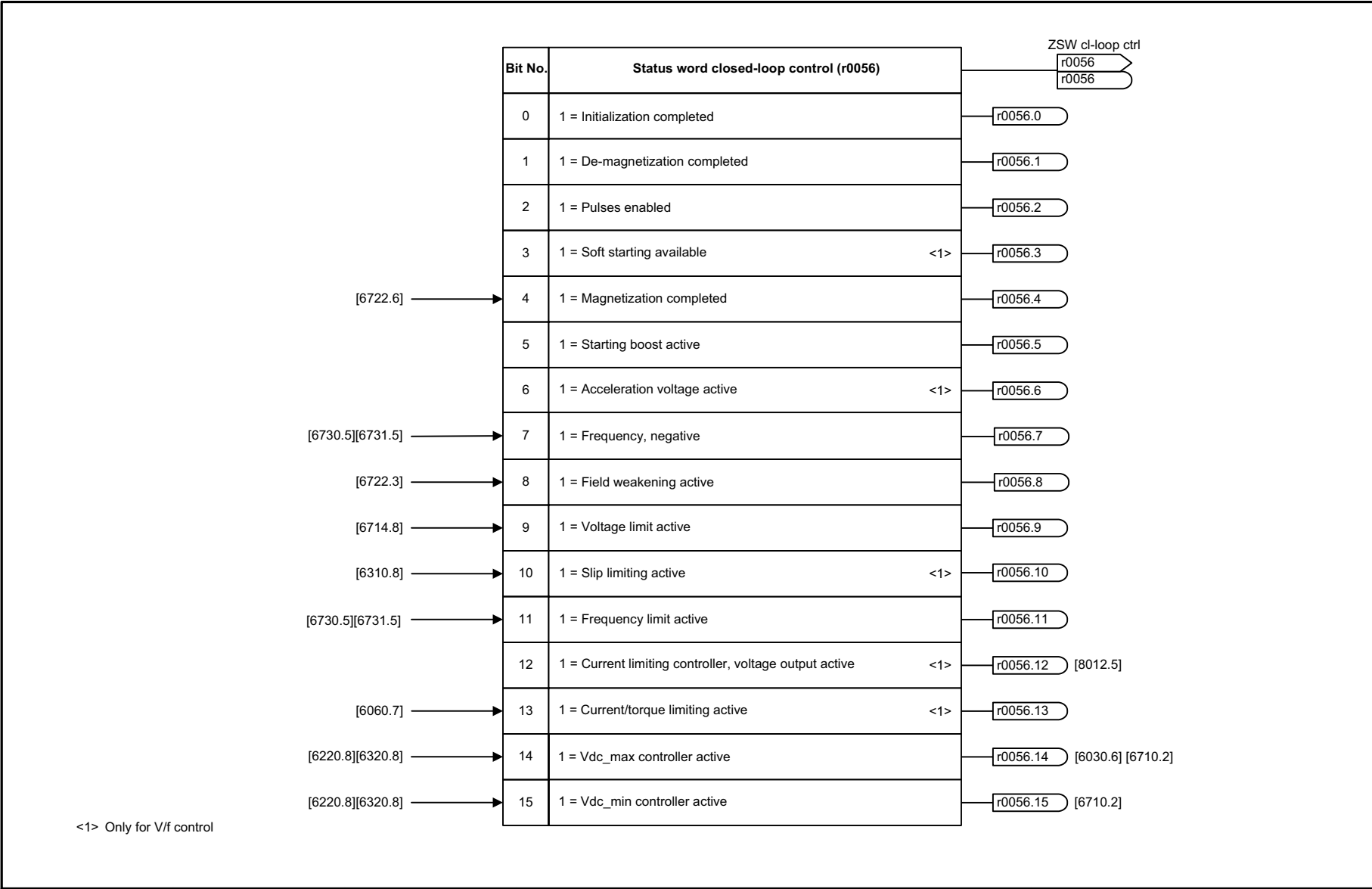


Fig. 2-48 2526 – Status word, closed-loop control

1	2	3	4	5	6	7	8
Internal control/status words					FP_2526_97_61.vsd	Function diagram	
Status word, closed-loop control					13.12.2010 V4.4	SINAMICS G120C	

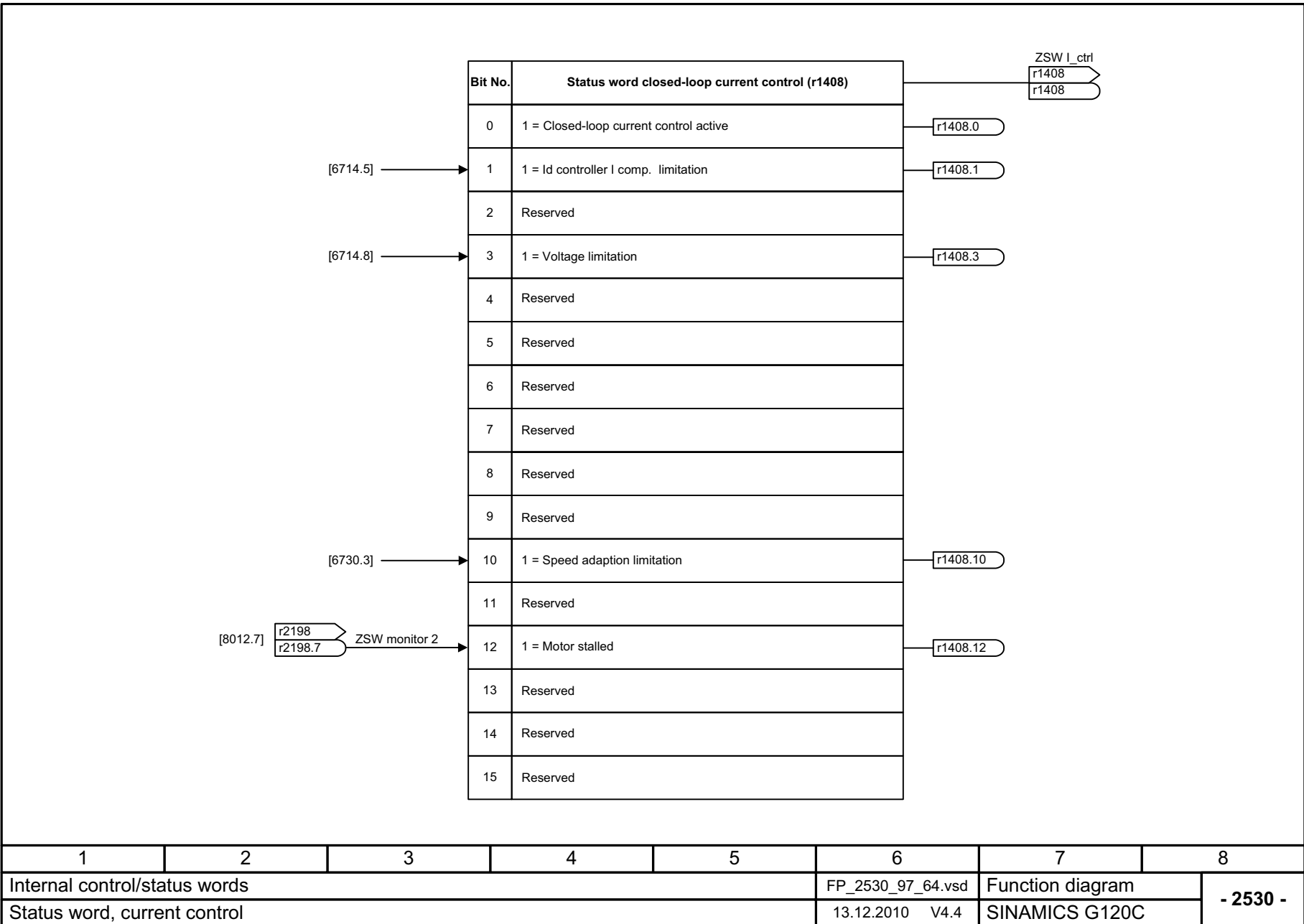


Fig. 2-49 2530 – Status word, current control

2-340

1	2	3	4	5	6	7	8
Internal control/status words					FP_2530_97_64.vsd	Function diagram	
Status word, current control					13.12.2010 V4.4	SINAMICS G120C	
							- 2530 -

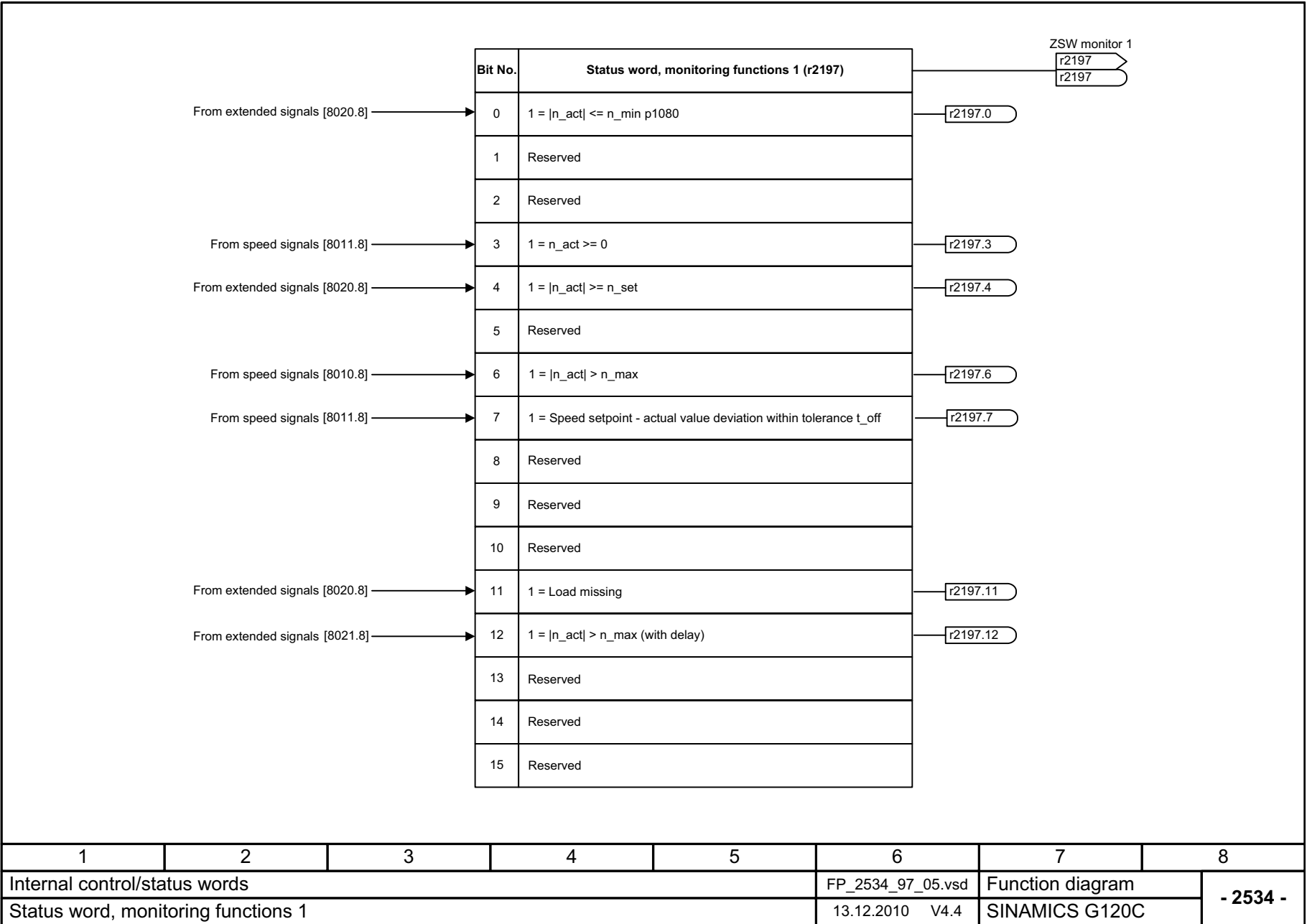


Fig. 2-50 2534 – Status word, monitoring functions 1

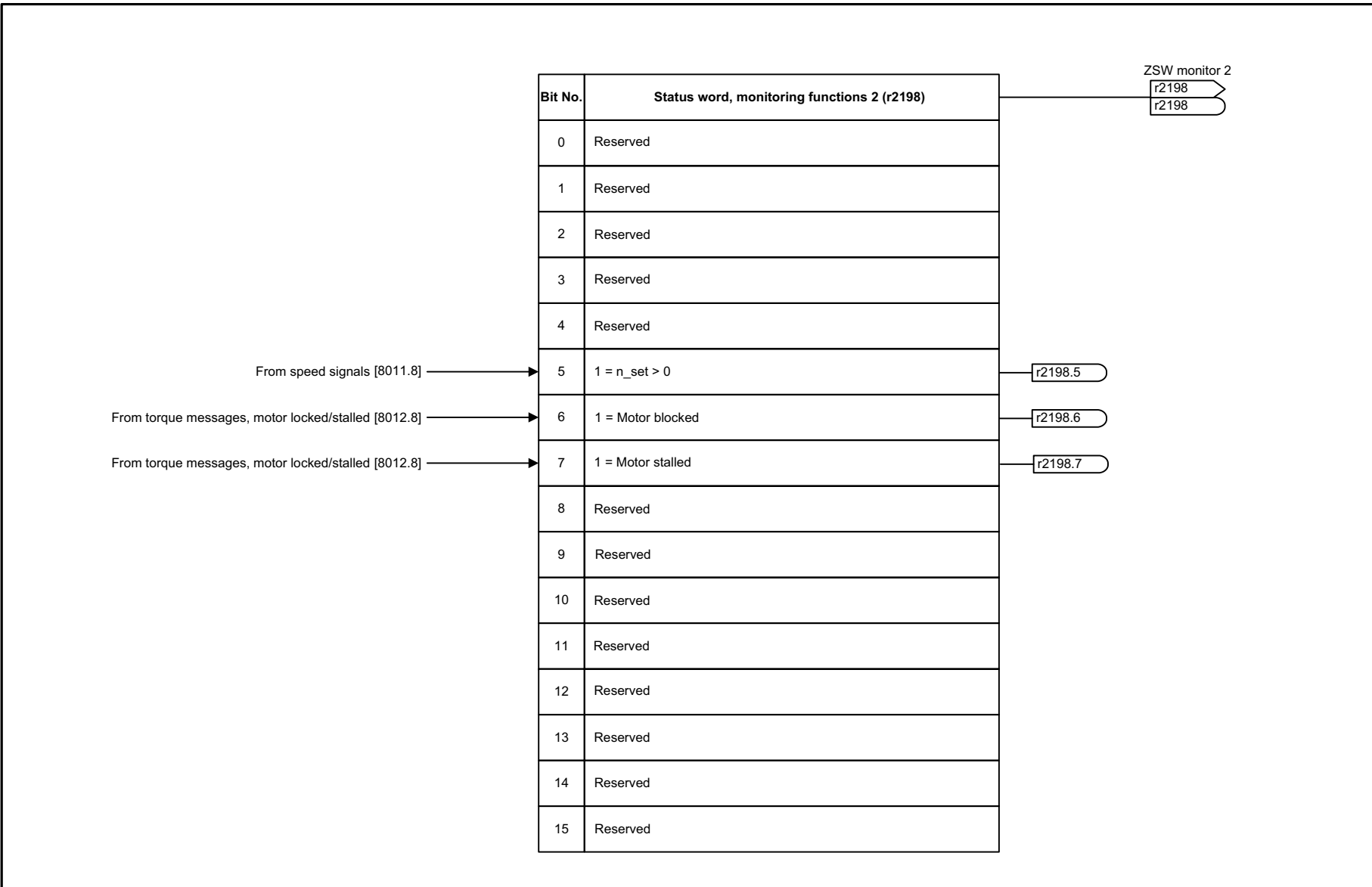


Fig. 2-51 2536 – Status word, monitoring functions 2

2-342

1	2	3	4	5	6	7	8
Internal control/status words					FP_2536_97_05.vsd	Function diagram	
Status word, monitoring functions 2					13.12.2010 V4.4	SINAMICS G120C	
- 2536 -							

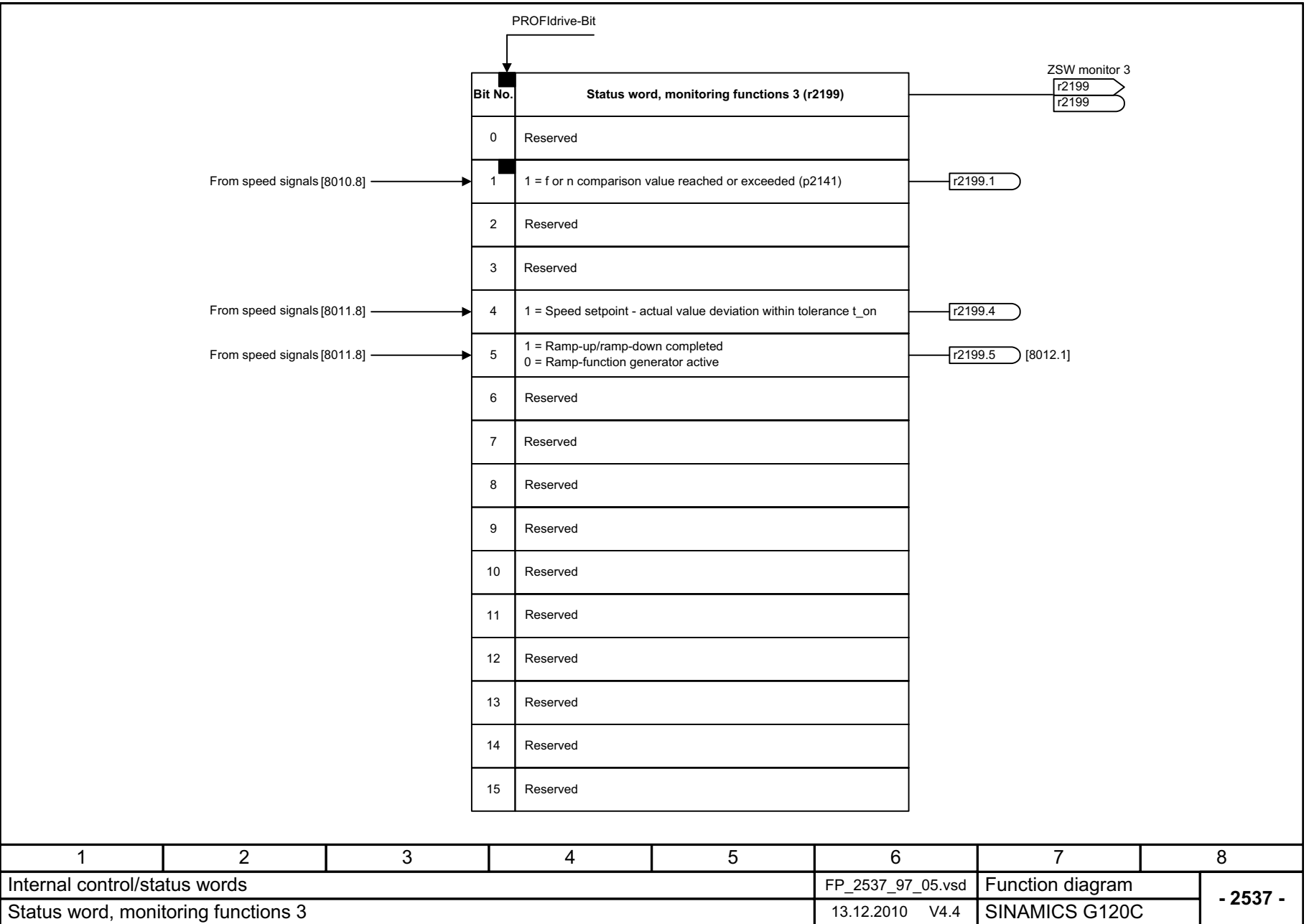


Fig. 2-52 2537 – Status word, monitoring functions 3

1	2	3	4	5	6	7	8
Internal control/status words					FP_2537_97_05.vsd	Function diagram	
Status word, monitoring functions 3					13.12.2010 V4.4	SINAMICS G120C	

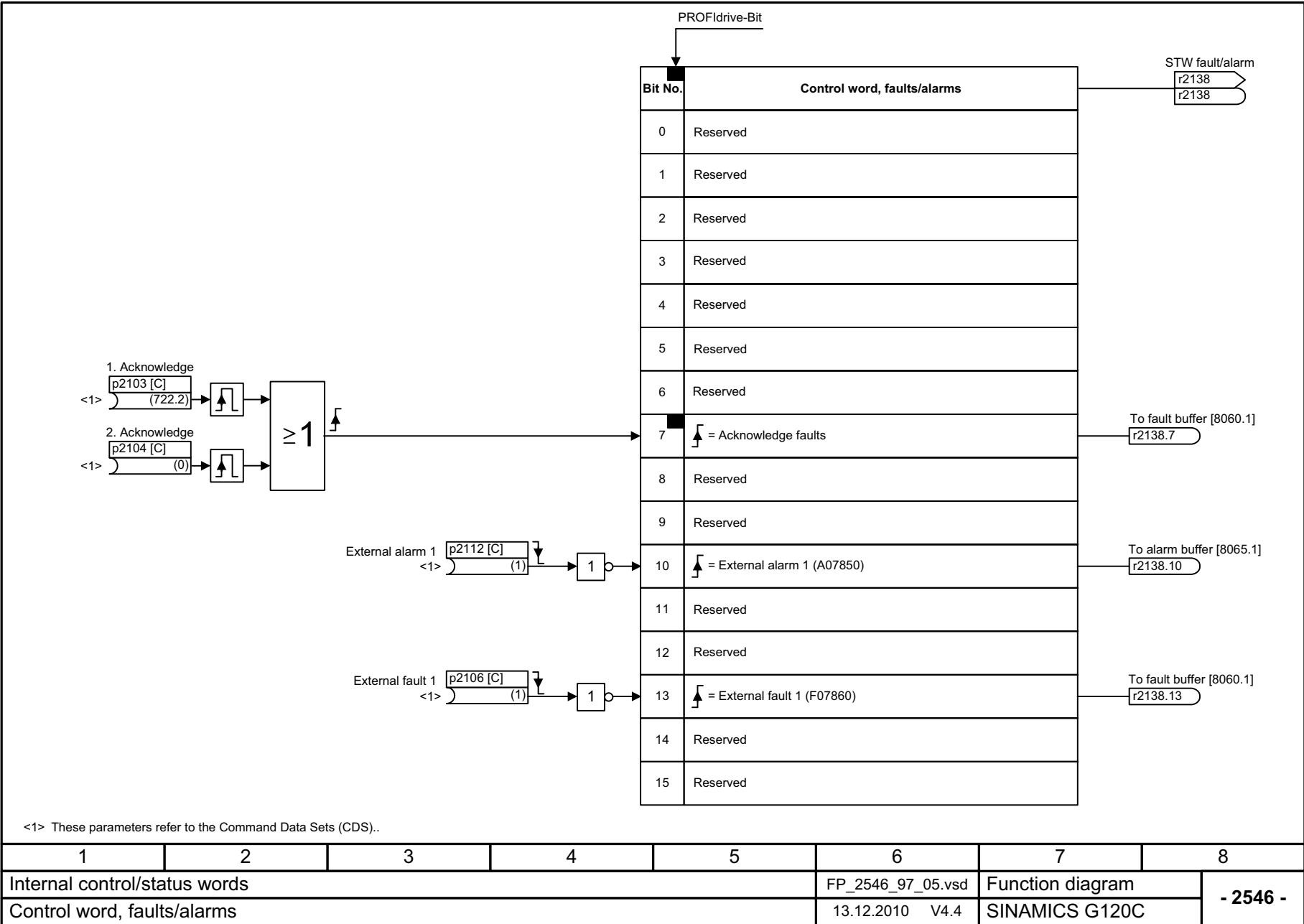


Fig. 2-53 2546 – Control word, faults/alarms

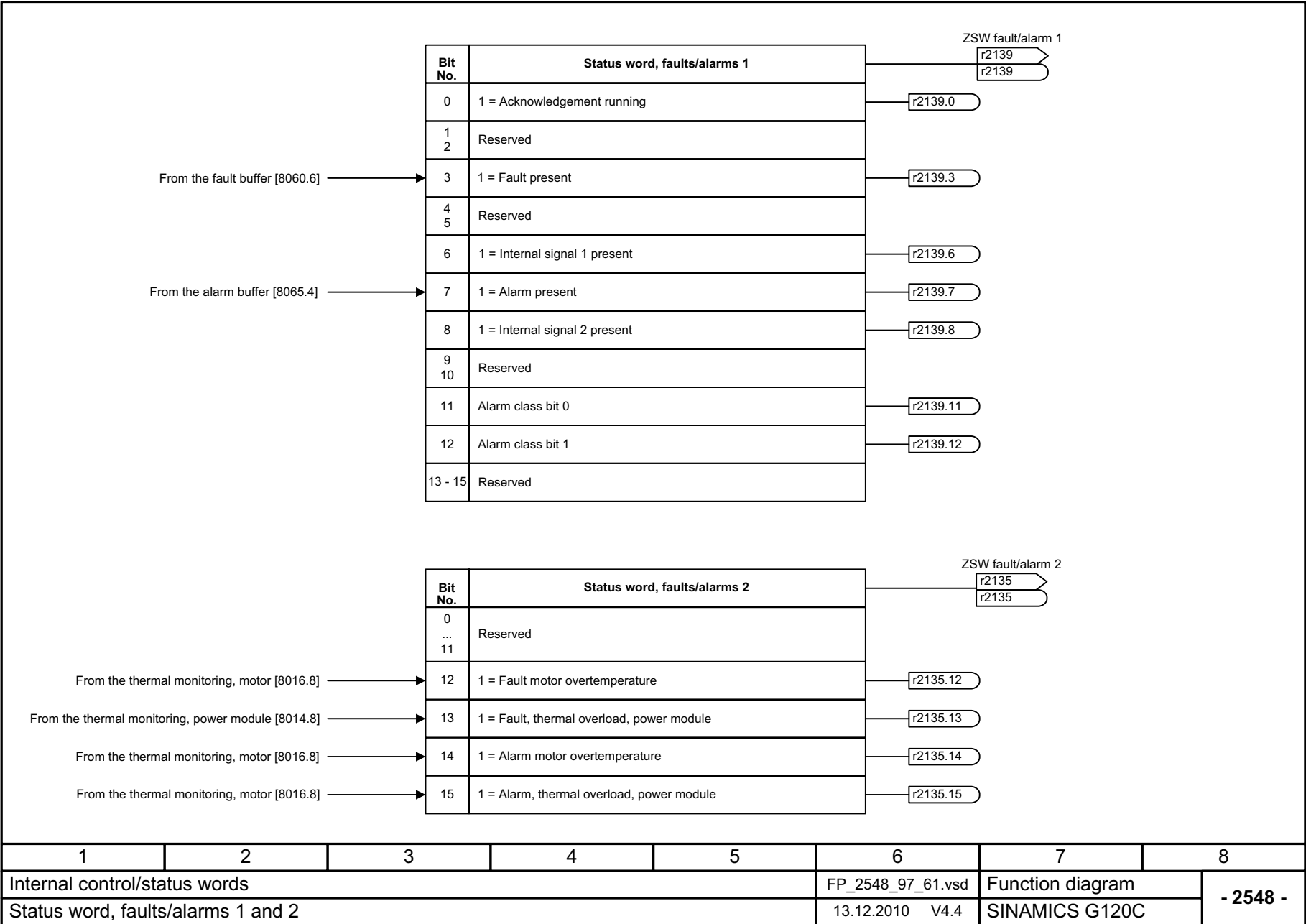


Fig. 2-54 2548 – Status word, faults/alarms 1 and 2

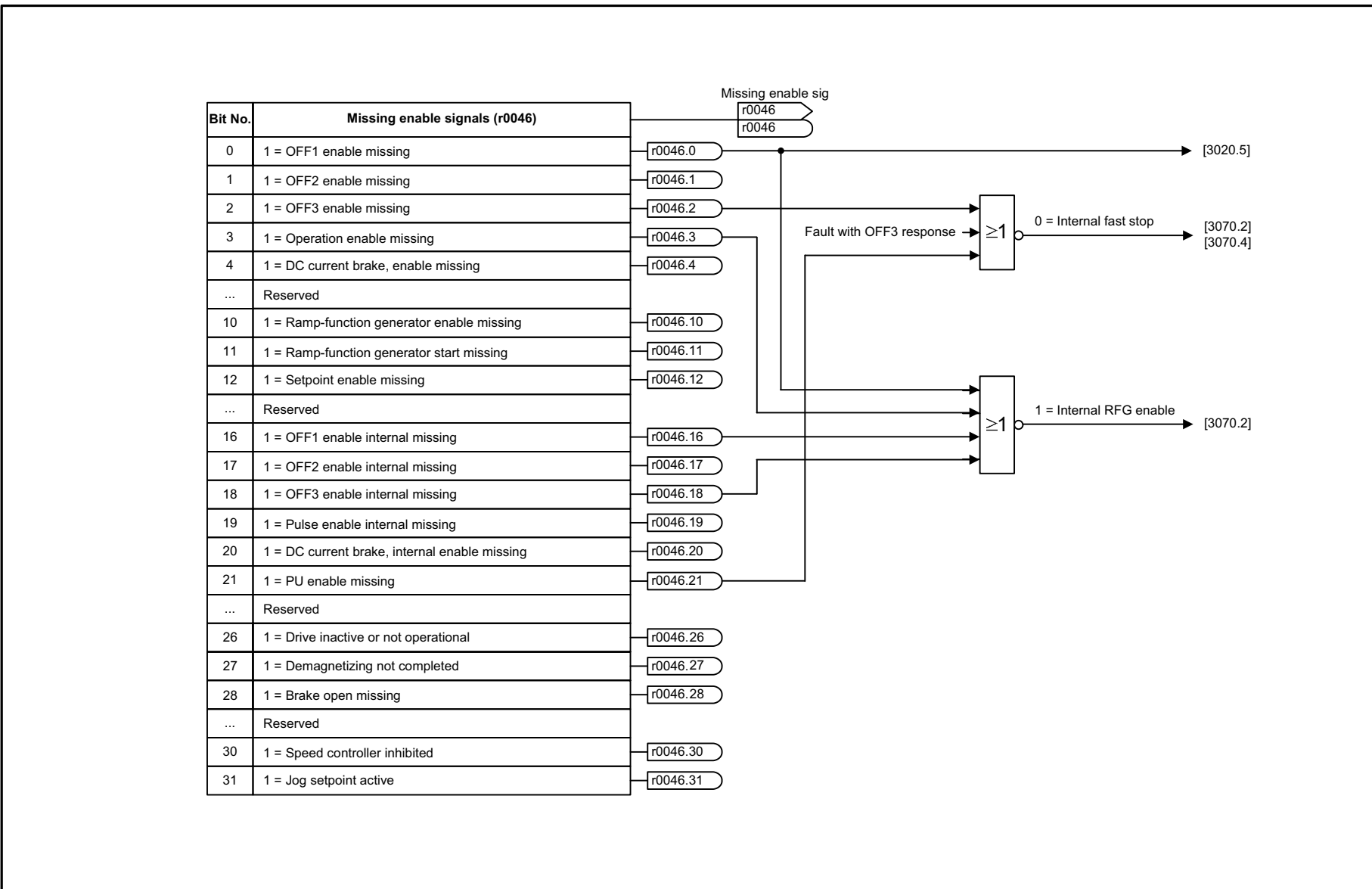


Fig. 2-55 2634 – Sequence control - Missing enable signals

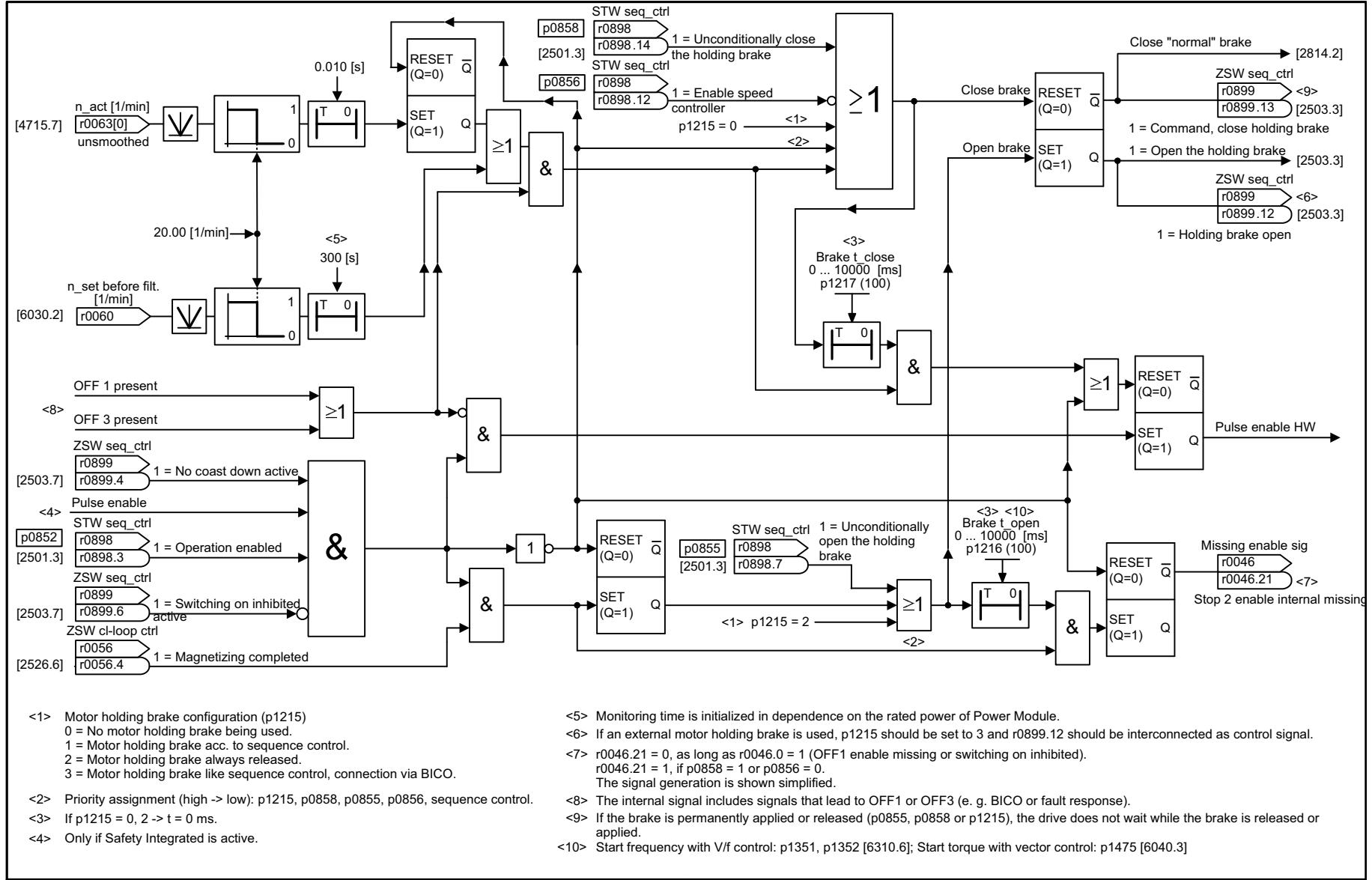
1	2	3	4	5	6	7	8
Internal control/status words					FP_2634_97_61.vsd	Function diagram	
Sequence control - Missing enable signals					13.12.2010 V4.4	SINAMICS G120C	
- 2634 -							

2.7 Braking Control

Function diagrams

2701 – Basic braking control

2-348



- <1> Motor holding brake configuration (p1215)
0 = No motor holding brake being used.
1 = Motor holding brake acc. to sequence control.
2 = Motor holding brake always released.
3 = Motor holding brake like sequence control, connection via BICO.
- <2> Priority assignment (high -> low): p1215, p0858, p0855, p0856, sequence control.
- <3> If p1215 = 0, 2 -> t = 0 ms.
- <4> Only if Safety Integrated is active.
- <5> Monitoring time is initialized in dependence on the rated power of Power Module.
- <6> If an external motor holding brake is used, p1215 should be set to 3 and r0899.12 should be interconnected as control signal.
- <7> r0046.21 = 0, as long as r0046.0 = 1 (OFF1 enable missing or switching on inhibited).
r0046.21 = 1, if p0858 = 1 or p0856 = 0.
The signal generation is shown simplified.
- <8> The internal signal includes signals that lead to OFF1 or OFF3 (e. g. BICO or fault response).
- <9> If the brake is permanently applied or released (p0855, p0858 or p1215), the drive does not wait while the brake is released or applied.
- <10> Start frequency with V/f control: p1351, p1352 [6310.6]; Start torque with vector control: p1475 [6040.3]

Fig. 2-56 2701 – Basic braking control

1	2	3	4	5	6	7	8
Braking Control					FP_2701_97_05.vsd	Function diagram	
Basic braking control					13.12.2010 V4.4	SINAMICS G120C	
							- 2701 -

2.8 Safety Integrated

Function diagrams

2800 – Basic Functions, Parameter Manager	2-350
2802 – Basic Functions, Monitoring functions and faults/alarms	2-351
2804 – Basic Functions, Status words	2-352
2810 – Basic Functions, STO: Safe Torque Off	2-353
2812 – Basic Functions, F-DI: Fail-safe Digital Input	2-354

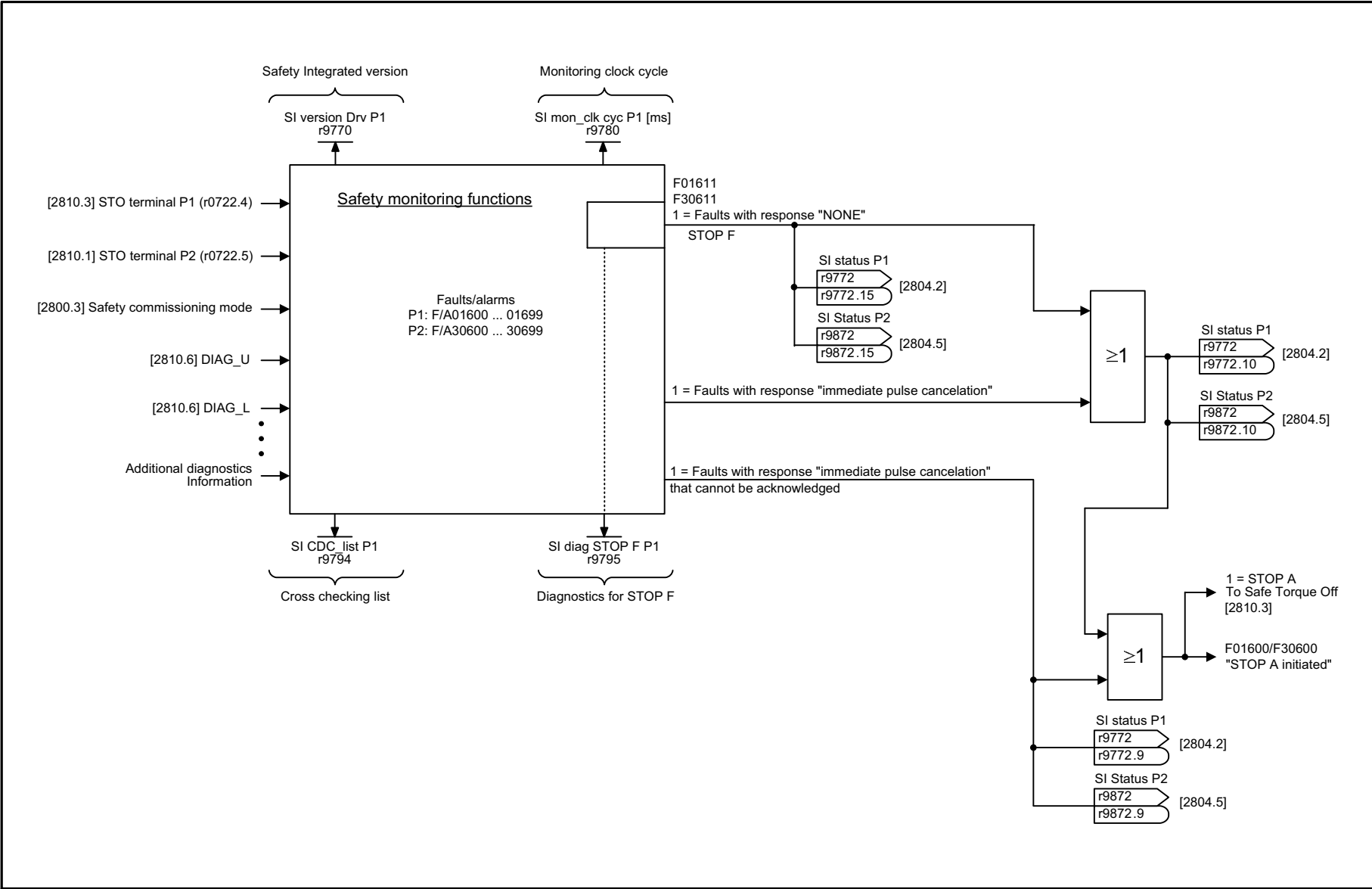


Fig. 2-58 2802 – Basic Functions, Monitoring functions and faults/alarms

1	2	3	4	5	6	7	8
Safety Integrated					FP_2802_97_63.vsd	Function diagram	
Basic Functions, Monitoring functions and faults/alarms					13.12.2010 V4.4	SINAMICS G120C	
							- 2802 -

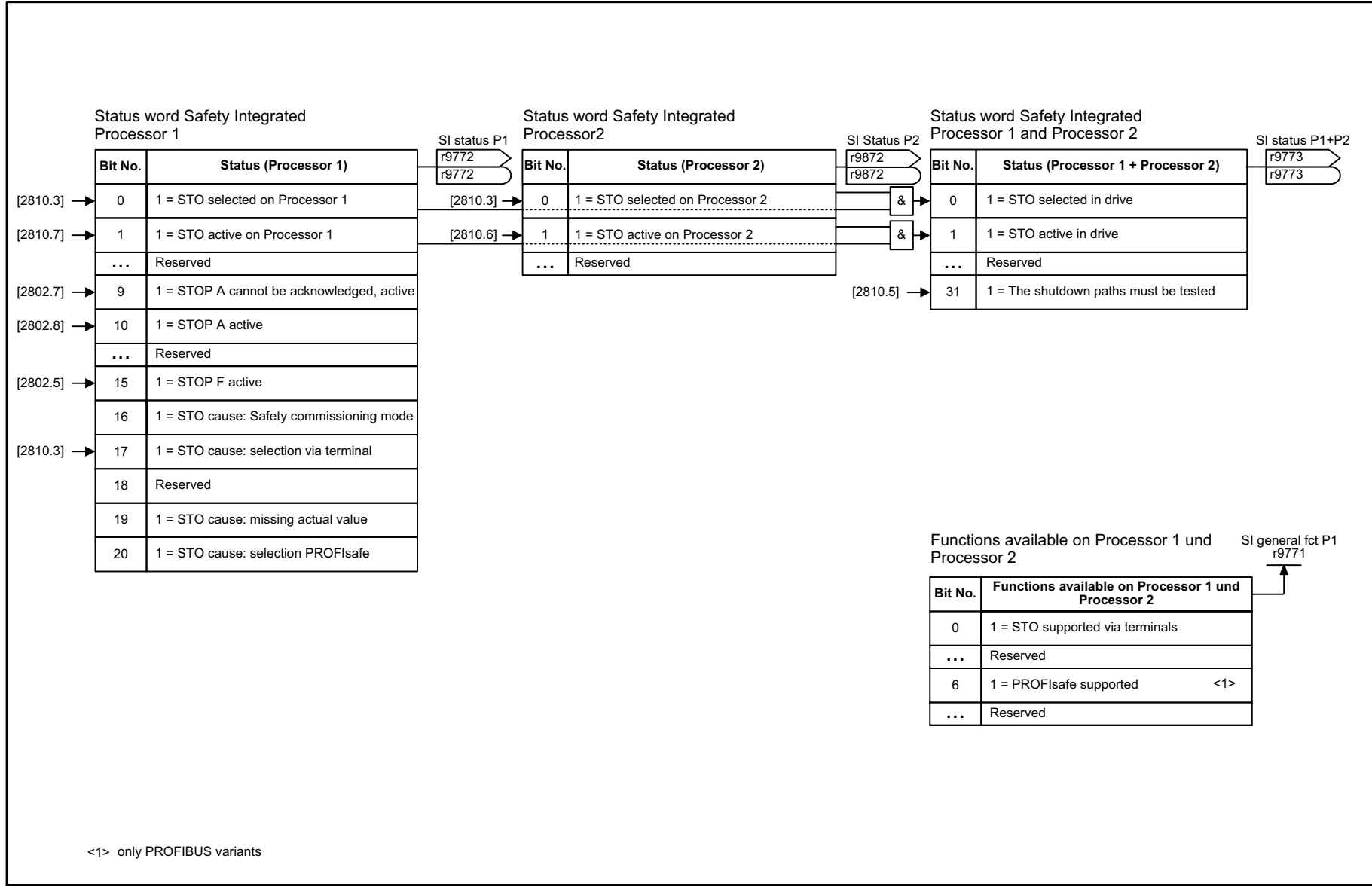
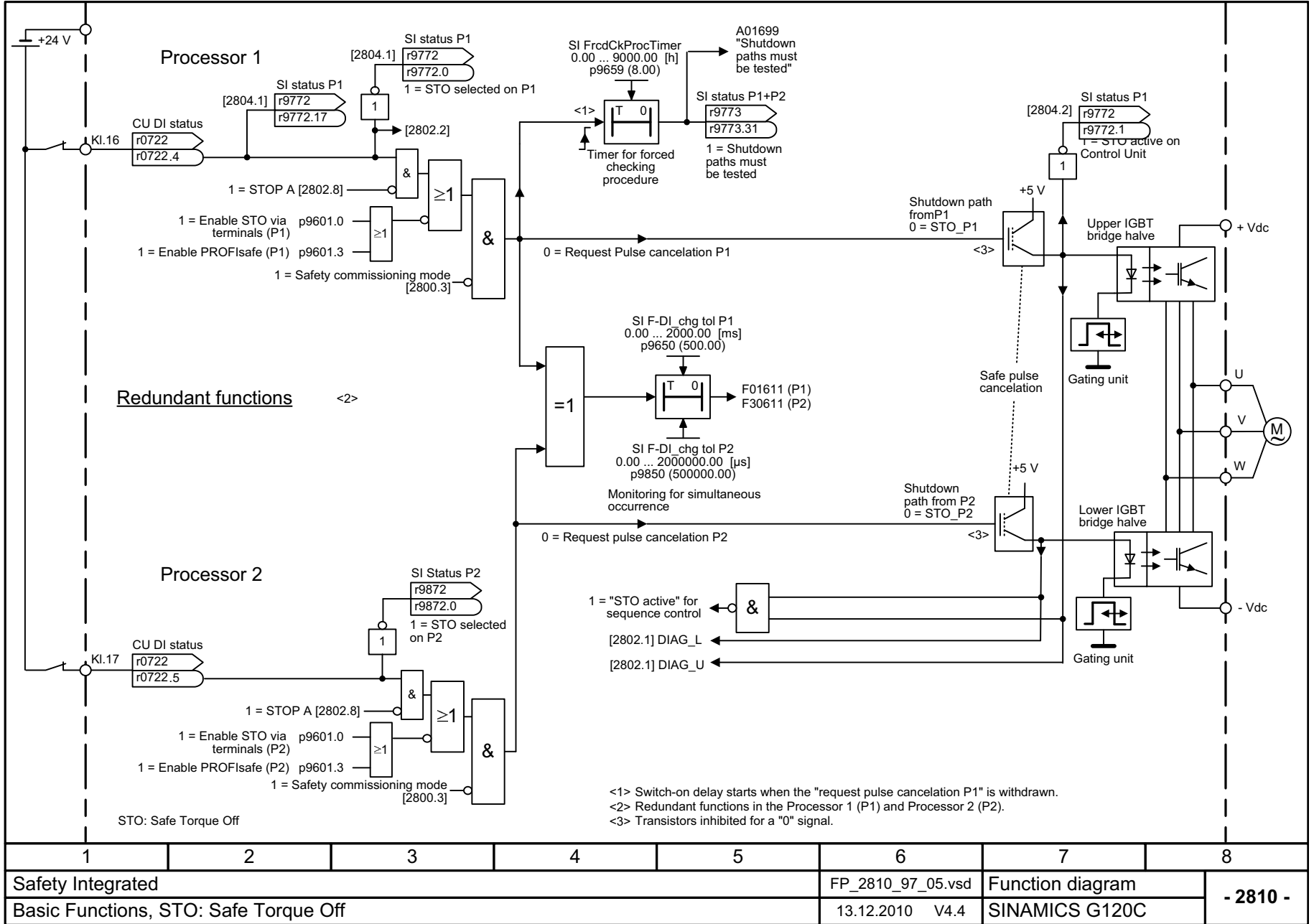


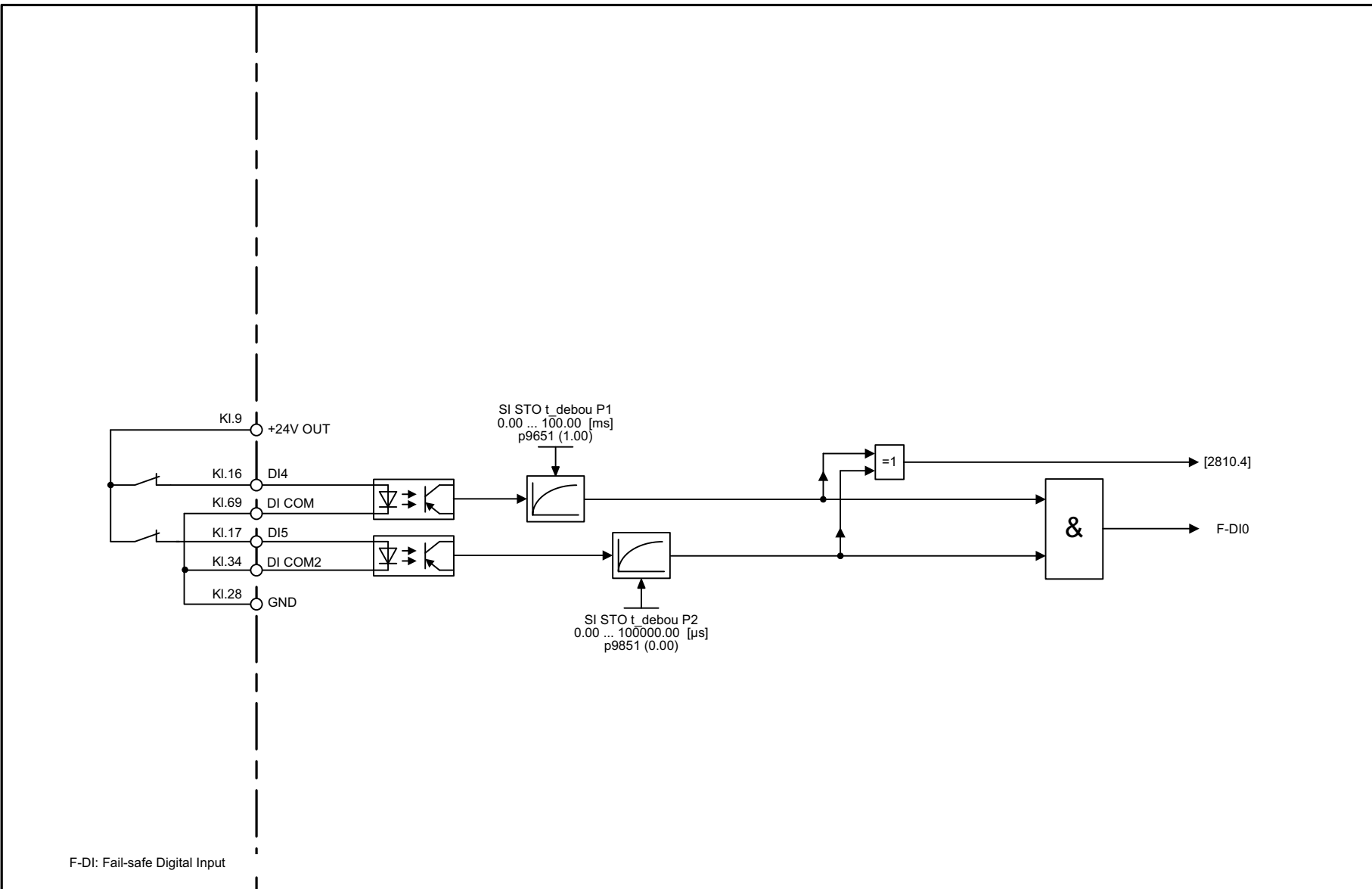
Fig. 2-59 2804 – Basic Functions, Status words

1	2	3	4	5	6	7	8
Safety Integrated					FP_2804_97_63.vsd	Function diagram	
Basic Functions, Status words					13.12.2010 V4.4	SINAMICS G120C	
							- 2804 -

Fig. 2-60 2810 – Basic Functions, STO: Safe Torque Off



1	2	3	4	5	6	7	8
Safety Integrated					FP_2810_97_05.vsd	Function diagram	
Basic Functions, STO: Safe Torque Off					13.12.2010 V4.4	SINAMICS G120C	
							- 2810 -



F-DI: Fail-safe Digital Input

Fig. 2-61 2812 – Basic Functions, F-DI: Fail-safe Digital Input

2-354

1	2	3	4	5	6	7	8
Safety Integrated					FP_2812_97_63.vsd	Function diagram	
Basic Functions, F-DI: Fail-safe Digital Input					13.12.2010 V4.4	SINAMICS G120C	
							- 2812 -

2.9 Setpoint channel

Function diagrams

3010 – Fixed speed setpoints, binary selection (p1016 = 2)	2-356
3011 – Fixed speed setpoints, direct selection (p1016 = 1)	2-357
3020 – Motorized potentiometer	2-358
3030 – Main/supplementary setpoint, setpoint scaling, jogging	2-359
3040 – Direction limitation and direction reversal	2-360
3050 – Skip frequency bands and frequency limitations	2-361
3070 – Extended ramp-function generator	2-362

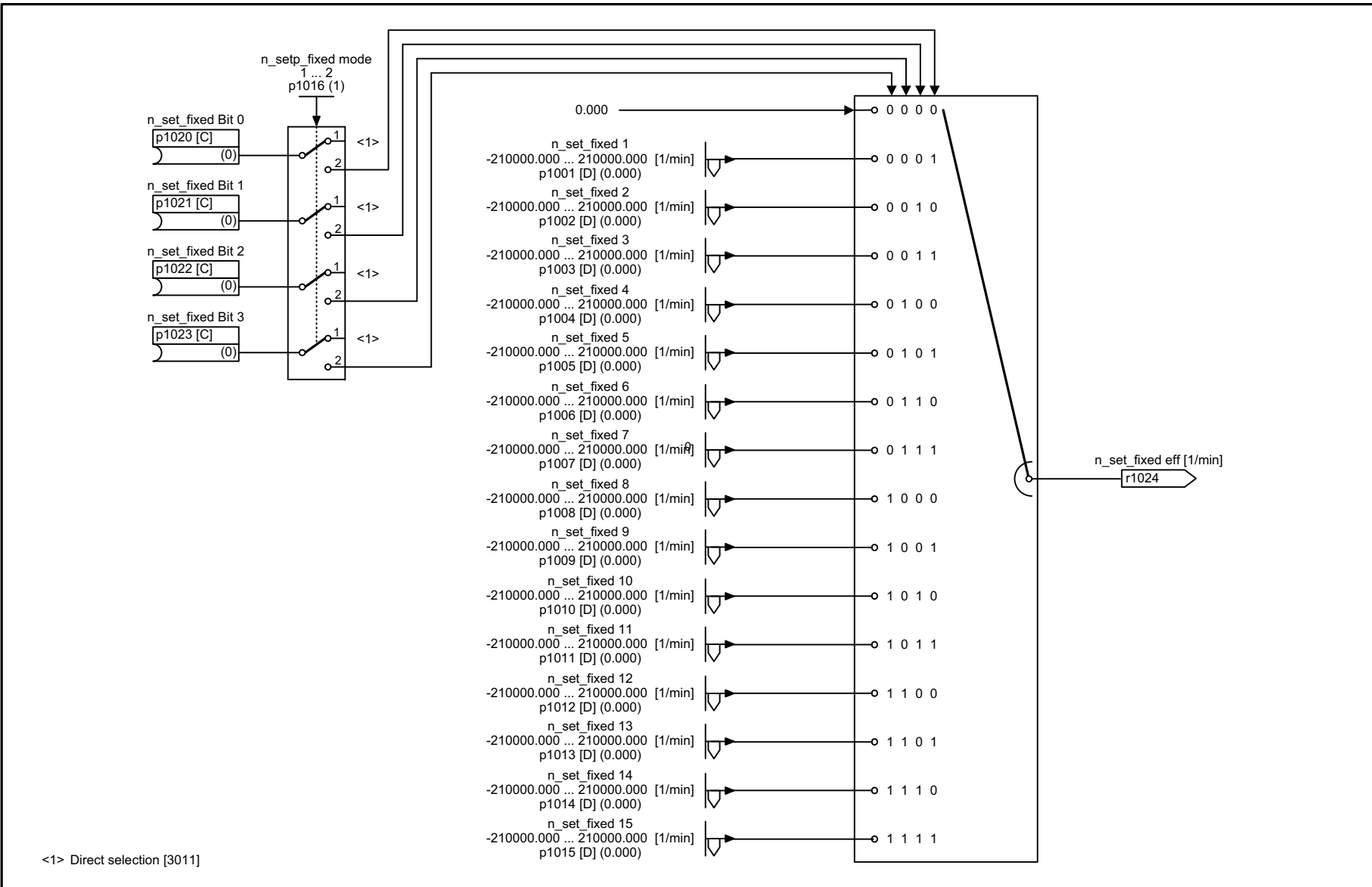


Fig. 2-62 3010 – Fixed speed setpoints, binary selection (p1016 = 2)

1	2	3	4	5	6	7	8
Setpoint channel					FP_3010_97_05.vsd	Function diagram	
Fixed speed setpoints, binary selection (p1016 = 2)					13.12.2010 V4.4	SINAMICS G120C	
							- 3010 -

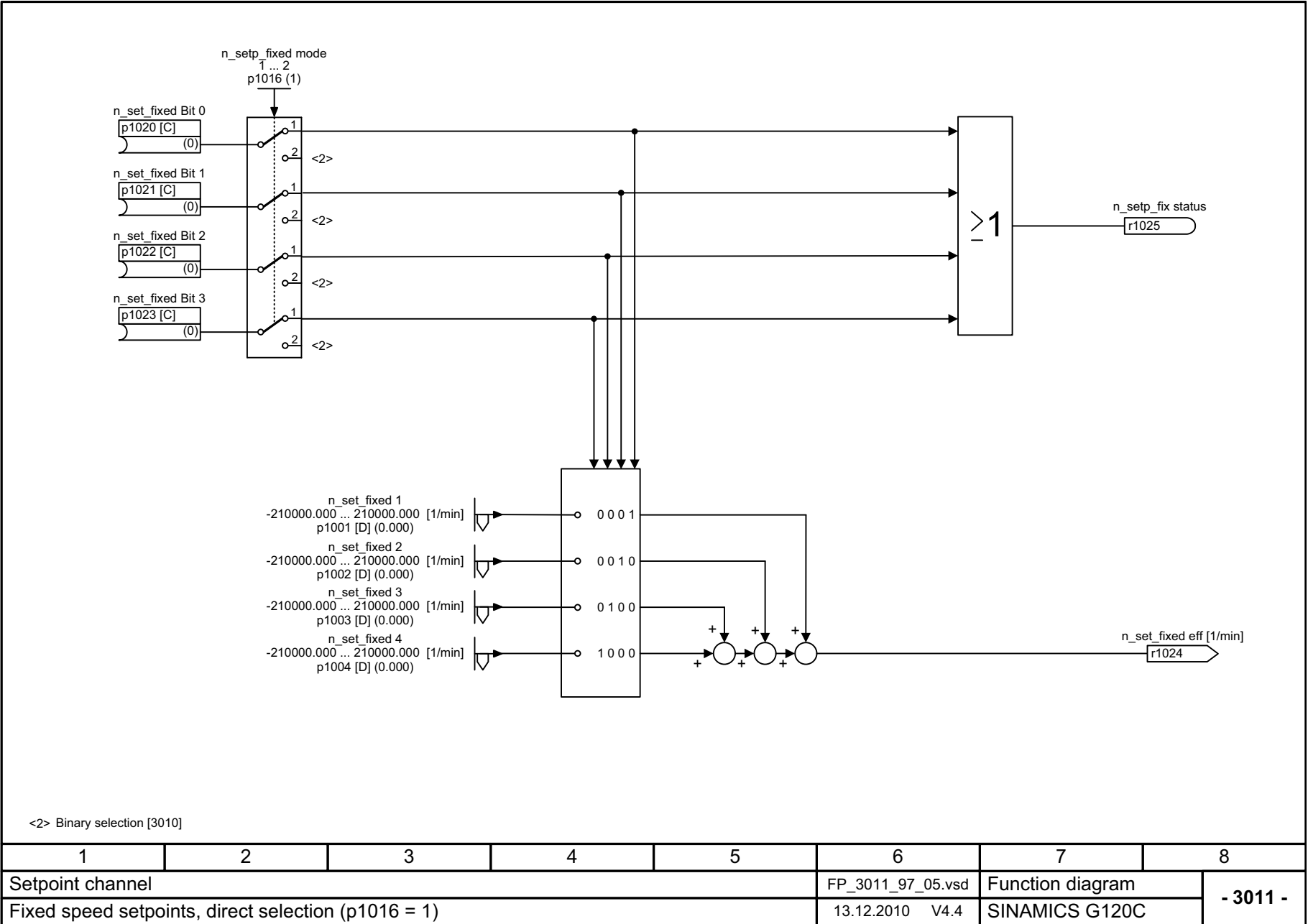
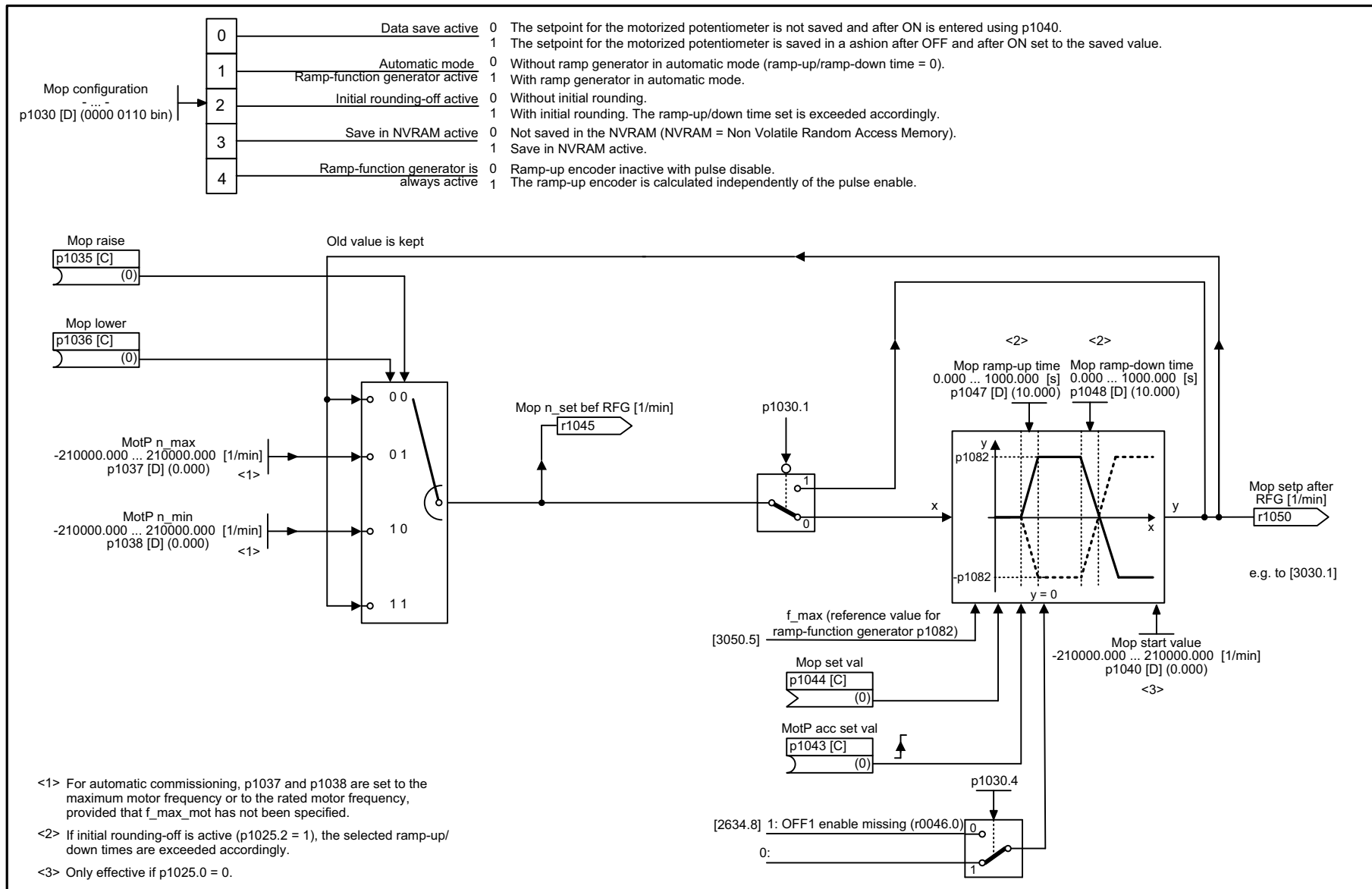


Fig. 2-63 3011 – Fixed speed setpoints, direct selection (p1016 = 1)

1	2	3	4	5	6	7	8
Setpoint channel					FP_3011_97_05.vsd	Function diagram	
Fixed speed setpoints, direct selection (p1016 = 1)					13.12.2010 V4.4	SINAMICS G120C	
							- 3011 -



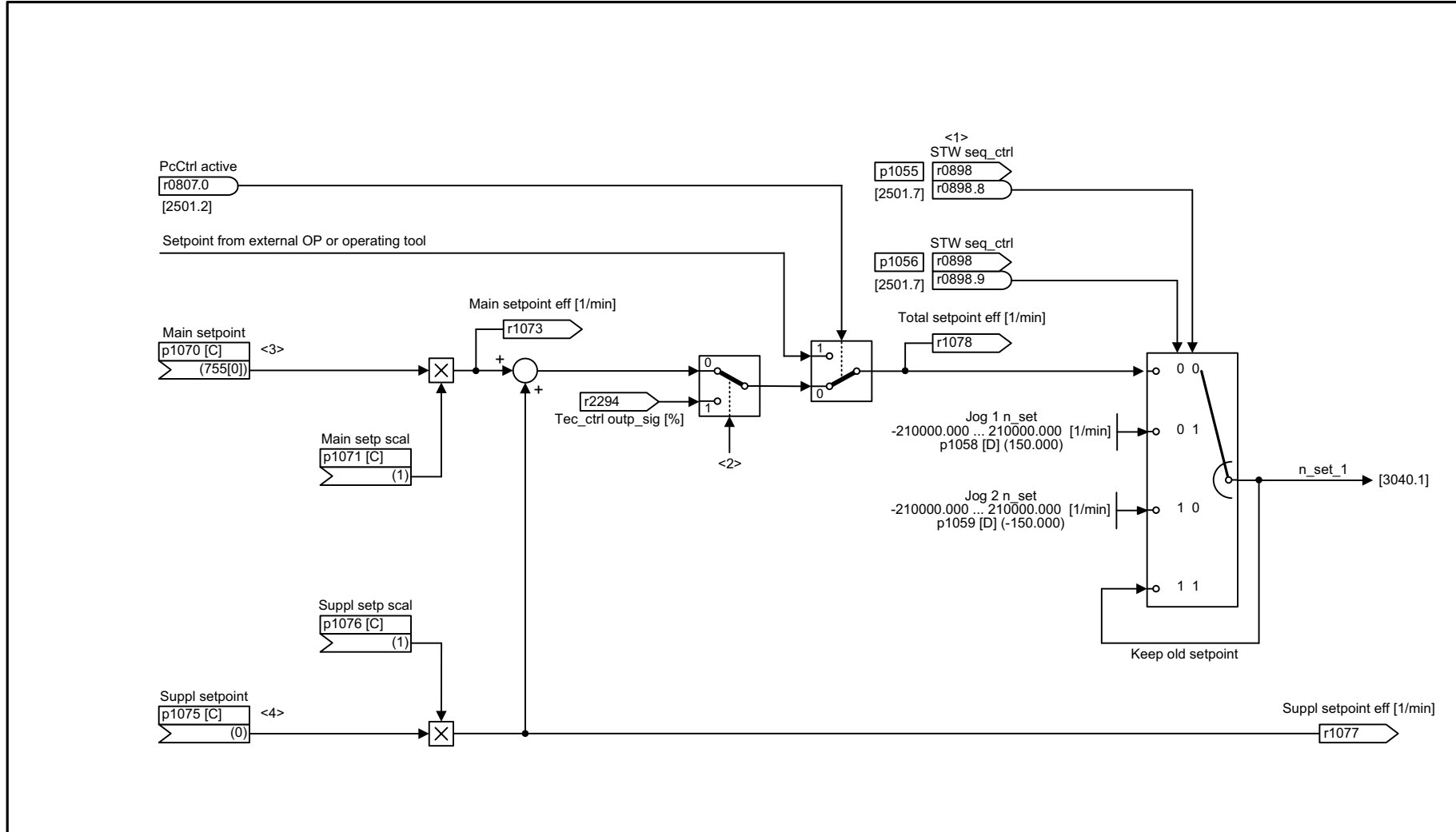
<1> For automatic commissioning, p1037 and p1038 are set to the maximum motor frequency or to the rated motor frequency, provided that f_max_mot has not been specified.

<2> If initial rounding-off is active (p1025.2 = 1), the selected ramp-up/down times are exceeded accordingly.

<3> Only effective if p1025.0 = 0.

1	2	3	4	5	6	7	8
Setpoint channel					FP_3020_97_05.vsd	Function diagram	
Motorized potentiometer					13.12.2010 V4.4	SINAMICS G120C	
							- 3020 -

Fig. 2-64 3020 – Motorized potentiometer



<1> Jogging can only be activated in the operating state "Ready for switching on".
 <2> =1 if technology controller is activated (p2200 > 0, p2251 = 0).
 <3> The connection to the source for the main and additional setpoint is established automatically via the setting in p1000.

1	2	3	4	5	6	7	8
Setpoint channel					FP_3030_97_05.vsd	Function diagram	
Main/supplementary setpoint, setpoint scaling, jogging					13.12.2010 V4.4	SINAMICS G120C	
							- 3030 -

Fig. 2-65 3030 – Main/supplementary setpoint, setpoint scaling, jogging

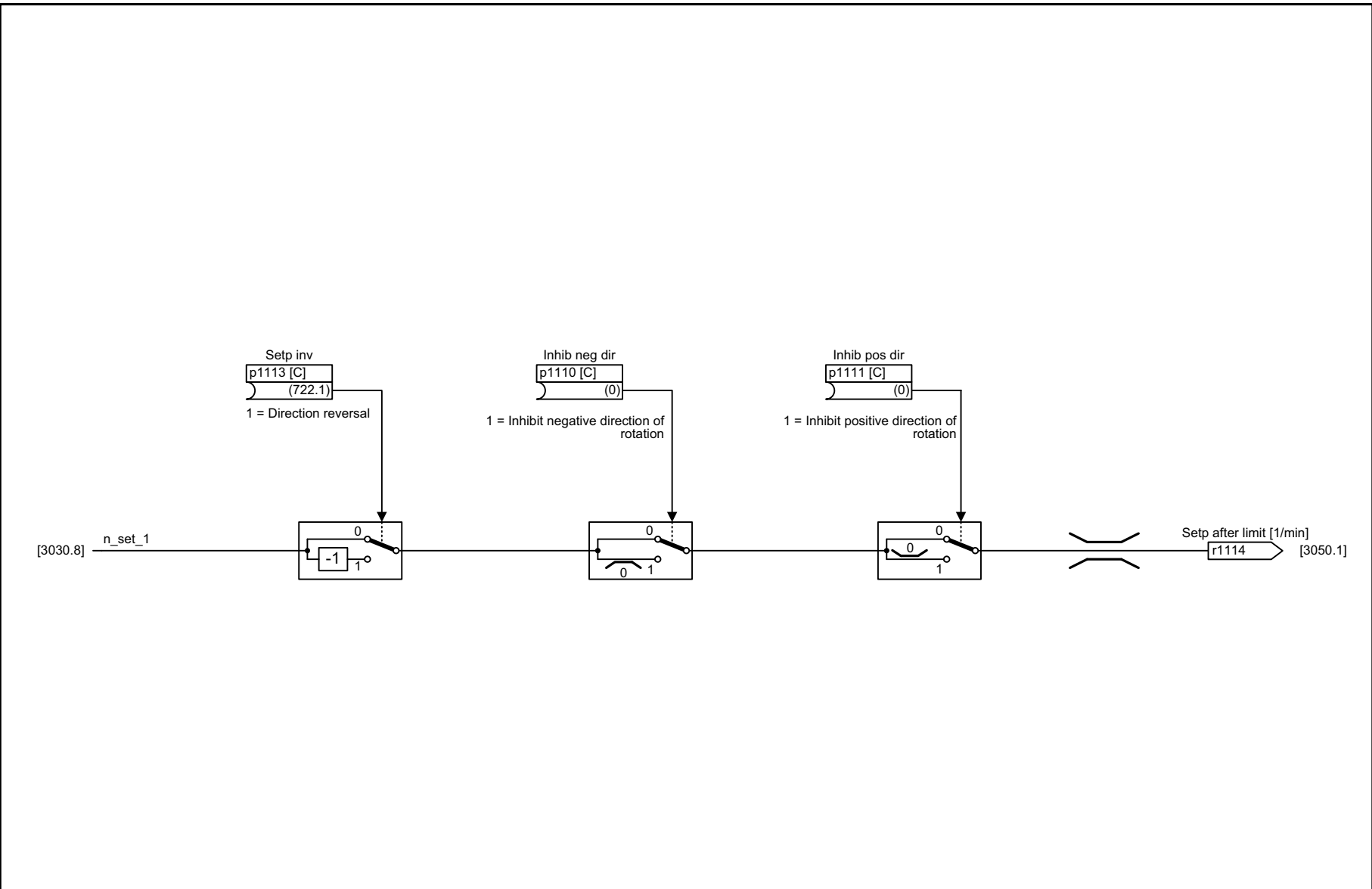
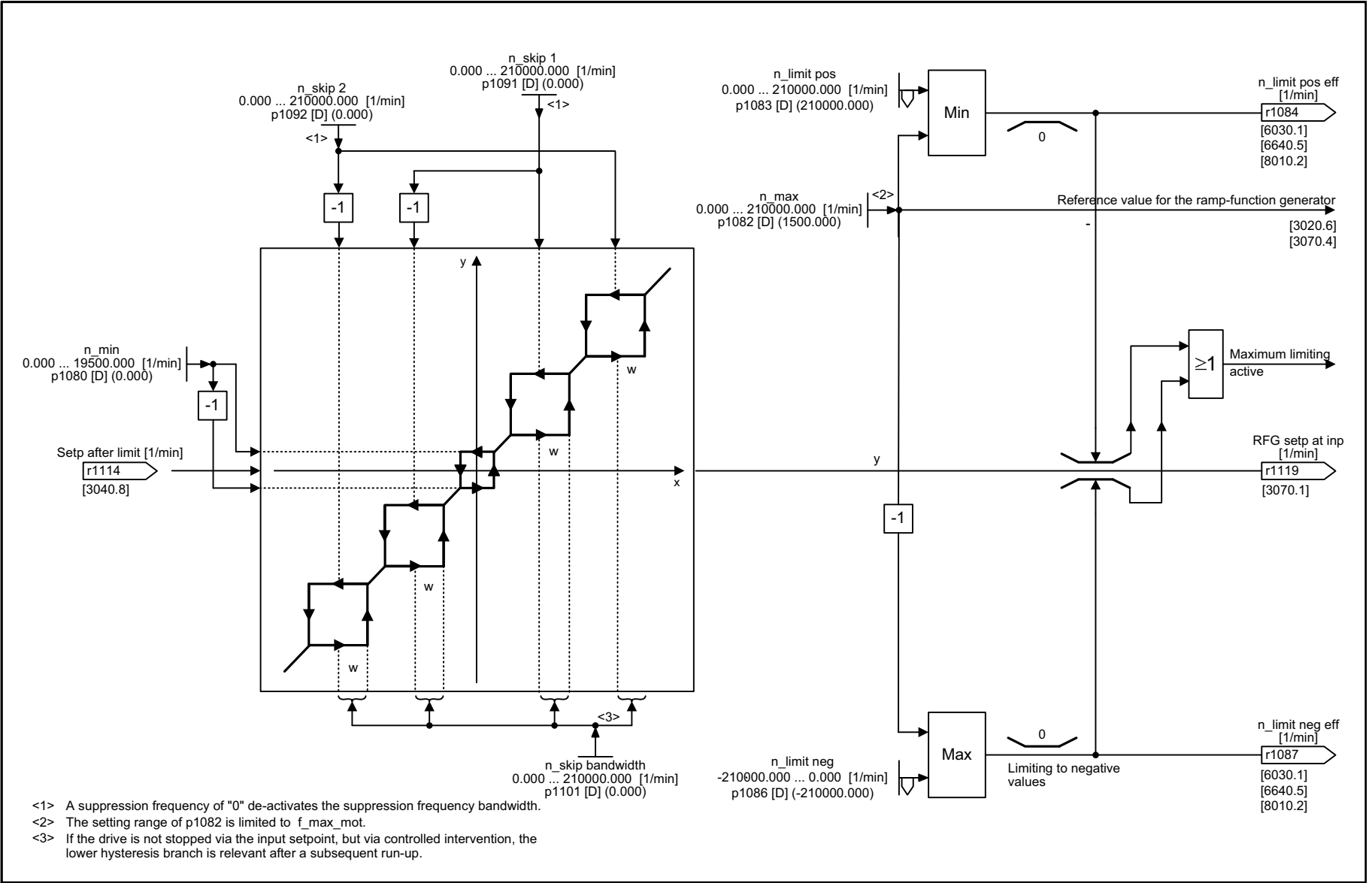


Fig. 2-66 3040 – Direction limitation and direction reversal

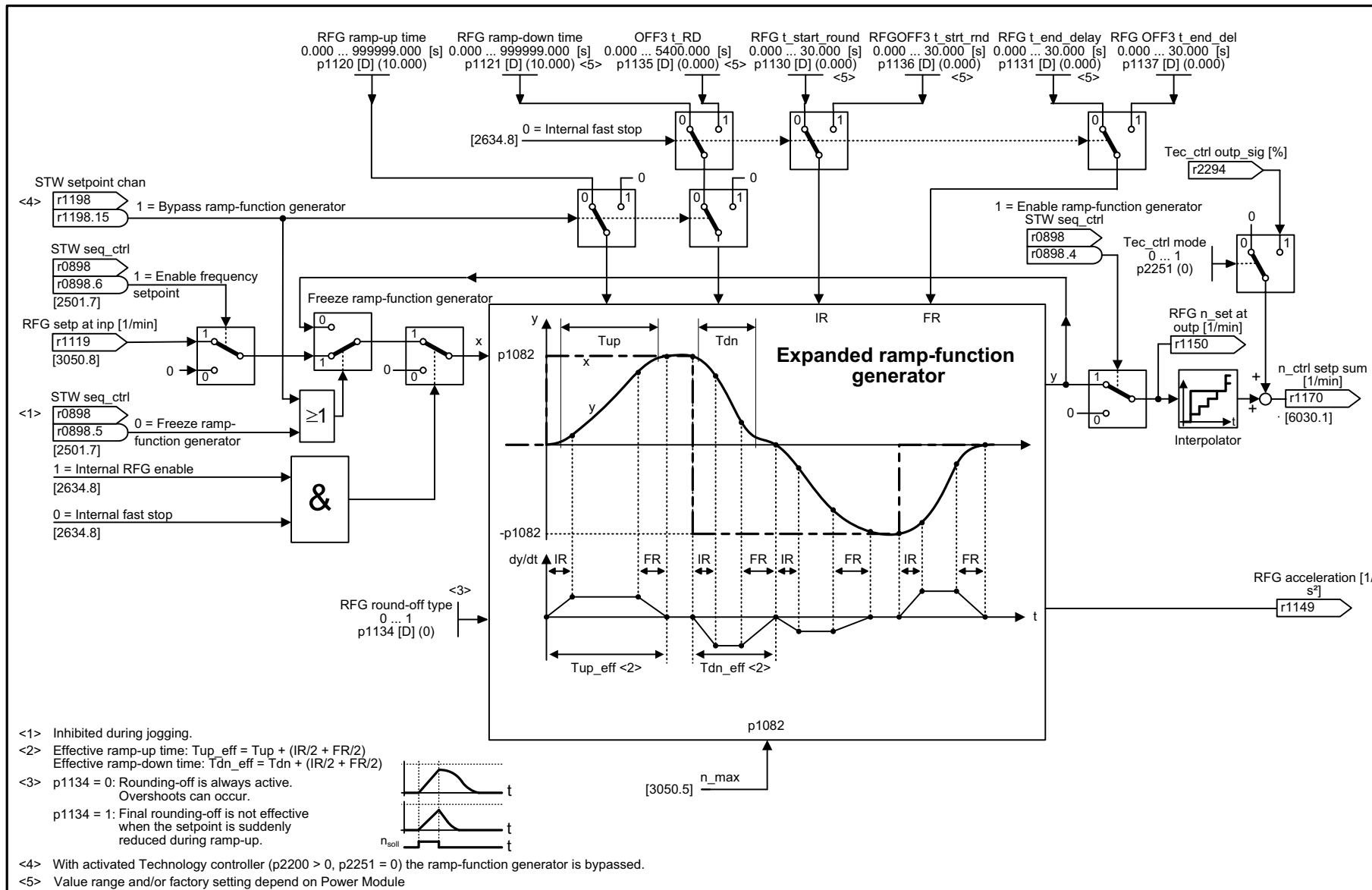
1	2	3	4	5	6	7	8
Setpoint channel					FP_3040_97_05.vsd	Function diagram	
Direction limitation and direction reversal					13.12.2010 V4.4	SINAMICS G120C	
							- 3040 -



- <1> A suppression frequency of "0" de-activates the suppression frequency bandwidth.
- <2> The setting range of p1082 is limited to f_max_mot.
- <3> If the drive is not stopped by the input setpoint, but via controlled intervention, the lower hysteresis branch is relevant after a subsequent run-up.

1	2	3	4	5	6	7	8
Setpoint channel					FP_3050_97_05.vsd	Function diagram	
Skip speed bands and speed limitations					13.12.2010 V4.4	SINAMICS G120C	
							- 3050 -

Fig. 2-67 3050 – Skip frequency bands and frequency limitations



- <1> Inhibited during jogging.
- <2> Effective ramp-up time: $T_{up_eff} = T_{up} + (IR/2 + FR/2)$
Effective ramp-down time: $T_{dn_eff} = T_{dn} + (IR/2 + FR/2)$
- <3> p1134 = 0: Rounding-off is always active. Overshoots can occur.
p1134 = 1: Final rounding-off is not effective when the setpoint is suddenly reduced during ramp-up.
- <4> With activated Technology controller (p2200 > 0, p2251 = 0) the ramp-function generator is bypassed.
- <5> Value range and/or factory setting depend on Power Module

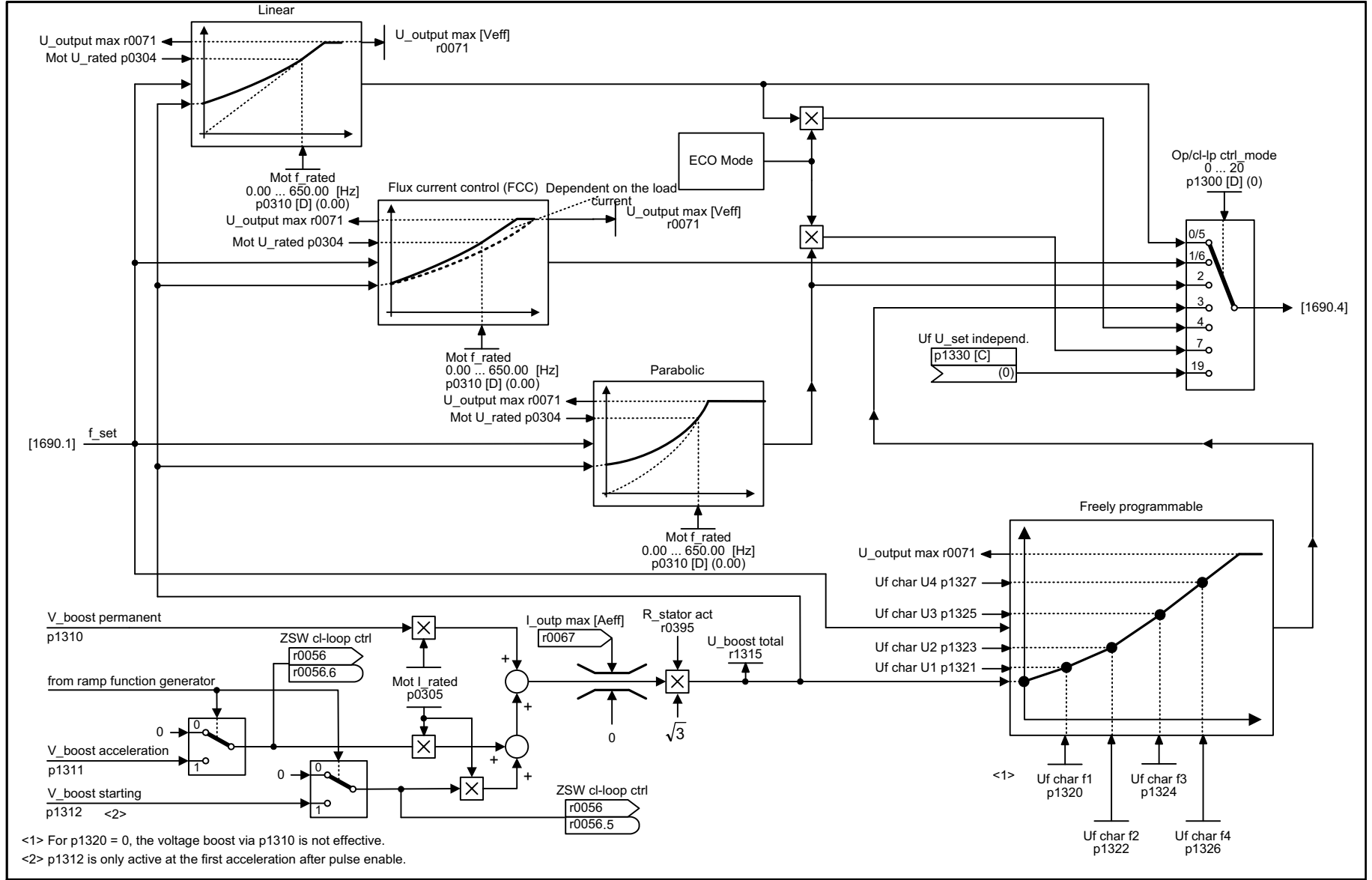
1	2	3	4	5	6	7	8
Setpoint channel					FP_3070_97_05.vsd	Function diagram	
Extended ramp-function generator					13.12.2010 V4.4	SINAMICS G120C	
							- 3070 -

Fig. 2-68 3070 – Extended ramp-function generator

2.10 V/f control

Function diagrams

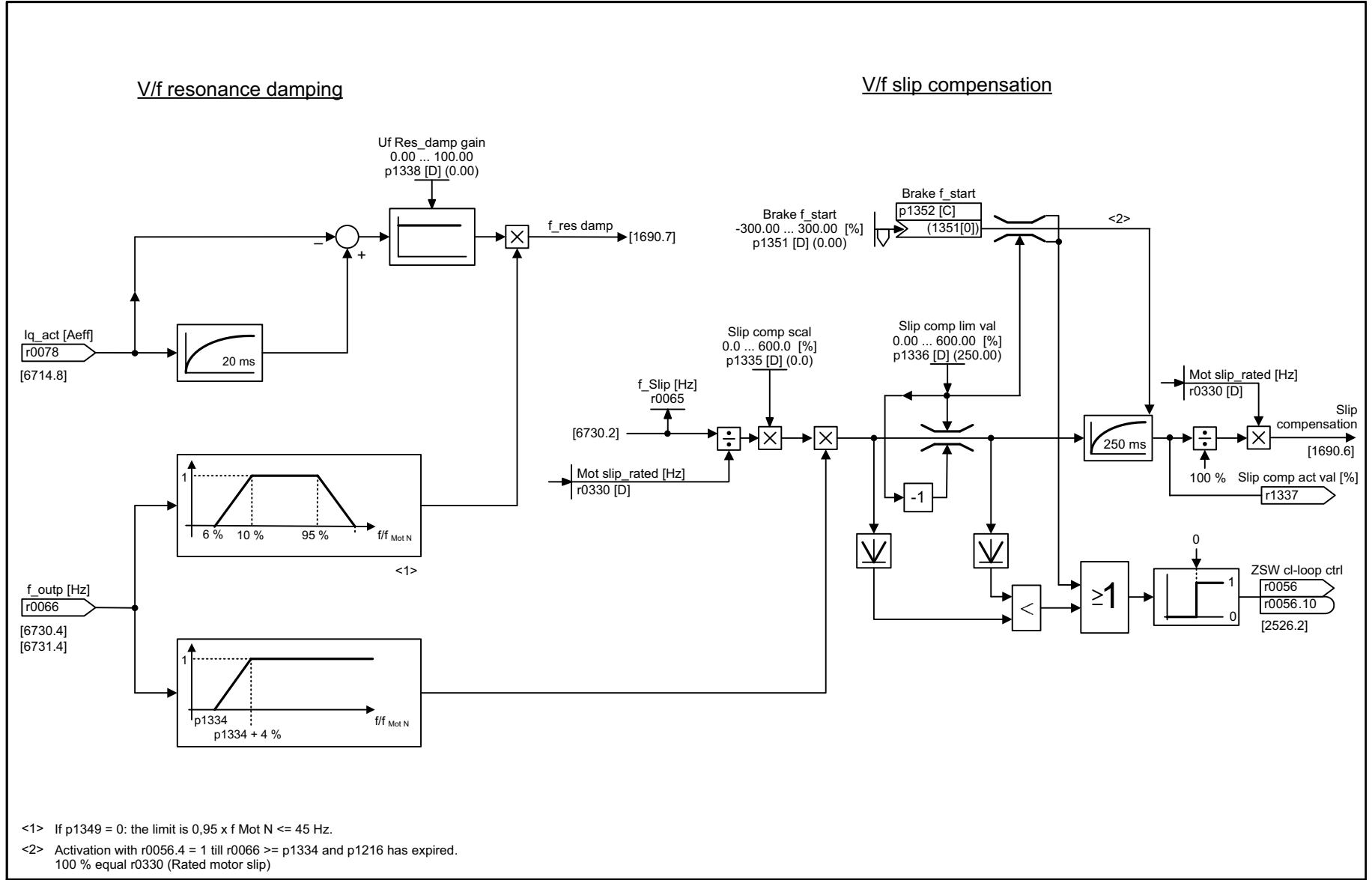
6300 – V/f characteristic and voltage boost	2-364
6310 – Resonance damping and slip compensation	2-365
6320 – Vdc_max controller and Vdc_min controller (V7f control)	2-366



<1> For p1320 = 0, the voltage boost via p1310 is not effective.
<2> p1312 is only active at the first acceleration after pulse enable.

1	2	3	4	5	6	7	8
V/f control					FP_6300_97_05.vsd	Function diagram	
V/f characteristic and voltage boost					13.12.2010 V4.4	SINAMICS G120C	

Fig. 2-69 6300 – V/f characteristic and voltage boost



1	2	3	4	5	6	7	8
V/f control					FP_6310_97_05.vsd	Function diagram	
Resonance damping and slip compensation					13.12.2010 V4.4	SINAMICS G120C	
							- 6310 -

Fig. 2-70 6310 – Resonance damping and slip compensation

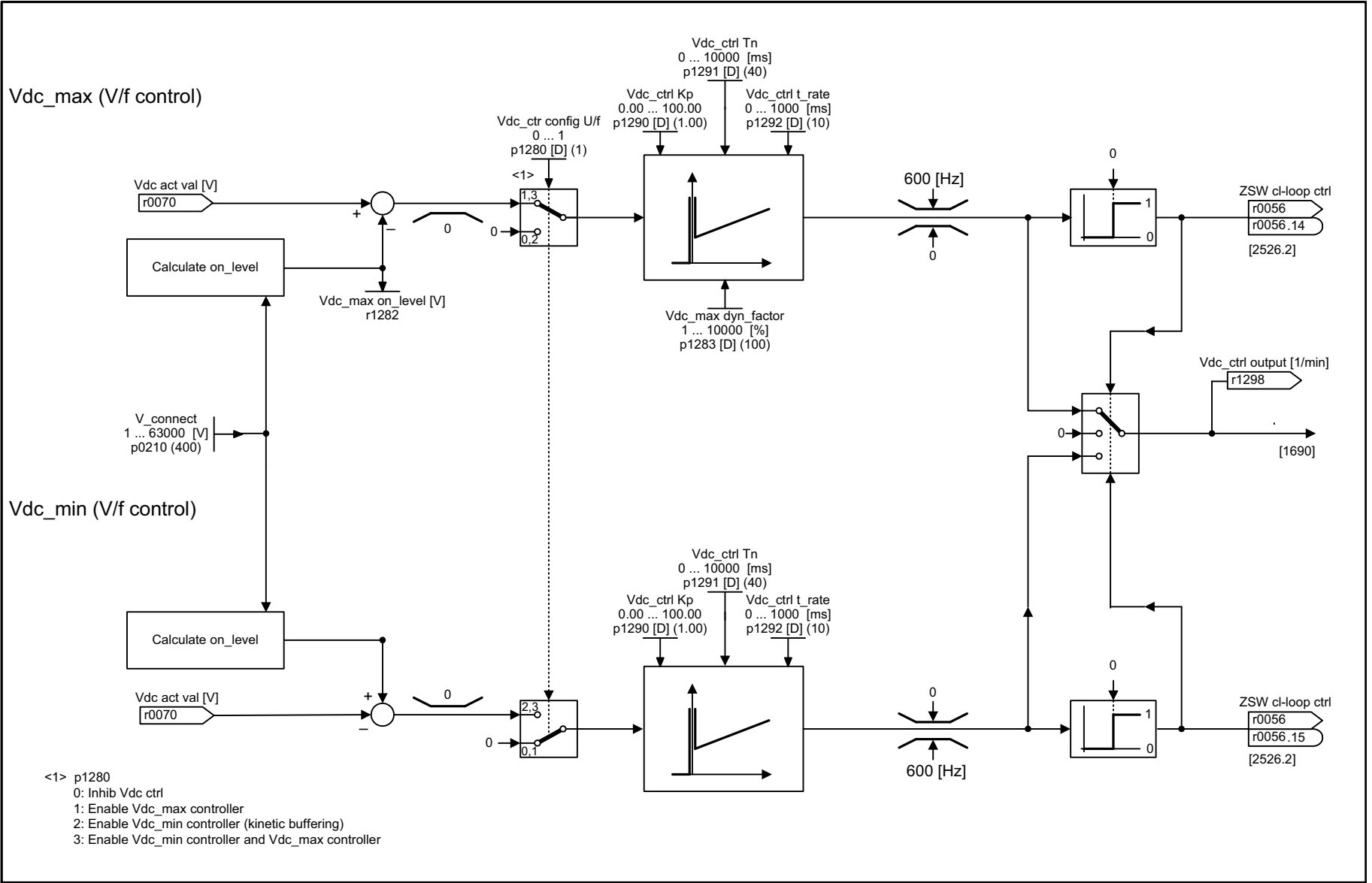


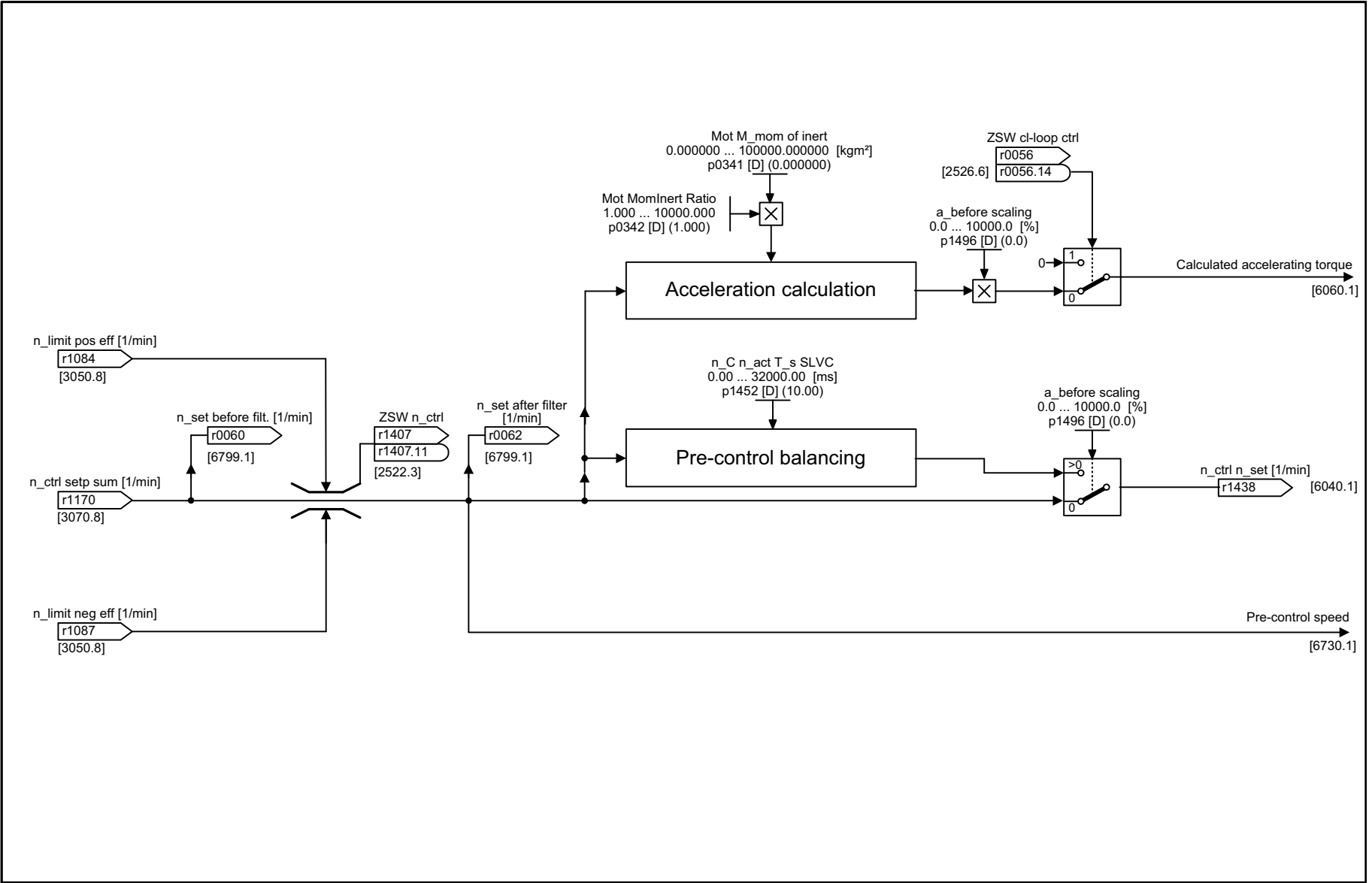
Fig. 2-71 6320 – Vdc_max controller and Vdc_min controller (V/f control)

1	2	3	4	5	6	7	8
V/f control					FP_6320_97_05.vsd	Function diagram	
Vdc_max controller and Vdc_min controller					13.12.2010 V4.4	SINAMICS G120C	

2.11 Vector control

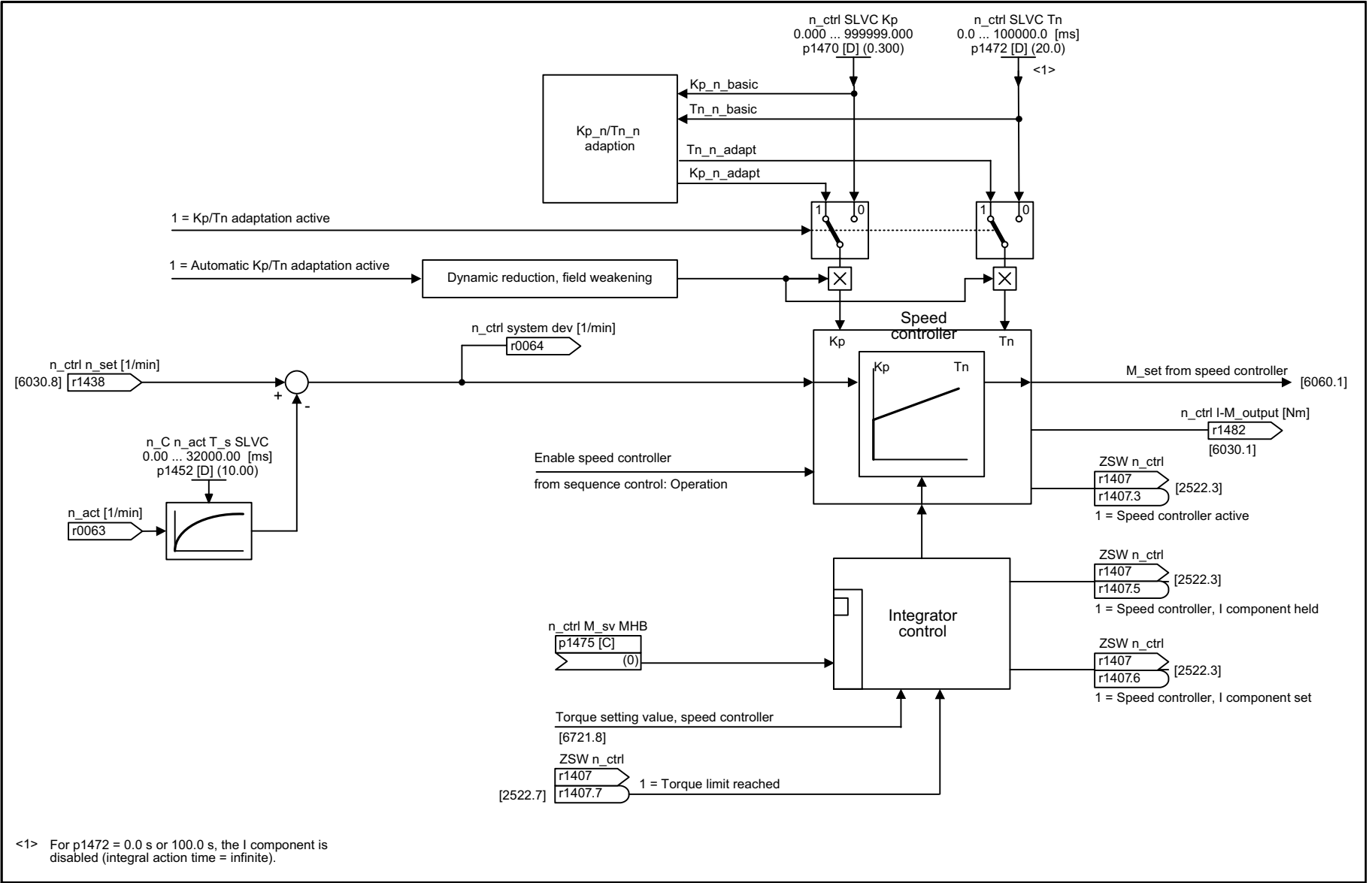
Function diagrams

6030 – Speed setpoint, droop	2-368
6040 – Speed controller	2-369
6060 – Torque setpoint	2-370
6220 – Vdc_max controller and Vdc_min controller (Vector control)	2-371
6630 – Upper/lower torque limit	2-372
6640 – Current/power/torque limits	2-373
6710 – Current setpoint filter	2-374
6714 – Iq and Id controllers	2-375
6721 – Id setpoint (PEM, p0300 = 2xx)	2-376
6722 – Field weakening characteristic, Id setpoint (ASM, p0300 = 1)	2-377
6723 – Field weakening controller, flux controller (ASM, p0300 = 1)	2-378
6724 – Field weakening controller (PEM, p0300 = 2)	2-379
6730 – Interface of the Power Module (ASM, p0300 = 1)	2-380
6731 – Interface of the Power Module (PEM, p0300 = 2)	2-381
6799 – Display signals	2-382



1	2	3	4	5	6	7	8
Vector control					FP_6030_97_05.vsd	Function diagram	
Speed setpoint, Acceleration model					13.12.2010 V4.4	SINAMICS G120C	
							- 6030 -

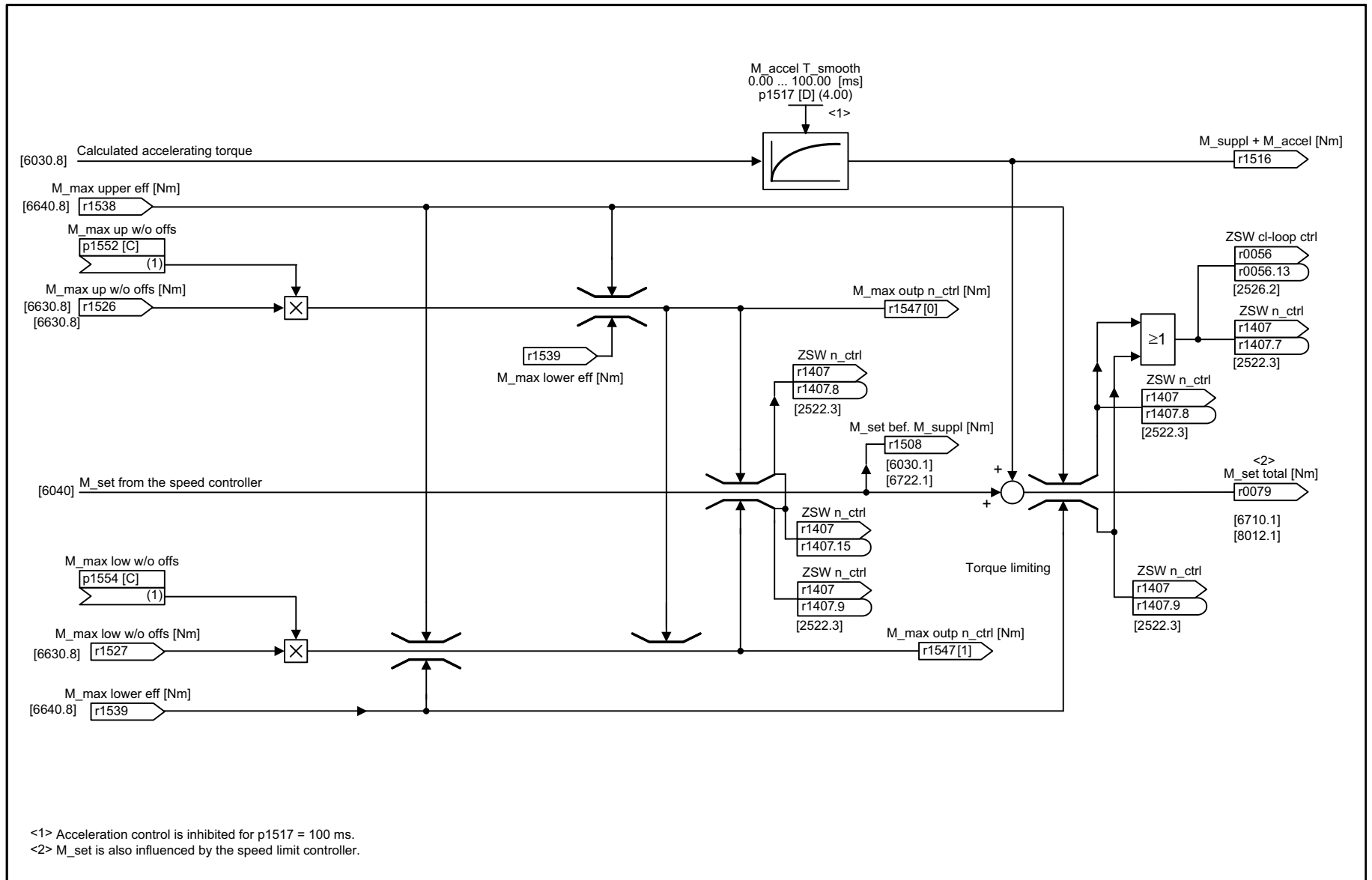
Fig. 2-72 6030 – Speed setpoint, droop



<1> For p1472 = 0.0 s or 100.0 s, the I component is disabled (integral action time = infinite).

1	2	3	4	5	6	7	8
Vector control					FP_6040_97_05.vsd	Function diagram	
Speed controller					13.12.2010 V4.4	SINAMICS G120C	
							- 6040 -

Fig. 2-73 6040 – Speed controller



<1> Acceleration control is inhibited for p1517 = 100 ms.
<2> M_set is also influenced by the speed limit controller.

1	2	3	4	5	6	7	8
Vector control					FP_6060_97_05.vsd	Function diagram	
Torque setpoint					13.12.2010 V4.4	SINAMICS G120C	
- 6060 -							

Fig. 2-74 6060 – Torque setpoint

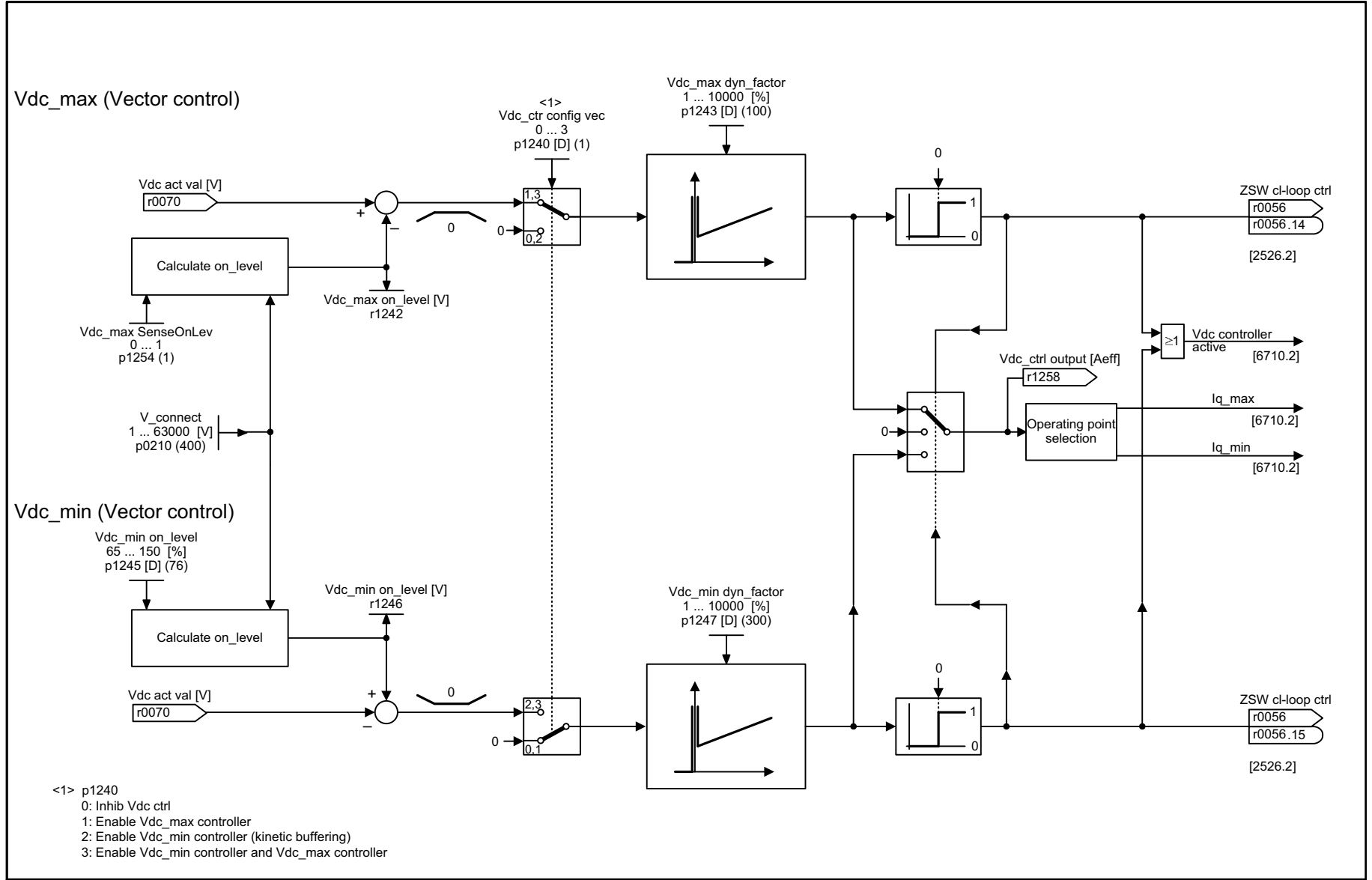


Fig. 2-75 6220 – Vdc_max controller and Vdc_min controller (Vector control)

1	2	3	4	5	6	7	8
Vector control					FP_6220_97_05.vsd	Function diagram	
Vdc_max controller and Vdc_min controller					13.12.2010 V4.4	SINAMICS G120C	
							- 6220 -

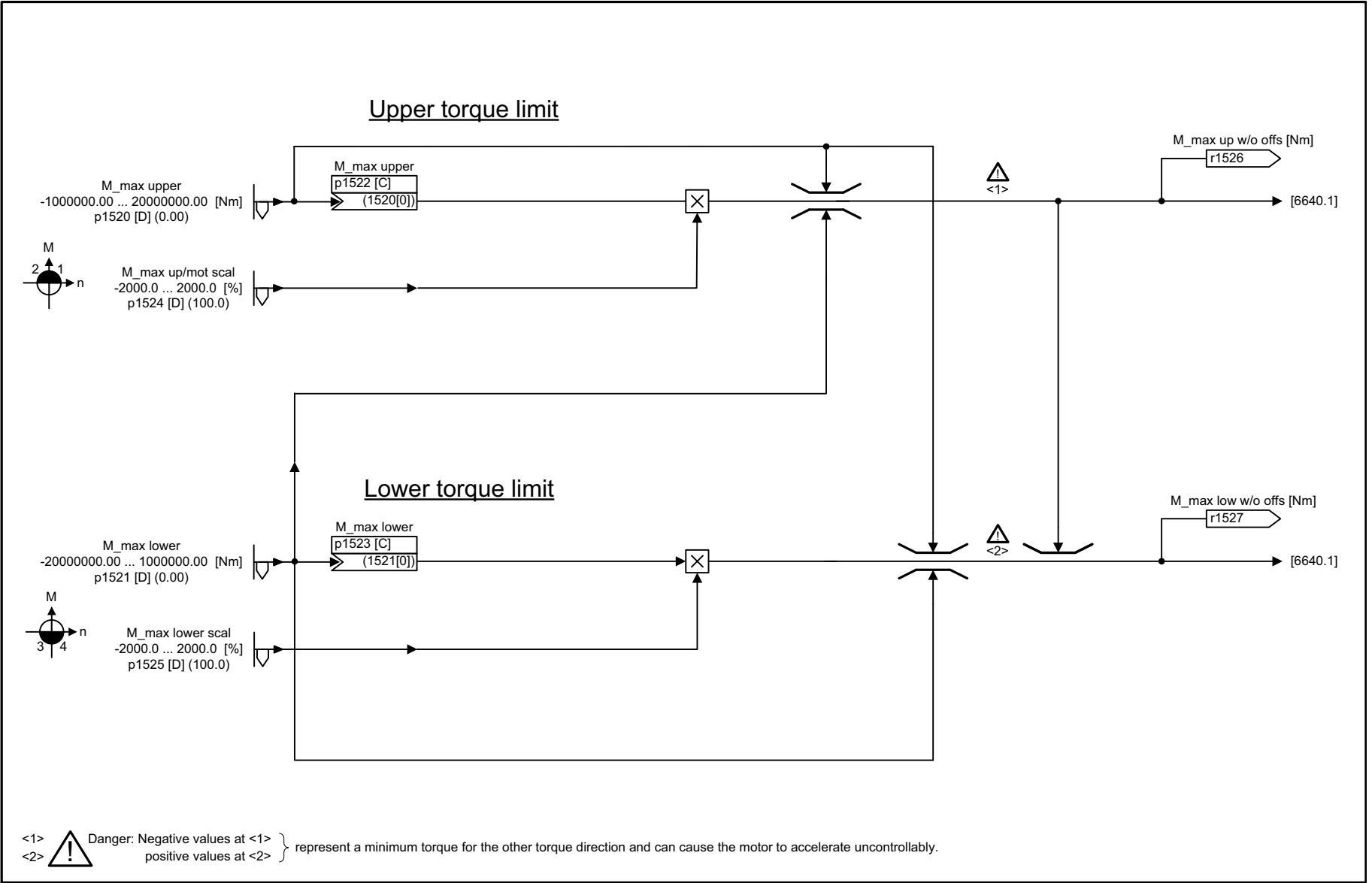


Fig. 2-76 6630 – Upper/lower torque limit

1	2	3	4	5	6	7	8
Vector control					FP_6630_97_05.vsd	Function diagram	
Upper/lower torque limit					13.12.2010 V4.4	SINAMICS G120C	

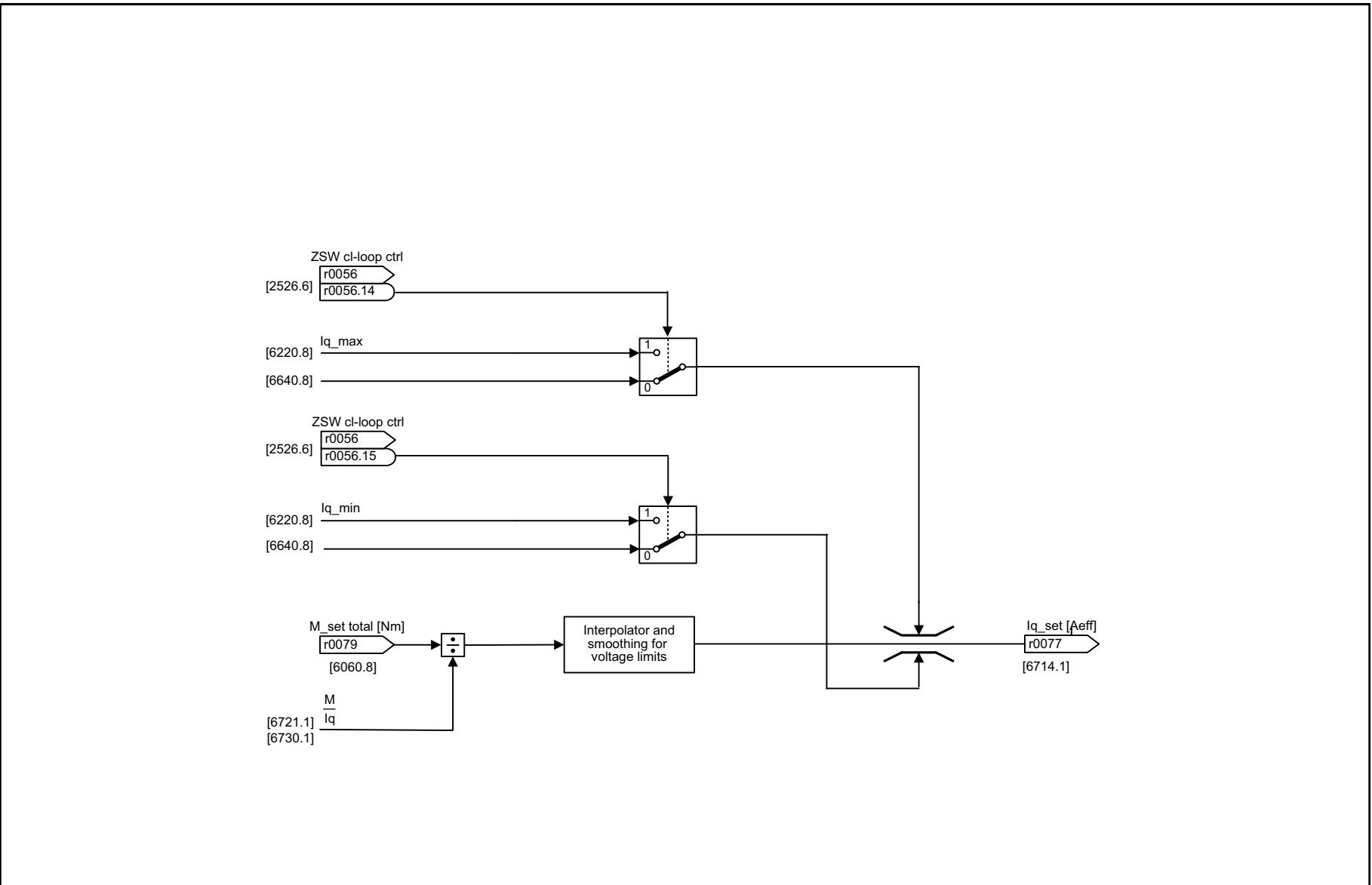
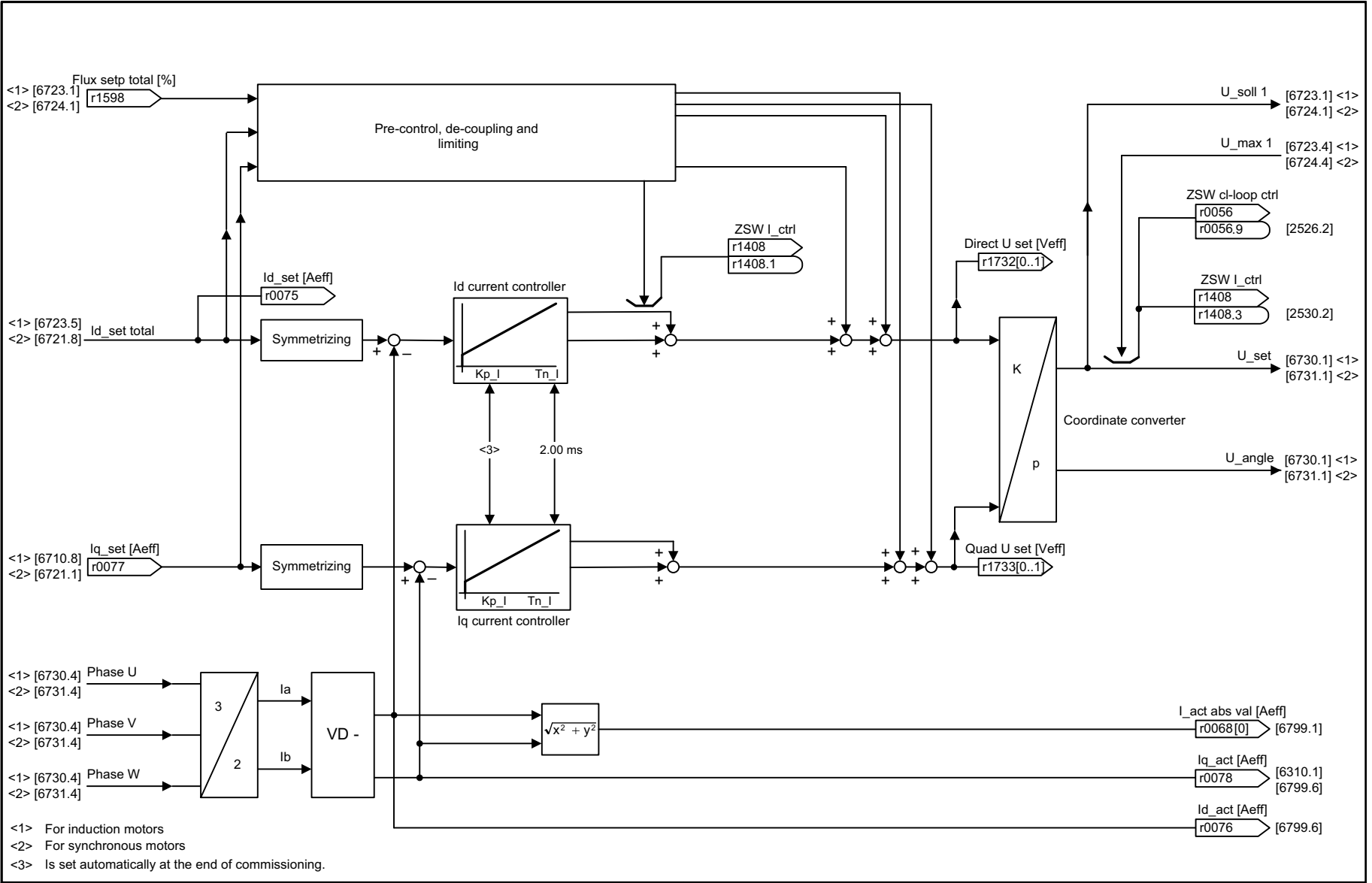


Fig. 2-78 6710 – Current setpoint filter

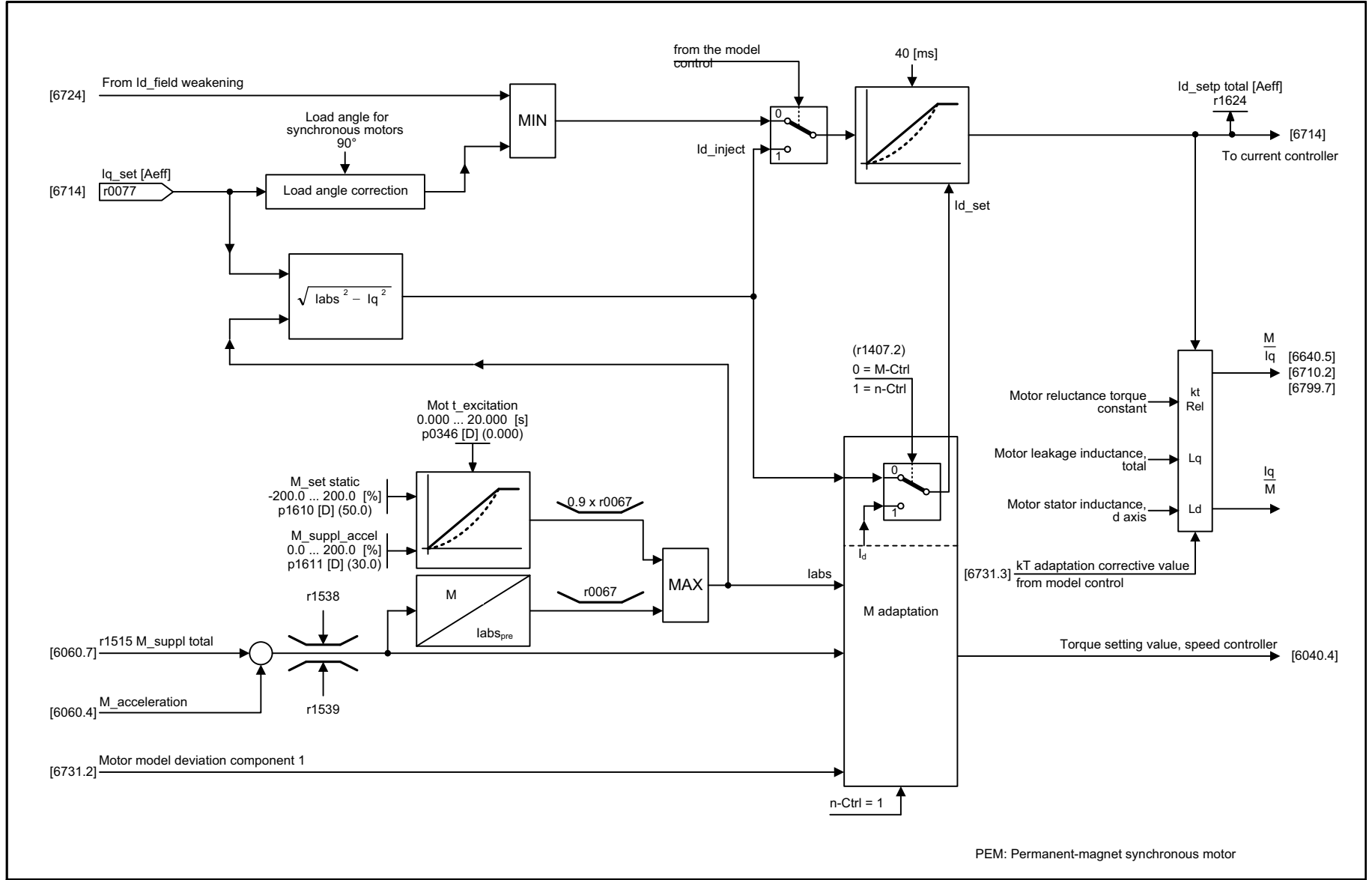
1	2	3	4	5	6	7	8
Vector control					FP_6710_97_05.vsd	Function diagram	
Current setpoint filter					13.12.2010 V4.4	SINAMICS G120C	
							- 6710 -



1	2	3	4	5	6	7	8
Vector control					FP_6714_97_05.vsd	Function diagram	
Iq and Id controllers					13.12.2010 V4.4	SINAMICS G120C	
							- 6714 -

Fig. 2-79 6714 – Iq and Id controllers

<1> For induction motors
 <2> For synchronous motors
 <3> Is set automatically at the end of commissioning.

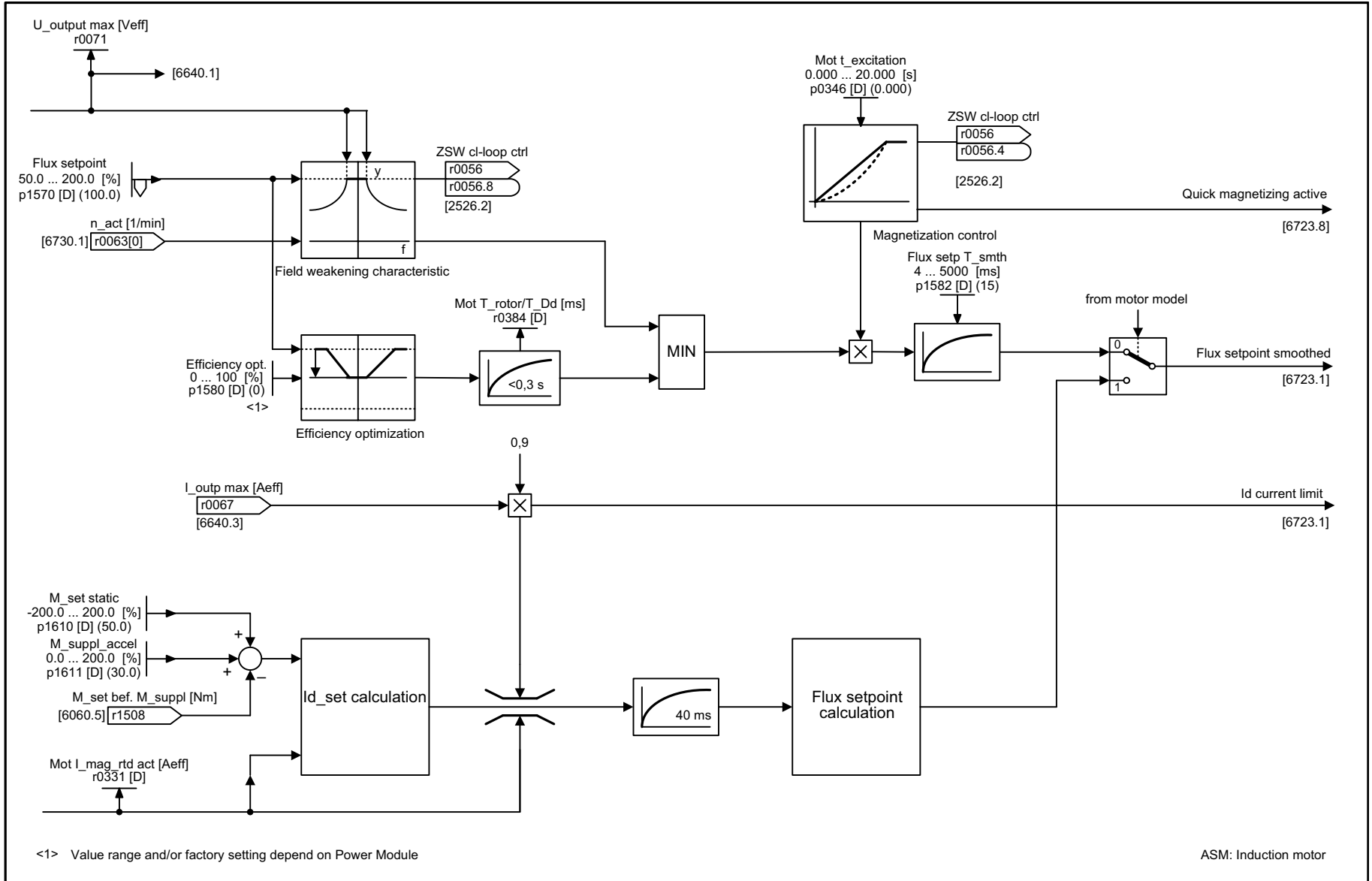


PEM: Permanent-magnet synchronous motor

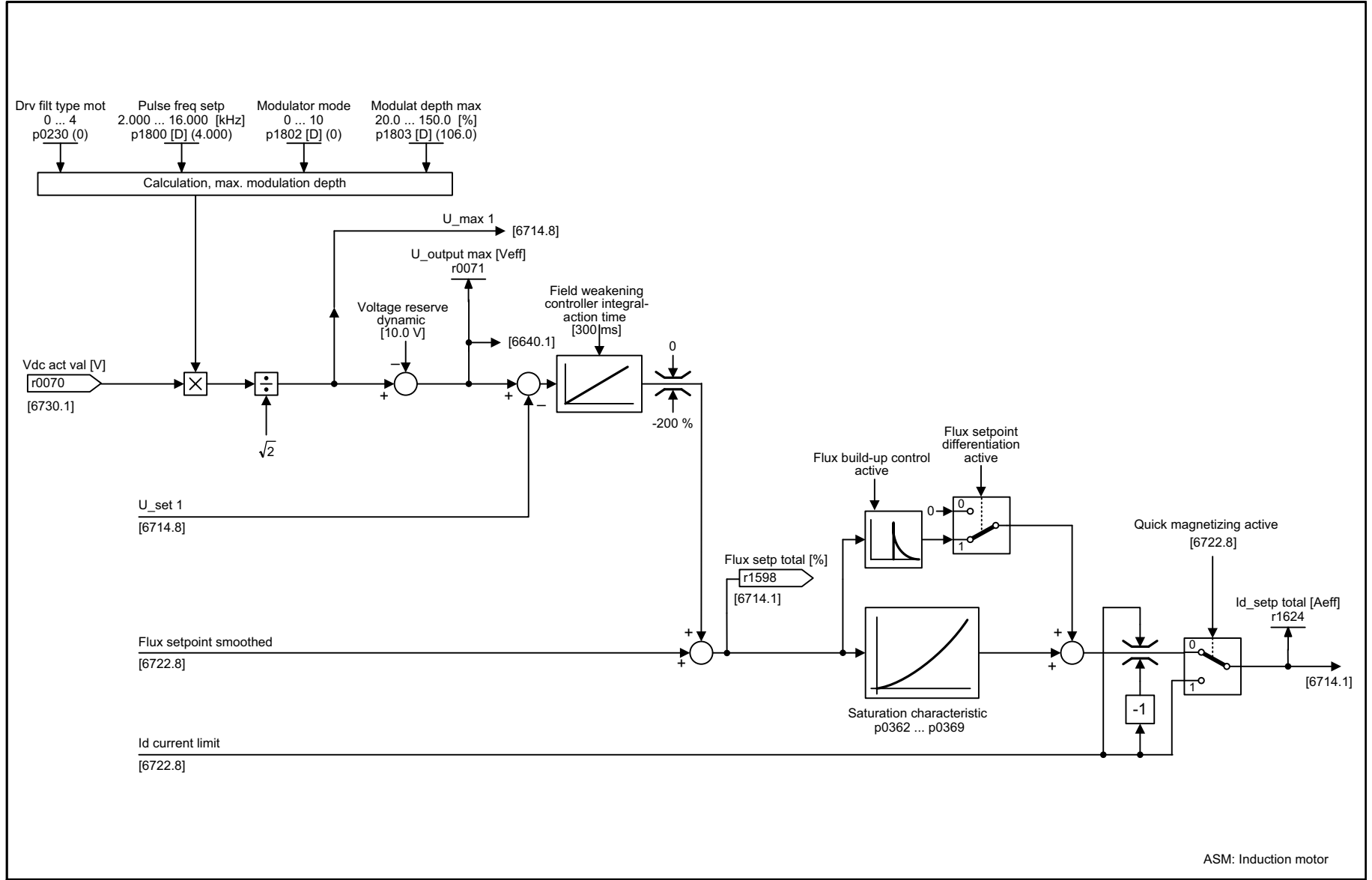
1	2	3	4	5	6	7	8
Vector control					FP_6721_97_05.vsd	Function diagram	
Id setpoint (PEM, p0300 = 2)					13.12.2010 V4.4	SINAMICS G120C	
							- 6721 -

Fig. 2-80 6721 – Id setpoint (PEM, p0300 = 2x)

Fig. 2-81 6722 – Field weakening characteristic, Id setpoint (ASM, p0300 = 1)



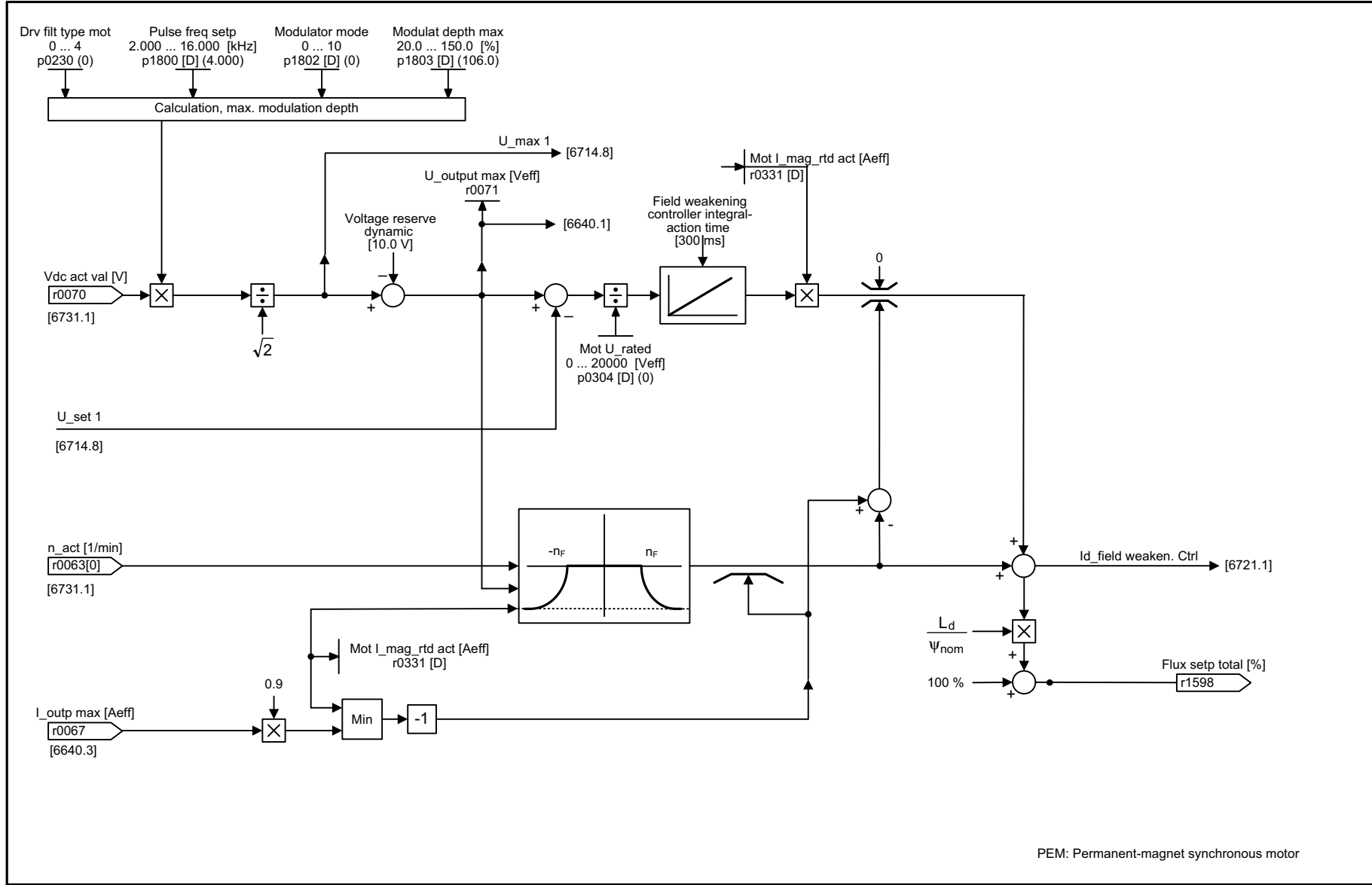
1	2	3	4	5	6	7	8
Vector control					FP_6722_97_05.vsd	Function diagram	
Field weakening characteristic, Id setpoint (ASM, p0300 = 1)					13.12.2010 V4.4	SINAMICS G120C	
							- 6722 -



ASM: Induction motor

1	2	3	4	5	6	7	8
Vector control					FP_6723_97_05.vsd	Function diagram	
Field weakening controller, flux controller (ASM, p0300 = 1)					13.12.2010 V4.4	SINAMICS G120C	
							- 6723 -

Fig. 2-82 6723 – Field weakening controller, flux controller (ASM, p0300 = 1)



1	2	3	4	5	6	7	8
Vector control					FP_6724_97_05.vsd	Function diagram	
Field weakening controller (PEM, p0300 = 2)					13.12.2010 V4.4	SINAMICS G120C	

- 6724 -

Fig. 2-83 6724 – Field weakening controller (PEM, p0300 = 2)

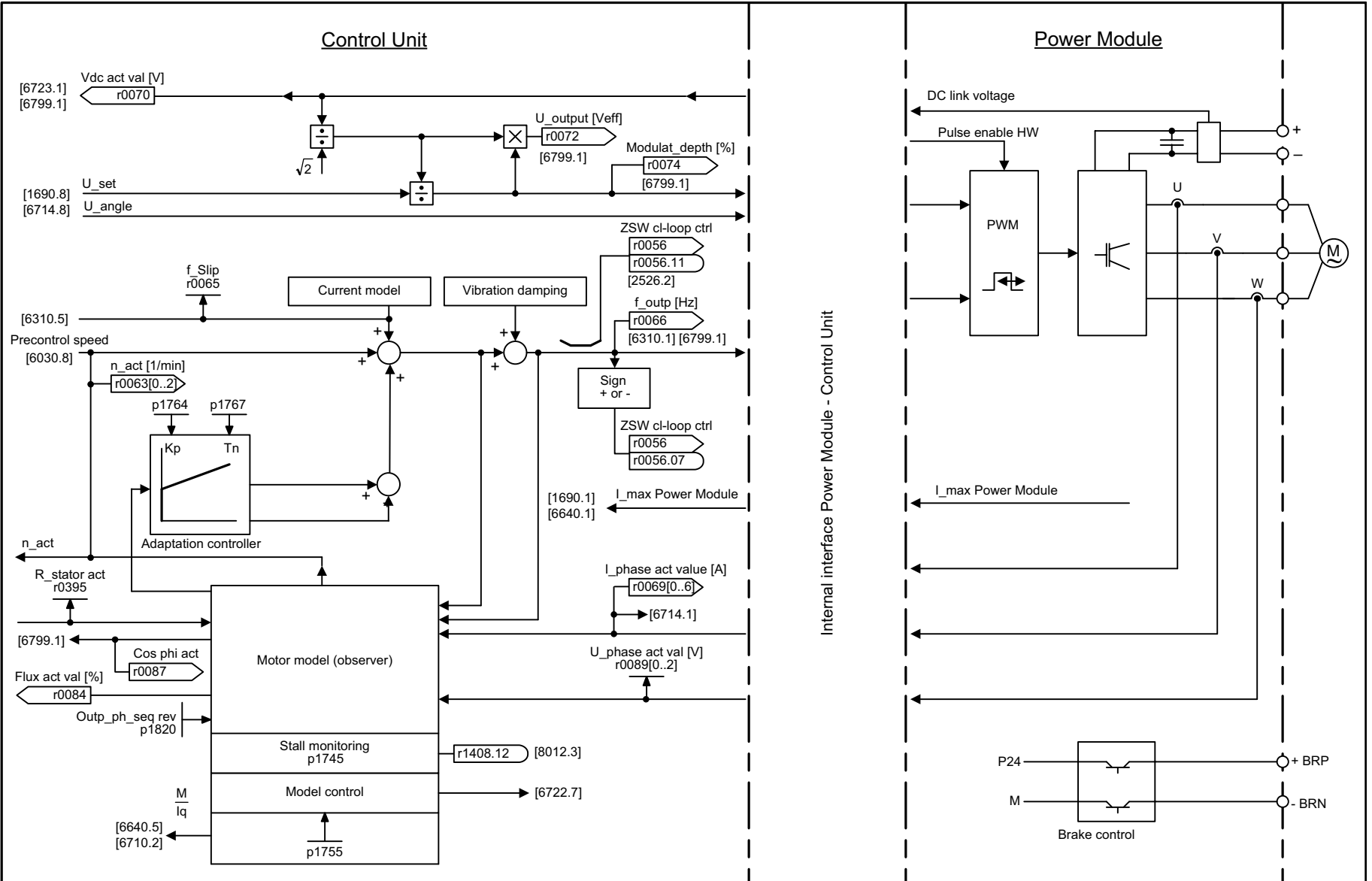
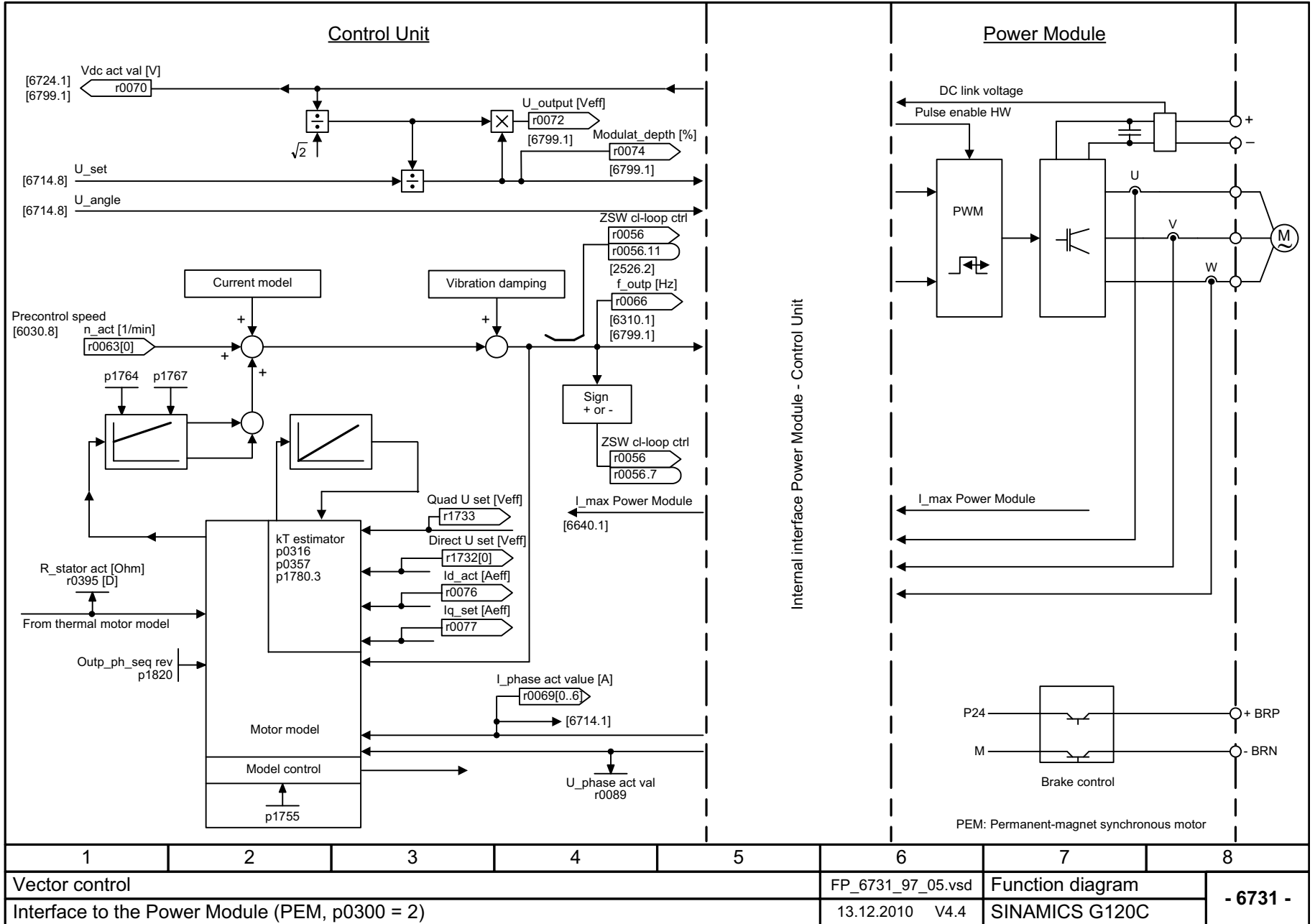
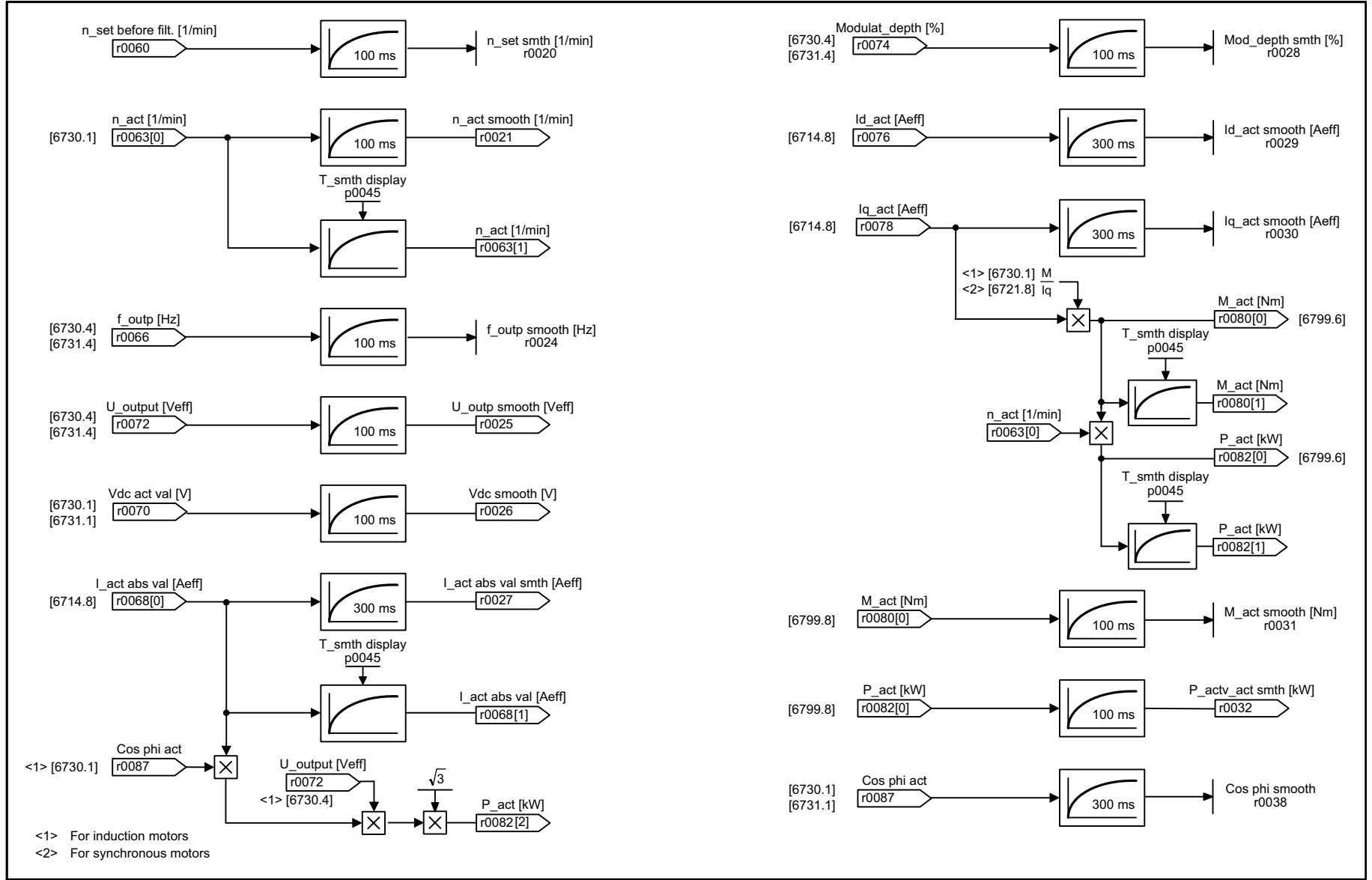


Fig. 2-84 6730 – Interface of the Power Module (ASM, p0300 = 1)

1	2	3	4	5	6	7	8
Vector control					FP_6730_97_05.vsd	Function diagram	
Interface to the Power Module (ASM, p0300 = 1)					13.12.2010 V4.4	SINAMICS G120C	
- 6730 -							

Fig. 2-85 6731 – Interface of the Power Module (PEM; p0300 = 2)





<1> For induction motors
<2> For synchronous motors

1	2	3	4	5	6	7	8
Vector control					FP_6799_97_61.vsd	Function diagram	
Display signals					13.12.2010 V4.4	SINAMICS G120C	
							- 6799 -

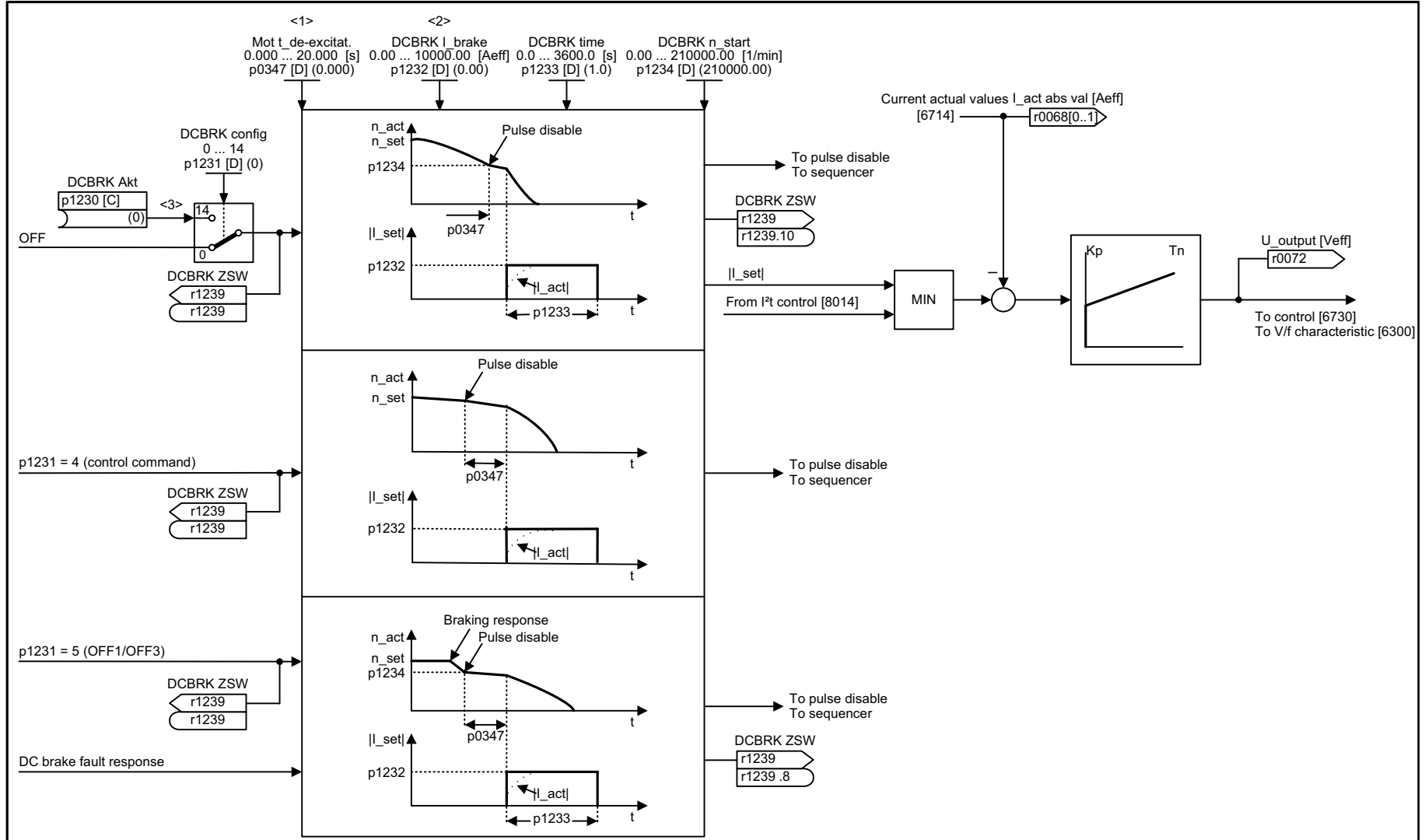
Fig. 2-86 6799 – Display signals

2.12 Technology functions

Function diagrams

7017 – DC brake (p0300 = 1)

2-384



<1> The de-magnetization time is determined during automatic calculation (p0340 = 1, 3).
 <2> The DC braking current is determined during automatic calculation (p0340 = 1).
 <3> DC braking when starting speed for DC braking (p1234) is fallen below.

1	2	3	4	5	6	7	8
Technology functions					FP_7017_97_05.vsd	Function diagram	
DC brake (p0300 = 1)					13.12.2010 V4.4	SINAMICS G120C	

Fig. 2-87 7017 – DC brake (p0300 = 1)

2.13 Technology controller

Function diagrams

7950 – Fixed values, binary selection (p2216 = 2)	2-386
7951 – Fixed values, direct selection (p2216 = 1)	2-387
7954 – Motorized potentiometer	2-388
7958 – Closed-loop control	2-389

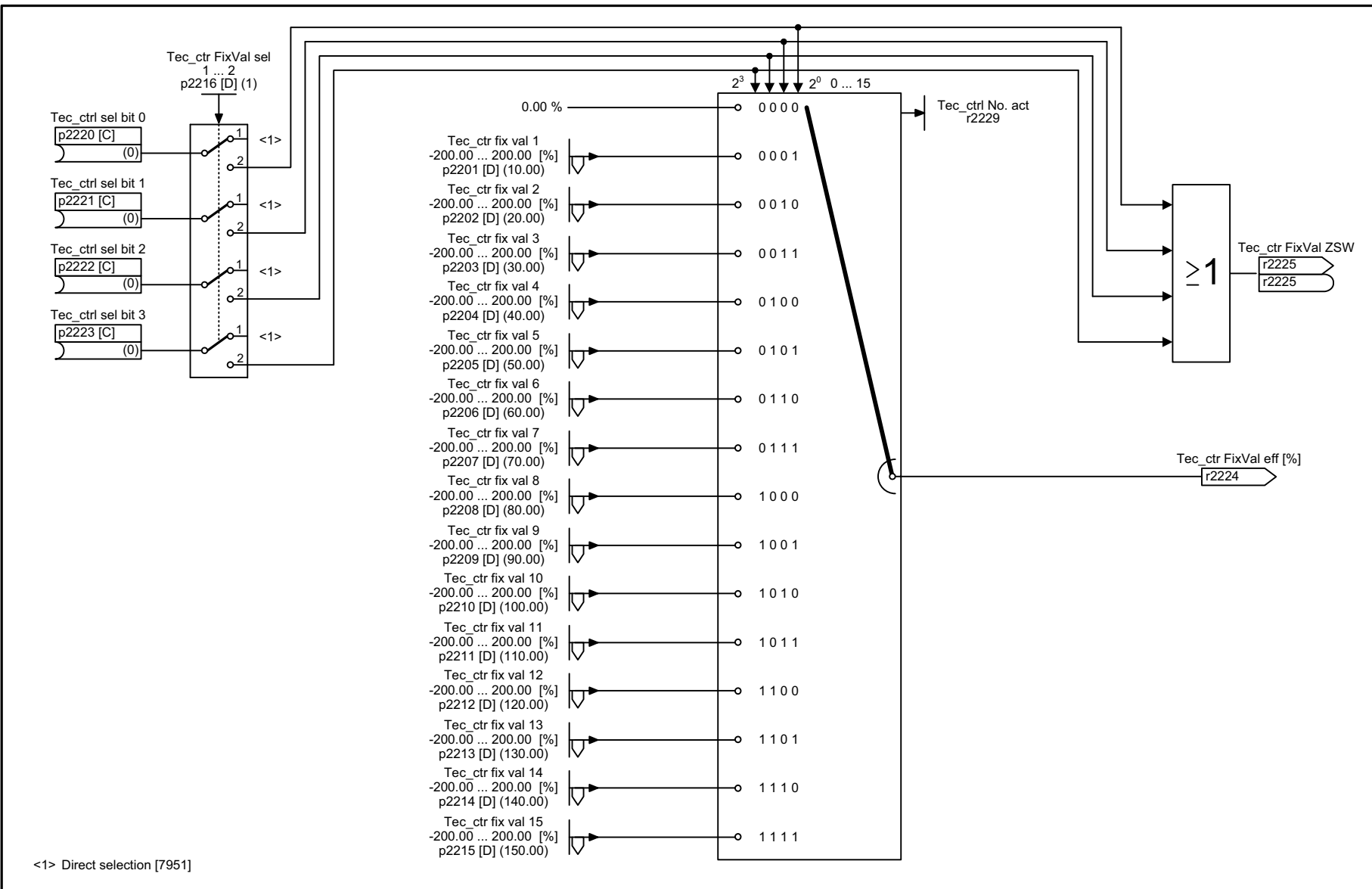


Fig. 2-88 7950 – Fixed values, binary selection (p2216 = 2)

1	2	3	4	5	6	7	8
Technology controller					FP_7950_97_05.vsd	Function diagram	
Fixed values, binary selection (p2216 = 2)					13.12.2010 V4.4	SINAMICS G120C	
							- 7950 -

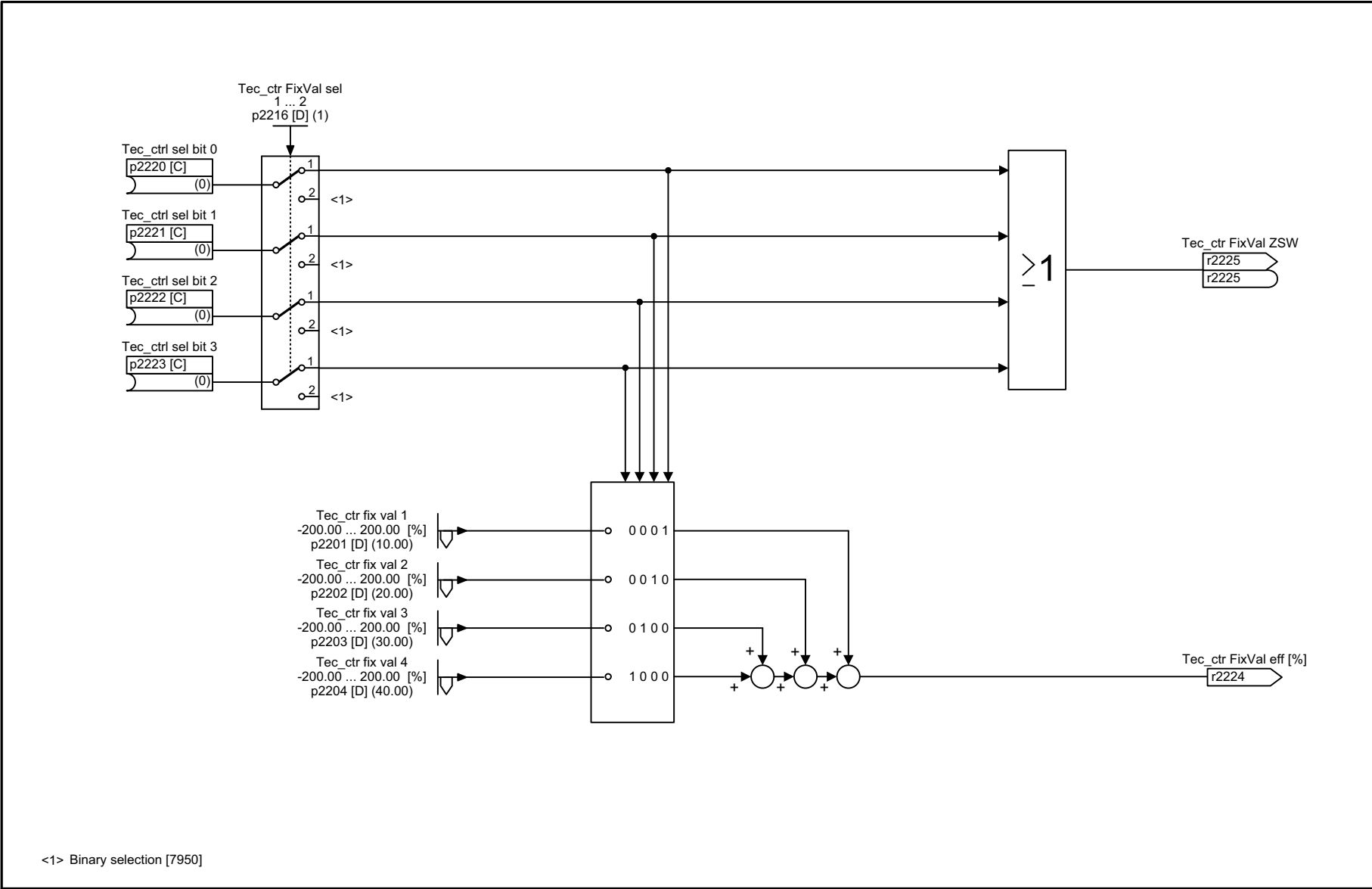
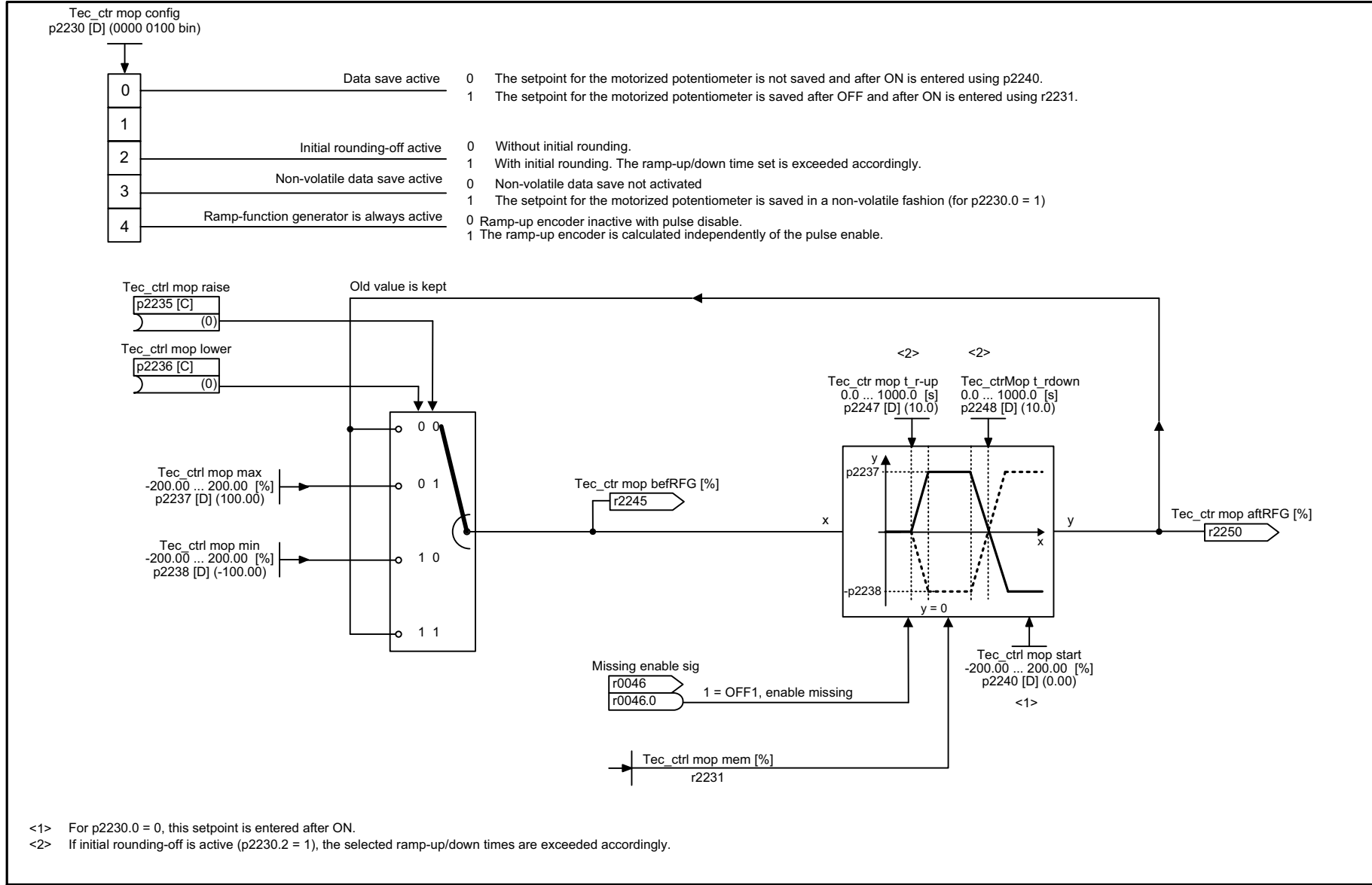


Fig. 2-89 7951 – Fixed values, direct selection (p2216 = 1)

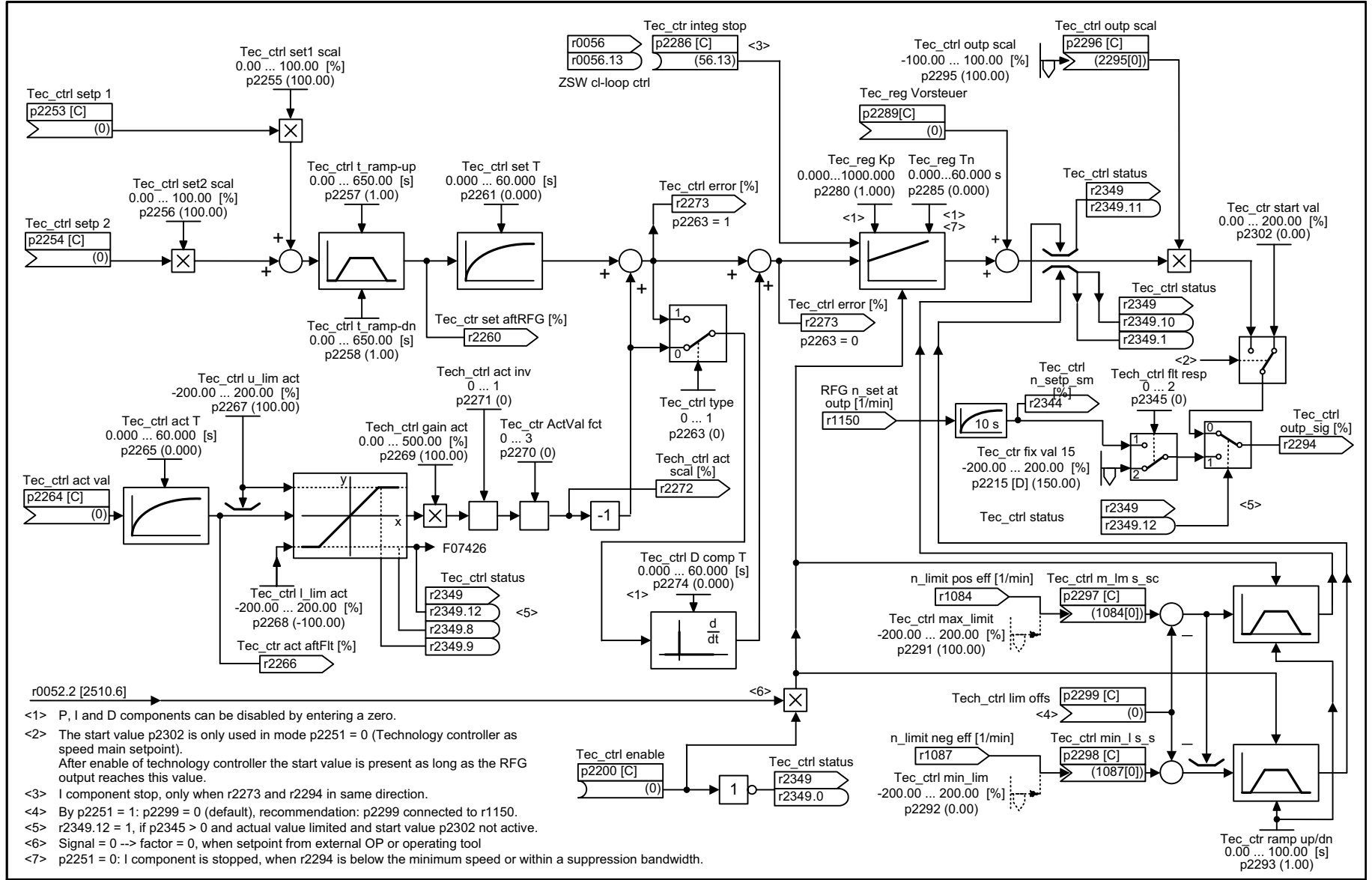
1	2	3	4	5	6	7	8
Technology controller					FP_7951_97_05.vsd	Function diagram	
Fixed values, direct selection (p2216 = 1)					13.12.2010 V4.4	SINAMICS G120C	
							- 7951 -



<1> For p2230.0 = 0, this setpoint is entered after ON.
<2> If initial rounding-off is active (p2230.2 = 1), the selected ramp-up/down times are exceeded accordingly.

1	2	3	4	5	6	7	8
Technology controller					FP_7954_97_61.vsd	Function diagram	
Motorized potentiometer					13.12.2010 V4.4	SINAMICS G120C	
							- 7954 -

Fig. 2-90 7954 – Motorized potentiometer



- <1> P, I and D components can be disabled by entering a zero.
- <2> The start value p2302 is only used in mode p2251 = 0 (Technology controller as speed main setpoint).
After enable of technology controller the start value is present as long as the RFG output reaches this value.
- <3> I component stop, only when r2273 and r2294 in same direction.
- <4> By p2251 = 1: p2299 = 0 (default), recommendation: p2299 connected to r1150.
- <5> r2349.12 = 1, if p2345 > 0 and actual value limited and start value p2302 not active.
- <6> Signal = 0 --> factor = 0, when setpoint from external OP or operating tool
- <7> p2251 = 0: I component is stopped, when r2294 is below the minimum speed or within a suppression bandwidth.

1	2	3	4	5	6	7	8
Technology controller					FP_7958_97_05.vsd	Function diagram	
Closed-loop control					13.12.2010 V4.4	SINAMICS G120C	

Fig. 2-91 7958 – Closed-loop control

2.14 Signals and monitoring functions

Function diagrams

8010 – Speed signals 1	2-391
8011 – Speed signals 2	2-392
8012 – Torque signals, motor locked/stalled	2-393
8014 – Thermal monitoring, power module	2-394
8016 – Thermal monitoring, motor	2-395
8017 – Thermal I2t motor model (PEM, p0300 = 2xx)	2-396
8020 – Monitoring functions 1	2-397
8021 – Monitoring functions 2	2-398

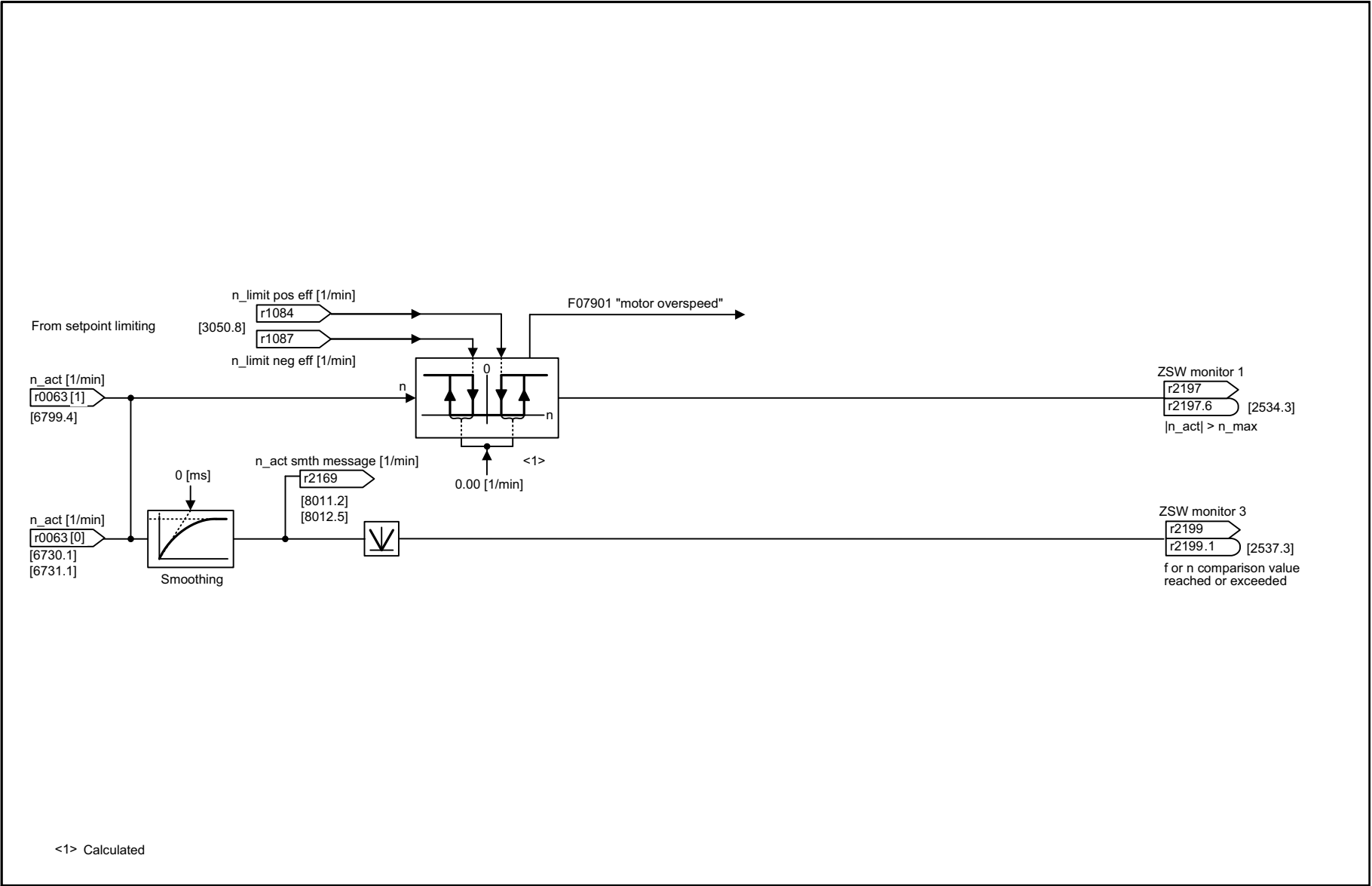


Fig. 2-92 8010 – Speed signals 1

1	2	3	4	5	6	7	8
Signals and monitoring functions					FP_8010_97_05.vsd	Function diagram	
Speed signals 1					13.12.2010 V4.4	SINAMICS G120C	
							- 8010 -

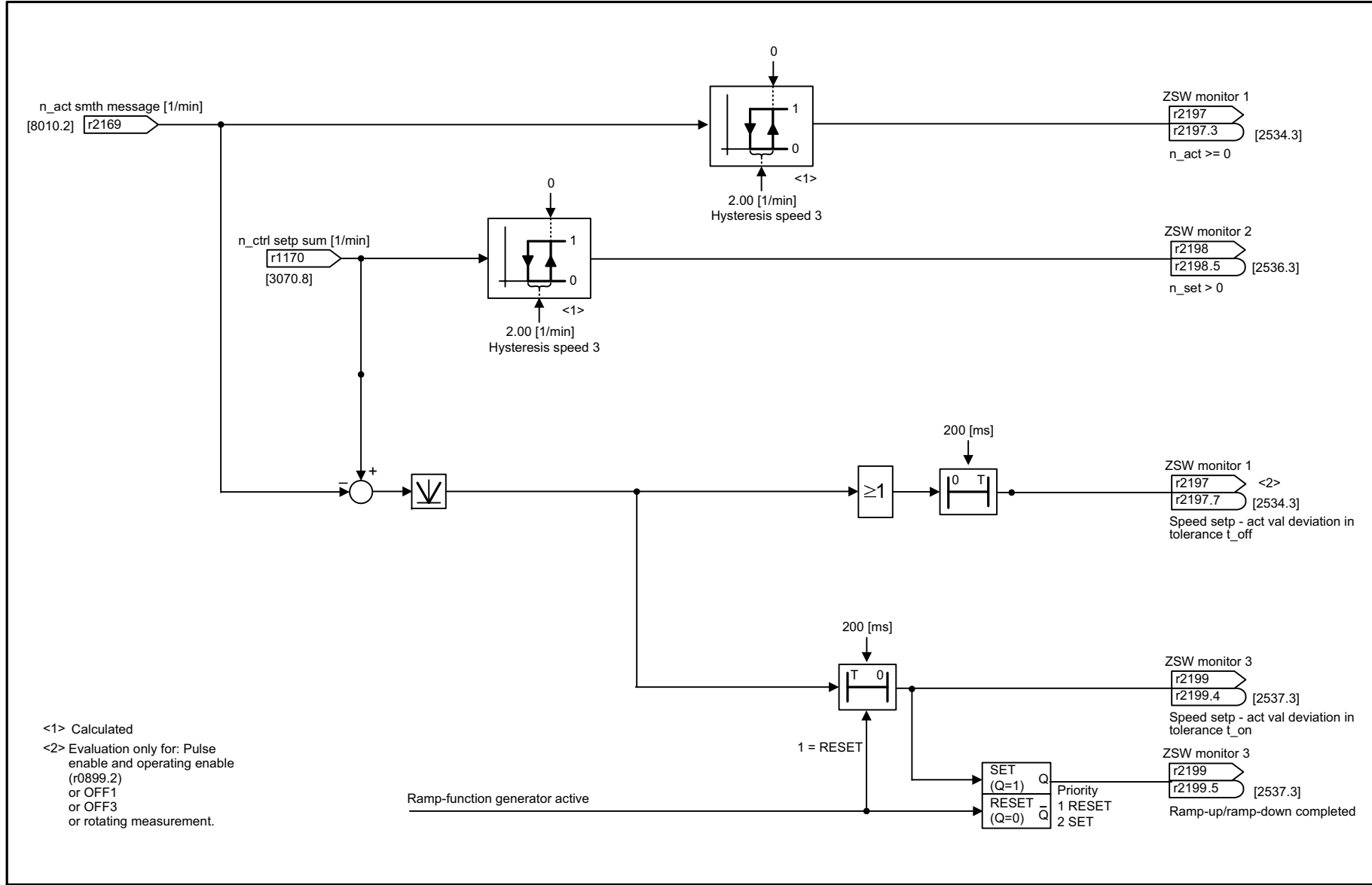
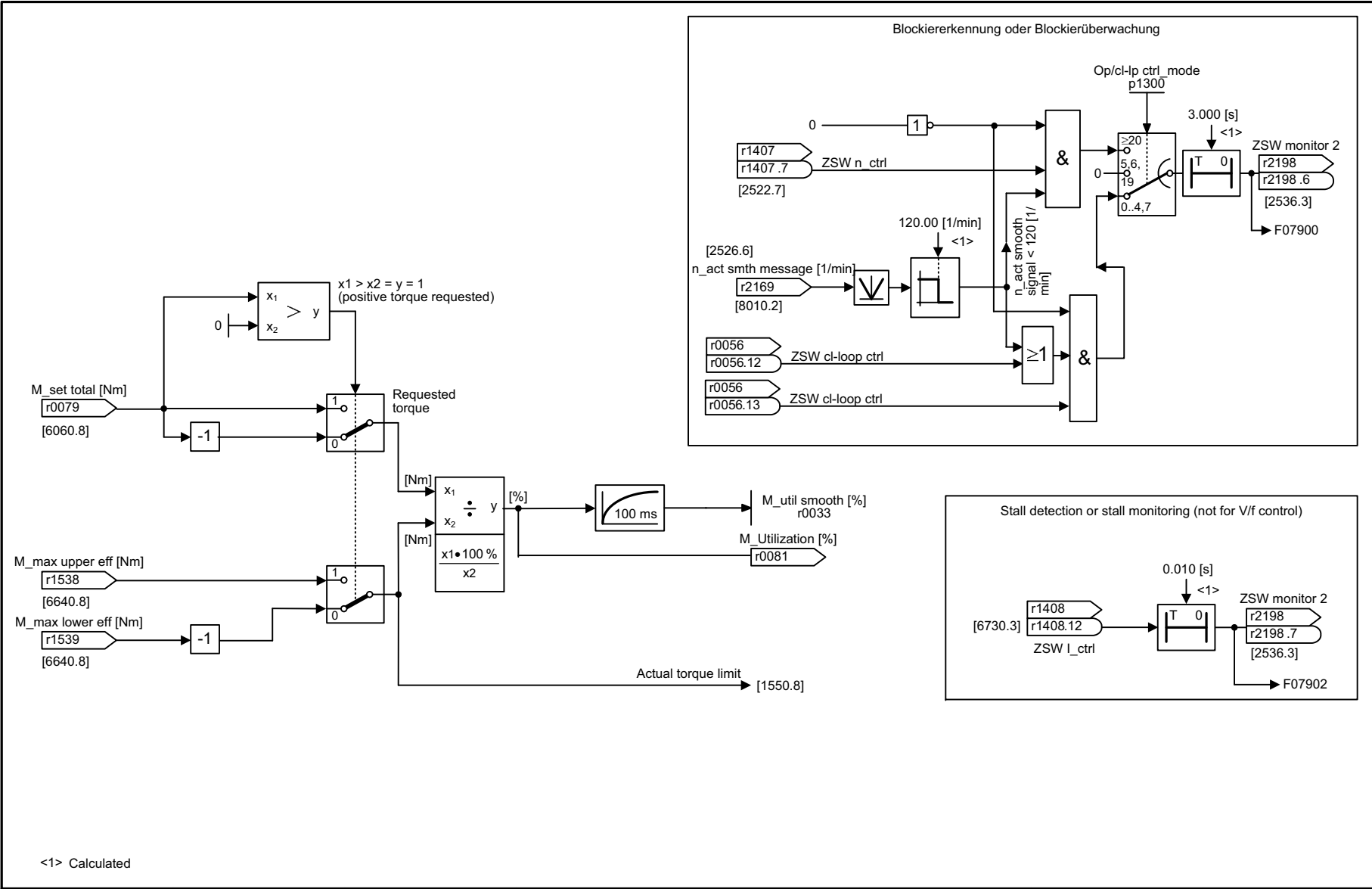


Fig. 2-93 8011 - Speed signals 2

1	2	3	4	5	6	7	8
Signals and monitoring functions					FP_8011_97_05.vsd	Function diagram	
Speed signals 2					13.12.2010 V4.4	SINAMICS G120C	

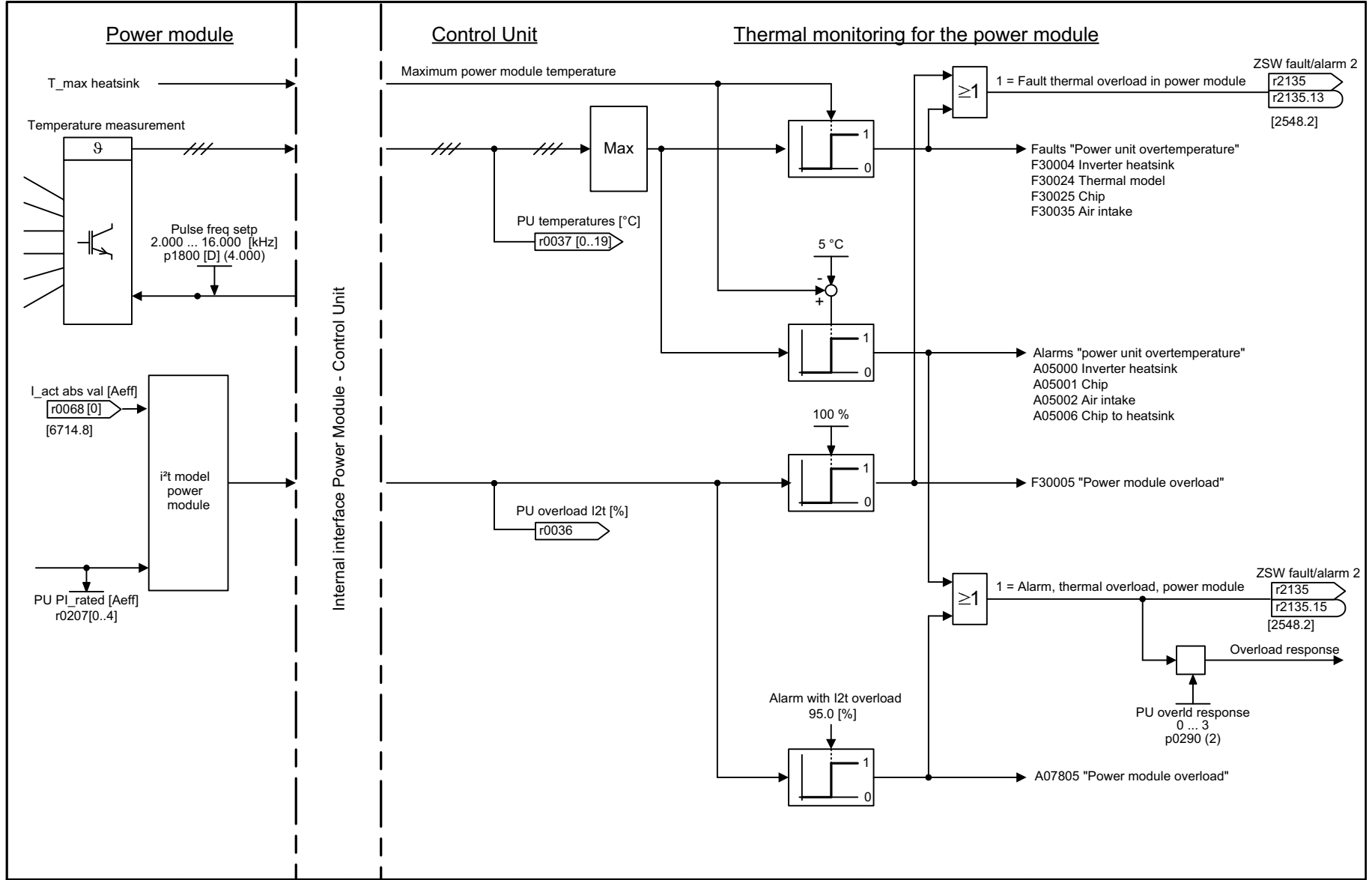


<1> Calculated

1	2	3	4	5	6	7	8
Signals and monitoring functions					FP_8012_97_05.vsd	Function diagram	
Torque signals, motor locked/stalled					13.12.2010 V4.4	SINAMICS G120C	

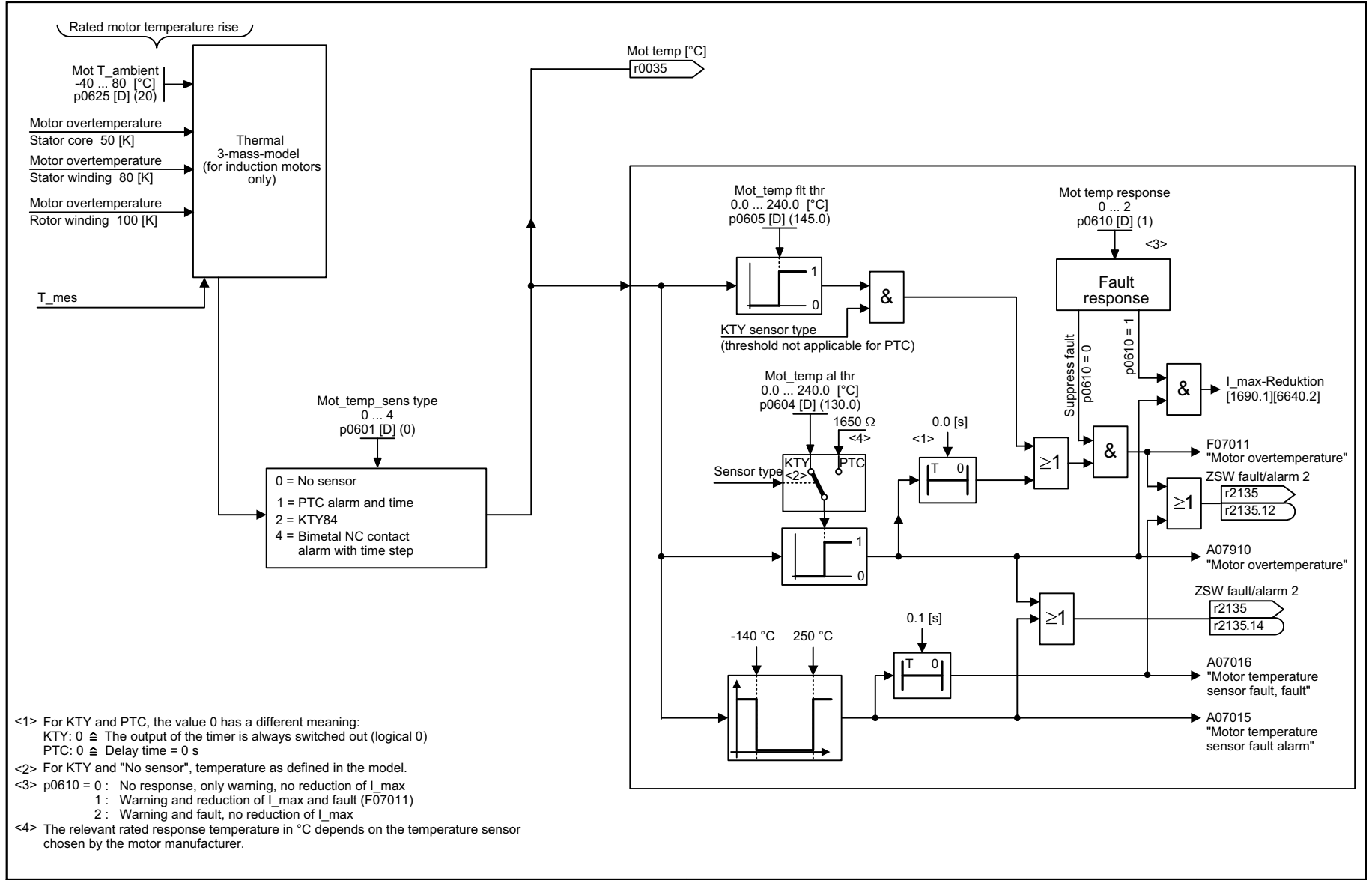
- 8012 -

Fig. 2-94 8012 – Torque signals, motor locked/stalled



1	2	3	4	5	6	7	8
Signals and monitoring functions					FP_8014_97_05.vsd	Function diagram	
Thermal monitoring, power module					13.12.2010 V4.4	SINAMICS G120C	
							- 8014 -

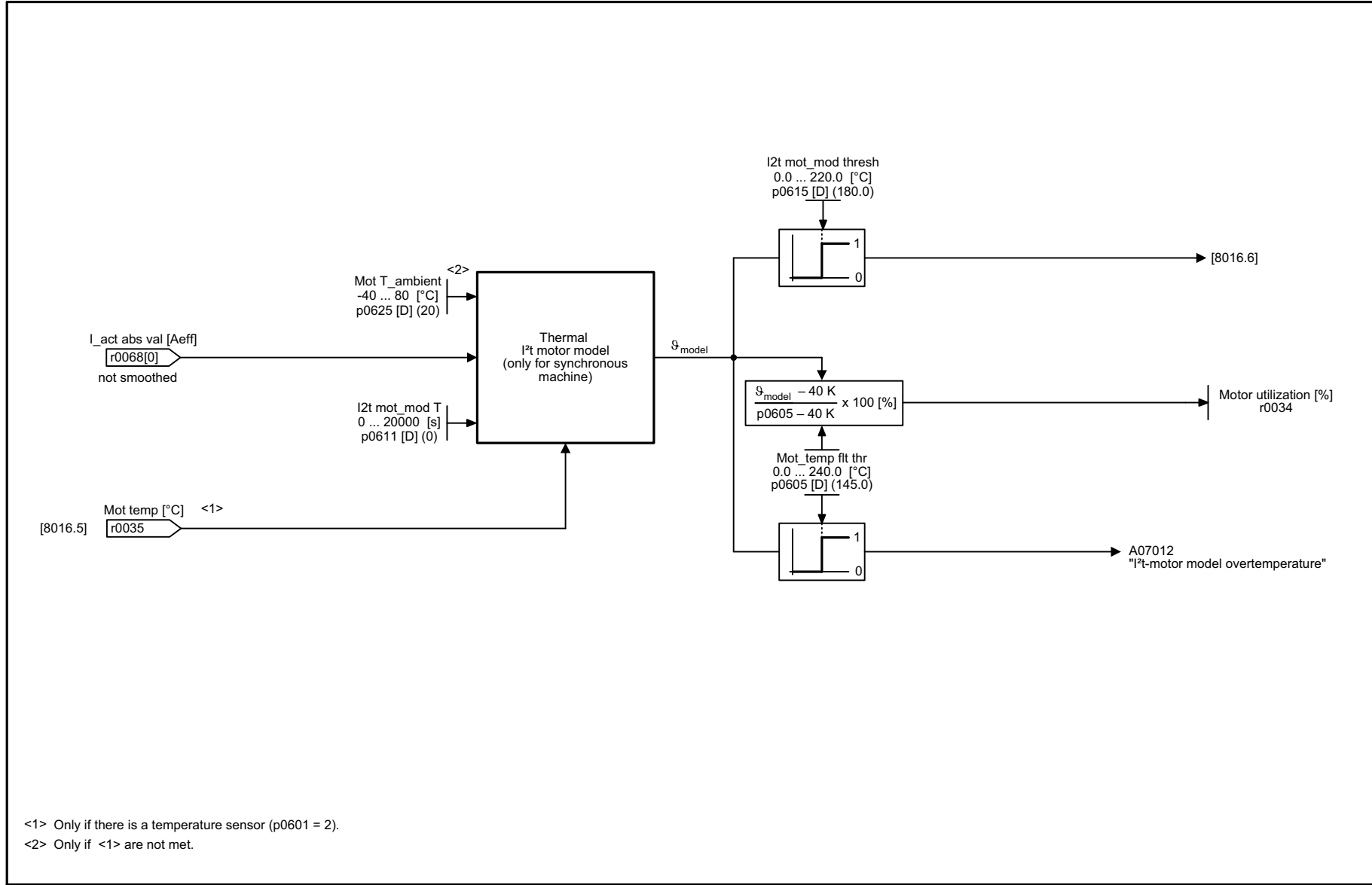
Fig. 2-95 8014 – Thermal monitoring, power module



1	2	3	4	5	6	7	8
Signals and monitoring functions					FP_8016_97_05.vsd	Function diagram	
Thermal monitoring, motor					13.12.2010 V4.4	SINAMICS G120C	

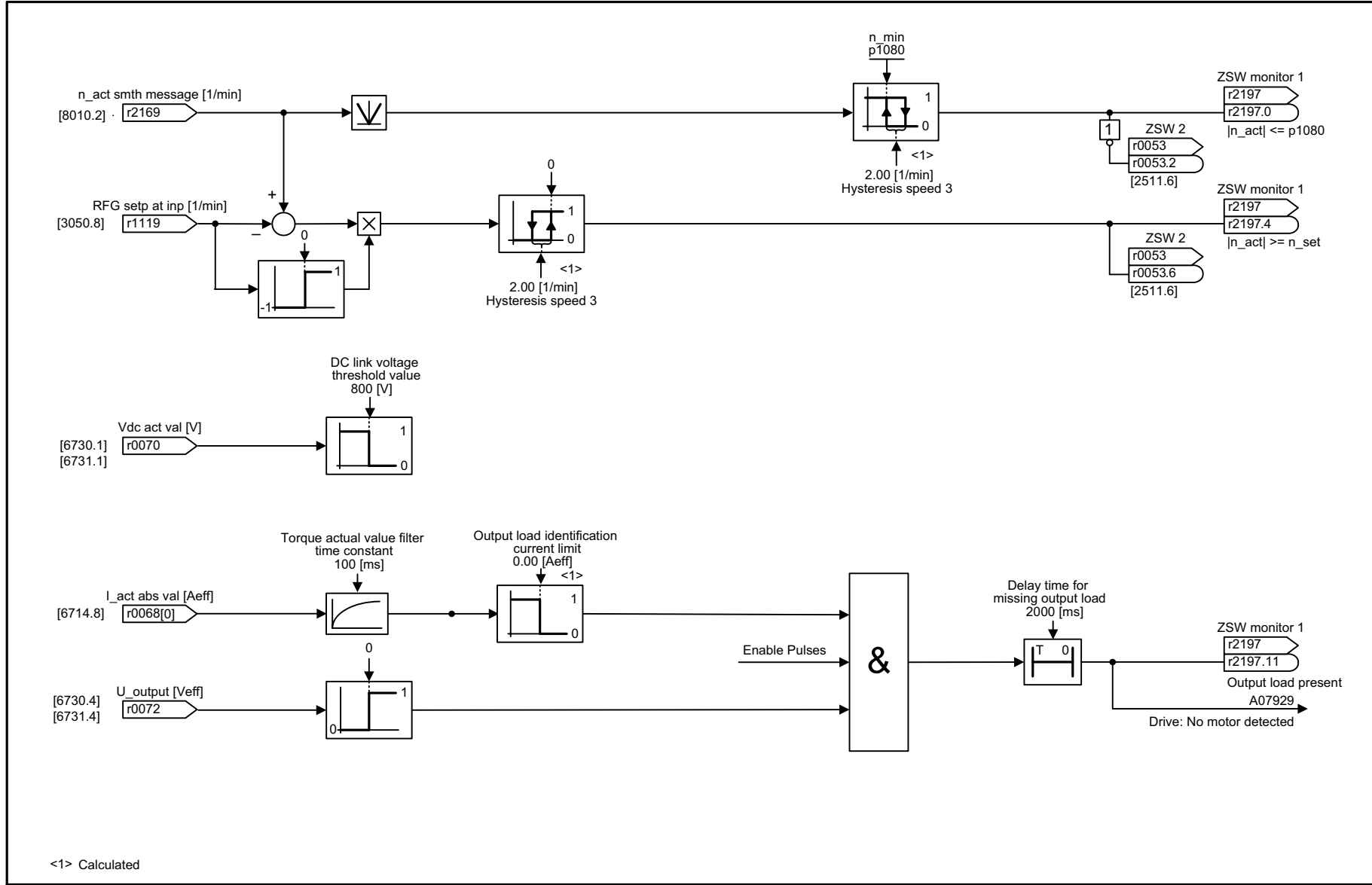
- 8016 -

Fig. 2-96 8016 – Thermal monitoring, motor



1	2	3	4	5	6	7	8
Signals and monitoring functions					FP_8017_97_05.vsd	Function diagram	
Thermal I²t motor model (PEM, p0300 = 2)					13.12.2010 V4.4	SINAMICS G120C	

Fig. 2-97 8017 – Thermal I²t motor model (PEM, p0300 = 2xx)



<1> Calculated

1	2	3	4	5	6	7	8
Signals and monitoring functions					FP_8020_97_05.vsd	Function diagram	
Monitoring functions 1					13.12.2010 V4.4	SINAMICS G120C	
							- 8020 -

Fig. 2-98 8020 – Monitoring functions 1

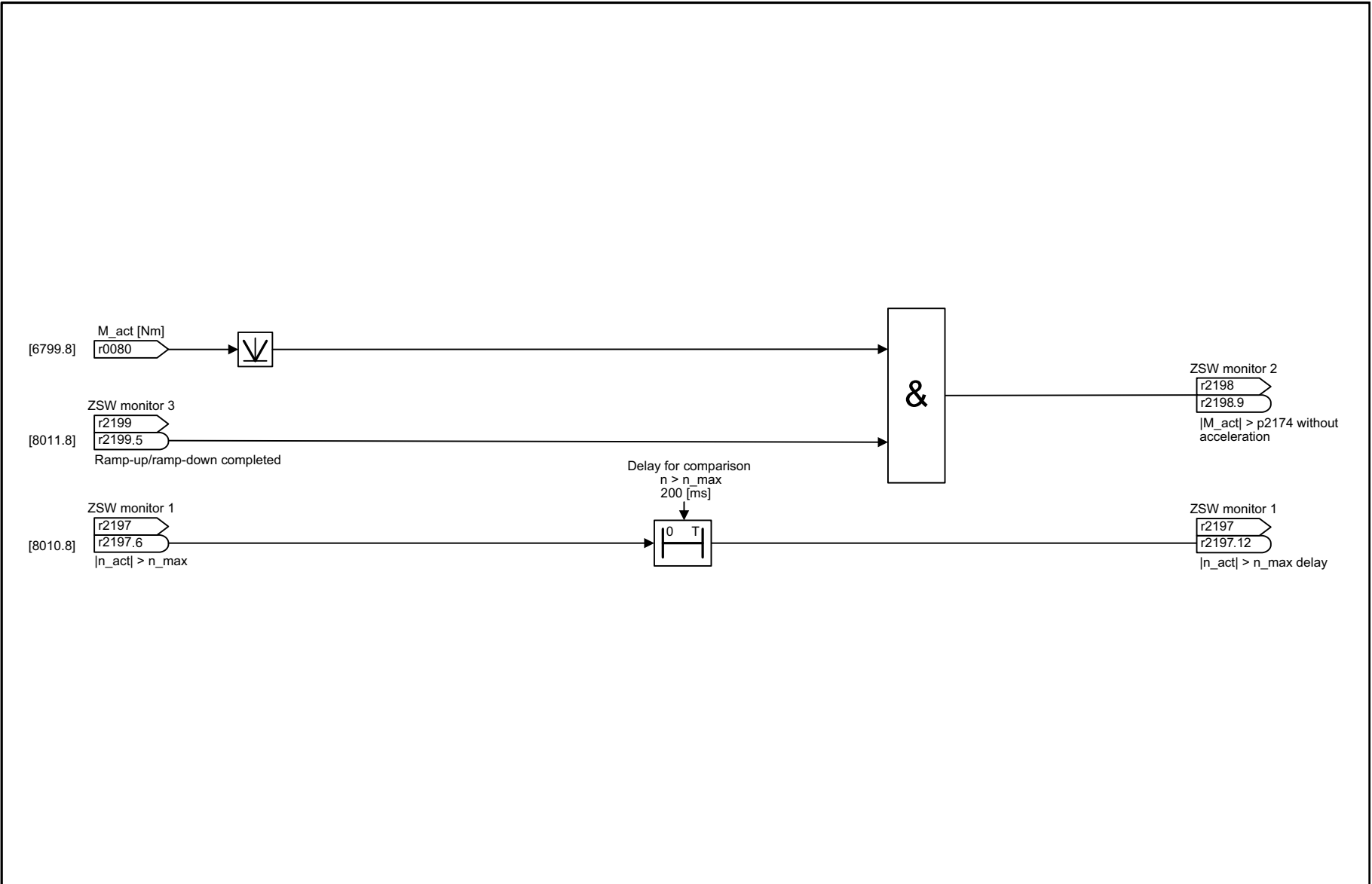


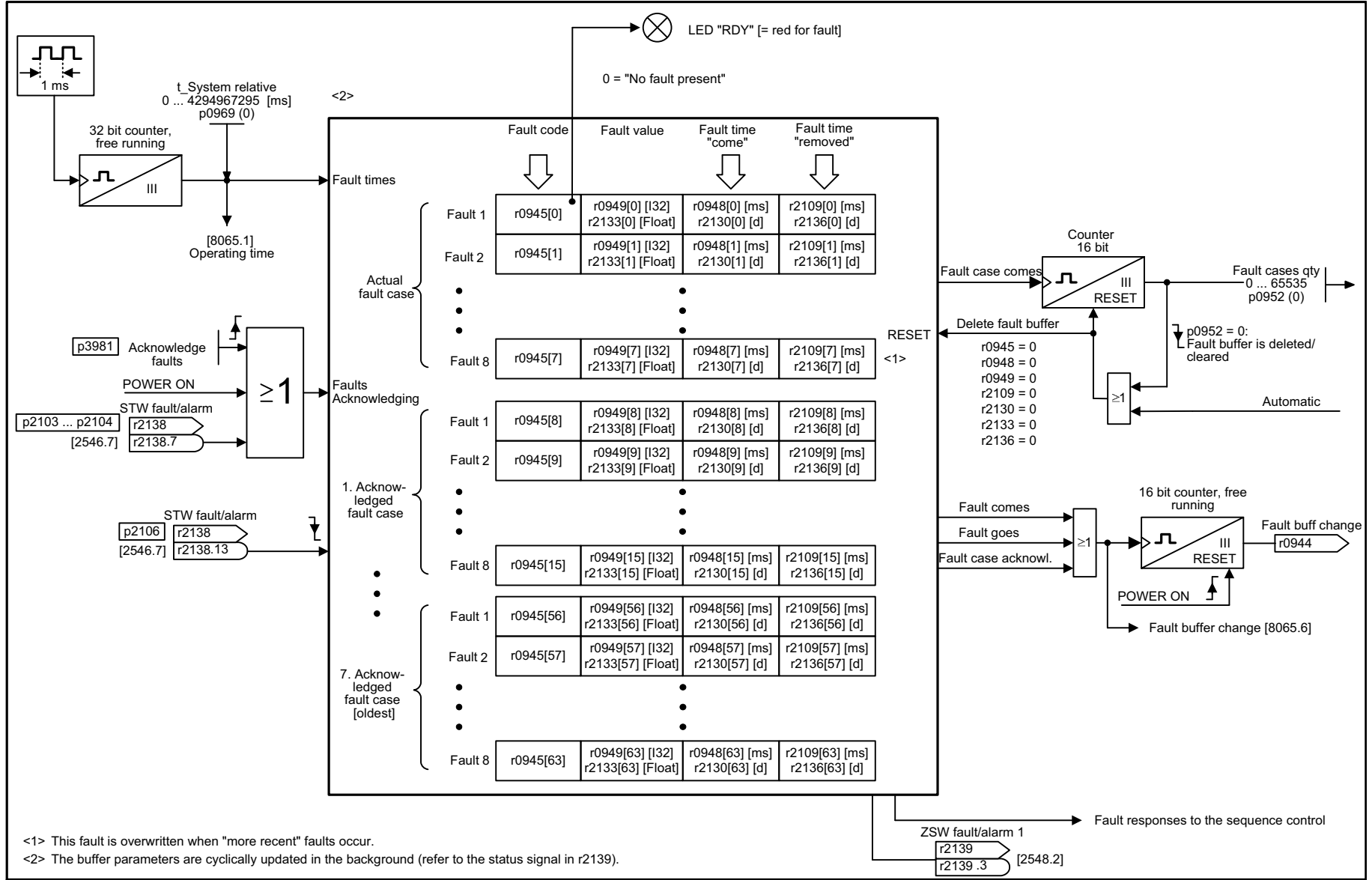
Fig. 2-99 8021 – Monitoring functions 2

1	2	3	4	5	6	7	8
Signals and monitoring functions					FP_8021_97_05.vsd	Function diagram	
Monitoring functions 2					13.12.2010 V4.4	SINAMICS G120C	
							- 8021 -

2.15 Faults and warnings

Function diagrams

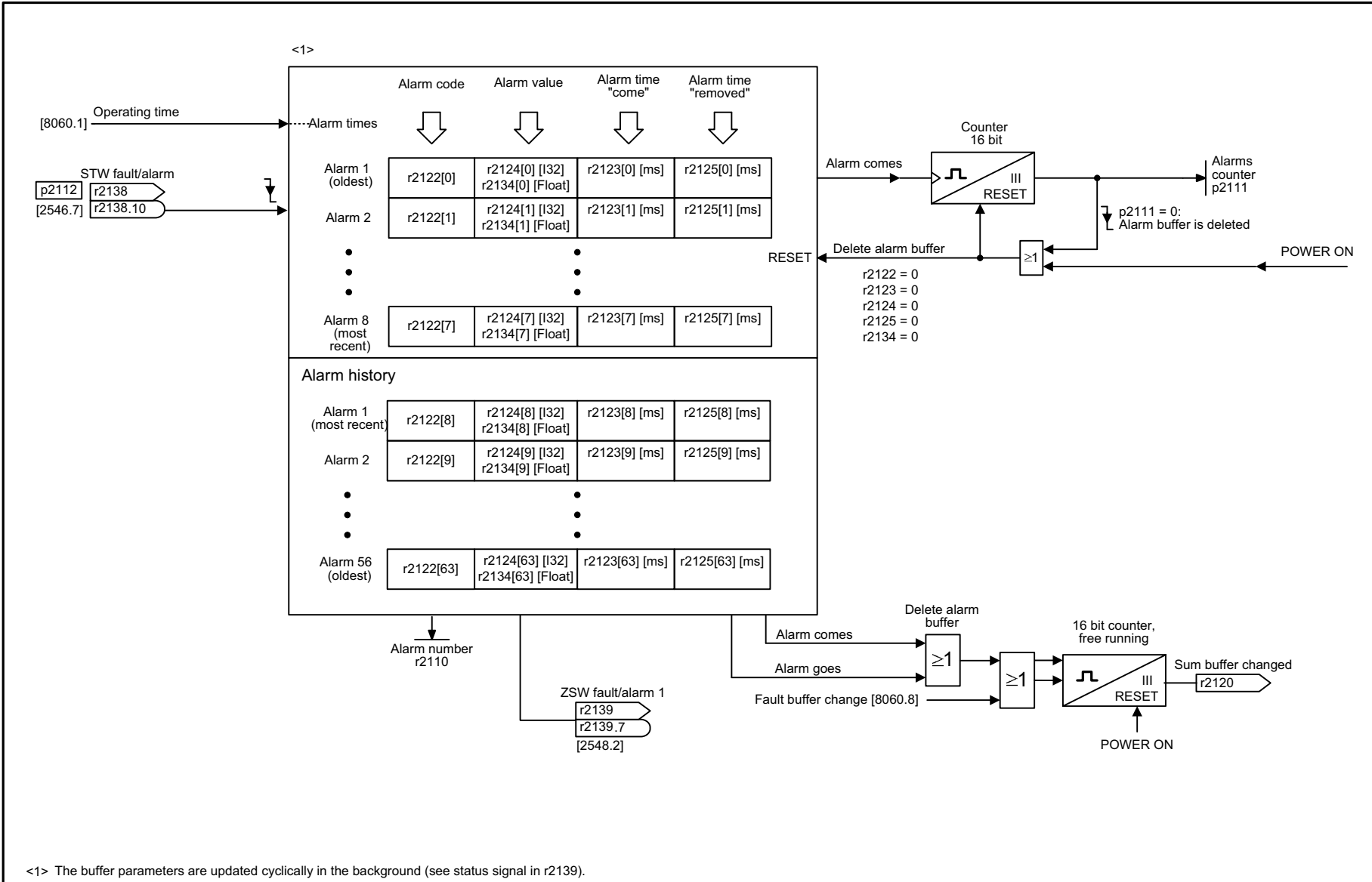
8060 – Fault buffer	2-400
8065 – Warning buffer	2-401
8070 – Fault/warning trigger word (r2129)	2-402
8075 – Fault/warning configuration	2-403



<1> This fault is overwritten when "more recent" faults occur.
<2> The buffer parameters are cyclically updated in the background (refer to the status signal in r2139).

1	2	3	4	5	6	7	8
Faults and warnings					FP_8060_97_05.vsd	Function diagram	
Fault buffer					13.12.2010 V4.4	SINAMICS G120C	
							- 8060 -

Fig. 2-100 8060 – Fault buffer



1	2	3	4	5	6	7	8
Faults and warnings					FP_8065_97_05.vsd	Function diagram	
Warning buffer					13.12.2010 V4.4	SINAMICS G120C	

Fig. 2-101 8065 – Warning buffer

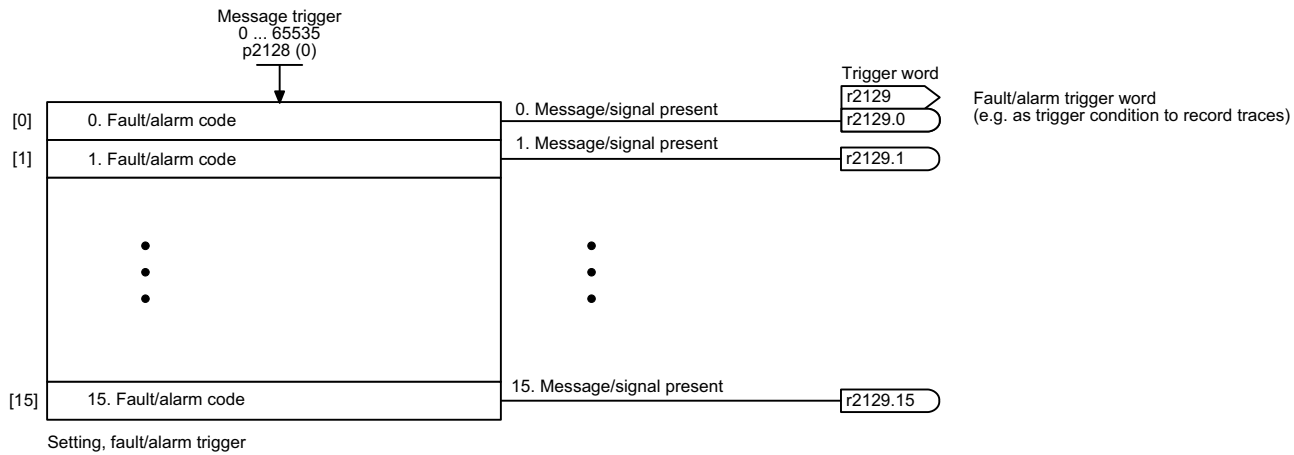
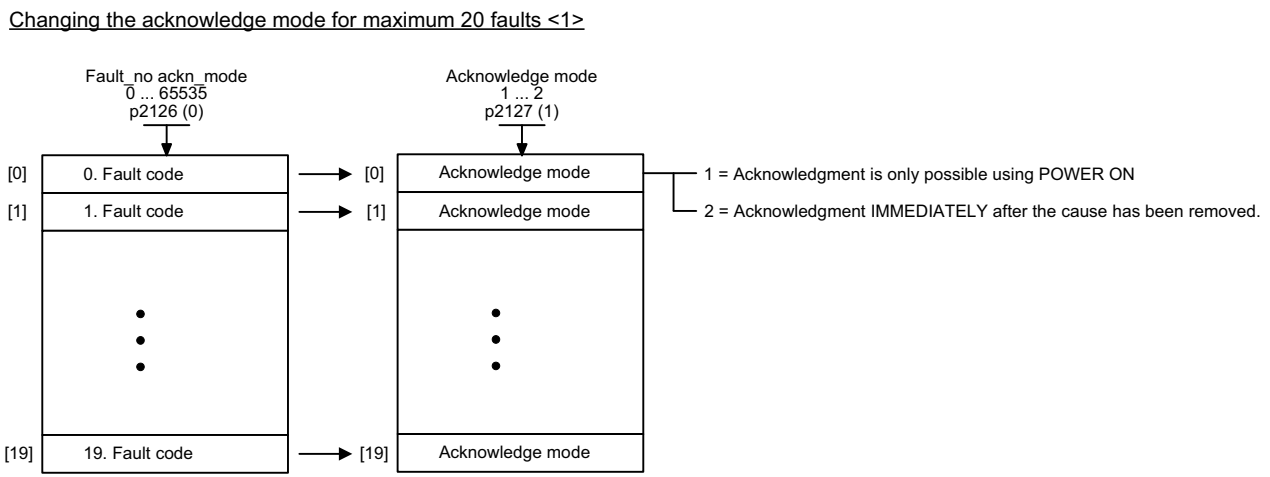
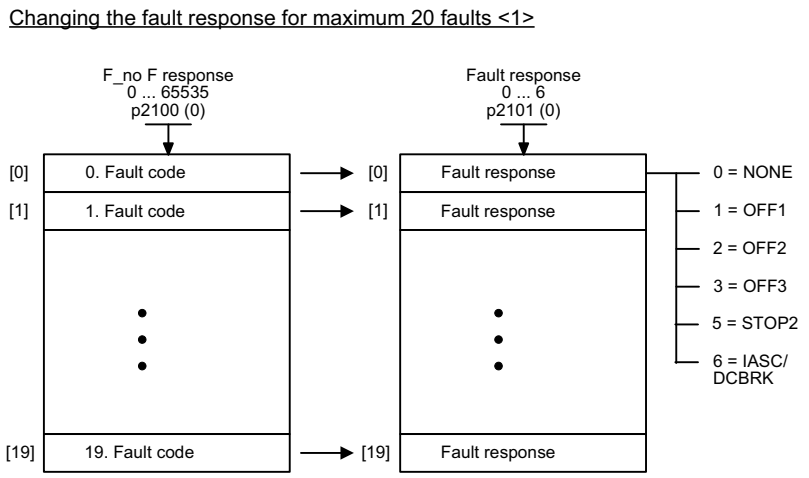


Fig. 2-102 8070 – Fault/warning trigger word (r2129)

1	2	3	4	5	6	7	8
Faults and warnings					FP_8070_97_61.vsd	Function diagram	
Fault/warning trigger word (r2129)					13.12.2010 V4.4	SINAMICS G120C	
- 8070 -							



<1> The fault response and acknowledge mode for all faults and alarms are set to meaningful default values in the factory setting. Changes that may be required are only possible in specific value ranges specified by SIEMENS. When the message type is changed, the supplementary information is transferred from fault value r0949 to alarm value r2124 and vice versa.

Fig. 2-103 8075 – Fault/warning configuration

1	2	3	4	5	6	7	8
Faults and warnings					FP_8075_97_05.vsd	Function diagram	
Fault/warning configuration					13.12.2010 V4.4	SINAMICS G120C	

2.16 Data sets

Function diagrams

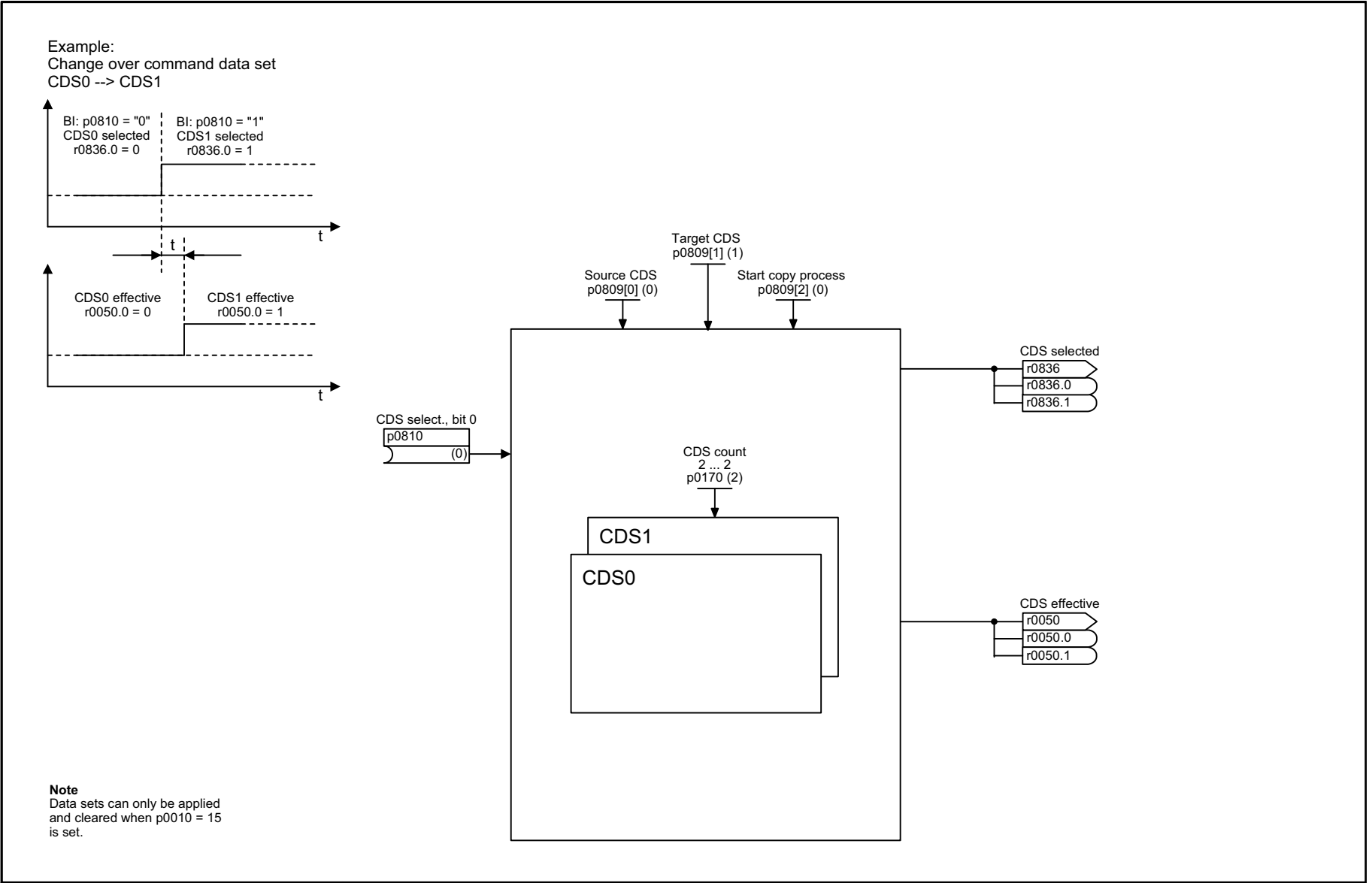


Fig. 2-104 8560 – Command Data Sets (CDS)

1	2	3	4	5	6	7	8
Data sets					FP_8560_97_05.vsd	Function diagram	
Command Data Sets (CDS)					13.12.2010 V4.4	SINAMICS G120C	
							- 8560 -

Faults and Alarms

3

Contents

3.1	Faults and Alarms – Overview	3-408
3.2	List of Faults and Alarms	3-412

3.1 Faults and Alarms – Overview

3.1.1 General information

Indicating fault and alarm messages (faults and alarms)

A message comprises a letter followed by the relevant number.

The letter characterizes the message type and has the following meaning:

- A means "Alarm"
- F means "Fault"
- N means "No Report" or "Internal Report"
- C means Safety message

Brackets including the letters A, F, or N indicate that the message type can be changed, e.g. A01016 (F) means that the alarm A01016 can be parameterized as a fault. This function is not enabled for SINAMICS G120C.

Faults are stored in parameter r0945/r0947, under their code number (e.g. F01003 = 1003). The associated fault value can be found in parameter r0949. The value 0 is entered if a fault has no fault value. It is furthermore possible to read out the point in time that a fault occurred (r0948) and the number of faults (p0952).

Alarms are stored in parameter r2110/r2122, under their code number (e.g. A01503 = 1503) and can be read out from there. The associated alarm value can be found in parameter r2124 and the time of alarm occurrence in r2123.

Differences between faults and alarms

The differences between faults and alarms are as follows:

Table 3-1 Differences between faults and alarms

Type	Description
<p>Faults</p>	<p>What happens when a fault occurs?</p> <ul style="list-style-type: none"> • The appropriate fault reaction is triggered. • Status bit ZSW1.3 is set. • The fault is entered in the fault buffer. <p>How are faults eliminated?</p> <ul style="list-style-type: none"> • Remove the original cause of the fault. • Acknowledge the fault.
<p>Alarms</p>	<p>What happens when an alarm occurs?</p> <ul style="list-style-type: none"> • Status bit ZSW1.7 is set. • The alarm is entered in the alarm buffer. <p>How are alarms eliminated?</p> <ul style="list-style-type: none"> • Alarms acknowledge themselves. If the cause of the alarm is no longer present, then they automatically reset themselves.

3.1.2 Fault reactions

Specifies the default reaction when a fault occurs. The optional brackets indicate whether the default fault reactions can be changed and which fault reactions can be adjusted via parameters (p2100, p2101). The following fault reactions are defined:

Table 3-2 Fault reactions

List	PROFI-drive	Reaction	Description
NONE	-	None	No reaction when a fault occurs.
OFF1	ON/ OFF	Brake along the ramp-function generator deceleration ramp followed by pulse inhibit	Speed control <ul style="list-style-type: none"> • n_set = 0 is input immediately to brake the drive along the deceleration ramp (p1121) until zero speed is detected.
OFF2	COAST STOP	Internal/external pulse inhibit	Speed control <ul style="list-style-type: none"> • Instantaneous pulse suppression, the drive "coasts" to a standstill • Switching on inhibited is activated.
OFF3	QUICK STOP	Brake along OFF3 deceleration ramp followed by pulse inhibit	Speed control <ul style="list-style-type: none"> • n_set=0 is input immediately to brake the drive along the OFF3 deceleration ramp (p1135) until zero speed is detected. • Switching on inhibited is activated.
STOP2	-	n_set = 0	<ul style="list-style-type: none"> • n_set = 0 is input immediately to brake the drive along the OFF3 deceleration ramp (p1135). Although ramping down along the OFF3 deceleration ramp r0052 bit 5 = 1. • The drive remains in closed-loop speed control mode.
IASC/DCBRk	-	-	<ul style="list-style-type: none"> • When a fault occurs with this fault reaction, DC braking is triggered. • The DC brake must have been put into operation (p1230 to p1239).

3.1.3 Acknowledgement of faults

The list of faults and alarms specifies how to acknowledge each fault after the cause has been remedied. The optional brackets indicate whether the default acknowledgement can be changed and which acknowledgement can be adjusted via parameter (p2126, p2127).

Table 3-3 Acknowledgement of faults

Acknowledgement	Description
POWER ON	<p>The fault is acknowledged by a POWER ON process (switch drive unit off and on again).</p> <p>Note: If this action has not eliminated the fault cause, the fault is displayed again immediately after power up.</p>
IMMEDIATELY	<p>Faults can be acknowledged as follows:</p> <ol style="list-style-type: none"> 1 Acknowledge by setting parameter: p3981 = 0 --> 1 2 Acknowledge via binector inputs: <ul style="list-style-type: none"> p2103 BI: 1. Acknowledge faults p2104 BI: 2. Acknowledge faults 3 Acknowledge using PROFIBUS control signal: STW1.7 = 0 --> 1 (edge) <p>Note:</p> <ul style="list-style-type: none"> • These faults can also be acknowledged by a POWER ON operation. • If this action has not eliminated the fault cause, the fault is displayed again immediately after power up.

3.2 List of Faults and Alarms

Product: SINAMICS G120C, Version: 4402100, Language: eng,
Objects: G120C CAN, G120C DP, G120C USS/MB

F01000	Internal software error
Reaction:	OFF2
Acknowledge:	POWER ON
Cause:	An internal software error has occurred. Fault value (r0949, interpret hexadecimal): Only for internal Siemens troubleshooting.
Remedy:	<ul style="list-style-type: none"> - evaluate fault buffer (r0945). - carry out a POWER ON (power off/on) for all components. - upgrade firmware to later version. - contact the Hotline. - replace the Control Unit.
F01001	FloatingPoint exception
Reaction:	OFF2
Acknowledge:	POWER ON
Cause:	An exception occurred during an operation with the FloatingPoint data type. The error may be caused by the base system or an OA application (e.g., FBLOCKS, DCC). Fault value (r0949, interpret hexadecimal): Only for internal Siemens troubleshooting. Note: Refer to r9999 for further information about this fault. r9999[0]: Fault number. r9999[1]: Program counter at the time when the exception occurred. r9999[2]: Cause of the FloatingPoint exception. Bit 0 = 1: Operation invalid Bit 1 = 1: Division by zero Bit 2 = 1: Overflow Bit 3 = 1: Underflow Bit 4 = 1: Imprecise result
Remedy:	<ul style="list-style-type: none"> - carry out a POWER ON (power off/on) for all components. - check configuration and signals of the blocks in FBLOCKS. - check configuration and signals of DCC charts. - upgrade firmware to later version. - contact the Hotline.
F01002	Internal software error
Reaction:	OFF2
Acknowledge:	IMMEDIATELY
Cause:	An internal software error has occurred. Fault value (r0949, interpret hexadecimal): Only for internal Siemens troubleshooting.
Remedy:	<ul style="list-style-type: none"> - carry out a POWER ON (power off/on) for all components. - upgrade firmware to later version. - contact the Hotline.
F01003	Acknowledgement delay when accessing the memory
Reaction:	OFF2
Acknowledge:	IMMEDIATELY
Cause:	A memory area was accessed that does not return a "READY". Fault value (r0949, interpret hexadecimal): Only for internal Siemens troubleshooting.
Remedy:	<ul style="list-style-type: none"> - carry out a POWER ON (power off/on) for all components. - contact the Hotline.

N01004 (F, A)	Internal software error
Reaction:	NONE
Acknowledge:	NONE
Cause:	An internal software error has occurred. Fault value (r0949, hexadecimal): Only for internal Siemens troubleshooting.
Remedy:	- read out diagnostics parameter (r9999). - contact the Hotline.

F01005	File upload/download error
Reaction:	NONE
Acknowledge:	IMMEDIATELY
Cause:	The upload or download of EEPROM data was unsuccessful. Fault value (r0949, interpret hexadecimal): yyxxxx hex: yy = component number, xxxx = fault cause xxxx = 000B hex = 11 dec: Power unit component has detected a checksum error. xxxx = 000F hex = 15 dec: The selected power unit will not accept the content of the EEPROM file. xxxx = 0011 hex = 17 dec: Power unit component has detected an internal access error. xxxx = 0012 hex = 18 dec: After several communication attempts, no response from the power unit component. xxxx = 008B hex = 140 dec: EEPROM file for the power unit component not available on the memory card. xxxx = 008D hex = 141 dec: An inconsistent length of the firmware file was signaled. It is possible that the download/upload has been interrupted. xxxx = 0090 hex = 144 dec: When checking the file that was loaded, the component detected a fault (checksum). It is possible that the file on the memory card is defective. xxxx = 0092 hex = 146 dec: This SW or HW does not support the selected function. xxxx = 009C hex = 156 dec: Component with the specified component number is not available (p7828). xxxx = Additional values: Only for internal Siemens troubleshooting.
Remedy:	Save a suitable firmware file or EEPROM file for upload or download in folder "/ee_sac/" on the memory card.

A01009 (N)	CU: Control module overtemperature
Reaction:	NONE
Acknowledge:	NONE
Cause:	The temperature (r0037[0]) of the control module (Control Unit) has exceeded the specified limit value.
Remedy:	- check the air intake for the Control Unit. - check the Control Unit fan. Note: The alarm automatically disappears after the limit value has been undershot.

F01010	Drive type unknown
Reaction:	NONE
Acknowledge:	IMMEDIATELY
Cause:	An unknown drive type was found.
Remedy:	- replace Power Module. - carry out a POWER ON (power off/on). - upgrade firmware to later version. - contact the Hotline.

F01015	Internal software error
Reaction:	OFF2
Acknowledge:	POWER ON
Cause:	An internal software error has occurred. Fault value (r0949, decimal interpretation): Only for internal Siemens troubleshooting.
Remedy:	- carry out a POWER ON (power off/on) for all components. - upgrade firmware to later version. - contact the Hotline.
A01016 (F)	Firmware changed
Reaction:	NONE
Acknowledge:	NONE
Cause:	At least one firmware file in the directory /SIEMENS/SINAMICS/ has been changed without authorization with respect to the version shipped from the factory. No changes are permitted in this directory. Alarm value (r2124, interpret decimal): 0: Checksum of one file is incorrect. 1: File missing. 2: Too many files. 3: Incorrect firmware version. 4: Incorrect checksum of the back-up file.
Remedy:	For the non-volatile memory for the firmware (memory card/device memory), restore the delivery condition. Note: The file involved can be read out using parameter r9925.
A01017	Component lists changed
Reaction:	NONE
Acknowledge:	NONE
Cause:	On the memory card, one file in the directory /SIEMENS/SINAMICS/DATA or /ADDON/SINAMICS/DATA has been illegally changed with respect to that supplied from the factory. No changes are permitted in this directory. Alarm value (r2124, interpret decimal): zyx dec: x = Problem, y = Directory, x = File name x = 1: File does not exist. x = 2: Firmware version of the file does not match the software version. x = 3: File checksum is incorrect. y = 0: Directory /SIEMENS/SINAMICS/DATA/ y = 1: Directory /ADDON/SINAMICS/DATA/ z = 0: File MOTARM.ACX z = 1: File MOTSRM.ACX z = 2: File MOTSLM.ACX z = 3: File ENCDATA.ACX z = 4: File FILTDATA.ACX z = 5: File BRKDATA.ACX z = 6: File DAT_BEAR.ACX z = 7: File CFG_BEAR.ACX
Remedy:	For the file on the memory card involved, restore the status originally supplied from the factory.
F01018	Bootling has been interrupted several times
Reaction:	NONE
Acknowledge:	POWER ON
Cause:	Module bootling was interrupted several times. Possible reasons for bootling being interrupted: - POWER OFF of the module. - CPU crash. - USER data invalid. After this fault is output, then the module is booted with the factory settings.
Remedy:	Power down the module and power it up again. Note: After switching on, the module reboots from the USER data (if available). If the fault situation is repeated, then this fault is again output after several interrupted boots.

A01019	Writing to the removable data medium unsuccessful
Reaction:	NONE
Acknowledge:	NONE
Cause:	The write access to the removable data medium was unsuccessful.
Remedy:	Remove and check the removable data medium. Then run the data backup again.
A01020	Write to RAM disk unsuccessful
Reaction:	NONE
Acknowledge:	NONE
Cause:	The write access to the internal RAM disk was unsuccessful.
Remedy:	Adapt the size of the system logbook (p9930) to the internal RAM disk.
F01023	Software timeout (internal)
Reaction:	NONE
Acknowledge:	IMMEDIATELY
Cause:	An internal software timeout has occurred. Fault value (r0949, decimal interpretation): Only for internal Siemens troubleshooting.
Remedy:	- carry out a POWER ON (power off/on) for all components. - upgrade firmware to later version. - contact the Hotline.
A01028	Configuration error
Reaction:	NONE
Acknowledge:	NONE
Cause:	The parameterization that was downloaded was generated with a different module type (Order No., MLFB).
Remedy:	Save parameters in a non-volatile fashion (p0971 = 1).
F01030	Sign-of-life failure for master control
Reaction:	OFF3 (IASC/DCBRAKE, NONE, OFF1, OFF2, STOP2)
Acknowledge:	IMMEDIATELY
Cause:	For active PC master control, no sign-of-life was received within the monitoring time. The master control was returned to the active BICO interconnection.
Remedy:	Set the monitoring time higher at the PC or, if required, completely disable the monitoring function. For the commissioning software, the monitoring time is set as follows: <Drive> -> Commissioning -> Control panel -> Button "Fetch master control" -> A window is displayed to set the monitoring time in milliseconds. Notice: The monitoring time should be set as short as possible. A long monitoring time means a late response when the communication fails!
F01033	Units changeover: Reference parameter value invalid
Reaction:	NONE
Acknowledge:	IMMEDIATELY
Cause:	When changing over the units to the referred representation type, it is not permissible for any of the required reference parameters to be equal to 0.0 Fault value (r0949, parameter): Reference parameter whose value is 0.0. See also: p0505 (Selecting the system of units), p0595 (Selecting technological units)
Remedy:	Set the value of the reference parameter to a number different than 0.0. See also: p0304, p0305, p0310, p0596, p2000, p2001, p2002, p2003, r2004

F01034	Units changeover: Calculation parameter values after reference value change unsuccessful
Reaction:	NONE
Acknowledge:	IMMEDIATELY
Cause:	The change of a reference parameter meant that for an involved parameter the selected value was not able to be re-calculated in the per unit representation. The change was rejected and the original parameter value restored. Fault value (r0949, parameter): Parameter whose value was not able to be re-calculated. See also: p0304, p0305, p0310, p0596, p2000, p2001, p2002, p2003, r2004
Remedy:	Select the value of the reference parameter such that the parameter involved can be calculated in the per unit representation. See also: p0304, p0305, p0310, p0596, p2000, p2001, p2002, p2003, r2004
A01035 (F)	ACX: Boot from the back-up parameter back-up files
Reaction:	NONE
Acknowledge:	NONE
Cause:	When the Control Unit is booted, no complete data set was found from the parameter back-up files. The last time that the parameterization was saved, it was not completely carried out. Instead, a back-up data set or a back-up parameter back-up file is downloaded. Alarm value (r2124, interpret hexadecimal): Only for internal Siemens troubleshooting.
Remedy:	If you have saved the project using the commissioning software, carry out a new download for your project. Save using the function "Copy RAM to ROM" or with p0971 = 1 so that all of the parameter files are again completely written to the non-volatile memory.
F01036 (A)	ACX: Parameter back-up file missing
Reaction:	NONE (OFF1, OFF2, OFF3)
Acknowledge:	IMMEDIATELY
Cause:	When downloading the device parameterization, a parameter back-up file associated with a drive object cannot be found. Neither a PSxxxxyy.ACX, a PSxxxxyy.NEW nor a PSxxxxyy.BAK parameter back-up file exists in the non-volatile memory for this drive object. Fault value (r0949, interpret hexadecimal): Byte 1: yy in the file name PSxxxxyy.ACX yy = 000 --> consistency back-up file yy = 001 ... 062 --> drive object number yy = 099 --> PROFIBUS parameter back-up file Byte 2, 3, 4: Only for internal Siemens troubleshooting.
Remedy:	If you have saved the project data using the commissioning software, carry out a new download for your project. Save using the function "Copy RAM to ROM" or with p0971 = 1 so that all of the parameter files are again completely written to the non-volatile memory. If you have not saved the project data, then first commissioning of the system has to be carried out again.

F01037 (A) ACX: Re-naming the parameter back-up file unsuccessful**Reaction:** NONE (OFF1, OFF2, OFF3)**Acknowledge:** IMMEDIATELY

Cause: Re-naming after saving a parameter back-up file in the non-volatile memory was unsuccessful. One of the parameter back-up files to be re-named had the "read only" attribute. The parameter back-up files are saved in the directory \USER\SINAMICS\DATA. It is possible that the non-volatile memory is defective.

Fault value (r0949, interpret hexadecimal):
 Byte 1: yyy in the file names PSxxxxyy.* or CAxxxxyy.* or CCxxxxyy.*
 yyy = 000 --> consistency back-up file
 yyy = 099 --> PROFIBUS parameter back-up file PSxxx099.*
 Byte 2: xxx in the file name PSxxxxyy.*
 xxx = 000 --> data save started with p0971 = 1
 xxx = 010 --> data save started with p0971 = 10
 xxx = 011 --> data save started with p0971 = 11
 xxx = 012 --> data save started with p0971 = 12
 Byte 4, 3:
 Only for internal Siemens troubleshooting.

Remedy:

- check whether one of the files to be overwritten has the attribute "read only" and change this file attribute to "writable". Check all of the files (PSxxxxyy.*, CCxxxxyy.*, CAxxxxyy.*) that belong to drive yyy designated in the fault value.
- replace the memory card or Control Unit.

F01038 (A) ACX: Loading the parameter back-up file unsuccessful**Reaction:** NONE (OFF1, OFF2, OFF3)**Acknowledge:** IMMEDIATELY

Cause: An error has occurred when downloading PSxxxxyy.ACX or PTxxxxyy.ACX files from the non-volatile memory. Fault value (r0949, interpret hexadecimal):
 Byte 1: yyy in the file name PSxxxxyy.ACX
 yyy = 000 --> consistency back-up file
 yyy = 001 ... 062 --> drive object number
 yyy = 099 --> PROFIBUS parameter back-up file
 Byte 2:
 255 = incorrect drive object type
 254 = topology comparison unsuccessful -> drive object type was not able to be identified
 Reasons could be:
 - incorrect component type in the actual topology
 - component does not exist in the actual topology
 - component not active
 Otherwise for internal Siemens troubleshooting.
 Byte 4, 3:
 Only for internal Siemens troubleshooting.

Remedy:

- If you have saved the project data using the commissioning software, carry out a new download for your project. Save using the function "Copy RAM to ROM" or with p0971 = 1 so that all of the parameter files are again completely written to the non-volatile memory.
- replace the memory card or Control Unit.

F01039 (A)	ACX: Writing to the parameter back-up file was unsuccessful
Reaction:	NONE (OFF1, OFF2, OFF3)
Acknowledge:	IMMEDIATELY
Cause:	<p>Writing to at least one parameter back-up file PSxxxxyy.*** in the non-volatile memory was unsuccessful.</p> <ul style="list-style-type: none"> - In the directory /USER/SINAMICS/DATA/ at least one parameter back-up file PSxxxxyy.*** has the "read only" file attribute and cannot be overwritten. - There is not sufficient free memory space available. - The non-volatile memory is defective and cannot be written to. <p>Fault value (r0949, interpret hexadecimal): dcba hex a = yyy in the file names PSxxxxyy.*** a = 000 --> consistency back-up file a = 001 ... 062 --> drive object number a = 099 --> PROFIBUS parameter back-up file b = xxx in the file names PSxxxxyy.*** b = 000 --> data save started with p0971 = 1 b = 010 --> data save started with p0971 = 10 b = 011 --> data save started with p0971 = 11 b = 012 --> data save started with p0971 = 12 d, c: Only for internal Siemens troubleshooting.</p>
Remedy:	<ul style="list-style-type: none"> - check the file attribute of the files (PSxxxxyy.***, CAxxxxyy.***, CCxxxxyy.***) and, if required, change from "read only" to "writeable". - check the free memory space in the non-volatile memory. Approx. 80 kbyte of free memory space is required for every drive object in the system. - replace the memory card or Control Unit.

F01040	Save parameter settings and carry out a POWER ON
Reaction:	OFF2
Acknowledge:	POWER ON
Cause:	A parameter has been changed that requires the parameters to be backed up and the Control Unit to be switched OFF and ON again.
Remedy:	<ul style="list-style-type: none"> - Save parameters (p0971). - Switch Control Unit OFF/ON (POWER ON).

F01042 Parameter error during project download**Reaction:** OFF2 (NONE, OFF1, OFF3)**Acknowledge:** IMMEDIATELY

Cause: An error was detected when downloading a project using the commissioning software (e.g. incorrect parameter value).
For the specified parameter, it was detected that dynamic limits were exceeded that may possibly depend on other parameters.
Fault value (r0949, interpret hexadecimal):
ccbbaaaa hex
aaaa = Parameter
bb = Index
cc = fault cause
0: Parameter number illegal.
1: Parameter value cannot be changed.
2: Lower or upper value limit exceeded.
3: Sub-index incorrect.
4: No array, no sub-index.
5: Data type incorrect.
6: Setting not permitted (only resetting).
7: Descriptive element cannot be changed.
9: Descriptive data not available.
11: No master control.
15: No text array available.
17: Task cannot be executed due to operating state.
20: Illegal value.
21: Response too long.
22: Parameter address illegal.
23: Format illegal.
24: Number of values not consistent.
108: Unit unknown.
Additional values:
Only for internal Siemens troubleshooting.

Remedy:

- enter the correct value in the specified parameter.
- identify the parameter that restricts the limits of the specified parameter.

F01043 Fatal error at project download**Reaction:** OFF2 (OFF1, OFF3)**Acknowledge:** IMMEDIATELY

Cause: A fatal error was detected when downloading a project using the commissioning software.
Fault value (r0949, decimal interpretation):
1: Device status cannot be changed to Device Download (drive object ON?).
2: Incorrect drive object number.
8: Maximum number of drive objects that can be generated exceeded.
11: Error while generating a drive object (global component).
12: Error while generating a drive object (drive component).
13: Unknown drive object type.
14: Drive status cannot be changed to "ready for operation" (p0947 and p0949).
15: Drive status cannot be changed to drive download.
16: Device status cannot be changed to "ready for operation".
18: A new download is only possible if the factory settings are restored for the drive unit.
20: The configuration is inconsistent.
Additional values: only for internal Siemens troubleshooting.

Remedy:

- use the current version of the commissioning software.
- modify the offline project and download again (e.g. compare the motor and Power Module in the offline project and on the drive).
- change the drive state (is a drive rotating or is there a message/signal?).
- carefully note any other messages/signals and remove their cause.

F01044	CU: Descriptive data error
Reaction:	OFF2
Acknowledge:	POWER ON
Cause:	An error was detected when loading the descriptive data saved in the non-volatile memory.
Remedy:	Replace the memory card or Control Unit.
A01045	Configuring data invalid
Reaction:	NONE
Acknowledge:	NONE
Cause:	An error was detected when evaluating the parameter files PSxxxxxyy.ACX, PTxxxxxyy.ACX, CAxxxxxyy.ACX, or CCxxxxxyy.ACX saved in the non-volatile memory. Alarm value (r2124, interpret hexadecimal): Only for internal Siemens troubleshooting.
Remedy:	Restore the factory setting using (p0970 = 1) and re-load the project to the drive unit. Operation without any restrictions is then possible. After downloading the project, save the parameters in STARTER using "Copy RAM to ROM" or with p0971 = 1. This overwrites the incorrect parameter files in the non-volatile memory.
A01049	It is not possible to write to file
Reaction:	NONE
Acknowledge:	NONE
Cause:	It is not possible to write into a write-protected file (PSxxxxxx.acx). The write request was interrupted. Alarm value (r2124, interpret decimal): Drive object number.
Remedy:	Check whether the "write protected" attribute has been set for the files in the non-volatile memory under .../USER/SINAMICS/DATA/... When required, remove write protection and save again (e.g. set p0971 to 1).
A01064 (F)	CU: Internal error (CRC)
Reaction:	NONE
Acknowledge:	NONE
Cause:	CRC error in the Control Unit program memory
Remedy:	- carry out a POWER ON (power off/on) for all components. - upgrade firmware to later version. - contact the Hotline.
A01066	Buffer memory: 70% fill level reached or exceeded
Reaction:	NONE
Acknowledge:	NONE
Cause:	The non-volatile buffer memory for parameter changes is filled to at least 70%. This can also occur if the buffer memory is active (p0014 = 1) and parameters are continually changed via a fieldbus system.
Remedy:	If required, de-activate and clear the buffer memory (p0014 = 0). If required, clear the buffer memory (p0014 = 2). In the following cases, the entries in the buffer memory are transferred into the ROM and then the buffer memory is cleared: - p0971 = 1 - power down/power up the Control Unit

A01067	Buffer memory: 100 % fill level reached
Reaction:	NONE
Acknowledge:	NONE
Cause:	The non-volatile buffer memory for parameter changes is filled to 100%. All additional parameter changes will no longer be taken into account in the non-volatile buffer memory. However, parameter changes can still be made in the volatile memory (RAM). This can also occur if the buffer memory is active (p0014 = 1) and parameters are continually changed via a fieldbus system.
Remedy:	If required, de-activate and clear the buffer memory (p0014 = 0). If required, clear the buffer memory (p0014 = 2). In the following cases, the entries in the buffer memory are transferred into the ROM and then the buffer memory is cleared: - p0971 = 1 - power down/power up the Control Unit

A01069	Parameter backup and device incompatible
Reaction:	NONE
Acknowledge:	NONE
Cause:	The parameter backup on the memory card and the device type do not match (e.g. a memory card with the parameter backup of a SINAMICS CU230 is inserted in SINAMICS CU240). The module boots with the factory settings.
Remedy:	- insert a memory card with compatible parameter backup and carry out a POWER ON. - insert a memory card without parameter backup and carry out a POWER ON. - remove the memory card and carry out POWER ON. - save the parameters (p0971 = 1).

F01105 (A)	CU: Insufficient memory
Reaction:	OFF1
Acknowledge:	POWER ON
Cause:	Too many data sets are configured on this Control Unit. Fault value (r0949, decimal interpretation): Only for internal Siemens troubleshooting.
Remedy:	- reduce the number of data sets.

F01107	Save to memory card unsuccessful
Reaction:	NONE
Acknowledge:	IMMEDIATELY
Cause:	A data save to the memory card was not able to be successfully carried out. - Memory card is defective. - Insufficient space on memory card. Fault value (r0949, decimal interpretation): 1: The file on the RAM was not able to be opened. 2: The file on the RAM was not able to be read. 3: A new directory could not be created on the memory card. 4: A new file could not be created on the memory card. 5: A new file could not be written on the memory card.
Remedy:	- try to save again. - replace the memory card or Control Unit.

F01112	CU: Power unit not permissible
Reaction:	NONE
Acknowledge:	IMMEDIATELY
Cause:	The connected power unit cannot be used together with this Control Unit. Fault value (r0949, decimal interpretation): 1: Power unit is not supported (e.g. PM340).
Remedy:	Replace the power unit that is not permissible by a component that is permissible.

F01120 (A)	Terminal initialization has failed
Reaction:	OFF1 (OFF2)
Acknowledge:	IMMEDIATELY (POWER ON)
Cause:	An internal software error occurred while the terminal functions were being initialized. Fault value (r0949, interpret hexadecimal): Only for internal Siemens troubleshooting.
Remedy:	- carry out a POWER ON (power off/on) for all components. - upgrade firmware to later version. - contact the Hotline. - replace the Control Unit.
F01122 (A)	Frequency at the measuring probe input too high
Reaction:	OFF1 (OFF2)
Acknowledge:	IMMEDIATELY
Cause:	The frequency of the pulses at the measuring probe input is too high. Fault value (r0949, decimal interpretation): 1: DI 1 (term. 6) 2: DI 3 (term. 8)
Remedy:	Reduce the frequency of the pulses at the measuring probe input.
F01205	CU: Time slice overflow
Reaction:	OFF2
Acknowledge:	POWER ON
Cause:	Insufficient computation time. Fault value (r0949, interpret hexadecimal): Only for internal Siemens troubleshooting.
Remedy:	Contact the Hotline.
F01250	CU: CU-EEPROM incorrect read-only data
Reaction:	NONE (OFF2)
Acknowledge:	POWER ON
Cause:	Error when reading the read-only data of the EEPROM in the Control Unit. Fault value (r0949, decimal interpretation): Only for internal Siemens troubleshooting.
Remedy:	- carry out a POWER ON. - replace the Control Unit.
A01251	CU: CU-EEPROM incorrect read-write data
Reaction:	NONE
Acknowledge:	NONE
Cause:	Error when reading the read-write data of the EEPROM in the Control Unit. Alarm value (r2124, interpret decimal): Only for internal Siemens troubleshooting.
Remedy:	For alarm value r2124 < 256, the following applies: - carry out a POWER ON. - replace the Control Unit. For alarm value r2124 >= 256, the following applies: - clear the fault memory (p0952 = 0). - replace the Control Unit.
F01505 (A)	BICO: Interconnection cannot be established
Reaction:	NONE
Acknowledge:	IMMEDIATELY
Cause:	A PROFIdrive telegram has been set (p0922). An interconnection contained in the telegram was not able to be established. Fault value (r0949, decimal interpretation): Parameter receiver that should be changed.
Remedy:	Establish another interconnection.

F01510	BICO: Signal source is not float type
Reaction:	NONE
Acknowledge:	IMMEDIATELY
Cause:	The requested connector output does not have the correct data type. This interconnection is not established. Fault value (r0949, decimal interpretation): Parameter number to which an interconnection should be made (connector output).
Remedy:	Interconnect this connector input with a connector output having a float data type.
F01511 (A)	BICO: Interconnection with different scalings
Reaction:	NONE
Acknowledge:	IMMEDIATELY
Cause:	The requested BICO interconnection was established. However, a conversion is made between the BICO output and BICO input using the reference values. - the BICO output has different normalized units than the BICO input. - message only for interconnections within a drive object. Example: The BICO output has, as normalized unit, voltage and the BICO input has current. This means that the factor p2002/p2001 is calculated between the BICO output and the BICO input. p2002: contains the reference value for current p2001: contains the reference value for voltage Fault value (r0949, decimal interpretation): Parameter number of the BICO input (signal sink).
Remedy:	Not necessary.
F01512	BICO: No scaling available
Reaction:	OFF2
Acknowledge:	POWER ON
Cause:	An attempt was made to determine a conversion factor for a scaling that does not exist. Fault value (r0949, decimal interpretation): Unit (e.g. corresponding to SPEED) for which an attempt was made to determine a factor.
Remedy:	Apply scaling or check the transfer value.
F01513 (A)	BICO: Interconnection cross DO with different scalings
Reaction:	NONE
Acknowledge:	IMMEDIATELY
Cause:	The requested BICO interconnection was established. However, a conversion is made between the BICO output and BICO input using the reference values. An interconnection is made between different drive objects and the BICO output has different normalized units than the BICO input or the normalized units are the same but the reference values are different. Example 1: BICO output with voltage normalized unit, BICO input with current normalized unit, BICO output and BICO input lie in different drive objects. This means that the factor p2002/p2001 is calculated between the BICO output and the BICO input. p2002: contains the reference value for current p2001: contains the reference value for voltage Example 2: BICO output with voltage normalized unit in drive object 1 (DO1), BICO input with voltage normalized unit in drive object 2 (DO2). The reference values for voltage (p2001) of the two drive objects have different values. This means that the factor p2001(DO1)/p2001(DO2) is calculated between the BICO output and the BICO input. p2001: contains the reference value for voltage, drive objects 1, 2 Fault value (r0949, decimal interpretation): Parameter number of the BICO input (signal sink).
Remedy:	Not necessary.

A01514 (F)	BICO: Error when writing during a reconnect
Reaction:	NONE
Acknowledge:	NONE
Cause:	During a reconnect operation (e.g. while booting or downloading - but can also occur in normal operation) a parameter was not able to be written to. Example: When writing to a double word BICO input in the second index, the memory areas overlap (e.g. p8861). The parameter is then reset to the factory setting. Alarm value (r2124, interpret decimal): Parameter number of the BICO input (signal sink).
Remedy:	Not necessary.
F01515 (A)	BICO: Writing to parameter not permitted as the master control is active
Reaction:	NONE
Acknowledge:	IMMEDIATELY
Cause:	When changing the number of CDS or when copying from CDS, the master control is active.
Remedy:	If required, return the master control and repeat the operation.
A01590 (F)	Drive: Motor maintenance interval expired
Reaction:	NONE
Acknowledge:	NONE
Cause:	The selected service/maintenance interval for this motor was reached. Alarm value (r2124, interpret decimal): Motor data set number.
Remedy:	carry out service/maintenance and reset the service/maintenance interval.
F01600	SI P1: STOP A initiated
Reaction:	OFF2
Acknowledge:	IMMEDIATELY (POWER ON)
Cause:	The drive-integrated "Safety Integrated" function on processor 1 has detected an error and initiated a STOP A. - forced checking procedure of the safety shutdown path on processor 1 unsuccessful. - subsequent response to fault F01611 (defect in a monitoring channel). Fault value (r0949, decimal interpretation): 0: Stop request from processor 2. 1005: Pulses suppressed although STO not selected and there is no internal STOP A present. 1010: Pulses enabled although STO is selected or an internal STOP A is present. 9999: Subsequent response to fault F01611.
Remedy:	- select Safe Torque Off and de-select again. For fault value = 9999: - carry out diagnostics for fault F01611. Note: STO: Safe Torque Off

F01611	SI P1: Defect in a monitoring channel
Reaction:	NONE (OFF1, OFF2, OFF3)
Acknowledge:	IMMEDIATELY (POWER ON)
Cause:	<p>The drive-integrated "Safety Integrated" function on processor 1 has detected a fault in the crosswise data comparison between the two monitoring channels and has initiated a STOP F. Fault F01600 (SI P1: STOP A initiated) is output as a consequence of this fault. Fault value (r0949, decimal interpretation): 0: Stop request from processor 2. 1 ... 999: Number of the cross-checked data that resulted in this fault. This number is also displayed in r9795. 2: SI enable safety functions (p9601, p9801). Crosswise data comparison is only carried out for the supported bits. 3: SI F-DI changeover tolerance time (p9650, p9850). 8: SI PROFIsafe address (p9610, p9810). 9: SI debounce time for STO (p9651, p9851). 1000: Watchdog timer has expired. Within a time of approx. 5 x p9650, too many switching operations have occurred at F-DI, or STO (also as subsequent response) was initiated too frequently via PROFIsafe. 1001, 1002: Initialization error, change timer / check timer. 2000: Status of the STO selection for both monitoring channels are different. 2001: Feedback of the safe pulse suppression on the two monitoring channels are different. 6000 ... 6999: Error in the PROFIsafe control. For these fault values, the failsafe control signals (failsafe values) are transferred to the safety functions. The significance of the individual message values is described in safety message C01711.</p>
Remedy:	<p>Re fault values 1 ... 999 described in "Cause": - check the cross-checked data that resulted in a STOP F. - carry out a POWER ON (power off/on). For fault value = 1000: - check the wiring of the F-DI (contact problems). - PROFIsafe: Remove contact problems/faults at the PROFIBUS master/PROFINET controller. Re fault value = 1001, 1002: - carry out a POWER ON (power off/on). Re fault value = 2000, 2001, 2002, 2004, 2005: - check the tolerance time F-DI changeover and if required, increase the value (p9650/p9850). - check the wiring of the F-DI (contact problems). - check the causes of the STO selection in r9772. When the SI Motion functions are active (p9501 = 1), STO can also be selected using these functions. Re fault value = 6000 ... 6999: Refer to the description of the message values in safety message C01711. Re fault values that are described in "Cause": - carry out a POWER ON (power off/on). - contact the Hotline - replace Control Unit. Note: F-DI: Failsafe Digital Input STO: Safe Torque Off</p>

N01620 (F, A)	SI P1: Safe Torque Off active
Reaction:	NONE
Acknowledge:	NONE
Cause:	<p>The "Safe Torque Off" (STO) function has been selected on processor 1 using the input terminal and is active. Note: This message does not result in a safety stop response.</p>
Remedy:	<p>Not necessary. Note: STO: Safe Torque Off</p>

F01625 **SI P1: Sign-of-life error in safety data**

Reaction: OFF2

Acknowledge: IMMEDIATELY (POWER ON)

Cause: The drive-integrated "Safety Integrated" function on processor 1 has detected an error in the sign-of-life of the safety data and initiated a STOP A.

- there is a communication error between processor 1 and processor 2 or communication has failed.
- a time slice overflow of the safety software has occurred.

Fault value (r0949, decimal interpretation):
Only for internal Siemens troubleshooting.

Remedy: - select Safe Torque Off and de-select again.
- carry out a POWER ON (power off/on).
- check whether additional faults are present and if required, perform diagnostics.
- check the electrical cabinet design and cable routing for EMC compliance

F01649 **SI P1: Internal software error**

Reaction: OFF2

Acknowledge: IMMEDIATELY (POWER ON)

Cause: An internal error in the Safety Integrated software on processor 1 has occurred.

Note:
This fault results in a STOP A that cannot be acknowledged.
Fault value (r0949, interpret hexadecimal):
Only for internal Siemens troubleshooting.

Remedy: - carry out a POWER ON (power off/on).
- re-commission the "Safety Integrated" function and carry out a POWER ON.
- contact the Hotline.
- replace Control Unit.

F01650	SI P1: Acceptance test required
Reaction:	OFF2
Acknowledge:	IMMEDIATELY (POWER ON)
Cause:	The drive-integrated "Safety Integrated" function on processor 1 requires an acceptance test. Note: This fault results in a STOP A that can be acknowledged. Fault value (r0949, decimal interpretation): 130: Safety parameters for processor 2 not available. Note: This fault value is always output when Safety Integrated is commissioned for the first time. 1000: Reference and actual checksum on processor 1 are not identical (booting). - at least one checksum-checked piece of data is defective. 2000: Reference and actual checksum on processor 1 are not identical (commissioning mode). - reference checksum incorrectly entered on processor 1 (p9799 not equal to r9798). 2001: Reference and actual checksum on processor 2 are not identical (commissioning mode). - reference checksum incorrectly entered on processor 2 (p9899 not equal to r9898). 2002: Enable of safety-related functions between the processor 1 and processor 2 differ (p9601 not equal to p9801). 2003: Acceptance test is required as a safety parameter has been changed. 2004: An acceptance test is required because a project with enabled safety-functions has been downloaded. 2005: The Safety logbook has identified that a functional safety checksum has changed. An acceptance test is required. 2020: Error when saving the safety parameters for the processor 2. 9999: Subsequent response of another safety-related fault that occurred when booting that requires an acceptance test.
Remedy:	For fault value = 130: - carry out safety commissioning routine. For fault value = 1000: - again carry out safety commissioning routine. - replace the memory card or Control Unit. For fault value = 2000: - check the safety parameters on processor 1 and adapt the reference checksum (p9799). For fault value = 2001: - check the safety parameters on processor 2 and adapt the reference checksum (p9899). For fault value = 2002: - enable the safety-related functions on processor 1 and check processor 2 (p9601 = p9801). Re fault value = 2003, 2004, 2005: - Carry out an acceptance test and generate an acceptance report. The fault with fault value 2005 can only be acknowledged when the "STO" function is de-selected. For fault value = 2020: - again carry out safety commissioning routine. - replace the memory card or Control Unit. For fault value = 9999: - carry out diagnostics for the other safety-related fault that is present. Note: STO: Safe Torque Off See also: p9799 (SI setpoint checksum SI parameters (processor 1)), p9899 (SI setpoint checksum SI parameters (processor 2))

F01651	SI P1: Synchronization safety time slices unsuccessful
Reaction:	OFF2
Acknowledge:	IMMEDIATELY (POWER ON)
Cause:	The "Safety Integrated" function requires synchronization of the safety time slices between processor 1 and processor 2. This synchronization was unsuccessful. Note: This fault results in a STOP A that cannot be acknowledged. Fault value (r0949, decimal interpretation): Only for internal Siemens troubleshooting.
Remedy:	- carry out a POWER ON (power off/on).

F01653	SI P1: PROFIBUS configuration error
Reaction:	NONE (OFF1, OFF2, OFF3)
Acknowledge:	IMMEDIATELY (POWER ON)
Cause:	There is a PROFIBUS configuration error for using Safety Integrated monitoring functions with a higher-level control. Note: For safety functions that have been enabled, this fault results in a STOP A that cannot be acknowledged. Fault value (r0949, decimal interpretation): 200: A safety slot for receive data from the control has not been configured. 210, 220: The configured safety slot for the receive data from the control has an unknown format. 230: The configured safety slot for the receive data from the F-PLC has the incorrect length. 231: The configured safety slot for the receive data from the F-PLC has the incorrect length. 250: A PROFIsafe slot is configured in the higher-level F control, however PROFIsafe is not enabled in the drive. 300: A safety slot for the send data to the control has not been configured. 310, 320: The configured safety slot for the send data to the control has an unknown format. 330: The configured safety slot for the send data to the F-PLC has the incorrect length. 331: The configured safety slot for the send data to the F-PLC has the incorrect length.
Remedy:	The following generally applies: - check and, if necessary, correct the PROFIBUS configuration of the safety slot on the master side. - upgrade the Control Unit software. For fault value = 250: - remove the PROFIsafe configuring in the higher-level F control or enable PROFIsafe in the drive. Re fault value = 231, 331: - configure the PROFIsafe telegram matching the parameterization in the F-PLC. If F-DI is enabled via PROFIsafe the following applies: PROFIsafe telegram 900 must be configured. If F-DI is not enabled via PROFIsafe the following applies: PROFIsafe telegram 30 must be configured.
F01655	SI P1: Align monitoring functions
Reaction:	OFF2
Acknowledge:	IMMEDIATELY (POWER ON)
Cause:	An error has occurred when aligning the Safety Integrated monitoring functions on processor 1 and processor 2. No common set of supported SI monitoring functions was able to be determined. - there is a communication error between processor 1 and processor 2 or communication has failed. Note: This fault results in a STOP A that cannot be acknowledged. Fault value (r0949, interpret hexadecimal): Only for internal Siemens troubleshooting.
Remedy:	- carry out a POWER ON (power off/on). - check the electrical cabinet design and cable routing for EMC compliance
F01656	SI P1: Parameter processor 2 parameter error
Reaction:	OFF2
Acknowledge:	IMMEDIATELY (POWER ON)
Cause:	When accessing the Safety Integrated parameters for the processor 2 in the non-volatile memory, an error has occurred. Note: This fault results in a STOP A that can be acknowledged. Fault value (r0949, decimal interpretation): 129: Safety parameters for processor 2 corrupted. 131: Internal software error 132: Communication errors when uploading or downloading the safety parameters. 255: Internal software error on the Control Unit.
Remedy:	- re-commission the safety functions. - replace the memory card or Control Unit. For fault value = 129: - activate the safety commissioning mode (p0010 = 95). - adapt the PROFIsafe address (p9610). - start the copy function for SI parameters (p9700 = D0 hex). - acknowledge data change (p9701 = DC hex). - exit the safety commissioning mode (p0010 = 0). - save all parameters (p0971 = 1 or "copy RAM to ROM"). - carry out a POWER ON (power off/on) for the Control Unit. For fault value = 132: - check the electrical cabinet design and cable routing for EMC compliance

F01659	SI P1: Write request for parameter rejected
Reaction:	OFF2
Acknowledge:	IMMEDIATELY (POWER ON)
Cause:	The write request for one or several Safety Integrated parameters on processor 1 was rejected. Note: This fault does not result in a safety stop response. Fault value (r0949, decimal interpretation): 1: The Safety Integrated password is not set. 2: A reset of the drive parameters was selected. However, the Safety Integrated parameters were not reset, as Safety Integrated is presently enabled. 3: The interconnected STO input is in the simulation mode. 10: An attempt was made to enable the STO function although this cannot be supported. 14: An attempt was made to enable the PROFIsafe communications although this cannot be supported. 15: An attempt was made to enable the motion monitoring functions integrated in the drive although these cannot be supported. 18: An attempt was made to enable the PROFIsafe function for Basic Functions although this cannot be supported. 20: An attempt was made to simultaneously enable both the drive-integrated motion monitoring functions via integrated F-DI and STO via terminals, even though these cannot be supported at the same time. 21: An attempt was made to enable the Safety Integrated functions although these cannot be supported by the connected Power Module. See also: p0970 (Reset drive parameters), p3900 (Completion of quick commissioning), r9771 (SI common functions (processor 1)), r9871 (SI common functions (processor 2))
Remedy:	For fault value = 1: - set the Safety Integrated password (p9761). For fault value = 2: - Inhibit Safety Integrated (p9501, p9601) or reset safety parameters (p0970 = 5), then reset the drive parameters again. For fault value = 3: - end the simulation mode for the digital input (p0795). Re fault value = 10, 14, 15, 18, 20: - check whether there are faults in the safety function alignment (F01655, F30655) and if required, carry out diagnostics for the faults involved. - use a Control Unit that supports the required function. For fault value = 21: - use a Power Module that supports the Safety Integrated functions. Note: STO: Safe Torque Off See also: p9601 (SI enable, functions integrated in the drive (processor 1)), p9761 (SI password input), p9801 (SI enable, functions integrated in the drive (processor 2))
F01660	SI P1: Safety-related functions not supported
Reaction:	OFF2
Acknowledge:	IMMEDIATELY (POWER ON)
Cause:	The Power Module does not support the safety-related functions. Safety Integrated cannot be commissioned. Note: This fault does not result in a safety stop response.
Remedy:	- use a Power Module that supports the safety-related functions.
F01662	Error internal communications
Reaction:	OFF2
Acknowledge:	POWER ON
Cause:	A module-internal communication error has occurred. Fault value (r0949, interpret hexadecimal): Only for internal Siemens troubleshooting.
Remedy:	- carry out a POWER ON (power off/on). - upgrade firmware to later version. - contact the Hotline.

F01663 **SI P1: Copying the SI parameters rejected**

Reaction: OFF2

Acknowledge: IMMEDIATELY (POWER ON)

Cause: One of the following values is saved in p9700 or was entered offline: 87 or 208.
 This is the reason that when booting, an attempt is made to copy SI parameters from processor 1 to processor 2.
 However, no safety-relevant function has been selected on processor 1 (p9501 = 0, p9601 = 0). This is the reason that copying is not possible.

Note:
 This fault does not result in a safety stop response.
 See also: p9700 (SI copy function)

Remedy: - Set p9700 to 0.
 - Check p9501 and/or p9601 and if required, correct.
 - Restart the copying function by entering the corresponding value into p9700.

F01665 **SI P1: System is defective**

Reaction: OFF2

Acknowledge: IMMEDIATELY

Cause: A system defect was detected before the last boot or in the actual one. The system might have been rebooted (reset).
 Fault value (r0949, interpret hexadecimal):
 200000 hex, 400000 hex, 8000yy hex (yy any):
 - Fault in the actual booting/operation.
 800004 hex:
 - Parameters p9500/p9300 are, under certain circumstances, not the same. In addition, Safety message C01711/C30711 is displayed.
 Additional values:
 - defect before the last time that the system booted.

Remedy: - carry out a POWER ON (power off/on).
 - upgrade firmware to later version.
 - contact the Hotline.
 Re fault value = 200000 hex, 400000 hex, 8000yy hex (yy any):
 - ensure that the Control Unit is connected to the Power Module.
 Re fault value = 800004 hex:
 - Check that parameters p9500/p9300 are the same.

A01669 (F, N) **SI Motion: Unfavorable combination of motor and power unit**

Reaction: NONE

Acknowledge: NONE

Cause: The combination of motor and power unit used is not suitable for using safe motion monitoring functions without an encoder.
 Alarm value (r2124, interpret decimal):
 Number of the motor data set, which caused the fault.

Remedy: Use a suitable power unit with a lower power rating or a motor with a higher power rating.

A01698 (F) **SI P1: Commissioning mode active**

Reaction: NONE

Acknowledge: NONE

Cause: The commissioning of the "Safety Integrated" function is selected.
 This message is withdrawn after the safety functions have been commissioned.

Note:
 This message does not result in a safety stop response.
 See also: p0010 (Drive commissioning parameter filter)

Remedy: Not necessary.

A01699 (F)	SI P1: Shutdown path must be tested
Reaction:	NONE
Acknowledge:	NONE
Cause:	The time set in p9659 for the forced checking procedure of the safety shutdown paths has been exceeded. The safety shutdown paths must be re-tested. After the next time the "STO" function is de-selected, the message is withdrawn and the monitoring time is reset. Note: This message does not result in a safety stop response. See also: p9659 (SI forced checking procedure timer)
Remedy:	Select STO and then de-select again. Note: STO: Safe Torque Off

A01900 (F)	PROFIBUS: Configuration telegram error
Reaction:	NONE
Acknowledge:	NONE
Cause:	A PROFIBUS master attempts to establish a connection using an incorrect configuring telegram. Alarm value (r2124, interpret decimal): 2: Too many PZD data words for output or input. The number of possible PZD is specified by the number of indices in r2050/p2051. 3: Uneven number of bytes for input or output. 501: PROFIsafe parameter error (e.g. F_dest).
Remedy:	Check the bus configuration on the master and slave sides. Re alarm value = 2: Check the number of data words for output and input. Re alarm value = 501: Check the set PROFIsafe address (p9610).

F01910 (N, A)	Fieldbus interface setpoint timeout
Reaction:	OFF3 (IASC/DCBRAKE, NONE, OFF1, OFF2, STOP2)
Acknowledge:	IMMEDIATELY
Cause:	The reception of setpoints from the fieldbus interface has been interrupted. - bus connection interrupted. - communication partner switched off. For PROFIBUS: - PROFIBUS master set into the STOP state. See also: p2040 (Fieldbus interface monitoring time), p2047 (PROFIBUS additional monitoring time)
Remedy:	Ensure bus connection has been established and switch on communication peer. - if required, adapt p2040. For PROFIBUS: - set the PROFIBUS master to the RUN state. - slave redundancy: For operation on a Y link, it must be ensured that "DP alarm mode = DPV1" is set in the slave parameterization. See also: p2040 (Fieldbus interface monitoring time), p2047 (PROFIBUS additional monitoring time)

A01920 (F)	PROFIBUS: Interruption cyclic connection
Reaction:	NONE
Acknowledge:	NONE
Cause:	The cyclic connection to the PROFIBUS master is interrupted.
Remedy:	Establish the PROFIBUS connection and activate the PROFIBUS master in the cyclic mode.

A01945	PROFIBUS: Connection to the Publisher failed
Reaction:	NONE
Acknowledge:	NONE
Cause:	For PROFIBUS peer-to-peer data transfer, the connection to at least one Publisher has failed. Alarm value (r2124, binary interpretation): Bit 0 = 1: Publisher with address in r2077[0], connection failed. ... Bit 15 = 1: Publisher with address in r2077[15], connection failed.
Remedy:	Check the PROFIBUS cables. See also: r2077 (PROFIBUS diagnostics peer-to-peer data transfer addresses)
F01946 (A)	PROFIBUS: Connection to the Publisher aborted
Reaction:	OFF1 (NONE, OFF2, OFF3)
Acknowledge:	IMMEDIATELY (POWER ON)
Cause:	The connection to at least one Publisher for PROFIBUS peer-to-peer data transfer in cyclic operation has been aborted. Fault value (r0949, interpret binary): Bit 0 = 1: Publisher with address in r2077[0], connection aborted. ... Bit 15 = 1: Publisher with address in r2077[15], connection aborted.
Remedy:	- check the PROFIBUS cables. - check the state of the Publisher that has the aborted connection. See also: r2077 (PROFIBUS diagnostics peer-to-peer data transfer addresses)
F01951	CU SYNC: Synchronization application clock cycle missing
Reaction:	OFF2 (NONE)
Acknowledge:	IMMEDIATELY (POWER ON)
Cause:	Internal synchronization of the application cycles unsuccessful. Fault value (r0949, decimal interpretation): Only for internal Siemens troubleshooting.
Remedy:	- carry out a POWER ON (power off/on) for all components. - upgrade the Control Unit software.
A01953	CU SYNC: Synchronization not completed
Reaction:	NONE
Acknowledge:	NONE
Cause:	After the drive system was powered up, synchronization between the basic clock cycle and application clock cycle was started but was not completed within the selected time tolerance. Alarm value (r2124, interpret decimal): Only for internal Siemens troubleshooting.
Remedy:	Carry out a POWER ON (power off/on).
F02080	Trace: Parameterization deleted due to unit changeover
Reaction:	NONE
Acknowledge:	IMMEDIATELY
Cause:	The trace parameterization in the drive unit was deleted due to a unit changeover or a change in the reference parameters.
Remedy:	Restart trace.

A02150	OA: Application cannot be loaded
Reaction:	NONE
Acknowledge:	NONE
Cause:	The system was not able to load an OA application. Alarm value (r2124, interpret hexadecimal): Only for internal Siemens troubleshooting.
Remedy:	- carry out a POWER ON (power off/on) for all components. - upgrade firmware to later version. - contact the Hotline. Note: OA: Open Architecture

F02151 (A)	OA: Internal software error
Reaction:	OFF2 (NONE, OFF1, OFF3)
Acknowledge:	IMMEDIATELY (POWER ON)
Cause:	An internal software error has occurred within an OA application. Fault value (r0949, interpret hexadecimal): Only for internal Siemens troubleshooting.
Remedy:	- carry out a POWER ON (power off/on) for all components. - upgrade firmware to later version. - contact the Hotline. - replace the Control Unit. Note: OA: Open Architecture

F02152 (A)	OA: Insufficient memory
Reaction:	OFF1
Acknowledge:	IMMEDIATELY (POWER ON)
Cause:	Too many functions have been configured on this Control Unit (e.g. too many drives, function modules, data sets, OA applications, blocks, etc). Fault value (r0949, decimal interpretation): Only for internal Siemens troubleshooting.
Remedy:	- change the configuration on this Control Unit (e.g. fewer drives, function modules, data sets, OA applications, blocks, etc). - use an additional Control Unit. Note: OA: Open Architecture

F03000	NVRAM fault on action
Reaction:	NONE
Acknowledge:	IMMEDIATELY
Cause:	A fault occurred during execution of action p7770 = 1, 2 for the NVRAM data. Fault value (r0949, interpret hexadecimal): yyxx hex: yy = fault cause, xx = application ID yy = 1: The action p7770 = 1 is not supported by this version if Drive Control Chart (DCC) is activated for the drive object concerned. yy = 2: The data length of the specified application is not the same in the NVRAM and the backup. yy = 3: The data checksum in p7774 is not correct. yy = 4: No data available to load.
Remedy:	Perform the remedy according to the results of the troubleshooting. If necessary, start the action again.

F03001	NVRAM checksum incorrect
Reaction:	NONE
Acknowledge:	IMMEDIATELY
Cause:	A checksum error occurred when evaluating the non-volatile data (NVRAM) on the Control Unit. The NVRAM data affected was deleted.
Remedy:	POWER ON all components (switch the power off and then back on again).
F03505 (N, A)	CU: Analog input wire breakage
Reaction:	OFF1 (NONE, OFF2)
Acknowledge:	IMMEDIATELY (POWER ON)
Cause:	The input current of the analog input has undershot the threshold value parameterized in p0761[0...3]. This fault only occurs when p0756[0...1] = 1 (2 ... 10 V with monitoring) or p0756[0...2] = 3 (4 ... 20 mA with monitoring) is set. p0756[0]: Analog input 0 p0756[1]: Analog input 1 p0756[2]: Analog input 2 Fault value (r0949, decimal interpretation): The component number (p0151) of the component involved is specified at the units, tens and hundreds digit. The thousands digit specifies the relevant analog input: 0: analog input 0 (AI 0), 1: analog input 1 (AI 1), 2: analog input 2 (AI 2)
Remedy:	Check the connection to the signal source for interruptions. Check the magnitude of the injected current - it is possible that the infed signal is too low. The input current measured by the analog input can be read in r0752[x].
A03510 (F, N)	CU: Calibration data not plausible
Reaction:	NONE
Acknowledge:	NONE
Cause:	During booting, the calibration data for the analog inputs is read and checked with respect to plausibility. At least one calibration data point was determined to be invalid.
Remedy:	- power down/power up the power supply for the Control Unit. If it reoccurs, replace the module. In principle, operation could continue. The analog channel involved possibly does not achieve the specified accuracy.
A05000 (N)	Power unit: Overtemperature heat sink AC inverter
Reaction:	NONE
Acknowledge:	NONE
Cause:	The alarm threshold for overtemperature at the inverter heat sink has been reached. The response is set using p0290. If the temperature of the heat sink increases by an additional 5 K, then fault F30004 is initiated.
Remedy:	Check the following: - is the ambient temperature within the defined limit values? - have the load conditions and the load duty cycle been appropriately dimensioned? - has the cooling failed?
A05001 (N)	Power unit: Overtemperature depletion layer chip
Reaction:	NONE
Acknowledge:	NONE
Cause:	Alarm threshold for overtemperature of the power semiconductor in the AC converter has been reached. Note: - The response is set using p0290. - If the depletion layer temperature increases by an additional 15 K, then fault F30025 is triggered.
Remedy:	Check the following: - is the ambient temperature within the defined limit values? - have the load conditions and the load duty cycle been appropriately dimensioned? - has the cooling failed? - pulse frequency too high? See also: r0037 (Power unit temperatures), p0290 (Power unit overload response)

A05002 (N)	Power unit: Air intake overtemperature
Reaction:	NONE
Acknowledge:	NONE
Cause:	For chassis power units, the following applies: The alarm threshold for the air intake overtemperature has been reached. For air-cooled power units, the threshold is 42 °C (hysteresis 2 K). The response is set using p0290. If the air intake temperature increases by an additional 13 K, then fault F30035 is output.
Remedy:	Check the following: - is the ambient temperature within the defined limit values? - has the fan failed? Check the direction of rotation.

A05004 (N)	Power unit: Rectifier overtemperature
Reaction:	NONE
Acknowledge:	NONE
Cause:	The alarm threshold for the overtemperature of the rectifier has been reached. The response is set using p0290. If the temperature of the rectifier increases by an additional 5 K, then fault F30037 is triggered.
Remedy:	Check the following: - is the ambient temperature within the defined limit values? - have the load conditions and the load duty cycle been appropriately dimensioned? - has the fan failed? Check the direction of rotation. - has a phase of the line supply failed? - is an arm of the supply (incoming) rectifier defective?

A05006 (N)	Power unit: Overtemperature thermal model
Reaction:	NONE
Acknowledge:	NONE
Cause:	The temperature difference between the chip and heat sink has exceeded the permissible limit value (blocksize power units only). Depending on p0290, an appropriate overload response is initiated. See also: r0037 (Power unit temperatures)
Remedy:	Not necessary. The alarm disappears automatically once the limit value is undershot. Note: If the alarm does not disappear automatically and the temperature continues to rise, this can result in fault F30024. See also: p0290 (Power unit overload response)

F06310 (A)	Supply voltage (p0210) incorrectly parameterized
Reaction:	NONE (OFF1, OFF2)
Acknowledge:	IMMEDIATELY (POWER ON)
Cause:	The measured DC voltage lies outside the tolerance range after pre-charging has been completed: $1.16 * p0210 < r0070 < 1.6 * p0210$. The fault can only be acknowledged when the drive is powered down. See also: p0210 (Drive unit line supply voltage)
Remedy:	- check the parameterized supply voltage and if required change (p0210). - check the line supply voltage. See also: p0210 (Drive unit line supply voltage)

A06921 (N)	Braking resistor phase unsymmetry
Reaction:	NONE
Acknowledge:	NONE
Cause:	The three resistors of the braking chopper are not symmetrical.
Remedy:	- check the feeder cables to the braking resistors. - increase p1364.

F06922	Braking resistor phase failure
Reaction:	NONE
Acknowledge:	IMMEDIATELY
Cause:	Phase failure of a braking resistor detected. Fault values: 11 = phase U 12 = phase V 13 = phase W
Remedy:	Check the feeder cables to the braking resistors.
F07011	Drive: Motor overtemperature
Reaction:	OFF2 (NONE, OFF1, OFF3, STOP2)
Acknowledge:	IMMEDIATELY
Cause:	KTY: The motor temperature has exceeded the fault threshold (p0605). The response parameterized in p0610 becomes active. PTC or bimetallic NC contact: The response threshold of 1650 Ohm was exceeded or the NC contact opened. The response parameterized in p0610 becomes active. Possible causes: - Motor is overloaded - motor ambient temperature too high. - Wire break or sensor not connected Fault value (r0949, decimal interpretation): See also: p0604 (Motor temperature alarm threshold), p0605 (Motor temperature fault threshold), p0610 (Motor overtemperature response)
Remedy:	- Reduce the motor load. - check the ambient temperature and the motor ventilation. - check the wiring and the connection of the PTC or bimetallic NC contact. See also: p0604 (Motor temperature alarm threshold), p0605 (Motor temperature fault threshold)
A07012 (N)	Drive: I2t motor model overtemperature
Reaction:	NONE
Acknowledge:	NONE
Cause:	The thermal I2t motor model (for synchronous motors) identified that the temperature alarm threshold was exceeded. See also: r0034 (Motor utilization), p0605 (Motor temperature fault threshold), p0611 (I2t motor model thermal time constant)
Remedy:	- check the motor load and if required, reduce. - check the motor ambient temperature. - check the thermal time constant p0611. - check the overtemperature fault threshold p0605 (= alarm threshold for the I2t motor model).
A07015	Drive: Motor temperature sensor alarm
Reaction:	NONE
Acknowledge:	NONE
Cause:	An error was detected when evaluating the temperature sensor set in p0601. A timer is started with the error. If the fault is still present after this time has expired, then fault F07016 is output; however, at the earliest, 0.2 s after alarm A07015. Possible causes: - wire breakage or sensor not connected (KTY: R > 2120 Ohm). - measured resistance too low (PTC: R < 20 Ohm, KTY: R < 50 Ohm).
Remedy:	- make sure that the sensor is connected correctly. - check the parameterization (p0601). See also: r0035 (Motor temperature), p0601 (Motor temperature sensor type)

F07016	Drive: Motor temperature sensor fault
Reaction:	OFF1 (NONE, OFF2, OFF3, STOP2)
Acknowledge:	IMMEDIATELY
Cause:	An error was detected when evaluating the temperature sensor set in p0601. Possible causes: - wire breakage or sensor not connected (KTY: R > 2120 Ohm). - measured resistance too low (PTC: R < 20 Ohm, KTY: R < 50 Ohm). Note: If alarm A07015 is present, a timer is started. If the fault is still present after this time has expired, then fault F07016 is output; however, at the earliest, 0.2 s after alarm A07015.
Remedy:	- make sure that the sensor is connected correctly. - check the parameterization (p0601). See also: r0035 (Motor temperature), p0601 (Motor temperature sensor type)
F07080	Drive: Incorrect control parameter
Reaction:	NONE
Acknowledge:	IMMEDIATELY (POWER ON)
Cause:	The closed-loop control parameters have been parameterized incorrectly (e.g. p0356 = L_spread = 0). Fault value (r0949, decimal interpretation): The fault value includes the parameter number involved. The following parameter numbers only occur as fault values for vector drives: p0310, for synchronous motors: p0341, p0344, p0350, p0357 The following parameter numbers do not occur as fault values for synchronous motors: p0354, p0358, p0360 See also: p0310, p0311, p0341, p0344, p0350, p0354, p0356, p0357, p0358, p0360, p0640, p1082, p1300
Remedy:	Modify the parameter indicated in the fault value (r0949) (e.g. p0640 = current limit > 0). See also: p0311, p0341, p0344, p0350, p0354, p0356, p0358, p0360, p0640, p1082
F07082	Macro: Execution not possible
Reaction:	NONE
Acknowledge:	IMMEDIATELY
Cause:	The macro cannot be executed. Fault value (r0949, interpret hexadecimal): ccccbbaa hex: cccc = preliminary parameter number, bb = supplementary information, aa = fault cause Fault causes for the trigger parameter itself: 19: Called file is not valid for the trigger parameter. 20: Called file is not valid for parameter 15. 21: Called file is not valid for parameter 700. 22: Called file is not valid for parameter 1000. 23: Called file is not valid for parameter 1500. 24: Data type of a TAG is incorrect (e.g. Index, number or bit is not U16). Fault causes for the parameters to be set: 25: Error level has an undefined value. 26: Mode has an undefined value. 27: A value was entered as string in the tag value that is not "DEFAULT". 31: Entered drive object type unknown. 32: A device was not able to be found for the determined drive object number. 34: A trigger parameter was recursively called. 35: It is not permissible to write to the parameter via macro. 36: Check, writing to a parameter unsuccessful, parameter can only be read, not available, incorrect data type, value range or assignment incorrect. 37: Source parameter for a BICO interconnection was not able to be determined. 38: An index was set for a non-indexed (or CDS-dependent) parameter. 39: No index was set for an indexed parameter. 41: A bit operation is only permissible for parameters with the parameter format DISPLAY_BIN. 42: A value not equal to 0 or 1 was set for a BitOperation. 43: Reading the parameter to be changed by the BitOperation was unsuccessful. 51: Factory setting for DEVICE may only be executed on the DEVICE. 61: The setting of a value was unsuccessful.
Remedy:	- check the parameter involved. - check the macro file and BICO interconnection. See also: p0015, p0700, p1000

F07083	Macro: ACX file not found
Reaction:	NONE
Acknowledge:	IMMEDIATELY
Cause:	The ACX file (macro) to be executed was not able to be found in the appropriate directory. Fault value (r0949, decimal interpretation): Parameter number with which the execution was started. See also: p0015, p0700, p1000
Remedy:	- check whether the file is saved in the appropriate directory on the memory card.
F07084	Macro: Condition for WaitUntil not fulfilled
Reaction:	NONE
Acknowledge:	IMMEDIATELY
Cause:	The WaitUntil condition set in the macro was not fulfilled in a certain number of attempts. Fault value (r0949, decimal interpretation): Parameter number for which the condition was set.
Remedy:	Check and correct the conditions for the WaitUntil loop.
F07086	Units changeover: Parameter limit violation due to reference value change
Reaction:	NONE
Acknowledge:	IMMEDIATELY
Cause:	A reference parameter was changed in the system. This resulted in the fact that for the parameters involved, the selected value was not able to be written in the per unit representation (cause: e.g. the steady-state minimum/maximum limit or that defined in the application was violated). The values of the parameters were set to the corresponding violated minimum/maximum limit or to the factory setting. Fault value (r0949, parameter): Diagnostics parameter to display the parameters that were not able to be re-calculated. See also: p0304, p0305, p0310, p0596, p2000, p2001, p2002, p2003, r2004
Remedy:	Check the adapted parameter value and if required correct.
F07088	Units changeover: Parameter limit violation due to units changeover
Reaction:	NONE
Acknowledge:	IMMEDIATELY
Cause:	A changeover of units was initiated. Possible causes for the violation of a parameter limit are: - when rounding off a parameter corresponding to its decimal places, the steady-state minimum or maximum limit was violated. - inaccuracies for the data type "FloatingPoint". In these cases, when the minimum limit is violated then the parameter value is rounded up and when the maximum limited is violated the parameter value is rounded down. Fault value (r0949, decimal interpretation): Diagnostics parameter to display all parameters whose value had to be adapted. See also: p0100 (IEC/NEMA mot stds), p0505 (Selecting the system of units), p0595 (Selecting technological units)
Remedy:	Check the adapted parameter values and if required correct.
A07089	Changing over units: Function module activation is blocked because the units have been changed over
Reaction:	NONE
Acknowledge:	NONE
Cause:	An attempt was made to activate a function module. This is not permissible if the units have already been changed over. See also: p0100 (IEC/NEMA mot stds), p0505 (Selecting the system of units)
Remedy:	Restore units that have been changed over to the factory setting.

A07200	Drive: Master control ON command present
Reaction:	NONE
Acknowledge:	NONE
Cause:	The ON/1 command is present (no 0 signal). The command is either influenced via binector input p0840 (current CDS) or control word bit 0 via the master control.
Remedy:	Switch the signal via binector input p0840 (aktueller CDS) or control word bit 0 via the master control to 0.
F07220 (N, A)	Drive: Master control by PLC missing
Reaction:	OFF1 (NONE, OFF2, OFF3, STOP2)
Acknowledge:	IMMEDIATELY
Cause:	The "master control by PLC" signal was missing in operation. - interconnection of the binector input for "master control by PLC" is incorrect (p0854). - the higher-level control has withdrawn the "master control by PLC" signal. - data transfer via the fieldbus (master/drive) was interrupted.
Remedy:	- check the interconnection of the binector input for "master control by PLC" (p0854). - check the "master control by PLC" signal and, if required, switch in. - check the data transfer via the fieldbus (master/drive). Note: If the drive should continue to operate after withdrawing "master control by PLC" then fault response must be parameterized to NONE or the message type should be parameterized as alarm.
F07320	Drive: Automatic restart interrupted
Reaction:	OFF2
Acknowledge:	IMMEDIATELY
Cause:	- The specified number of restart attempts (p1211) has been completely used up because within the monitoring time (p1213) the faults were not able to be acknowledged. The number of restart attempts (p1211) is decremented at each new start attempt. - there is no active ON command. - the monitoring time for the power unit has expired. - when exiting commissioning or at the end of the motor identification routine or the speed controller optimization, the drive unit is not automatically powered up again. Fault value (r0949, interpret hexadecimal): Only for internal Siemens troubleshooting.
Remedy:	- increase the number of restart attempts (p1211). - increase the delay time in p1212 and/or the monitoring time in p1213. - issue an ON command (p0840). - Reduce the delay time for resetting the start counter p1213[1] so that fewer faults are registered in the time interval.
A07321	Drive: Automatic restart active
Reaction:	NONE
Acknowledge:	NONE
Cause:	The automatic restart (AR) is active. When the line supply returns and/or the causes of the existing faults are removed the drive is automatically restarted. The pulses are enabled and the motor starts to rotate. For p1210 = 26, the alarm after the line supply returns is also displayed if there is no fault and there is no ON command. Restarting is realized with the delayed setting of the ON command.
Remedy:	- the automatic restart (AR) should, if required, be inhibited (p1210 = 0). - an automatic restart can be directly interrupted by withdrawing the power-on command (BI: p0840). - for p1210 = 26: by withdrawing the OFF2- / OFF3 control commands.
F07330	Flying restart: Measured search current too low
Reaction:	OFF2 (NONE, OFF1)
Acknowledge:	IMMEDIATELY
Cause:	During a flying restart, it was identified that the search current reached is too low. It is possible that the motor is not connected.
Remedy:	Check the motor feeder cables.

F07331	Flying restart: Function not supported
Reaction:	OFF2 (NONE, OFF1)
Acknowledge:	IMMEDIATELY
Cause:	It is not possible to power up with the motor rotating (no flying restart). In the following cases, the "flying restart" function is not supported: Perm.-magnet synch. motors (PEM): operation with U/f char. and sensorless vector control.
Remedy:	Cancel the "flying restart" function (p1200 = 0).
A07400 (N)	Drive: DC link voltage maximum controller active
Reaction:	NONE
Acknowledge:	NONE
Cause:	The DC link voltage controller has been activated because the upper switch-in threshold has been exceeded (r1242, r1282). The ramp-down times are automatically increased in order to maintain the DC link voltage (r0070) within the permissible limits. There is a system deviation between the setpoint and actual speeds. When the DC link voltage controller is switched out (disabled), this is the reason that the ramp-function generator output is set to the speed actual value. See also: r0056 (Status word, closed-loop control), p1240 (Vdc controller or Vdc monitoring configuration (vector control)), p1280 (Vdc controller or Vdc monitoring configuration (U/f))
Remedy:	If the controller is not to intervene: - increase the ramp-down times. - switch-off the Vdc_max controller (p1240 = 0 for vector control, p1280 = 0 for U/f control). If the ramp-down times are not to be changed: - use a chopper or regenerative feedback unit.
A07401 (N)	Drive: DC link voltage maximum controller de-activated
Reaction:	NONE
Acknowledge:	NONE
Cause:	The Vdc_max controller can no longer maintain the DC link voltage (r0070) below the limit value (r1242, r1282) and was therefore switched out (disabled). - the line supply voltage is permanently higher than specified for the power unit. - the motor is permanently in the regenerative mode as a result of a load that is driving the motor.
Remedy:	- check whether the input voltage is within the permissible range. - check whether the load duty cycle and load limits are within the permissible limits.
A07402 (N)	Drive: DC link voltage minimum controller active
Reaction:	NONE
Acknowledge:	NONE
Cause:	The DC link voltage controller has been activated as the lower switch-in threshold has been undershot (r1246, r1286). The kinetic energy of the motor is used to buffer the DC link. The drive is therefore braked. See also: r0056 (Status word, closed-loop control), p1240 (Vdc controller or Vdc monitoring configuration (vector control)), p1280 (Vdc controller or Vdc monitoring configuration (U/f))
Remedy:	The alarm disappears when power supply returns.
F07405 (N, A)	Drive: Kinetic buffering minimum speed not reached
Reaction:	OFF2 (IASC/DCBRAKE, NONE, OFF1, OFF3, STOP2)
Acknowledge:	IMMEDIATELY
Cause:	During kinetic buffering the speed fell below minimum speed (p1257 or p1297 for vector drives with U/f control) and the line supply did not return.
Remedy:	Check the speed threshold for the Vdc_min controller (kinetic buffering) (p1257, p1297). See also: p1257 (Vdc_min controller speed threshold)

F07406 (N, A)	Drive: Kinetic buffering maximum time exceeded
Reaction:	OFF3 (IASC/DCBRAKE, NONE, OFF1, OFF2, STOP2)
Acknowledge:	IMMEDIATELY
Cause:	The maximum buffer time (p1255 and p1295 for vector drives with U/f control) has been exceeded without the line supply having returned.
Remedy:	Check the time threshold for Vdc-min controller (kinetic buffering) (p1255, p1295). See also: p1255 (Vdc_min controller time threshold)
A07409	Drive: U/f control, current limiting controller active
Reaction:	NONE
Acknowledge:	NONE
Cause:	The current limiting controller of the U/f control was activated because the current limit was exceeded.
Remedy:	The alarm automatically disappears after one of the following measures: - increase current limit (p0640). - reduce the load. - slow down the ramp up to the setpoint speed.
F07410	Drive: Current controller output limited
Reaction:	OFF2 (NONE, OFF1)
Acknowledge:	IMMEDIATELY
Cause:	The condition " $I_{act} = 0$ and $U_{q_set_1}$ longer than 16 ms at its limit" is present and can be caused by the following: - motor not connected or motor contactor open. - motor data and motor configuration (star-delta) do not match. - no DC link voltage present. - power unit defective. - the "flying restart" function is not activated.
Remedy:	- connect the motor or check the motor contactor. - check the motor parameterization and the connection type (star-delta). - check the DC link voltage (r0070). - check the power unit. - activate the "flying restart" function (p1200).
F07426 (A)	Technology controller actual value limited
Reaction:	OFF1 (IASC/DCBRAKE, NONE, OFF2, OFF3)
Acknowledge:	IMMEDIATELY
Cause:	The actual value for the technology controller, interconnected via connector input p2264, has reached a limit. Fault value (r0949, decimal interpretation): 1: upper limit reached. 2: lower limit reached.
Remedy:	- adapt the limits to the signal level (p2267, p2268). - check the scaling of the actual value (p2264). See also: p2264 (Technology controller actual value), p2267 (Technology controller upper limit actual value), p2268 (Technology controller lower limit actual value)
F07435 (N)	Drive: Setting the ramp-function generator for sensorless vector control
Reaction:	OFF2 (IASC/DCBRAKE, NONE, OFF1, OFF3)
Acknowledge:	IMMEDIATELY
Cause:	During operation with sensorless vector control (r1407.1) the ramp-function generator was stopped (p1141). An internal setting command of the ramp-function generator output caused the set setpoint speed to be frozen.
Remedy:	- de-activate the holding command for the ramp-function generator (p1141). - suppress the fault (p2101, p2119). This is necessary if the ramp-function generator is held using jogging and the speed setpoint is simultaneously inhibited (r0898.6).

F07439	Drive: Higher current controller dynamic performance not possible
Reaction:	OFF2 (NONE)
Acknowledge:	IMMEDIATELY
Cause:	The function "Current controller dynamics higher" (p1810.11 = 1) is selected, however is not supported by the power unit (r0192.27 = 0) or by the safety technology without encoder (9506 = 1). Fault value (r0949, decimal interpretation): 1: - firmware of the booksize power unit is not up-to-date. - blocksize or S120 combi power unit was used. 2: - a sine-cosine encoder with encoderless safety technology is used.
Remedy:	In general: - Deselect the function "Current controller dynamics higher" (p1810.11 = 0) and if required, set the current, speed and position controller again or calculate (p0340 = 4). For fault value = 1: - If necessary, upgrade the firmware of the booksize power unit to a later version (version >= 4.4). - Use a booksize power unit (version >= 4.4). For fault value = 2: - Re-parameterize encoderless safety technology (9506 = 1) to safety technology with an encoder (p9506 = 0).
A07530	Drive: Drive Data Set DDS not present
Reaction:	NONE
Acknowledge:	NONE
Cause:	The selected drive data set is not available. The drive data set was not changed over. See also: p0180 (Number of Drive Data Sets (DDS))
Remedy:	- select the existing drive data set. - set up additional drive data sets.
A07531	Drive: Command Data Set CDS not present
Reaction:	NONE
Acknowledge:	NONE
Cause:	The selected command data set is not available (p0836 > p0170). The command data set was not changed over. See also: p0810 (Command data set selection CDS bit 0), r0836 (Command Data Set CDS selected)
Remedy:	- select the existing command data set. - set up additional command data sets.
F07800	Drive: No power unit present
Reaction:	NONE
Acknowledge:	IMMEDIATELY
Cause:	The power unit parameters cannot be read or no parameters are stored in the power unit. Connection between Control Unit and power unit was interrupted or is defective. Note: This fault also occurs if an incorrect topology was selected in the commissioning software and this parameterization is then downloaded to the Control Unit.
Remedy:	- connect the data line to power unit and restart the CU (POWER ON). - check or replace the CU. - Check the cable between the CU and power unit. - after correcting the topology, the parameters must be again downloaded using the commissioning software.

F07801	Drive: Motor overcurrent
Reaction:	OFF2 (NONE, OFF1, OFF3)
Acknowledge:	IMMEDIATELY
Cause:	The permissible motor limit current was exceeded. <ul style="list-style-type: none"> - effective current limit set too low. - current controller not correctly set. - U/f operation: Up ramp was set too short or the load is too high. - U/f operation: Short-circuit in the motor cable or ground fault. - U/f operation: Motor current does not match current of power unit. - Switch to rotating motor without flying restart function (p1200).
	Note: Limit current = 2 x minimum (p0640, 4 x p0305 x p0306) >= 2 x p0305 x p0306
Remedy:	<ul style="list-style-type: none"> - check the current limits (p0640). - U/f control: Check the current limiting controller (p1340 ... p1346). - increase the up ramp (p1120) or reduce the load. - check the motor and motor cables for short-circuit and ground fault. - check the motor for the star-delta configuration and rating plate parameterization. - check the power unit and motor combination. - Choose "flying restart" function (p1200) if switched to rotating motor.

F07802	Drive: Infeed or power unit not ready
Reaction:	OFF2 (NONE)
Acknowledge:	IMMEDIATELY
Cause:	After an internal power-on command, the infeed or drive does not signal ready. <ul style="list-style-type: none"> - monitoring time is too short. - DC link voltage is not present. - associated infeed or drive of the signaling component is defective. - supply voltage incorrectly set.
Remedy:	<ul style="list-style-type: none"> - ensure that there is a DC link voltage. Check the DC link busbar. Enable the infeed. - replace the associated infeed or drive of the signaling component. - check the line supply voltage setting (p0210).

A07805 (N)	Drive: Power unit overload I2t
Reaction:	NONE
Acknowledge:	NONE
Cause:	Alarm threshold for I2t overload of the power unit exceeded. The response parameterized in p0290 becomes active. See also: p0290 (Power unit overload response)
Remedy:	<ul style="list-style-type: none"> - reduce the continuous load. - adapt the load duty cycle. - check the assignment of the motor and power unit rated currents.

F07806	Drive: Regenerative power limit exceeded (F3E)
Reaction:	OFF2 (IASC/DCBRAKE)
Acknowledge:	IMMEDIATELY
Cause:	For blocksize power units, types PM250 and PM260, the regenerative rated power r0206[2] was exceeded for more than 10 s. See also: r0206 (Rated power unit power), p1531 (Power limit regenerative)
Remedy:	<ul style="list-style-type: none"> - increase the down ramp. - reduce the driving load. - use a power unit with a higher regenerative feedback capability. - for vector control, the regenerative power limit in p1531 can be reduced so that the fault is no longer triggered.

F07807	Drive: Short-circuit detected
Reaction:	OFF2 (NONE)
Acknowledge:	IMMEDIATELY
Cause:	A phase-phase short-circuit was detected at the motor-side output terminals of the converter. Note: Also when interchanging the line and motor cables is identified as a motor-side short circuit.
Remedy:	- check the motor-side converter connection for a phase-phase short-circuit. - rule-out interchanged line and motor cables.
F07808 (A)	HF damping module: damping not ready
Reaction:	OFF2 (NONE, OFF1, OFF3)
Acknowledge:	IMMEDIATELY
F07810	Drive: Power unit EEPROM without rated data
Reaction:	NONE
Acknowledge:	IMMEDIATELY
Cause:	No rated data are stored in the power unit EEPROM. See also: p0205 (Power unit application), r0206 (Rated power unit power), r0207 (Rated power unit current), r0208 (Rated power unit line supply voltage), r0209 (Power unit, maximum current)
Remedy:	Replace the power unit or inform Siemens Customer Service.
A07850 (F)	External alarm 1
Reaction:	NONE
Acknowledge:	NONE
Cause:	The BICO signal for "external alarm 1" was triggered. The condition for this external alarm is fulfilled. See also: p2112 (External alarm 1)
Remedy:	Eliminate the causes of this alarm.
F07860 (A)	External fault 1
Reaction:	OFF2 (IASC/DCBRAKE, NONE, OFF1, OFF3, STOP2)
Acknowledge:	IMMEDIATELY (POWER ON)
Cause:	The BICO signal "external fault 1" was triggered. See also: p2106 (External fault 1)
Remedy:	Eliminate the causes of this fault.
F07900 (N, A)	Drive: Motor blocked
Reaction:	OFF2 (NONE, OFF1, OFF3, STOP2)
Acknowledge:	IMMEDIATELY
Cause:	Motor has been operating at the torque limit at a low speed for a longer period of time and below the set speed threshold. This signal can also be triggered if the speed is oscillating and the speed controller output repeatedly goes to its limit. It may also be the case that thermal monitoring of the power unit reduces the current limit (see p0290), thereby causing the motor to decelerate.
Remedy:	- check that the motor can rotate freely. - check the torque limit: For a positive direction of rotation r1538, for a negative direction of rotation r1539.

F07901	Drive: Motor overspeed
Reaction:	OFF2 (IASC/DCBRAKE)
Acknowledge:	IMMEDIATELY
Cause:	The maximum permissible speed was either positively or negatively exceeded. The maximum permissible positive speed is formed as follows: Minimum (p1082) The maximum permissible negative speed is formed as follows: Maximum (-p1082)
Remedy:	The following applies for a positive direction of rotation: - check r1084 and if required, correct p1082. The following applies for a negative direction of rotation: - check r1087 and if required, correct p1082. Activate pre-control of the speed limiting controller (bit 7 = 1). Increase the hysteresis for the overspeed signal. This upper limit is dependent upon the maximum motor speed p0322 and the maximum speed p1082 of the setpoint channel.

F07902 (N, A)	Drive: Motor stalled
Reaction:	OFF2 (IASC/DCBRAKE, NONE, OFF1, OFF3, STOP2)
Acknowledge:	IMMEDIATELY
Cause:	For a vector drive the system has identified that the motor has stalled for a time longer than is set. Fault value (r0949, decimal interpretation): 1: Reserved. 2: Stall detection using r1408.12 (p1745).
Remedy:	Steps should always be taken to ensure that both motor data identification and the rotating measurement were carried out (see p1900, r3925). - check whether the drive stalls solely due to the load in controlled mode or when the speed setpoint is still zero. If yes, then increase the current setpoint using p1610. - if the motor excitation time (p0346) was significantly reduced and the drive stalls when it is switched on and run immediately, p0346 should be increased again. - check the current limits (p0640, r0067, r0289). If the current limits are too low, then the drive cannot be magnetized. - check whether the motor cables are disconnected (see A07929). If there is no fault, then the fault tolerance can be increased (p1745).

A07910 (N)	Drive: Motor overtemperature
Reaction:	NONE
Acknowledge:	NONE
Cause:	KTY or no sensor: The measured motor temperature or the temperature of the thermal model has exceeded the alarm threshold (p0604). The response parameterized in p0610 becomes active. PTC or bimetallic NC contact: The response threshold of 1650 Ohm was exceeded or the NC contact opened. Alarm value (r2124, interpret decimal): 11: No output current reduction. 12: Output current reduction active. See also: p0604 (Motor temperature alarm threshold), p0610 (Motor overtemperature response)
Remedy:	- check the motor load. - check the motor ambient temperature. - check KTY84. - check overtemperatures of the thermal model.

A07927	DC braking active
Reaction:	NONE
Acknowledge:	NONE
Cause:	The motor is braked with DC current. DC braking is active. 1) A message with response DCBRK is active. The motor is braked with the braking current set in p1232 for the duration set in in p1233. If the standstill threshold is fallen below, then braking is prematurely canceled. 2) DC braking has been activated at binector input p1230 with the DC braking set (p1230 = 4). Braking current p1232 is injected until this binector input becomes inactive.
Remedy:	Not necessary. The alarm automatically disappears once DC braking has been executed.

A07929 (F)	Drive: No motor detected
Reaction:	NONE
Acknowledge:	NONE
Cause:	The absolute current value is so small after enabling the inverter pulses that no motor is detected. Note: In the case of vector control and an induction motor, this alarm is followed by the fault F07902.
Remedy:	- check the motor feeder cables. - check the voltage boost of the U/f control (p1310). - carry out a standstill measurement to set the stator resistance (p0350).
F07935 (N)	Drv: Motor holding brake detected
Reaction:	NONE (OFF1, OFF2, OFF3)
Acknowledge:	IMMEDIATELY
Cause:	A motor holding brake was detected where the brake control has not been configured (p1215 = 0). Fault value (r0949, decimal interpretation): 0: The brake control configuration was set to "motor holding brake the same as sequence control" (p1215 = 1) (only when commissioning for the first time). 1: The brake control configuration was left at "No motor holding brake available" (p1215 = 0).
Remedy:	For fault value = 0: - No remedy required. For fault value = 1: - If required change the motor holding brake configuration (p1215 = 1, 2). - If this fault value unexpectedly occurs, then the motor connections should be checked in order to rule out that they have been interchanged. See also: p1215 (Motor holding brake configuration)
F07950 (A)	Motor parameter incorrect
Reaction:	NONE
Acknowledge:	IMMEDIATELY
Cause:	The motor parameters were incorrectly entered while commissioning (e.g. p0300 = 0, no motor) Fault value (r0949, decimal interpretation): Parameter number involved. See also: p0300, p0301, p0304, p0305, p0307, p0310, p0311, p0316, p0320, p0322, p0323
Remedy:	Compare the motor data with the rating plate data and if required, correct. See also: p0300, p0301, p0304, p0305, p0307, p0310, p0311, p0316, p0320, p0322, p0323
F07967	Drive: Pole position identification internal fault
Reaction:	OFF2 (NONE, OFF1)
Acknowledge:	IMMEDIATELY
Cause:	A fault has occurred during the pole position identification routine. Only for internal Siemens troubleshooting.
Remedy:	Carry out a POWER ON.

F07968 Drive: Lq-Ld measurement incorrect**Reaction:** OFF2**Acknowledge:** IMMEDIATELY

Cause: A fault has occurred during the Lq-Ld measurement.
 Fault value (r0949, decimal interpretation):
 10: Stage 1: The ratio between the measured current and zero current is too low.
 12: Stage 1: The maximum current was exceeded.
 15: Second harmonic too low.
 16: Drive converter too small for the measuring technique.
 17: Abort due to pulse inhibit.

Remedy: For fault value = 10:
 Check whether the motor is correctly connected.
 Replace the power unit involved.
 De-activate technique (p1909).
 For fault value = 12:
 Check whether motor data have been correctly entered.
 De-activate technique (p1909).
 For fault value = 16:
 De-activate technique (p1909).
 For fault value = 17:
 Repeat technique.

F07969 Drive: Incorrect pole position identification**Reaction:** OFF2**Acknowledge:** IMMEDIATELY

Cause: A fault has occurred during the pole position identification routine.
 Fault value (r0949, decimal interpretation):
 1: Current controller limited
 2: Motor shaft locked.
 10: Stage 1: The ratio between the measured current and zero current is too low.
 11: Stage 2: The ratio between the measured current and zero current is too low.
 12: Stage 1: The maximum current was exceeded.
 13: Stage 2: The maximum current was exceeded.
 14: Current difference to determine the +d axis too low.
 15: Second harmonic too low.
 16: Drive converter too small for the measuring technique.
 17: Abort due to pulse inhibit.
 18: First harmonic too low.
 20: Pole position identification requested with the motor shaft rotating and activated flying restart function.

Remedy: For fault value = 1:
 Check whether the motor is correctly connected.
 Check whether motor data have been correctly entered.
 Replace the power unit involved.
 For fault value = 2:
 Bring the motor into a no-load condition.
 For fault value = 10:
 Check whether the motor is correctly connected.
 Replace the power unit involved.
 For fault value = 11:
 Check whether the motor is correctly connected.
 Replace the power unit involved.
 For fault value = 12:
 Check whether motor data have been correctly entered.
 For fault value = 13:
 Check whether motor data have been correctly entered.
 For fault value = 17:
 Repeat technique.
 For fault value = 20:
 Before carrying out a pole position identification routine ensure that the motor shaft is absolutely stationary (zero speed).

A07980	Drive: Rotating measurement activated
Reaction:	NONE
Acknowledge:	NONE
Cause:	The rotating measurement (automatic speed controller optimization) is activated. The rotating measurement is carried out at the next power-on command. See also: p1960 (Rotating measurement selection)
Remedy:	Not necessary. The alarm disappears automatically after the speed controller optimization has been successfully completed or for the setting p1900 = 0.
A07981	Drive: Enable signals for the rotating measurement missing
Reaction:	NONE
Acknowledge:	NONE
Cause:	The rotating measurement cannot be started due to missing enable signals.
Remedy:	- acknowledge faults that are present. - establish missing enable signals. See also: r0002 (Drive operating display), r0046 (Missing enable sig)
F07983	Drive: Rotating measurement saturation characteristic
Reaction:	OFF1 (NONE, OFF2)
Acknowledge:	IMMEDIATELY
Cause:	A fault has occurred while determining the saturation characteristic. Fault value (r0949, decimal interpretation): 1: The speed did not reach a steady-state condition. 2: The rotor flux did not reach a steady-state condition. 3: The adaptation circuit did not reach a steady-state condition. 4: The adaptation circuit was not enabled. 5: Field weakening active. 6: The speed setpoint was not able to be approached as the minimum limiting is active. 7: The speed setpoint was not able to be approached as the suppression (skip) bandwidth is active. 8: The speed setpoint was not able to be approached as the maximum limiting is active. 9: Several values of the determined saturation characteristic are not plausible. 10: Saturation characteristic could not be sensibly determined because load torque too high.
Remedy:	For fault value = 1: - the total drive moment of inertia is far higher than that of the motor (p0341, p0342). De-select rotating measurement (p1960), enter the moment of inertia p0342, re-calculate the speed controller p0340 = 4 and repeat the measurement. Re fault value = 1 ... 2: - increase the measuring speed (p1961) and repeat the measurement. Re fault value = 1 ... 4: - check the motor parameters (rating plate data). After the change: Calculate p0340 = 3. - check the moment of inertia (p0341, p0342). After the change: Calculate p0340 = 3. - carry out a motor data identification routine (p1910). - if required, reduce the dynamic factor (p1967 < 25 %). For fault value = 5: - the speed setpoint (p1961) is too high. Reduce the speed. For fault value = 6: - adapt the speed setpoint (p1961) or minimum limiting (p1080). For fault value = 7: - adapt the speed setpoint (p1961) or suppression (skip) bandwidths (p1091 ... p1092, p1101). For fault value = 8: - adapt the speed setpoint (p1961) or maximum limit (p1082, p1083 and p1086). Re fault value = 9, 10: - the measurement was carried out at an operating point where the load torque is too high. Select a more suitable operating point, either by changing the speed setpoint (p1961) or by reducing the load torque. The load torque may not be varied while making measurements. Note: The saturation characteristic identification routine can be disabled using p1959.1. See also: p1959 (Rotating measurement configuration)

F07984 Drive: Speed controller optimization, moment of inertia**Reaction:** OFF1 (NONE, OFF2)**Acknowledge:** IMMEDIATELY**Cause:** A fault has occurred while identifying the moment of inertia.

Fault value (r0949, decimal interpretation):

- 1: The speed did not reach a steady-state condition.
- 2: The speed setpoint was not able to be approached as the minimum limiting is active.
- 3: The speed setpoint was not able to be approached as the suppression (skip) bandwidth is active.
- 4: The speed setpoint was not able to be approached as the maximum limiting is active.
- 5: It is not possible to increase the speed by 10% as the minimum limiting is active.
- 6: It is not possible to increase the speed by 10% as the suppression (skip) bandwidth is active.
- 7: It is not possible to increase the speed by 10% as the maximum limiting is active.
- 8: The torque difference after the speed setpoint step is too low in order to be able to still reliably identify the moment of inertia.
- 9: Too few data to be able to reliably identify the moment of inertia.
- 10: After the setpoint step, the speed either changed too little or in the incorrect direction.
- 11: The identified moment of inertia is not plausible.

Remedy:

For fault value = 1:

- check the motor parameters (rating plate data). After the change: Calculate p0340 = 3.
- check the moment of inertia (p0341, p0342). After the change: Calculate p0340 = 3.
- carry out a motor data identification routine (p1910).
- if required, reduce the dynamic factor (p1967 < 25 %).

Re fault value = 2, 5:

- adapt the speed setpoint (p1965) or adapt the minimum limit (p1080).

Re fault value = 3, 6:

- adapt the speed setpoint (p1965) or suppression (skip) bandwidths (p1091 ... p1092, p1101).

Re fault value = 4, 7:

- adapt the speed setpoint (p1965) or maximum limit (p1082, p1083 and p1086).

For fault value = 8:

- the total drive moment of inertia is far higher than that of the motor (refer to p0341, p0342). De-select rotating measurement (p1960), enter the moment of inertia p0342, re-calculate the speed controller p0340 = 4 and repeat the measurement.

For fault value = 9:

- check the moment of inertia (p0341, p0342). After the change, re-calculate (p0340 = 3 or 4).

For fault value = 10:

- check the moment of inertia (p0341, p0342). After the change: Calculate p0340 = 3.

Note:

The moment of inertia identification routine can be disabled using p1959.2.

See also: p1959 (Rotating measurement configuration)

F07985	Drive: Speed controller optimization (oscillation test)
Reaction:	OFF1 (NONE, OFF2)
Acknowledge:	IMMEDIATELY
Cause:	A fault has occurred during the vibration test. Fault value (r0949, decimal interpretation): 1: The speed did not reach a steady-state condition. 2: The speed setpoint was not able to be approached as the minimum limiting is active. 3: The speed setpoint was not able to be approached as the suppression (skip) bandwidth is active. 4: The speed setpoint was not able to be approached as the maximum limiting is active. 5: Torque limits too low for a torque step. 6: No suitable speed controller setting was found.
Remedy:	For fault value = 1: - check the motor parameters (rating plate data). After the change: Calculate p0340 = 3. - check the moment of inertia (p0341, p0342). After the change: Calculate p0340 = 3. - carry out a motor data identification routine (p1910). - if required, reduce the dynamic factor (p1967 < 25 %). For fault value = 2: - adapt the speed setpoint (p1965) or adapt the minimum limit (p1080). For fault value = 3: - adapt the speed setpoint (p1965) or suppression (skip) bandwidths (p1091 ... p1092, p1101). For fault value = 4: - adapt the speed setpoint (p1965) or maximum limit (p1082, p1083 and p1086). For fault value = 5: - increase the torque limits (e.g. p1520, p1521). For fault value = 6: - reduce the dynamic factor (p1967). - disable the vibration test (p1959.4 = 0) and repeat the rotating measurement. See also: p1959 (Rotating measurement configuration)

F07986	Drive: Rotating measurement ramp-function generator
Reaction:	OFF1 (NONE, OFF2)
Acknowledge:	IMMEDIATELY
Cause:	During the rotating measurements, problems with the ramp-function generator occurred. Fault value (r0949, decimal interpretation): 1: The positive and negative directions are inhibited.
Remedy:	For fault value = 1: Enable the direction (p1110 or p1111).

F07988	Drive: Rotating measurement, no configuration selected
Reaction:	OFF2 (NONE, OFF1)
Acknowledge:	IMMEDIATELY
Cause:	When configuring the rotating measurement (p1959), no function was selected.
Remedy:	Select at least one function for automatic optimization of the speed controller (p1959). See also: p1959 (Rotating measurement configuration)

F07990	Drive: Incorrect motor data identification
Reaction:	OFF2 (NONE, OFF1)
Acknowledge:	IMMEDIATELY
Cause:	A fault has occurred during the identification routine. Fault value (r0949, decimal interpretation): 1: Current limit value reached. 2: Identified stator resistance lies outside the expected range 0.1 ... 100% of Zn. 3: Identified rotor resistance lies outside the expected range 0.1 ... 100% of Zn. 4: Identified stator reactance lies outside the expected range 50 ... 500% of Zn. 5: Identified magnetizing reactance lies outside the expected range 50 ... 500% of Zn. 6: Identified rotor time constant lies outside the expected range 10 ms ... 5 s. 7: Identified total leakage reactance lies outside the expected range 4 ... 50% of Zn. 8: Identified stator leakage reactance lies outside the expected range 2 ... 50% of Zn. 9: Identified rotor leakage reactance lies outside the expected range 2 ... 50% of Zn. 10: Motor has been incorrectly connected. 11: Motor shaft rotates. 20: Identified threshold voltage of the semiconductor devices lies outside the expected range 0 ... 10 V. 30: Current controller in voltage limiting. 40: At least one identification contains errors. The identified parameters are not saved to prevent inconsistencies.
Remedy:	For fault value = 0: - check whether the motor is correctly connected. Observe configuration (star-delta). Re fault value = 1 ... 40: - check whether motor data have been correctly entered in p0300, p0304 ... p0311. - is there an appropriate relationship between the motor power rating and that of the power unit? The ratio of the power unit to the rated motor current should not be less than 0.5 and not be greater than 4. - check configuration (star-delta). Re fault value = 4, 7: - check whether inductances are correctly entered in p0233. - check whether motor has been correctly connected (star-delta).
A07991 (N)	Drive: Motor data identification activated
Reaction:	NONE
Acknowledge:	NONE
Cause:	The motor data ident. routine is activated. The motor data identification routine is carried out at the next power-on command. If rotating measurement is selected (see p1900, p1960), it will not be possible to save the parameter assignment. Once motor data identification has been completed or de-activated, the option to save the parameter assignment will be made available again. See also: p1910 (Motor data identification selection)
Remedy:	Not necessary. The alarm automatically disappears after the motor data identification routine has been successfully completed or for the setting p1900 = 0.
A07994 (N)	Drive: motor data identification not performed
Reaction:	NONE
Acknowledge:	NONE
Cause:	Motor data identification has not yet been performed with the actual data set. The alarm is only initiated when changing the data set (see r0051) in the following cases: - vector control is parameterized in the data set that has been newly selected (p1300 >= 20). - a motor data identification run has still not been performed in the newly selected data set (see r3925).
Remedy:	- Perform motor data identification (see p1900). - Return data set. - Parameterize U/f control (p1300 < 20).
F08010 (N, A)	CU: Analog-to-digital converter
Reaction:	OFF1 (IASC/DCBRAKE, NONE, OFF2, OFF3, STOP1, STOP2)
Acknowledge:	IMMEDIATELY (POWER ON)
Cause:	The analog-to-digital converter on the Control Unit has not supplied any converted data.
Remedy:	- check the power supply. - replace Control Unit.

F08700 (A)	CAN: Communications error
Reaction:	OFF3 (NONE, OFF1, OFF2)
Acknowledge:	IMMEDIATELY
Cause:	<p>A CAN communications error has occurred.</p> <p>Fault value (r0949, decimal interpretation):</p> <p>1: The error counter for the send telegrams has exceeded the BUS OFF value 255. The bus disables the CAN controller.</p> <ul style="list-style-type: none"> - bus cable short circuit. - incorrect baud rate. - incorrect bit timing. <p>2: The master no longer interrogated the CAN node status longer than for its "life time". The "life time" is obtained from the "guard time" (p8604[0]) multiplied by the "life time factor" (p8604[1]).</p> <ul style="list-style-type: none"> - bus cable interrupted. - bus cable not connected. - incorrect baud rate. - incorrect bit timing. - master fault. <p>Note:</p> <p>The fault response can be set as required using p8641.</p> <p>See also: p8604 (CAN node guarding), p8641 (CAN Abort Connection Option Code)</p>
Remedy:	<ul style="list-style-type: none"> - check the bus cable - check the baud rate (p8622). - check the bit timing (p8623). - check the master. <p>The CAN controller must be manually restarted with p8608 = 1 after the cause of the fault has been resolved!</p> <p>See also: p8608 (CAN Clear Bus Off Error), p8622 (CAN bit rate), p8623 (CAN Bit Timing selection)</p>
F08701	CAN: NMT state change
Reaction:	OFF3
Acknowledge:	IMMEDIATELY
Cause:	<p>A CANopen NMT state transition from "operational" to "pre-operational" or after "stopped".</p> <p>Fault value (r0949, decimal interpretation):</p> <p>1: CANopen NMT state transition from "operational" to "pre-operational".</p> <p>2: CANopen NMT state transition from "operational" to "stopped".</p> <p>Note:</p> <p>In the NMT state "pre-operational", process data cannot be transferred and in the NMT state "stopped", no process data and no service data can be transferred.</p>
Remedy:	<p>Not necessary.</p> <p>Acknowledge the fault and continue operation.</p>
F08702 (A)	CAN: RPDO Timeout
Reaction:	OFF3 (NONE, OFF1, OFF2)
Acknowledge:	IMMEDIATELY
Cause:	<p>The monitoring time of the CANopen RPDO telegram has expired because the bus connection was either interrupted or the CANopen Master was switched-off.</p> <p>See also: p8699 (CAN: RPDO monitoring time)</p>
Remedy:	<ul style="list-style-type: none"> - check the bus cable - check the master. - If required, increase the monitoring time (p8699).
A08751	CAN: Telegram loss
Reaction:	NONE
Acknowledge:	NONE
Cause:	The CAN controller has lost a receive message (telegram).
Remedy:	Reduce the cycle times of the receive messages.

A08752	CAN: Error counter for error passive exceeded
Reaction:	NONE
Acknowledge:	NONE
Cause:	The error counter for the send or receive telegrams has exceeded the value 127.
Remedy:	<ul style="list-style-type: none"> - check the bus cable - set a higher baud rate (p8622). - check the bit timing and if required optimize (p8623). See also: p8622 (CAN bit rate), p8623 (CAN Bit Timing selection)

A08753	CAN: Message buffer overflow
Reaction:	NONE
Acknowledge:	NONE
Cause:	A message buffer overflow. Alarm value (r2124, interpret decimal): 1: Non-cyclic send buffer (SDO response buffer) overflow. 2: Non-cyclic receive buffer (SDO receive buffer) overflow. 3: Cyclic send buffer (PDO send buffer) overflow.
Remedy:	<ul style="list-style-type: none"> - check the bus cable. - set a higher baud rate (p8622). - check the bit timing and if required optimize (p8623). Re alarm value = 2: <ul style="list-style-type: none"> - reduce the cycle times of the SDO receive messages. - SDO request from master only after SDO feedback for previous SDO request. See also: p8622 (CAN bit rate), p8623 (CAN Bit Timing selection)

A08754	CAN: Incorrect communications mode
Reaction:	NONE
Acknowledge:	NONE
Cause:	In the "operational" mode, an attempt was made to change parameters p8700 ... p8737.
Remedy:	Change to the "pre-operational" or "stopped" mode.

A08755	CAN: Obj cannot be mapped
Reaction:	NONE
Acknowledge:	NONE
Cause:	The CANopen object is not provided for the Process Data Object (PDO) Mapping.
Remedy:	Use a CANopen object intended for the PDO mapping or enter 0. The following objects can be mapped in the Receive Process Data Object (RPDO) or Transmit Process Data Object (TPDO): <ul style="list-style-type: none"> - RPDO: 6040 hex, 6060 hex, 60FF hex, 6071 hex; 5800 hex - 580F hex; 5820 hex - 5827 hex - TPDO: 6041 hex, 6061 hex, 6063 hex, 6069 hex, 606B hex, 606C hex, 6074 hex; 5810 hex - 581F hex; 5830 hex - 5837 hex Only sub-index 0 of the specified objects can be mapped. Note: As long as A08755 is present, the COB-ID cannot be set to valid.

A08757	CAN: Set COB-ID invalid
Reaction:	NONE
Acknowledge:	NONE
Cause:	For online operation, the appropriate COB-ID must be set invalid before mapping. Example: Mapping for RPDO 1 should be changed (p8710[0]). --> set p8700[0] = C00006E0 hex (invalid COB-ID) --> set p8710[0] as required. --> p8700[0] enter a valid COB-ID
Remedy:	Set the COB-ID to invalid.

A08759	CAN: PDO COB-ID already available
Reaction:	NONE
Acknowledge:	NONE
Cause:	An existing PDO COB-ID was allocated.
Remedy:	Select another PDO COB-ID.
F30001	Power unit: Overcurrent
Reaction:	OFF2
Acknowledge:	IMMEDIATELY
Cause:	<p>The power unit has detected an overcurrent condition.</p> <ul style="list-style-type: none"> - closed-loop control is incorrectly parameterized. - motor has a short-circuit or fault to ground (frame). - U/f operation: Up ramp set too low. - U/f operation: rated current of motor much greater than that of power unit. - High discharge and post-charging current for line supply voltage interruptions. - High post-charging currents for overload when motoring and DC link voltage dip. - Short-circuit currents at power-on due to the missing line reactor. - power cables are not correctly connected. - power cables exceed the maximum permissible length. - power unit defective. - line phase interrupted. <p>Fault value (r0949, interpret bitwise binary):</p> <p>Bit 0: Phase U.</p> <p>Bit 1: Phase V.</p> <p>Bit 2: Phase W.</p> <p>Bit 3: Overcurrent in the DC link.</p> <p>Note:</p> <p>Fault value = 0 means that the phase with overcurrent is not recognized.</p>
Remedy:	<ul style="list-style-type: none"> - check the motor data - if required, carry out commissioning. - check the motor circuit configuration (star-delta) - U/f operation: Increase up ramp. - U/f operation: Check assignment of rated currents of motor and power unit. - check the line supply quality. - Reduce motor load. - Correct connection of line reactor. - check the power cable connections. - check the power cables for short-circuit or ground fault. - check the length of the power cables. - replace power unit. - check the line supply phases.

F30002 Power unit: DC link voltage, overvoltage

Reaction: OFF2

Acknowledge: IMMEDIATELY

Cause: The power unit has detected an overvoltage condition in the DC link.

- motor regenerates too much energy.
- line supply voltage too high.
- line phase interrupted.
- DC-link voltage control switched off.
- dynamic response of DC-link voltage controller excessive or insufficient.

Fault value (r0949, decimal interpretation):
DC link voltage at the time of trip [0.1 V].

Remedy:

- increase the ramp-down time (p1121).
- set the rounding times (p1130, p1136). This is particularly recommended in U/f operation to relieve the DC link voltage controller with rapid ramp-down times of the ramp-function generator.
- Activate the DC link voltage controller (p1240, p1280).
- adapt the dynamic response of the DC-link voltage controller (p1243, p1247, p1283, p1287).
- check the line supply voltage and setting in p0210.
- check and correct the phase assignment at the power unit.
- check the line supply phases.

See also: p0210 (Drive unit line supply voltage), p1240 (Vdc controller or Vdc monitoring configuration (vector control))

F30003 Power unit: DC link voltage, undervoltage

Reaction: OFF2

Acknowledge: IMMEDIATELY

Cause: The power unit has detected an undervoltage condition in the DC link.

- line supply failure
- line supply voltage below the permissible value.
- line phase interrupted.

Note:

The monitoring threshold for the DC link undervoltage is the minimum of the following values:

- for a calculation, refer to p0210.

Remedy:

- check the line supply voltage
- check the line supply phases.

See also: p0210 (Drive unit line supply voltage)

F30004 Power unit: Overtemperature heat sink AC inverter

Reaction: OFF2

Acknowledge: IMMEDIATELY

Cause: The temperature of the power unit heat sink has exceeded the permissible limit value.

- insufficient cooling, fan failure.
- overload.
- ambient temperature too high.
- pulse frequency too high.

Fault value (r0949):

Temperature [1 bit = 0.01 °C].

Remedy:

- check whether the fan is running.
- check the fan elements.
- check whether the ambient temperature is in the permissible range.
- check the motor load.
- reduce the pulse frequency if this is higher than the rated pulse frequency.

Notice:

This fault can only be acknowledged after this alarm threshold for alarm A05000 has been undershot.

See also: p1800 (Pulse frequency setpoint)

F30005 Power unit: Overload I2t

Reaction: OFF2

Acknowledge: IMMEDIATELY

Cause: The power unit was overloaded (r0036 = 100 %).
 - the permissible rated power unit current was exceeded for an inadmissibly long time.
 - the permissible load duty cycle was not maintained.
 Fault value (r0949, decimal interpretation):
 I2t [100 % = 16384].

Remedy: - reduce the continuous load.
 - adapt the load duty cycle.
 - check the motor and power unit rated currents.
 - reduce the current limit (p0640).
 - during operation with U/f characteristic: reduce the integral time of the current limiting controller (p1341).
 See also: r0036 (Power unit overload I2t), r0206 (Rated power unit power), p0307 (Rated motor power)

F30011 Power unit: Line phase failure in main circuit

Reaction: OFF2 (OFF1)

Acknowledge: IMMEDIATELY

Cause: A line phase failure was detected at the power unit.
 - the fuse of a phase of a main circuit has ruptured.
 - the DC link voltage ripple has exceeded the permissible limit value.
 Note:

The cause may also be a phase failure in the motor feeder cable.

Remedy: - check the main circuit fuses.
 - check the motor feeder cables.

F30012 Power unit: Temperature sensor heat sink wire breakage

Reaction: OFF1 (OFF2)

Acknowledge: IMMEDIATELY

Cause: The connection to a heat sink temperature sensor in the power unit is interrupted.
 Fault value (r0949, interpret hexadecimal):

- Bit 0: Module slot (electronics slot)
- Bit 1: Air intake
- Bit 2: Inverter 1
- Bit 3: Inverter 2
- Bit 4: Inverter 3
- Bit 5: Inverter 4
- Bit 6: Inverter 5
- Bit 7: Inverter 6
- Bit 8: Rectifier 1
- Bit 9: Rectifier 2

Remedy: Contact the manufacturer.

F30013 Power unit: Temperature sensor heat sink short-circuit

Reaction: OFF1 (OFF2)

Acknowledge: IMMEDIATELY

Cause: The heat sink temperature sensor in the power unit is short-circuited.
 Fault value (r0949, interpret hexadecimal):

- Bit 0: Module slot (electronics slot)
- Bit 1: Air intake
- Bit 2: Inverter 1
- Bit 3: Inverter 2
- Bit 4: Inverter 3
- Bit 5: Inverter 4
- Bit 6: Inverter 5
- Bit 7: Inverter 6
- Bit 8: Rectifier 1
- Bit 9: Rectifier 2

Remedy: Contact the manufacturer.

F30015 (N, A)	Power unit: Phase failure motor cable
Reaction:	OFF2 (NONE, OFF1, OFF3)
Acknowledge:	IMMEDIATELY
Cause:	A phase failure in the motor feeder cable was detected. The signal can also be output in the following cases: - The motor is correctly connected, but the drive has stalled in V/f control. In this case, a current of 0 A is possibly measured in one phase due to asymmetry of the currents. - the motor is correctly connected, however the closed-speed control is instable and therefore an oscillating torque is generated. Note: Chassis power units do not feature phase failure monitoring.
Remedy:	- check the motor feeder cables. - increase the ramp-up or ramp-down time (p1120) if the drive has stalled in V/f control. - check the speed controller settings.
A30016 (N)	Power unit: Load supply switched out
Reaction:	NONE
Acknowledge:	NONE
Cause:	The DC link voltage is too low. Alarm value (r2124, interpret decimal): DC link voltage at the time of trip [0.1 V].
Remedy:	Under certain circumstances, the AC line supply is not switched on.
F30017	Power unit: Hardware current limit has responded too often
Reaction:	OFF2
Acknowledge:	IMMEDIATELY
Cause:	The hardware current limitation in the relevant phase (see A30031, A30032, A30033) has responded too often. The number of times the limit has been exceeded depends on the design and type of power unit. - closed-loop control is incorrectly parameterized. - fault in the motor or in the power cables. - the power cables exceed the maximum permissible length. - motor load too high - power unit defective. Fault value (r0949, interpret binary): Bit 0: Phase U Bit 1: Phase V Bit 2: Phase W
Remedy:	- check the motor data. - check the motor circuit configuration (star-delta). - check the motor load. - check the power cable connections. - check the power cables for short-circuit or ground fault. - check the length of the power cables. - replace power unit.
F30021	Power unit: Ground fault
Reaction:	OFF2
Acknowledge:	IMMEDIATELY
Cause:	Power unit has detected a ground fault. - ground fault in the power cables. - winding fault or ground fault at the motor. - CT defective. - when the brake is applied, this causes the hardware DC current monitoring to respond. Fault value (r0949, decimal interpretation): Absolute value, summation current [32767 = 271 % rated current].
Remedy:	- check the power cable connections. - check the motor. - check the CT. - check the cables and contacts of the brake connection (a wire is possibly broken). See also: p0287 (Ground fault monitoring thresholds)

F30022	Power unit: Monitoring U_{ce}
Reaction:	OFF2
Acknowledge:	POWER ON
Cause:	In the power unit, the monitoring of the collector-emitter voltage (U _{ce}) of the semiconductor has responded. Possible causes: - fiber-optic cable interrupted. - power supply of the IGBT gating module missing. - short-circuit at the power unit output. - defective semiconductor in the power unit. Fault value (r0949, interpret binary): Bit 0: Short-circuit in phase U Bit 1: Short circuit in phase V Bit 2: Short-circuit in phase W Bit 3: Light transmitter enable defective Bit 4: U _{ce} group fault signal interrupted See also: r0949 (Fault value)
Remedy:	- check the fiber-optic cable and if required, replace. - check the power supply of the IGBT gating module (24 V). - check the power cable connections. - select the defective semiconductor and replace.

F30024	Power unit: Overtemperature thermal model
Reaction:	OFF2
Acknowledge:	IMMEDIATELY
Cause:	The temperature difference between the heat sink and chip has exceeded the permissible limit value. - the permissible load duty cycle was not maintained. - insufficient cooling, fan failure. - overload. - ambient temperature too high. - pulse frequency too high. See also: r0037 (Power unit temperatures)
Remedy:	- adapt the load duty cycle. - check whether the fan is running. - check the fan elements. - check whether the ambient temperature is in the permissible range. - check the motor load. - reduce the pulse frequency if this is higher than the rated pulse frequency. - if DC braking is active: reduce braking current (p1232).

F30025	Power unit: Chip overtemperature
Reaction:	OFF2
Acknowledge:	IMMEDIATELY
Cause:	Chip temperature of the semiconductor has exceeded the permissible limit value. - the permissible load duty cycle was not maintained. - insufficient cooling, fan failure. - overload. - ambient temperature too high. - pulse frequency too high. Fault value (r0949): Temperature difference between the heat sink and chip [1 Bit = 0.01 °C].
Remedy:	- adapt the load duty cycle. - check whether the fan is running. - check the fan elements. - check whether the ambient temperature is in the permissible range. - check the motor load. - reduce the pulse frequency if this is higher than the rated pulse frequency. Notice: This fault can only be acknowledged after this alarm threshold for alarm A05001 has been undershot. See also: r0037 (Power unit temperatures)

F30027 Power unit: Precharging DC link time monitoring

Reaction: OFF2

Acknowledge: IMMEDIATELY

Cause: The power unit DC link was not able to be pre-charged within the expected time.

- 1) There is no line supply voltage connected.
- 2) The line contactor/line side switch has not been closed.
- 3) The line supply voltage is too low.
- 4) Line supply voltage incorrectly set (p0210).
- 5) The pre-charging resistors are overheated as there were too many pre-charging operations per time unit.
- 6) The pre-charging resistors are overheated as the DC link capacitance is too high.
- 7) The DC link has either a ground fault or a short-circuit.
- 8) Pre-charging circuit may be defective.

Fault value (r0949, interpret binary):

yyyyxxxx hex:

yyyy = power unit state

0: Fault status (wait for OFF and fault acknowledgement).

1: Restart inhibit (wait for OFF).

2: Overvoltage condition detected -> change into the fault state.

3: Undervoltage condition detected -> change into the fault state.

4: Wait for bypass contactor to open -> change into the fault state.

5: Wait for bypass contactor to open -> change into restart inhibit.

6: Commissioning.

7: Ready for pre-charging.

8: Pre-charging started, DC link voltage less than the minimum switch-on voltage.

9: Pre-charging, DC link voltage end of pre-charging still not detected.

10: Wait for the end of the de-bounce time of the main contactor after pre-charging has been completed.

11: Pre-charging completed, ready for pulse enable.

12: Reserved.

xxxx = Missing internal enable signals, power unit (inverted bit-coded, FFFF hex -> all internal enable signals available)

Bit 0: Power supply of the IGBT gating shut down.

Bit 1: Ground fault detected.

Bit 2: Peak current intervention.

Bit 3: I_{2t} exceeded.

Bit 4: Thermal model overtemperature calculated.

Bit 5: (heat sink, gating module, power unit) overtemperature measured.

Bit 6: Reserved.

Bit 7: Overvoltage detected.

Bit 8: Power unit has completed pre-charging, ready for pulse enable.

Bit 9: Reserved.

Bit 10: Overcurrent detected.

Bit 11: Reserved.

Bit 12: Reserved.

Bit 13: Vce fault detected, transistor de-saturated due to overcurrent/short-circuit.

Bit 14: Undervoltage detected.

See also: p0210 (Drive unit line supply voltage)

Remedy:

In general:

- check the line supply voltage at the input terminals.

- check the line supply voltage setting (p0210).

- wait until the pre-charging resistors have cooled down. For this purpose, preferably disconnect the infeed unit from the line supply.

Re 5):

- carefully observe the permissible pre-charging frequency (refer to the appropriate Equipment Manual).

Re 6):

- check the capacitance of the DC link and, if necessary, reduce it in accordance with the maximum permissible DC link capacitance (see relevant Equipment Manual).

Re 7):

- check the DC link for a ground fault or short circuit.

See also: p0210 (Drive unit line supply voltage)

A30031	Power unit: Hardware current limiting, phase U
Reaction:	NONE
Acknowledge:	NONE
Cause:	<p>Hardware current limit for phase U responded. The pulsing in this phase is inhibited for one pulse period.</p> <ul style="list-style-type: none"> - closed-loop control is incorrectly parameterized. - fault in the motor or in the power cables. - the power cables exceed the maximum permissible length. - motor load too high - power unit defective. <p>Note: Alarm A30031 is always output if, for a Power Module, the hardware current limiting of phase U, V or W responds.</p>
Remedy:	<ul style="list-style-type: none"> - check the motor data and if required, recalculate the controller parameters (p0340 = 3). As an alternative, run a motor data identification (p1910 = 1, p1960 = 1). - check the motor circuit configuration (star-delta) - check the motor load. - check the power cable connections. - check the power cables for short-circuit or ground fault. - check the length of the power cables.

A30032	Power unit: Hardware current limiting, phase V
Reaction:	NONE
Acknowledge:	NONE
Cause:	<p>Hardware current limit for phase V responded. The pulsing in this phase is inhibited for one pulse period.</p> <ul style="list-style-type: none"> - closed-loop control is incorrectly parameterized. - fault in the motor or in the power cables. - the power cables exceed the maximum permissible length. - motor load too high - power unit defective. <p>Note: Alarm A30031 is always output if, for a Power Module, the hardware current limiting of phase U, V or W responds.</p>
Remedy:	<p>Check the motor data and if required, recalculate the controller parameters (p0340 = 3). As an alternative, run a motor data identification (p1910 = 1, p1960 = 1).</p> <ul style="list-style-type: none"> - check the motor circuit configuration (star-delta) - check the motor load. - check the power cable connections. - check the power cables for short-circuit or ground fault. - check the length of the power cables.

A30033	Power unit: Hardware current limiting, phase W
Reaction:	NONE
Acknowledge:	NONE
Cause:	<p>Hardware current limit for phase W responded. The pulsing in this phase is inhibited for one pulse period.</p> <ul style="list-style-type: none"> - closed-loop control is incorrectly parameterized. - fault in the motor or in the power cables. - the power cables exceed the maximum permissible length. - motor load too high - power unit defective. <p>Note: Alarm A30031 is always output if, for a Power Module, the hardware current limiting of phase U, V or W responds.</p>
Remedy:	<ul style="list-style-type: none"> - check the motor data and if required, recalculate the controller parameters (p0340 = 3). As an alternative, run a motor data identification (p1910 = 1, p1960 = 1). - check the motor circuit configuration (star-delta) - check the motor load. - check the power cable connections. - check the power cables for short-circuit or ground fault. - check the length of the power cables.

A30034	Power unit: Internal overtemperature
Reaction:	NONE
Acknowledge:	NONE
Cause:	<p>The alarm threshold for internal overtemperature has been reached. If the temperature inside the unit continues to increase, fault F30036 may be triggered.</p> <ul style="list-style-type: none"> - ambient temperature might be too high. - insufficient cooling, fan failure. <p>Fault value (r0949, interpret binary): Bit 0 = 1: Control electronics range. Bit 1 = 1: Power electronics range.</p>
Remedy:	<ul style="list-style-type: none"> - check the ambient temperature. - check the fan for the inside of the unit.
F30035	Power unit: Air intake overtemperature
Reaction:	OFF1 (OFF2)
Acknowledge:	IMMEDIATELY
Cause:	<p>The air intake in the power unit has exceeded the permissible temperature limit. For air-cooled power units, the temperature limit is at 55 °C.</p> <ul style="list-style-type: none"> - ambient temperature too high. - insufficient cooling, fan failure. <p>Fault value (r0949, decimal interpretation): Temperature [0.01 °C].</p>
Remedy:	<ul style="list-style-type: none"> - check whether the fan is running. - check the fan elements. - check whether the ambient temperature is in the permissible range. <p>Notice: This fault can only be acknowledged after this alarm threshold for alarm A05002 has been undershot.</p>
F30036	Power unit: Internal overtemperature
Reaction:	OFF2
Acknowledge:	IMMEDIATELY
Cause:	<p>For chassis power units, the following applies: The temperature inside the drive converter has exceeded the permissible temperature limit.</p> <ul style="list-style-type: none"> - insufficient cooling, fan failure. - overload. - ambient temperature too high. <p>Fault value (r0949, interpret binary): Bit 0 = 1: Overtemperature in the control electronics range. Bit 1 = 1: Overtemperature in the power electronics range.</p>
Remedy:	<ul style="list-style-type: none"> - check whether the fan is running. - check the fan elements. - check whether the ambient temperature is in the permissible range. <p>Notice: This fault can only be acknowledged once the permissible temperature limit minus 5 K has been fallen below.</p>
F30037	Power unit: Rectifier overtemperature
Reaction:	OFF2
Acknowledge:	IMMEDIATELY
Cause:	<p>The temperature in the rectifier of the power unit has exceeded the permissible temperature limit.</p> <ul style="list-style-type: none"> - insufficient cooling, fan failure. - overload. - ambient temperature too high. - line supply phase failure. <p>Fault value (r0949, decimal interpretation): Temperature [0.01 °C].</p>
Remedy:	<ul style="list-style-type: none"> - check whether the fan is running. - check the fan elements. - check whether the ambient temperature is in the permissible range. - check the motor load. - check the line supply phases. <p>Notice: This fault can only be acknowledged after this alarm threshold for alarm A05004 has been undershot.</p>

A30042	Power unit: Fan operating time reached or exceeded
Reaction:	NONE
Acknowledge:	NONE
Cause:	The maximum operating time of the fan in the power unit is set in p0252. This message indicates the following: Fault value (r0949, decimal interpretation): 0: The maximum fan operating time is 500 hours. 1: The maximum fan operating time has been exceeded.
Remedy:	Replace the fan in the power unit and reset the operating hours counter to 0 (p0251 = 0).
A30049	Power unit: Internal fan faulty
Reaction:	NONE
Acknowledge:	NONE
Cause:	The internal fan has failed.
Remedy:	Check the internal fan and replace if necessary.
F30052	EEPROM data error
Reaction:	NONE
Acknowledge:	POWER ON
Cause:	EEPROM data error of the power unit module. Fault value (r0949, interpret hexadecimal): 0: The EEPROM data read in from the power unit module is inconsistent. 1: The EEPROM data is not compatible with the CU firmware.
Remedy:	For fault value = 0: Replace power unit module. For fault value = 1: Replace power unit module.
A30054 (F)	Power unit: Undervoltage when opening the brake
Reaction:	NONE
Acknowledge:	NONE
Cause:	When the brake is being opened, it is detected that the power supply voltage is less than $24\text{ V} - 10\% = 21.6\text{V}$. Alarm value (r2124, interpret decimal): Supply voltage fault [0.1 V]. Example: Alarm value = 212 --> voltage = 21.2 V
Remedy:	Check the 24V power supply for stability and value.
F30055	Power unit: Braking chopper overcurrent
Reaction:	OFF2
Acknowledge:	IMMEDIATELY
Cause:	An overcurrent condition has occurred in the braking chopper.
Remedy:	- check whether the braking resistor has a short circuit. - for an external braking resistor, check whether the resistor may have been dimensioned too small. Note: The braking chopper is only enabled again at pulse enable after the fault has been acknowledged.
F30059	Power unit: Internal fan faulty
Reaction:	OFF2
Acknowledge:	IMMEDIATELY
Cause:	The internal power unit fan has failed and is possibly defective.
Remedy:	Check the internal fan and replace if necessary.

F30071	No new actual values received from the Power Module
Reaction:	OFF2
Acknowledge:	IMMEDIATELY
Cause:	More than one actual value telegram from the power unit module has failed.
Remedy:	Check the interface (adjustment and locking) to the power unit module.
F30072	Setpoints can no longer be transferred to the Power Module
Reaction:	OFF2
Acknowledge:	IMMEDIATELY
Cause:	More than one setpoint telegram was not able to be transferred to the power unit module.
Remedy:	Check the interface (adjustment and locking) to the power unit module.
F30074 (A)	Communication error between the Control Unit and Power Module
Reaction:	NONE
Acknowledge:	IMMEDIATELY
Cause:	Communications between the Control Unit and Power Module via the interface no longer possible. The Control Unit may have been withdrawn or is incorrectly inserted. Fault value (r0949, interpret hexadecimal): 0 hex: The Control Unit was withdrawn from the Power Module during operation. 1 hex: The Control Unit was withdrawn from the Power Module during operation, although the encoderless safe motion monitoring functions are enabled. This is not supported. After re-inserting the Control Unit in operation, communications to the Power Module no longer possible. 20A hex: The Control Unit was inserted on a Power Module, which has another code number. 20B hex: The Control Unit was inserted on a Power Module, which although it has the same code number, has a different serial number. The Control Unit executes an automatic warm restart to accept the new calibration data.
Remedy:	For fault value = 0 and 20A hex: Insert the Control Unit on an appropriate Power Module and continue operation. If required, carry out a POWER ON of the Control Unit. For fault value = 1 hex: Carry out a POWER ON of the Control Unit.
F30080	Power unit: Current increasing too quickly
Reaction:	OFF2
Acknowledge:	IMMEDIATELY
Cause:	The power unit has detected an excessive rate of rise in the overvoltage range. - closed-loop control is incorrectly parameterized. - motor has a short-circuit or fault to ground (frame). - U/f operation: Up ramp set too low. - U/f operation: rated current of motor much greater than that of power unit. - power cables are not correctly connected. - power cables exceed the maximum permissible length. - power unit defective. Fault value (r0949, interpret bitwise binary): Bit 0: Phase U. Bit 1: Phase V. Bit 2: Phase W.
Remedy:	- check the motor data - if required, carry out commissioning. - check the motor circuit configuration (star-delta) - U/f operation: Increase up ramp. - U/f operation: Check assignment of rated currents of motor and power unit. - check the power cable connections. - check the power cables for short-circuit or ground fault. - check the length of the power cables. - replace power unit.

F30081	Power unit: Switching operations too frequent
Reaction:	OFF2
Acknowledge:	IMMEDIATELY
Cause:	<p>The power unit has executed too many switching operations for current limitation.</p> <ul style="list-style-type: none"> - closed-loop control is incorrectly parameterized. - motor has a short-circuit or fault to ground (frame). - U/f operation: Up ramp set too low. - U/f operation: rated current of motor much greater than that of power unit. - power cables are not correctly connected. - power cables exceed the maximum permissible length. - power unit defective. <p>Fault value (r0949, interpret bitwise binary): Bit 0: Phase U. Bit 1: Phase V. Bit 2: Phase W.</p>
Remedy:	<ul style="list-style-type: none"> - check the motor data - if required, carry out commissioning. - check the motor circuit configuration (star-delta) - U/f operation: Increase up ramp. - U/f operation: Check assignment of rated currents of motor and power unit. - check the power cable connections. - check the power cables for short-circuit or ground fault. - check the length of the power cables. - replace power unit.
F30105	PU: Actual value sensing fault
Reaction:	OFF2
Acknowledge:	IMMEDIATELY
Cause:	<p>At least one incorrect actual value channel was detected on the Power Stack Adapter (PSA). The incorrect actual value channels are displayed in the following diagnostic parameters.</p>
Remedy:	<p>Evaluate the diagnostic parameters. If the actual value channel is incorrect, check the components and if required, replace.</p>
A30502	Power unit: DC link overvoltage
Reaction:	NONE
Acknowledge:	NONE
Cause:	<p>The power unit has detected overvoltage in the DC link on a pulse inhibit.</p> <ul style="list-style-type: none"> - device connection voltage too high. - line reactor incorrectly dimensioned. <p>Fault value (r0949, decimal interpretation): DC link voltage [1 bit = 100 mV]. See also: r0070 (Actual DC link voltage)</p>
Remedy:	<ul style="list-style-type: none"> - check the device supply voltage (p0210). - check the dimensioning of the line reactor. <p>See also: p0210 (Drive unit line supply voltage)</p>
F30600	SI P2: STOP A initiated
Reaction:	OFF2
Acknowledge:	IMMEDIATELY (POWER ON)
Cause:	<p>The drive-integrated "Safety Integrated" function on processor 2 has detected an error and initiated a STOP A.</p> <ul style="list-style-type: none"> - forced checking procedure of the safety shutdown path via processor 2 unsuccessful. - subsequent response to fault F30611 (defect in a monitoring channel). <p>Fault value (r0949, decimal interpretation): 0: Stop request from processor 1. 1005: Pulses suppressed although STO not selected and there is no internal STOP A present. 1010: Pulses enabled although STO is selected or an internal STOP A is present. 9999: Subsequent response to fault F30611.</p>
Remedy:	<p>Select Safe Torque Off and de-select again. For fault value = 9999: - carry out diagnostics for fault F30611.</p> <p>Note: STO: Safe Torque Off</p>

F30611	SI P2: Defect in a monitoring channel
Reaction:	NONE (OFF1, OFF2, OFF3)
Acknowledge:	IMMEDIATELY (POWER ON)
Cause:	<p>The drive-integrated "Safety Integrated" function on processor 2 has detected a fault in the crosswise data comparison between the two monitoring channels and has initiated a STOP F. As a consequence of this fault, fault F30600 (SI P2: STOP A initiated) is output. Fault value (r0949, decimal interpretation): 0: Stop request from processor 1. 1 ... 999: Number of the cross-checked data that resulted in this fault. This number is also displayed in r9795. 2: SI enable safety functions (p9601, p9801). Crosswise data comparison is only carried out for the supported bits. 3: SI F-DI changeover tolerance time (p9650, p9850). 8: SI PROFIsafe address (p9610, p9810). 9: SI debounce time for STO (p9651, p9851). 1000: Watchdog timer has expired. Within a time of approx. 5 x p9850, too many switching operations have occurred at F-DI, or STO (also as subsequent response) was initiated too frequently via PROFIsafe. 1001, 1002: Initialization error, change timer / check timer. 2000: Status of the STO selection for both monitoring channels are different. 2001: Feedback of the safe pulse suppression on the two monitoring channels are different. 6000 ... 6999: Error in the PROFIsafe control. For these fault values, the failsafe control signals (failsafe values) are transferred to the safety functions. The significance of the individual message values is described in safety message C01711.</p>
Remedy:	<p>Re fault values 1 ... 999 described in "Cause": - check the cross-checked data that resulted in a STOP F. - carry out a POWER ON (power off/on). For fault value = 1000: - check the wiring of the F-DI (contact problems). - PROFIsafe: Remove contact problems/faults at the PROFIBUS master/PROFINET controller. Re fault value = 1001, 1002: - carry out a POWER ON (power off/on). Re fault value = 2000, 2001, 2002, 2004, 2005: - check the tolerance time F-DI changeover and if required, increase the value (p9650/p9850). - check the wiring of the F-DI (contact problems). - check the causes of the STO selection in r9772. When the SI Motion functions are active (p9501 = 1), STO can also be selected using these functions. Re fault value = 6000 ... 6999: Refer to the description of the message values in safety message C01711. Re fault values that are described in "Cause": - carry out a POWER ON (power off/on). - contact the Hotline - replace Control Unit. Note: F-DI: Failsafe Digital Input STO: Safe Torque Off</p>

N30620 (F, A)	SI P2: Safe Torque Off active
Reaction:	NONE
Acknowledge:	NONE
Cause:	<p>The "Safe Torque Off" (STO) function has been selected on processor 2 using the input terminal and is active. Note: This message does not result in a safety stop response.</p>
Remedy:	<p>Not necessary. Note: STO: Safe Torque Off</p>

F30625	SI P2: Sign-of-life error in safety data
Reaction:	OFF2
Acknowledge:	IMMEDIATELY (POWER ON)
Cause:	The drive-integrated "Safety Integrated" function on processor 2 has detected an error in the sign-of-life of the safety data and initiated a STOP A. - there is a communication error between processor 1 and processor 2 or communication has failed. - a time slice overflow of the safety software has occurred. Fault value (r0949, decimal interpretation): Only for internal Siemens troubleshooting.
Remedy:	- select Safe Torque Off and de-select again. - carry out a POWER ON (power off/on). - check whether additional faults are present and if required, perform diagnostics. - check the electrical cabinet design and cable routing for EMC compliance
F30649	SI P2: Internal software error
Reaction:	OFF2
Acknowledge:	IMMEDIATELY (POWER ON)
Cause:	An internal error in the Safety Integrated software on processor 2 has occurred. Note: This fault results in a STOP A that cannot be acknowledged. Fault value (r0949, interpret hexadecimal): Only for internal Siemens troubleshooting.
Remedy:	- carry out a POWER ON (power off/on). - re-commission the "Safety Integrated" function and carry out a POWER ON. - contact the Hotline. - replace Control Unit.
F30650	SI P2: Acceptance test required
Reaction:	OFF2
Acknowledge:	IMMEDIATELY (POWER ON)
Cause:	The drive-integrated "Safety Integrated" function on processor 2 requires an acceptance test. Note: This fault results in a STOP A that can be acknowledged. Fault value (r0949, decimal interpretation): 130: Safety parameters for processor 2 not available. Note: This fault value is always output when Safety Integrated is commissioned for the first time. 1000: Reference and actual checksum on processor 2 are not identical (booting). - at least one checksum-checked piece of data is defective. 2000: Reference and actual checksum on processor 2 are not identical (commissioning mode). - reference checksum incorrectly entered on processor 2 (p9899 not equal to r9898). 2003: Acceptance test is required as a safety parameter has been changed. 9999: Subsequent response of another safety-related fault that occurred when booting that requires an acceptance test.
Remedy:	For fault value = 130: - carry out safety commissioning routine. For fault value = 1000: - again carry out safety commissioning routine. - replace the memory card or Control Unit. For fault value = 2000: - check the safety parameters on processor 2 and adapt the reference checksum (p9899). For fault value = 2003: - Carry out an acceptance test and generate an acceptance report. For fault value = 9999: - carry out diagnostics for the other safety-related fault that is present. See also: p9799 (SI setpoint checksum SI parameters (processor 1)), p9899 (SI setpoint checksum SI parameters (processor 2))

F30651	SI P2: Synchronization with Control Unit unsuccessful
Reaction:	OFF2
Acknowledge:	IMMEDIATELY (POWER ON)
Cause:	The drive-integrated "Safety Integrated" function requires synchronization of the safety time slices on processor 1 and processor 2. This synchronization was unsuccessful. Note: This fault results in a STOP A that cannot be acknowledged. Fault value (r0949, decimal interpretation): Only for internal Siemens troubleshooting.
Remedy:	- carry out a POWER ON (power off/on).
F30655	SI P2: Align monitoring functions
Reaction:	OFF2
Acknowledge:	IMMEDIATELY (POWER ON)
Cause:	An error has occurred when aligning the Safety Integrated monitoring functions on processor 1 and processor 2. No common set of supported SI monitoring functions was able to be determined. - there is a communication error between processor 1 and processor 2 or communication has failed. Note: This fault results in a STOP A that cannot be acknowledged. Fault value (r0949, interpret hexadecimal): Only for internal Siemens troubleshooting.
Remedy:	- carry out a POWER ON (power off/on). - check the electrical cabinet design and cable routing for EMC compliance
F30656	SI P2: Parameter processor 2 parameter error
Reaction:	OFF2
Acknowledge:	IMMEDIATELY (POWER ON)
Cause:	When accessing the Safety Integrated parameters for the processor 2 in the non-volatile memory, an error has occurred. Note: This fault results in a STOP A that can be acknowledged. Fault value (r0949, decimal interpretation): 129: Safety parameters for processor 2 corrupted. 131: Internal software error on processor 1. 255: Internal software error on processor 2.
Remedy:	- re-commission the safety functions. - replace the memory card or Control Unit.
F30659	SI P2: Write request for parameter rejected
Reaction:	OFF2
Acknowledge:	IMMEDIATELY (POWER ON)
Cause:	The write request for one or several Safety Integrated parameters on processor 2 was rejected. Note: This fault does not result in a safety stop response. Fault value (r0949, decimal interpretation): 10: An attempt was made to enable the STO function although this cannot be supported. 15: An attempt was made to enable the motion monitoring functions integrated in the drive although these cannot be supported. 16: An attempt was made to enable the PROFIsafe communications although this cannot be supported. 18: An attempt was made to enable the PROFIsafe function for Basic Functions although this cannot be supported. 20: An attempt was made to simultaneously enable both the drive-integrated motion monitoring functions via integrated F-DI and STO via terminals, even though these cannot be supported at the same time. See also: r9771 (SI common functions (processor 1)), r9871 (SI common functions (processor 2))
Remedy:	Re fault value = 10, 15, 16, 18: - check whether there are faults in the safety function alignment (F01655, F30655) and if required, carry out diagnostics for the faults involved. - use a Control Unit that supports the required function. Note: STO: Safe Torque Off

F30662	Error in internal communications
Reaction:	OFF2
Acknowledge:	POWER ON
Cause:	A module-internal communication error has occurred. Fault value (r0949, interpret hexadecimal): Only for internal Siemens troubleshooting.
Remedy:	- carry out a POWER ON (power off/on). - upgrade firmware to later version. - contact the Hotline.
F30664	Error while booting
Reaction:	OFF2
Acknowledge:	POWER ON
Cause:	An error has occurred during booting. Fault value (r0949, interpret hexadecimal): Only for internal Siemens troubleshooting.
Remedy:	- carry out a POWER ON (power off/on). - upgrade firmware to later version. - contact the Hotline.
F30665	SI P2: System is defective
Reaction:	OFF2
Acknowledge:	IMMEDIATELY
Cause:	A system defect was detected before the last boot or in the actual one. The system might have been rebooted (reset). Fault value (r0949, interpret hexadecimal): 200000 hex, 400000 hex: - Fault in the actual booting/operation. Additional values: - defect before the last time that the system booted.
Remedy:	- carry out a POWER ON (power off/on). - upgrade firmware to later version. - contact the Hotline. Re fault value = 400000 hex: - ensure that the Control Unit is connected to the Power Module.
A30693 (F)	SI P2: Safety parameter settings changed, POWER ON required
Reaction:	NONE
Acknowledge:	NONE
Cause:	Safety parameters have been changed; these will only take effect following a POWER ON. Alarm value (r2124, interpret decimal): Parameter number of the safety parameter which has changed, necessitating a POWER ON.
Remedy:	- carry out a POWER ON (power off/on).
N30800 (F)	Power unit: Group signal
Reaction:	OFF2
Acknowledge:	NONE
Cause:	The power unit has detected at least one fault.
Remedy:	Evaluate the other messages that are presently available.
F30802	Power unit: Time slice overflow
Reaction:	OFF2
Acknowledge:	IMMEDIATELY
Cause:	A time slice overflow has occurred.
Remedy:	- carry out a POWER ON (power off/on) for all components. - upgrade firmware to later version. - contact the Hotline.

A30804 (F)	Power unit: CRC
Reaction:	NONE
Acknowledge:	NONE
Cause:	CRC error actuator
Remedy:	<ul style="list-style-type: none"> - carry out a POWER ON (power off/on) for all components. - upgrade firmware to later version. - contact the Hotline.
F30805	Power unit: EPROM checksum error
Reaction:	OFF2
Acknowledge:	IMMEDIATELY
Cause:	<p>Internal parameter data is corrupted.</p> <p>Fault value (r0949, interpret hexadecimal):</p> <p>01: EEPROM access error.</p> <p>02: Too many blocks in the EEPROM.</p>
Remedy:	Replace the module.
F30809	Power unit: Switching information not valid
Reaction:	OFF2
Acknowledge:	IMMEDIATELY
Cause:	<p>For 3P gating unit:</p> <p>The last switching status word in the setpoint telegram is identified by the end ID. Such an end ID was not found.</p>
Remedy:	<ul style="list-style-type: none"> - carry out a POWER ON (power off/on) for all components. - upgrade firmware to later version. - contact the Hotline.
A30810 (F)	Power unit: Watchdog timer
Reaction:	NONE
Acknowledge:	NONE
Cause:	When booting it was detected that the cause of the previous reset was an SAC watchdog timer overflow.
Remedy:	<ul style="list-style-type: none"> - carry out a POWER ON (power off/on) for all components. - upgrade firmware to later version. - contact the Hotline.
F30850	Power unit: Internal software error
Reaction:	OFF1 (NONE, OFF2, OFF3)
Acknowledge:	POWER ON
Cause:	<p>An internal software error has occurred in the power unit.</p> <p>Fault value (r0949, decimal interpretation):</p> <p>Only for internal Siemens troubleshooting.</p>
Remedy:	<ul style="list-style-type: none"> - replace power unit. - if required, upgrade the firmware in the power unit. - contact the Hotline.
F30903	Power unit: I2C bus error occurred
Reaction:	OFF2 (IASC/DCBRAKE, NONE, OFF1, OFF3, STOP2)
Acknowledge:	IMMEDIATELY
Cause:	<p>Communications error with an EEPROM or A/D converter.</p> <p>Fault value (r0949, interpret hexadecimal):</p> <p>80000000 hex:</p> <ul style="list-style-type: none"> - internal software error. <p>00000001 hex ... 0000FFFF hex:</p> <ul style="list-style-type: none"> - module fault.
Remedy:	<p>Re fault value = 80000000 hex:</p> <ul style="list-style-type: none"> - upgrade firmware to later version. <p>Re fault value = 00000001 hex ... 0000FFFF hex:</p> <ul style="list-style-type: none"> - replace the module.

A30920 (F) Temperature sensor fault

Reaction: NONE

Acknowledge: NONE

Cause: When evaluating the temperature sensor, an error occurred.
Alarm value (r2124, interpret decimal):
1: Wire breakage or sensor not connected (KTY: R > 2120 Ohm).
2: Measured resistance too low (PTC: R < 20 Ohm, KTY: R < 50 Ohm).

Remedy: - make sure that the sensor is connected correctly.
- replace the sensor.

A30999 (F, N) Power unit: Unknown alarm

Reaction: NONE

Acknowledge: NONE

Cause: An alarm occurred on the power unit that cannot be interpreted by the Control Unit firmware.
This can occur if the firmware on this component is more recent than the firmware on the Control Unit.
Alarm value (r2124, interpret decimal):
Alarm number.

Note:

If required, the significance of this new alarm can be read about in a more recent description of the Control Unit.

Remedy: - replace the firmware on the power unit by an older firmware version (r0128).
- upgrade the firmware on the Control Unit (r0018).

Appendix

A

Contents

A.1	ASCII Table (excerpt)	A-472
-----	-----------------------	-------

A.1 ASCII Table (excerpt)

The following table contains the decimal and hexadecimal notation of selected ASCII indications.

Table A-1 ASCII-Table (excerpt)

Character	Decimal	Hexadecimal	Character	Decimal	Hexadecimal
Space	32	20	H	72	48
-	45	2D	I	73	49
0	48	30	J	74	4A
1	49	31	K	75	4B
2	50	32	L	76	4C
3	51	33	M	77	4D
4	52	34	N	78	4E
5	53	35	O	79	4F
6	54	36	P	80	50
7	55	37	Q	81	51
8	56	38	R	82	52
9	57	39	S	83	53
A	65	41	T	84	54
B	66	42	U	85	55
C	67	43	V	86	56
D	68	44	W	87	57
E	69	45	X	88	58
F	70	46	Y	89	59
G	71	47	Z	90	5A

List of Abbreviations

Abbreviations used with the SINAMICS G120 Products:

Abbreviation	Meaning
A	
AC	Alternating current
A/D	Analog digital converter
ADR	Address
AFM	Additional frequency modification
AG	Automation unit
AI	Analog input
AK	Request identifier
AO	Analog output
ASIC	Application specific integrated circuit
ASP	Analog setpoint
ASVM	Asymmetric space vector modulation
B	
BCC	Block check character
BCD	Binary-coded decimal code
BI	Binector input
BIA	Berufsgenossenschaftliches Institut für Arbeitssicherheit
BICO	Binector/connector
BO	Binector output
BOP	Basic Operator Panel
C	
C	Commissioning
CB	Communication board
CCW	Counter-Clockwise
CDS	Command Data Set
CI	Connector Input
CM	Configuration Management
CMD	Command
CO	Connector Output
CO/BO	Connector Output/Binector Output
COM	Common contact of a change-over relay (terminal is connected to NO or NC)
CU	Control unit
CW	Clockwise

Abbreviation	Meaning
D	
D/A	Digital Analog Converter
DC	Digital Analog Converter
DDS	Drive Data Set
DI	Digital Input
DIP	DIP Switch
DO	Digital Output
DP	Distributed I/Os
DS	Drive State
E	
ECD	Equivalent Circuit Diagram
EEC	European Economic Community
EEPROM	Electrical Erasable Programmable Read-Only Memory
ELCB	Earth Leakage Circuit Breaker
EMC	Electromagnetic Compatibility
EMF	Electromagnetic Force
ES	Engineering System
F	
FAQ	Frequently Asked Question
FB	Function Block
FCC	Flux Current Control
FCL	Fast Current Limiting
FF	Fixed Frequency
FFB	Free Function Block
FLB	Flat Top Modulation
FOC	Field Orientated Control
FP	Function Diagram
FREQ	Frequency
FSA	Frame Size A
FSB	Frame Size B
FSC	Frame Size C
FSD	Frame Size D
FSE	Frame Size E
FSF	Frame Size F
G	
GSD	Device data file (Geräte Stamm Datei)
GSG	Getting Started Guide
GUI ID	Global Unique Identifier
H	
HIW	Main Actual Value
HMI	Human Machine Interface

Abbreviation	Meaning
HO	High Overload (Constant Torque)
HSW	Main Setpoint
HTL	High-Threshold Logic
I	
IASC	Internal Armature Short-Circuit
IBN	Commissioning
IGBT	Insulated Gate Bipolar Transistor
I/O	Input/Output
IOP	Intelligent Operator Panel
J	
JOG	Jogging
K	
KDV	Data Cross Check
KIB	Kinetic buffering
L	
LCD	Liquid Crystal Display
LED	Light Emitting Diode
LGE	Length
LO	Light Overload (Variable Torque)
LWL	Fiber Optic Conductor
M	
MHB	Motor Holding Brake
MLP	Multi-Language Pack
MOP	Motor Operated Potentiometer
N	
NC	Normally Closed Contact
NEMA	National Electrical Manufacturers Association
NO	Normally Open Contact
O	
OLM	Optical Link Module
OLP	Optical Link Plug
OP	Operator Panel
OPI	Operating Instruction
P	
P1	Processor 1
P2	Processor 2
PID	Proportional Integral Differential
PKE	Parameter ID
PKW	Parameter ID Value Area (Parameter Kennung Wert)
PLC	Programmable Logic Control
PM	Power Module

Abbreviation	Meaning
PM-IF	Power Module Interface
PPO	Parameter Process Data Object
PTC	Positive Temperature Coefficient
PWE	Parameter Value
PWM	Pulse Width Modulation
pxxxx	Write parameter
PZD	Process Data Area (Prozessdaten)
Q	
QC	Quick commissioning
R	
RAM	Random Access memory
RCCB	Residual Current Circuit Breaker
RCD	Residual Current Device
RFG	Ramp-Function Generator
RFI	Radio Frequency Interference
ROM	Read-Only Memory
RPM	Revolutions Per Minute
rxxxx	Read-only parameters of analogue signals
S	
SBC	Safe Break Control
SLS	Safe-Limited Speed
SLVC	Sensorless Vector Control
SOL	Serial Option Link
SS1	Safe Stop 1
STO	Safe Torque Off
STW	Control Word
STX	Start of Text
SVM	Space Vector Modulation
T	
TTL	Transistor-Transistor Logic
U	
USS	Universal Serial Interface
V	
V/f	Voltage/frequency
VC	Vector Control
VT	Variable Torque
W	
WEA	Automatic Restart
Z	
ZSW	Status Word
ZUSW	Additional Setpoint

Index

C

Numbers

- 1020
 - Explanation of the symbols (Part 1), 2-285
- 1021
 - Explanation of the symbols (Part 2), 2-286
- 1022
 - Explanation of the symbols (Part 3), 2-287
- 1030
 - Handling BICO technology, 2-288
- 1520
 - PROFIdrive/PROFIBUS, 2-290
- 1530
 - Internal control/status words, data sets, 2-291
- 1550
 - Setpoint channel, 2-292
- 1690
 - Vector control, V/f control, 2-293
- 1700
 - Vector control, speed control and generation of the torque limits, 2-294
- 1710
 - Vector control, current control, 2-295
- 1750
 - Monitoring functions, faults, alarms, 2-296
- 2220
 - Digital inputs, electrically isolated (DI0 ... DI5), 2-298
- 2223
 - Analog inputs as Digital inputs (DI11), 2-299
- 2230
 - Digital outputs (DO0 ... DO1), 2-300
- 2410
 - PROFIBUS, addresses and diagnostics, 2-311
- 2420
 - Telegrams and Process Data (PZD), 2-312
- 2440
 - PZD receive signals interconnection, 2-313
- 2441
 - STW1 control word interconnection (p2038 = 2), 2-314
- 2442
 - STW1 control word interconnection (p2038 = 0), 2-315
- 2444
 - STW3 control word interconnection (p2038 = 0), 2-316
- 2450
 - PZD send signals interconnection, 2-317
- 2451
 - ZSW1 status word interconnection (p2038 = 2), 2-318
- 2452
 - ZSW1 status word interconnection (p2038 = 0), 2-319, 2-320
- 2468
 - Receive telegram, free interconnection via BICO (p0922 = 999), 2-321
- 2470
 - Send telegram, free interconnection via BICO (p0922 = 999), 2-322
- 2501
 - Control word, sequence control, 2-331
- 2503
 - Status word, sequence control, 2-332
- 2505
 - Control word, setpoint channel, 2-333
- 2510
 - Status word 1 (r0052), 2-334
- 2511
 - Status word 2 (r0053), 2-335
- 2512
 - Control word 1 (r0054), 2-336
- 2513
 - Control word 2 (r0055), 2-337
- 2522
 - Status word, speed controller, 2-338
- 2526
 - Status word, closed-loop control, 2-339
- 2530
 - Status word, current control, 2-340

- 2534
 - Status word, monitoring functions 1, 2-341
- 2536
 - Status word, monitoring functions 2, 2-342
- 2537
 - Status word, monitoring functions 3, 2-343
- 2546
 - Control word, faults/alarms, 2-344
- 2548
 - Status word, faults/alarms 1 and 2, 2-345
- 2634
 - Sequence control - Missing enable signals, 2-346
- 2701
 - Basic braking control, 2-348
- 2800
 - Basic Functions, Parameter Manager, 2-350
- 2802
 - Basic Functions, Monitoring functions and faults/alarms, 2-351
- 2804
 - Basic Functions, Status words, 2-352
- 2810
 - Basic Functions, STO Safe Torque Off, 2-353
- 2812
 - Basic Functions, F-DI Fail-safe Digital Input, 2-354
- 3010
 - Fixed speed setpoints, binary selection (p1016 = 2), 2-356
- 3011
 - Fixed speed setpoints, direct selection (p1016 = 1), 2-357
- 3020
 - Motorized potentiometer, 2-358
- 3030
 - Main/supplementary setpoint, setpoint scaling, jogging, 2-359
- 3040
 - Direction limitation and direction reversal, 2-360
- 3050
 - Skip frequency bands and frequency limitations, 2-361
- 3070
 - Extended ramp-function generator, 2-362
- 6030
 - Speed setpoint, droop, 2-368
- 6040
 - Speed controller, 2-369
- 6060
 - Torque setpoint, 2-370
- 6220
 - Vdc_max controller and Vdc_min controller (Vector control), 2-371
- 6300
 - V/f characteristic and voltage boost, 2-364
- 6310
 - Resonance damping and slip compensation, 2-365
- 6320
 - Vdc_max controller and Vdc_min controller (V/f control), 2-366
- 6630
 - Upper/lower torque limit, 2-372
- 6640
 - Current/power/torque limits, 2-373
- 6710
 - Current setpoint filter, 2-374
- 6714
 - Iq and Id controllers, 2-375
- 6721
 - Id setpoint (PEM, p0300 = 2xx), 2-376
- 6722
 - Field weakening characteristic, Id setpoint (ASM, p0300 = 1), 2-377
- 6723
 - Field weakening controller, flux controller (ASM, p0300 = 1), 2-378
- 6724
 - Field weakening controller (PEM, p0300 = 2), 2-379
- 6730
 - Interface of the Power Module (ASM, p0300 = 1), 2-380
- 6731
 - Interface of the Power Module (PEM, p0300 = 2), 2-381
- 6799
 - Display signals, 2-382
- 7017
 - DC brake (p0300 = 1), 2-384
- 7950
 - Fixed values, binary selection (p2216 = 2), 2-386
- 7951
 - Fixed values, direct selection (p2216 = 1), 2-387
- 7954
 - Motorized potentiometer, 2-388

- 7958
 - Closed-loop control, 2-389
 - 8010
 - Speed signals 1, 2-391
 - 8011
 - Speed signals 2, 2-392
 - 8012
 - Torque signals, motor locked/stalled, 2-393
 - 8014
 - Thermal monitoring, power module, 2-394
 - 8016
 - Thermal monitoring, motor, 2-395
 - 8017
 - Thermal I2t motor model (PEM, p0300 = 2xx), 2-396
 - 8020
 - Monitoring functions 1, 2-397
 - 8021
 - Monitoring functions 2, 2-398
 - 8060
 - Fault buffer, 2-400
 - 8065
 - Warning buffer, 2-401
 - 8070
 - Fault/warning trigger word (r2129), 2-402
 - 8075
 - Fault/warning configuration, 2-403
 - 8560
 - Command Data Sets (CDS), 2-405
 - 9204
 - Receive telegram, free PDO mapping (p8744 = 2), 2-324
 - 9206
 - Receive telegram, Predefined Connection Set (p8744 = 1), 2-325
 - 9208
 - Send telegram, free PDO mapping (p8744 = 2), 2-326
 - 9210
 - Send telegram, Predefined Connection Set (p8744 = 1), 2-327
 - 9220
 - Control word, CANopen, 2-328
 - 9226
 - Status word, CANopen, 2-329
 - 9310
 - Configuration, addresses and diagnostics, 2-305
 - 9342
 - STW1 control word interconnection, 2-306
 - 9352
 - ZSW1 status word interconnection, 2-307
 - 9360
 - Receive telegram, free interconnection via BICO, 2-308
 - 9370
 - Send telegram, free interconnection via BICO, 2-309
 - 9567
 - Analog input 0 (AI0), 2-301
 - 9573
 - Analog outputs 0 (AO0), 2-302
- A**
- Acknowledgement
 - IMMEDIATELY, 3-411
 - POWER ON, 3-411
 - Adjustable parameters, 1-8
 - Alarm
 - Display, 3-408
 - General, 3-408
 - How to distinguish from a fault, 3-409
 - List of Alarm messages, 3-412
 - Analog inputs, 2-297
 - Analog outputs, 2-297
 - ASCII Table, A-472
- B**
- Bit field (Parameters), 1-14
 - Braking control, 2-347
- C**
- Calculated (Parameters), 1-11
 - Can be changed (Parameters), 1-12
 - Command Data Set, 2-404
 - Contents
 - Contents overview, Inhalt-5
 - List of Abbreviations, B-473
- D**
- Data set (Parameters), 1-12
 - Data sets, 2-404
 - Data type (Parameters), 1-10
 - DCBRK, 3-410
 - Dependency (Parameters), 1-14
 - Description (Parameters), 1-14
 - Digital inputs, 2-297
 - Digital outputs, 2-297
 - Display
 - Alarms, 3-408
 - Faults, 3-408
 - Drive Data Set, 2-404

F

- Fault
 - Acknowledgement, 3-411
 - Display, 3-408
 - Fault reactions, 3-410
 - General, 3-408
 - How to distinguish from an alarm, 3-409
- Fault messages
 - List of all Fault messages, 3-412
- Fault reactions, 3-410
- Fixed values, 2-386, 2-387
- Function diagrams Braking control
 - Basic braking control, 2-348
- Function diagrams CANopen
 - Control word, CANopen, 2-328
 - Receive telegram, free PDO mapping (p8744 = 2), 2-324
 - Receive telegram, Predefined Connection Set (p8744 = 1), 2-325
 - Send telegram, free PDO mapping (p8744 = 2), 2-326
 - Send telegram, Predefined Connection Set (p8744 = 1), 2-327
 - Status word, CANopen, 2-329
- Function diagrams Data sets
 - Command Data Sets (CDS), 2-405
- Function diagrams Faults and warnings
 - Fault buffer, 2-400
 - Fault/warning configuration, 2-403
 - Fault/warning trigger word (r2129), 2-402
 - Warning buffer, 2-401
- Function diagrams Fieldbus Interface
 - Configuration, addresses and diagnostics, 2-305
 - Receive telegram, free interconnection via BICO, 2-308
 - Send telegram, free interconnection via BICO, 2-309
 - STW1 control word interconnection, 2-306
 - ZSW1 status word interconnection, 2-307
- Function diagrams General
 - Explanation of the symbols (Part 1), 2-285
 - Explanation of the symbols (Part 2), 2-286
 - Explanation of the symbols (Part 3), 2-287
 - Handling BICO technology, 2-288
- Function diagrams Input/Output Terminals
 - Analog input 0 (AI0), 2-301
 - Analog inputs as Digital inputs (DI11), 2-299
 - Analog output 0 (AO0), 2-302
 - Digital inputs, electrically isolated (DI0 ... DI5), 2-298
 - Digital outputs (DO0 ... DO1), 2-300
- Function diagrams Internal control/status words
 - Control word 1 (r0054), 2-336
 - Control word 2 (r0055), 2-337
 - Control word, faults/alarms, 2-344
 - Control word, sequence control, 2-331
 - Control word, setpoint channel, 2-333
 - Sequence control - Missing enable signals, 2-346
 - Status word 1 (r0052), 2-334
 - Status word 2 (r0053), 2-335
 - Status word, closed-loop control, 2-339
 - Status word, current control, 2-340
 - Status word, faults/alarms 1 and 2, 2-345
 - Status word, monitoring functions 1, 2-341
 - Status word, monitoring functions 2, 2-342
 - Status word, monitoring functions 3, 2-343
 - Status word, sequence control, 2-332
 - Status word, speed controller, 2-338
- Function diagrams Overview
 - Internal control/status words, data sets, 2-291
 - Monitoring functions, faults, alarms, 2-296
 - PROFIdrive/PROFIBUS, 2-290
 - Setpoint channel, 2-292
 - Vector control, current control, 2-295
 - Vector control, speed control and generation of the torque limits, 2-294
 - Vectorcontrol, V/f control, 2-293

- Function diagrams PROFdrive
 - PROFIBUS, addresses and diagnostics, 2-311
 - PZD receive signals interconnection, 2-313
 - PZD send signals interconnection, 2-317
 - Receive telegram, free interconnection via BICO (p0922 = 999), 2-321
 - Send telegram, free interconnection via BICO (p0922 = 999), 2-322
 - STW1 control word interconnection (p2038 = 0), 2-315
 - STW1 control word interconnection (p2038 = 2), 2-314
 - STW3 control word interconnection (p2038 = 0), 2-316
 - Telegrams and Process Data (PZD), 2-312
 - ZSW1 status word interconnection (p2038 = 0), 2-319, 2-320
 - ZSW1 status word interconnection (p2038 = 2), 2-318
- Function diagrams Safety Integrated
 - Basic Functions, F-DI Fail-safe Digital Input, 2-354
 - Basic Functions, Monitoring functions and faults/alarms, 2-351
 - Basic Functions, Parameter Manager, 2-350
 - Basic Functions, Status words, 2-352
 - Basic Functions, STO Safe Torque Off, 2-353
- Function diagrams Setpoint channel
 - Direction limitation and direction reversal, 2-360
 - Extended ramp-function generator, 2-362
 - Fixed speed setpoints, binary selection (p1016 = 2), 2-356
 - Fixed speed setpoints, direct selection (p1016 = 1), 2-357
 - Main/supplementary setpoint, setpoint scaling, jogging, 2-359
 - Motorized potentiometer, 2-358
 - Skip frequency bands and frequency limitations, 2-361
- Function diagrams Signals and monitoring functions
 - Monitoring functions 1, 2-397
 - Monitoring functions 2, 2-398
 - Speed signals 1, 2-391
 - Speed signals 2, 2-392
 - Thermal I2t motor model (PEM, p0300 = 2xx), 2-396
 - Thermal monitoring, motor, 2-395
 - Thermal monitoring, power module, 2-394
 - Torque signals, motor locked/stalled, 2-393
- Function diagrams Technology controller
 - Closed-loop control, 2-389
 - Fixed values, binary selection (p2216 = 2), 2-386
 - Fixed values, direct selection (p2216 = 1), 2-387
 - Motorized potentiometer, 2-388
- Function diagrams Technology functions
 - DC brake (p0300 = 1), 2-384
- Function diagrams V/f control
 - Resonance damping and slip compensation, 2-365
 - V/f characteristic and voltage boost, 2-364
 - Vdc_max controller and Vdc_min controller (V/f control), 2-366
- Function diagrams Vector control
 - Current setpoint filter, 2-374
 - Current/power/torque limits, 2-373
 - Display signals, 2-382
 - Field weakening characteristic, Id setpoint (ASM, p0300 = 1), 2-377
 - Field weakening controller (PEM, p0300 = 2), 2-379
 - Field weakening controller, flux controller (ASM, p0300 = 1), 2-378
 - Id setpoint (PEM, p0300 = 2xx), 2-376
 - Interface of the Power Module (ASM, p0300 = 1), 2-380
 - Interface of the Power Module (PEM, p0300 = 2), 2-381
 - Iq and Id controllers, 2-375
 - Speed controller, 2-369
 - Speed setpoint, droop, 2-368
 - Torque setpoint, 2-370
 - Upper/lower torque limit, 2-372
 - Vdc_max controller and Vdc_min controller (Vector control), 2-371

G

General

- faults and alarms, 3-408
- Function Diagrams, 2-284
- Parameters, 1-8

I

IASC, 3-410

Index

- Parameters, 1-8, 1-14

Input/Output Terminals

- Analog inputs, 2-297
- Analog outputs, 2-297
- Digital inputs, 2-297
- Digital outputs, 2-297

L

List of Abbreviations, B-473

Lists

- Abbreviations, B-473
- ASCII Table, A-472
- Binector Input Parameters, 1-270
- Binector Output Parameters, 1-271
- Command Data Sets, 1-264
- Connector Input Parameters, 1-271
- Connector Output Parameters, 1-272
- Connector/Binector Output Parameters, 1-274
- Drive Data Sets, 1-265
- Fault- and Alarm messages, 3-412
- Motor Data Sets, 1-268
- Parameters all, 1-16
- Power module Data Sets, 1-270
- Quick commissioning, 1-276

M

Motorized potentiometer, 2-388

N

Name

- Parameters, 1-9

Number

- Parameters, 1-8

O

- OFF1, 3-410
- OFF2, 3-410
- OFF3, 3-410

P

Parameters

- Binector Input Parameters, 1-270
- Binector Output, 1-271
- Bit field, 1-14
- Calculated, 1-11
- Can be changed, 1-12
- Command Data Sets, 1-264
- Connector Input, 1-271
- Connector Output, 1-272
- Connector/Binector Output, 1-274
- Data set, 1-12
- Data type, 1-10
- Dependency, 1-14
- Description, 1-14
- Drive Data Sets, 1-265
- Index, 1-8, 1-14
- List of all Parameters, 1-16
- Long name, 1-9
- Motor Data Sets, 1-268
- Name, 1-9
- Number, 1-8
- Power module Data Sets, 1-270
- Quick commissioning, 1-276
- Recommendation, 1-14
- Scaling, 1-11
- Short name, 1-9
- Text, 1-9
- Unit, 1-12
- Unit group, 1-12
- Unit selection, 1-12
- Values, 1-14

R

Recommendation (Parameters), 1-14

S

Safety Integrated

- Basic Functions, 2-349
- Extended Functions, 2-349

Scaling (Parameters), 1-11

STOP2, 3-410

U

- Unit (Parameters), 1-12
- Unit group (Parameters), 1-12
- Unit selection (Parameters), 1-12

V

- Values (Parameters), 1-14
- Visualization parameters, 1-8

Siemens AG
Industry Sector
Drive Technologies
Motion Control Systems
Postfach 3180
91050 ERLANGEN
GERMANY

Subject to change without prior notice
© Siemens AG 2011

www.siemens.com/sinamics-g120