

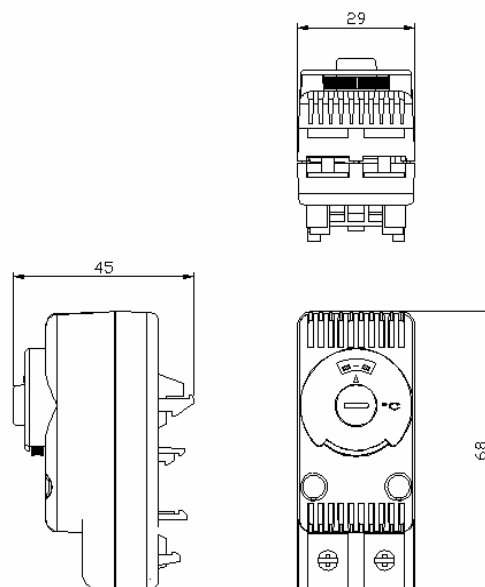
Thermostat Code: **TRT-10A230V-NC**

Description: **Thermostat normally closed**


MECHANICAL SPECIFICATIONS

- Type of control: **Temperature sensing control. Contact open on rise to control heaters**
- Temperature sensing element: **Bi-metallic**
- Degree of protection by enclosure: **IP20**
- Electrical connection: **2 screw terminals for 2 conductors size: from 0.75mm² to 2.5mm²**
- Method of mounting: **Snap-on fixing on profile rail. (In addition, the user can choose to fix the thermostat on rail with the 2 screws included in the kit)**
- Enclosure material: **Plastic UL94V-0. Standard colour is grey RAL 7032**
- External dimensions: **68x29x45mm**
- Weight: **48g**

DRAWING [mm]



OPERATING FEATURES and APPROVALS

- Setting temperature range: **From -10°C to +80°C**
- Differential (referred to set point): **- 3 °K**
- Manufacturing deviation: **± 3 °K**
- Rated voltage range: **110 – 250 Va.c.**
- Type of load / Max rated current: **Resistive load / 10 A**
- Contact current carrying capacity: **15 A**
- Endurance: **> 100,000 cycles**
- Applicable standard: **EN 60730-1**
- Approvals: 

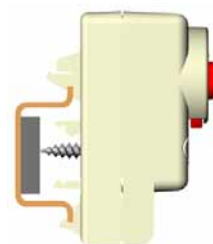
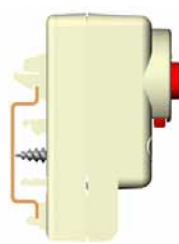
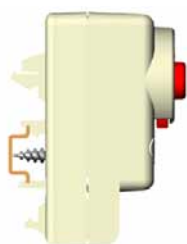
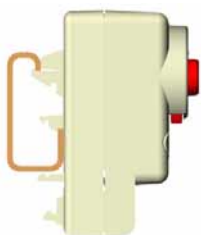
METHOD OF MOUNTING

rail 32x15mm
DIN 46 277/1
EN 50 035

rail 15x5,5mm
DIN 46 277/2
EN 50 045

rail 35x7,5mm
DIN 46 277/3
EN 50 022

rail 35x15mm
DIN 46 277/3
EN 50 022



All specifications, data and drawings are subject to change without notice and are approximate.

CST-A02/2