

SL1016 Series

CHOKE COILS SL TYPE

FEATURES

- Low Cost
- Wide Range of Inductance
- High Reliability

ELECTRICAL PARAMETERS

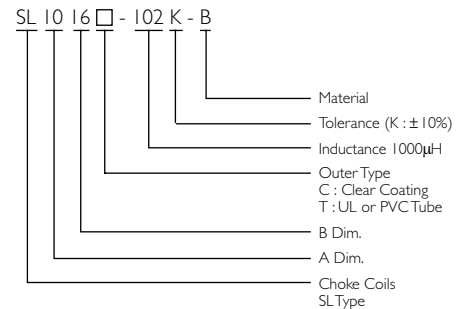
ITEM	INDUCTANCE L (μ H)	D.C. RESISTANCE Max. (Ω)	IDC (A)
SL1016□-4R7K-B	4.7	0.018	10
SL1016□-6R8K-B	6.8	0.020	10
SL1016□-8R2K-B	8.2	0.022	10
SL1016□-100K-B	10	0.027	7.6
SL1016□-120K-B	12	0.024	7.5
SL1016□-150K-B	15	0.031	6.5
SL1016□-180K-B	18	0.039	6.0
SL1016□-220K-B	22	0.039	5.4
SL1016□-330K-B	33	0.047	4.4
SL1016□-470K-B	47	0.053	3.8
SL1016□-560K-B	56	0.068	3.4
SL1016□-680K-B	68	0.078	3.0
SL1016□-101K-B	100	0.099	2.5
SL1016□-121K-B	120	0.128	2.0
SL1016□-151K-B	150	0.182	1.8
SL1016□-181K-B	180	0.195	1.6
SL1016□-221K-B	220	0.312	1.4
SL1016□-271K-B	270	0.32	1.3
SL1016□-331K-B	330	0.39	1.2
SL1016□-391K-B	390	0.40	1.1
SL1016□-471K-B	470	0.49	1.0
SL1016□-561K-B	560	0.52	0.95
SL1016□-681K-B	680	0.88	0.80
SL1016□-821K-B	820	0.89	0.75
SL1016□-102K-B	1000	1.50	0.65
SL1016□-122K-B	1200	1.15	0.60
SL1016□-152K-B	1500	1.3	0.52
SL1016□-182K-B	1800	1.9	0.50
SL1016□-222K-B	2200	2.0	0.45
SL1016□-332K-B	3300	4.6	0.35
SL1016□-472K-B	4700	5.6	0.30
SL1016□-682K-B	6800	7.0	0.25
SL1016□-752K-B	7500	7.7	0.24
SL1016□-822K-B	8200	10.4	0.23
SL1016□-103K-B	10000	11.7	0.18
SL1016□-123K-B	12000	13.8	0.16
SL1016□-153K-B	15000	15.6	0.15
SL1016□-223K-B	22000	23.4	0.10

TEST INSTRUMENTS

- L : HP 4263B @ 1kHz, 1V
- RDC : CHEN HWA502BC
- IDC : CHEN HWA CHI061+301A
- Customers' specifications are welcome.



PRODUCT IDENTIFICATION



DIMENSIONS

Dimensions : mm

