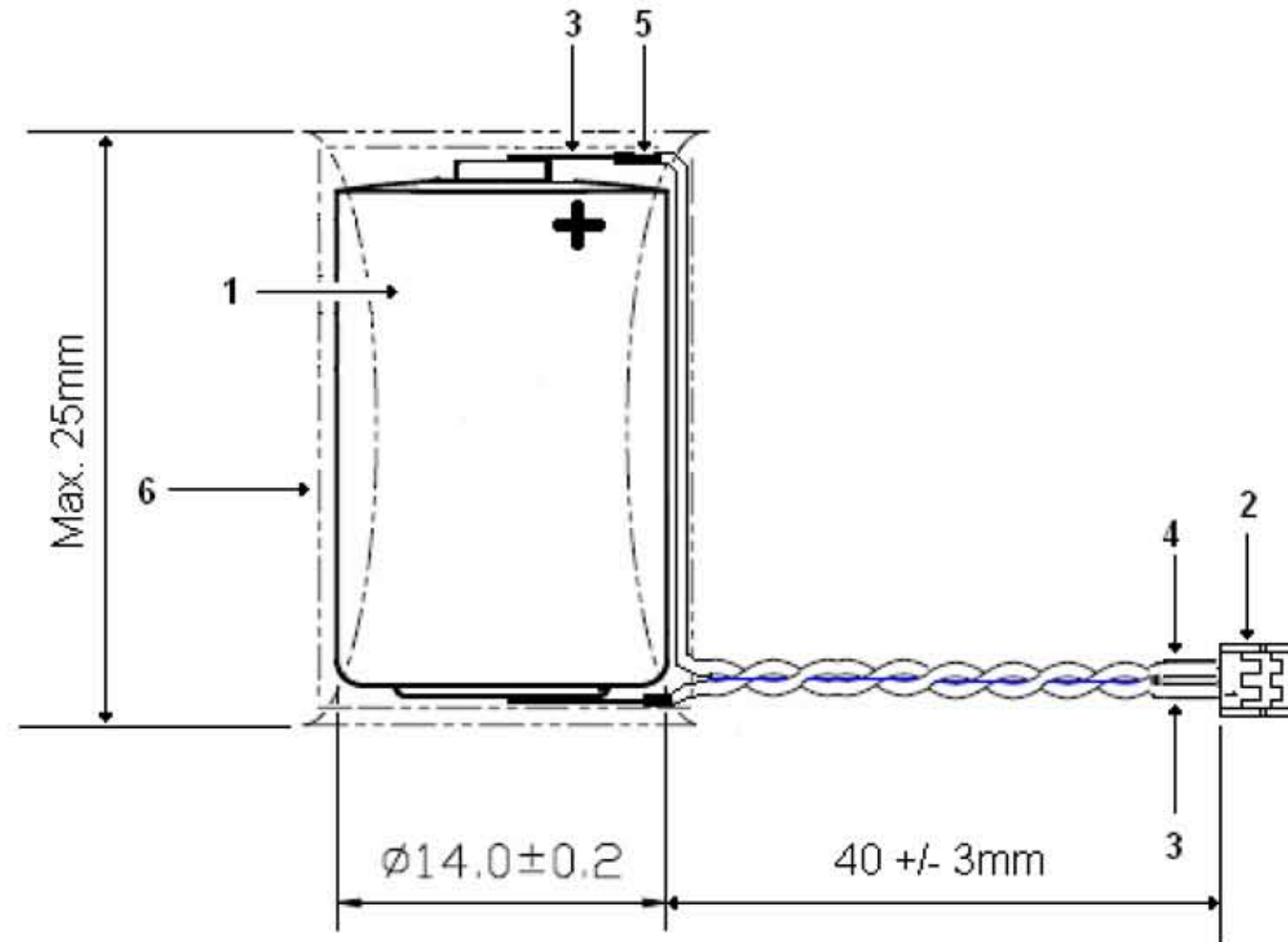


| A M E N | NO. | Date | Revision | Sign |
|------------------|-----|------|----------|------|
| | ① | | | |
| | ② | | | |
| | ③ | | | |



Remarks

1. XL-050F: Lithium Battery, 3.6V, 1/2AA size, 1.2Ah
2. Connector: JST PHR-2
3. Wire: Red, AWG 24, on (+) Terminal
4. Wire: Black, AWG 24, on (-) Terminal
5. Nickel Lead: T=0.1mm, W=3mm
6. Insulator tube: Polyolefin x 2
7. Shrinkable Tube: PVC, Transparent, T=0.1mm, x 2

| | | | | | | |
|------------|----------|---|----------|--------------------------------|------------|-------|
| Gen.Tol | | Title | | | | |
| Surface | | TME XL-050F/1S1P/ C&W PHR2 | | | | |
| App.Model | | | | | | |
| Projection | | | | | | |
| Material | | Size | Unit | File No | Date | Scale |
| | | A4 | mm | | 29/04/2010 | |
| Drawing | Designed | Checked | Approved | Part No. S11-0050-10-45 | | |
| | | | | | | |

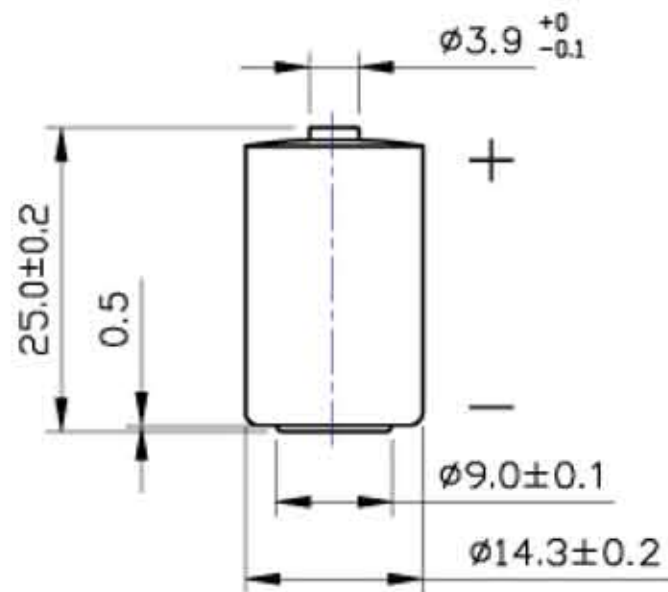
SPECIFICATIONS

(Typical values for batteries stored at 20°C for one year)

| | |
|--|---------------------|
| Nominal Capacity (At 1mA/20°C/68°F/2.0V Cut-Off) | 1.2 Ah |
| Open Circuit Voltage (At 20°C/68°F) | 3.67 V |
| Nominal Voltage (At 1mA/20°C/68°F) | 3.6 V |
| Maximum Continuous Current | 50 mA |
| Maximum Pulse Current Capability | 100 mA |
| Operating Temperature Range | -55 ~ 85°C |
| Weight | 9.2 g (0.32 oz) |
| Anode Surface Area | 6 cm ² |
| Volume | 4.3 cm ³ |
| Diameter (Max) | 14.5 mm |
| Height (Max) | 25.2 mm |

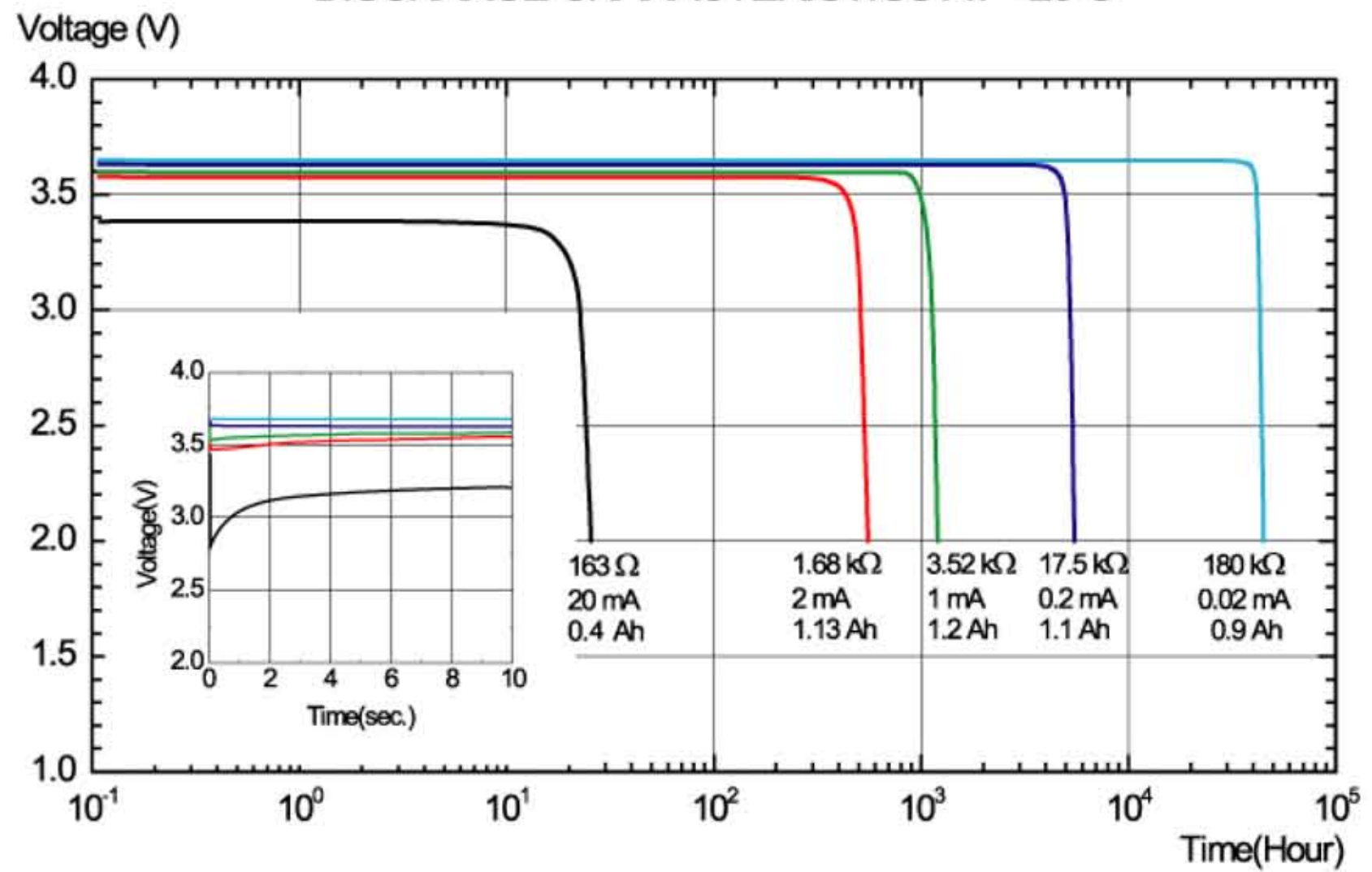


DIMENSIONS IN MM

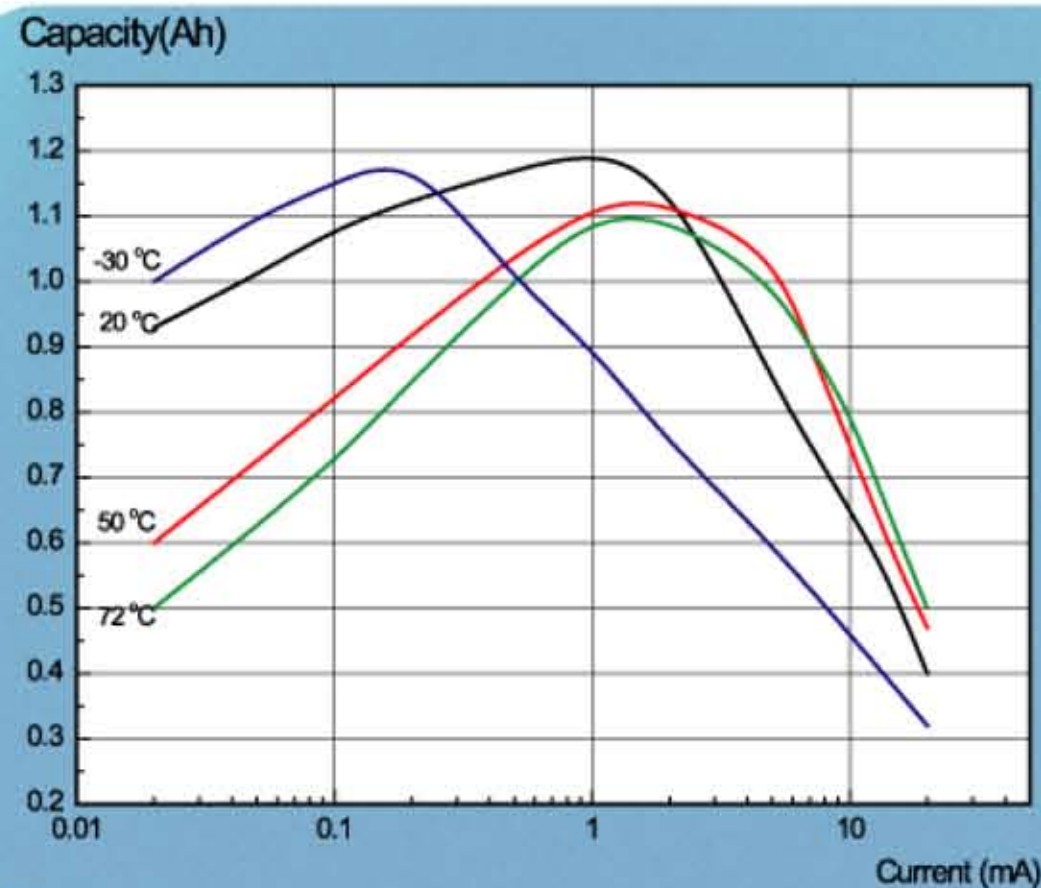


WARNING
 Fire, Explosion And Severe Burn Hazard.
 Do Not Recharge, Crush, Disassemble,
 Heat Above 212°F(100°C), Incinerate
 Or Expose Contents To Water

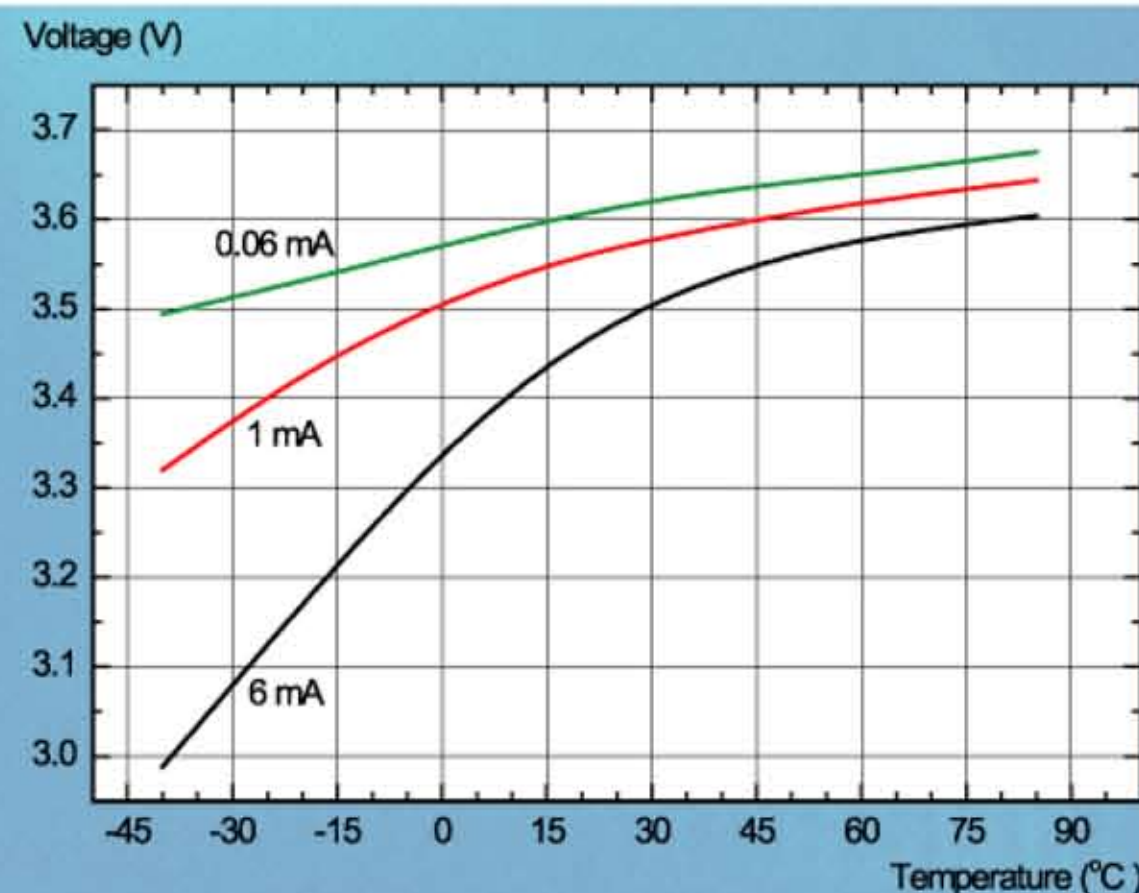
DISCHARGE CHARACTERISTICS AT +20°C



CAPACITY VS. CURRENT



OPERATING VOLTAGE



Any values in product catalogues are for informational purposes only.
 They can also differ from actual conditions of usage and are not warranties of future performance.