

Rotating Mirror- / Revolving Signal Beacon / Rotating Mirror Beacon 885
Rotating Mirror Beacon RM 24VAC/DC YE

Part No.: 885.320.75

**MECHANICAL DATA**

Height	268 mm
Diameter	98 mm
Materials	PC PC/ABS
Cap colour	Yellow
Housing colour	Black
Protection category	IP54
Connection	Plug-in connection
Cable entry	Rubber pinch
Cable entry minimum	d = 5 mm
Cable entry maximum	d = 7 mm
Type of fixing	Tube mounting
Service life optical	5,000 h minimum
Working temperature minimum	-30°C
Working temperature maximum	+50°C
Weight with packaging in g	621 g
Product weight in g	442 g

ELECTRICAL DATA

Operating voltage	24V
Operating voltage type	AC/DC
Rated operational current	1000
Rated inrush current	2.000 mA

OPTICAL DATA

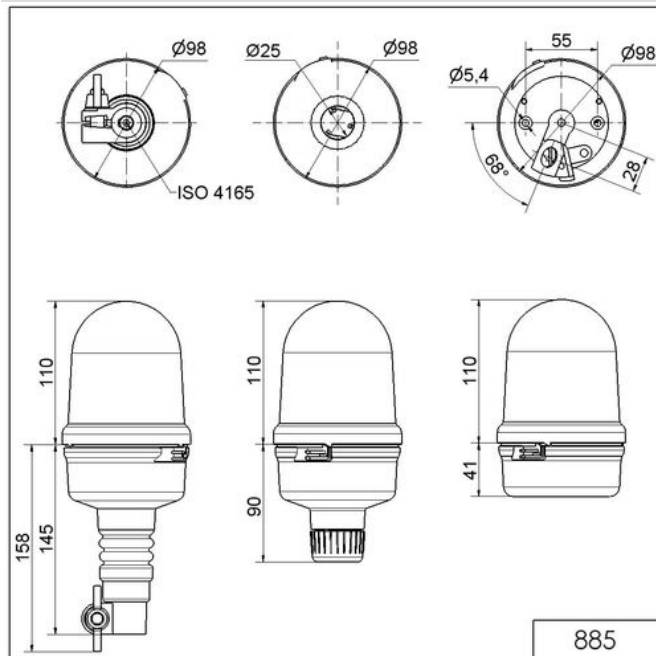
Light source	halogen bulb
Light colour	Yellow
Rotation frequency (rpm)	180 U/min



For additional installation and mounting information, refer to the appropriate user guide at www.werma.com. This printed copy is for information only and is subject to alteration.

Rotating Mirror- / Revolving Signal Beacon / Rotating Mirror Beacon 885
Rotating Mirror Beacon RM 24VAC/DC YE

DRAWING



! For additional installation and mounting information, refer to the appropriate user guide at www.werma.com. This printed copy is for information only and is subject to alteration.