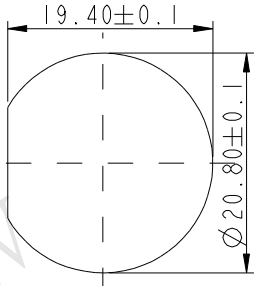
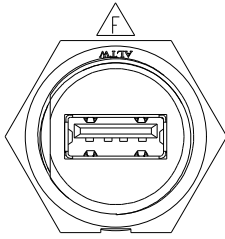
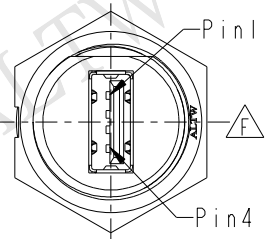
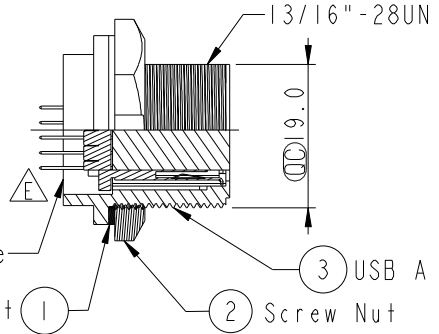
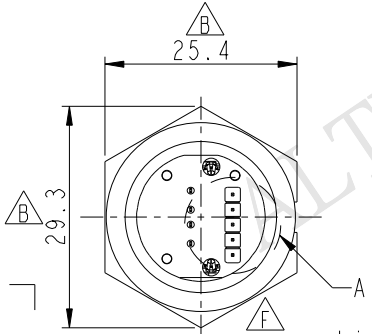
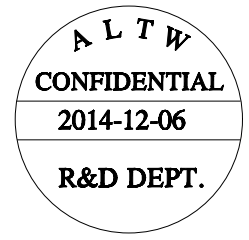
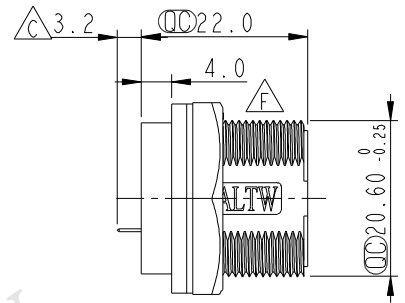
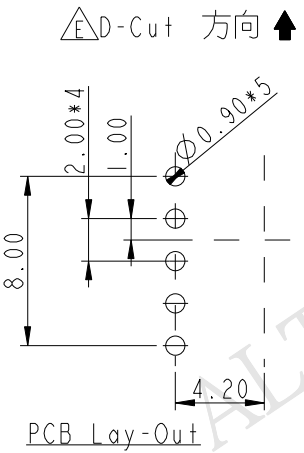
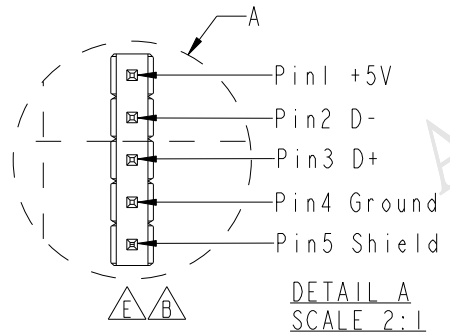


REV.	ECN NO.	DATE	SIGN	DESCRIPTION
D	LEN-7B0136	2007/11/15	Gao Ling	Modify Panel Thickness
E	LEN-880514	2008/08/18	Kathy Huang	Change The Pin Position
F	LEN1530157	2014/12/05	Jinhai	Change Logo LTW To ALTW



Pin Assignments  
Front View

Recommended  
Panel Cut-Out

- Note:
- \*  $\varnothing$  Important Dimensions.
  - \* Waterproof Rate: IP68
  - \* USB A: Female PCB Type, Gold Plated
  - \* Use with waterproof cap or dust cap For Panel Thickness Max: 2.8mm
  - \* Use without waterproof cap or dust cap For Panel Thickness Max: 4.0mm

UNIT:mm		
TOLERANCE	.X ±0.25	
.XX ±0.1		
.XXX ±0.05		
ANGLES	±1°	

TITLE USB, Panel Screw M Conn. F Pin			
SCALE 1:1	SIZE A4	SHEET 1 OF 1	
REV. F	WC-REV. A.5	QC: Inspection item	

**Amphenol LTW**  
安費諾亮泰企業股份有限公司

ITEM NO UA-20PMFP-SC8001	DRAWN BY Jinhai	DATE 2014-12-05
DWG NO UA-20PMFP-SC8001	CHECKED BY Tom	DATE 2014-12-05
CUSTOMER ALTW	APPROVED BY Jerry	DATE 2014-12-05

THIS DOCUMENT IS SUBJECT TO CHANGE WITHOUT NOTICE. IT IS CONFIDENTIAL AND A PROPERTY OF Amphenol LTW. DISCLOSURE TO THIRD PARTY HAS TO BE AUTHORIZED BY Amphenol LTW.