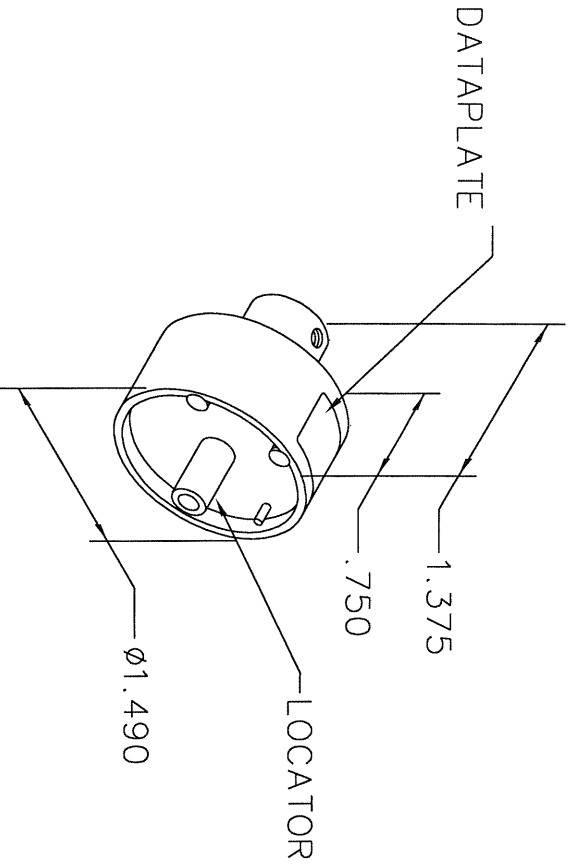


REVISIONS				
REV. SYM.	E.C.O. NUMBER	DESCRIPTION	BY DATE	APP'D DATE
1		ORIGINAL RELEASE	JWS 8-14-86	AAM 8-14-86



**UNCONTROLLED DOCUMENT
WILL NOT BE UPDATED**

REF. CONTACTS	CONTACT SIZE	20	18	16	WIRE SIZE
HE621-P-16-S-16-1	16	4	5	6	SELECTOR NUMBER
HE621-S-16-S-16-1					

DATAPLATE

LOCATOR	
HOLE DIMENSIONS	ADDITIONAL FEATURES
ø.114 ∇.780	┌┐ ø.126 ∇.059

RESTRICTED & CONFIDENTIAL

CONFIDENTIAL PROPERTY OF DANIELS MANUFACTURING CORP. NOT TO BE DISCLOSED TO OTHERS, REPRODUCED OR USED FOR ANY OTHER PURPOSE, EXCEPT AS AUTHORIZED IN WRITING BY DANIELS MANUFACTURING. MUST BE RETURNED TO DANIELS MANUFACTURING CORP. ON COMPLETION OF ORDER OR OTHER PURPOSE FOR WHICH LENT.

DO NOT SCALE DRAWING

DRN.	JWS	DATE
CHK'D.	MGS	DATE
APP'D.	AAM	DATE
APP'D.		DATE

DMG DANIELS MANUFACTURING CORP.
ORLANDO, FLORIDA
CAGE 11851

TITLE: ENVELOPE DRAWING
SINGLE POSITION HEAD

WHERE USED: AFB

SIZE	SCALE	CAD P/N	SHEET	OF
A	NTS	TP617-ENV	1	1
POSTING		DWG. NO.		REV.
		TP617-ENV		1